



US00D412086S

United States Patent [19]

[11] **Patent Number: Des. 412,086**

Bossler

[45] **Date of Patent: ** Jul. 20, 1999**

[54] **LID FOR KETTLE-TYPE BARBECUE GRILL**

[75] Inventor: **Martin C. Bossler**, Columbia, Tenn.

[73] Assignee: **Uniflame, Inc.**, Zion, Ill.

[**] Term: **14 Years**

[21] Appl. No.: **29/077,462**

[22] Filed: **Oct. 6, 1997**

[51] **LOC (6) Cl. 07-02**

[52] **U.S. Cl. D7/402**

[58] **Field of Search** D7/332-338, 402-404,
D7/409; 126/25 R, 25 A, 25 AA, 26, 29-30,
9 R, 41 R, 40, 50, 245; 99/482

[56] **References Cited**

U.S. PATENT DOCUMENTS

D. 219,413	12/1970	Glaser et al. .	
D. 295,135	4/1988	Ogden .	
D. 337,238	7/1993	Chuan	D7/332
D. 337,478	7/1993	Chuan	D7/332
2,299,995	10/1942	Kraemer .	
2,517,320	8/1950	Johnston .	
2,641,243	6/1953	Goss .	
3,025,848	3/1962	Malgesini .	
3,330,266	7/1967	Stephen .	
4,463,746	8/1984	Knuth et al.	126/25 R
4,966,126	10/1990	Wu .	
5,159,917	11/1992	Archer et al.	126/25 R
5,299,553	4/1994	Giebel et al. .	
5,645,041	7/1997	Yu	126/25 R
5,720,272	2/1998	Chiang .	

OTHER PUBLICATIONS

Patent and Trademark Office Trademark Trial and Appeal Board, In re Weber-Stephen Products Co., 3 USPQ2d, decided Jun. 24, 1987, pp. 1660-1670.

1 sheet bearing a photograph of a 14-½ Kettle BBQ—Design offered for sale by UniFlame, Inc. on or about Aug. 1997.

Primary Examiner—Ruth McInroy
Attorney, Agent, or Firm—Greer, Burns & Crain, Ltd.

[57] **CLAIM**

The ornamental design for a lid for kettle-type barbecue grill, as shown and described.

DESCRIPTION

FIG. 1 is a front view of a first embodiment of my new design of a lid for kettle-type barbecue grill, the rear view being identical;

FIG. 2 is a top plan view of a first embodiment of the lid for kettle-type barbecue grill;

FIG. 3 is a side view of a first embodiment of the lid for kettle-type barbecue with both sides being the same;

FIG. 4 is a bottom plan view of a first embodiment thereof;

FIG. 5 is a front view of a second embodiment of my new design of a lid for kettle-type barbecue grill;

FIG. 6 is a top plan view of a second embodiment of the lid for kettle-type barbecue grill thereof;

FIG. 7 is a rear view of a second embodiment thereof;

FIG. 8 is a side view of a second embodiment of the lid for kettle-type barbecue grill with both sides being the same;

FIG. 9 is a bottom plan view of a second embodiment thereof; and,

FIG. 10 is an opposite side view of a second embodiment of the lid for kettle-type barbecue grill.

The handle shown in broken lines in FIGS. 1-3 is for illustrative purposes only and forms no part of the claimed design.

1 Claim, 5 Drawing Sheets

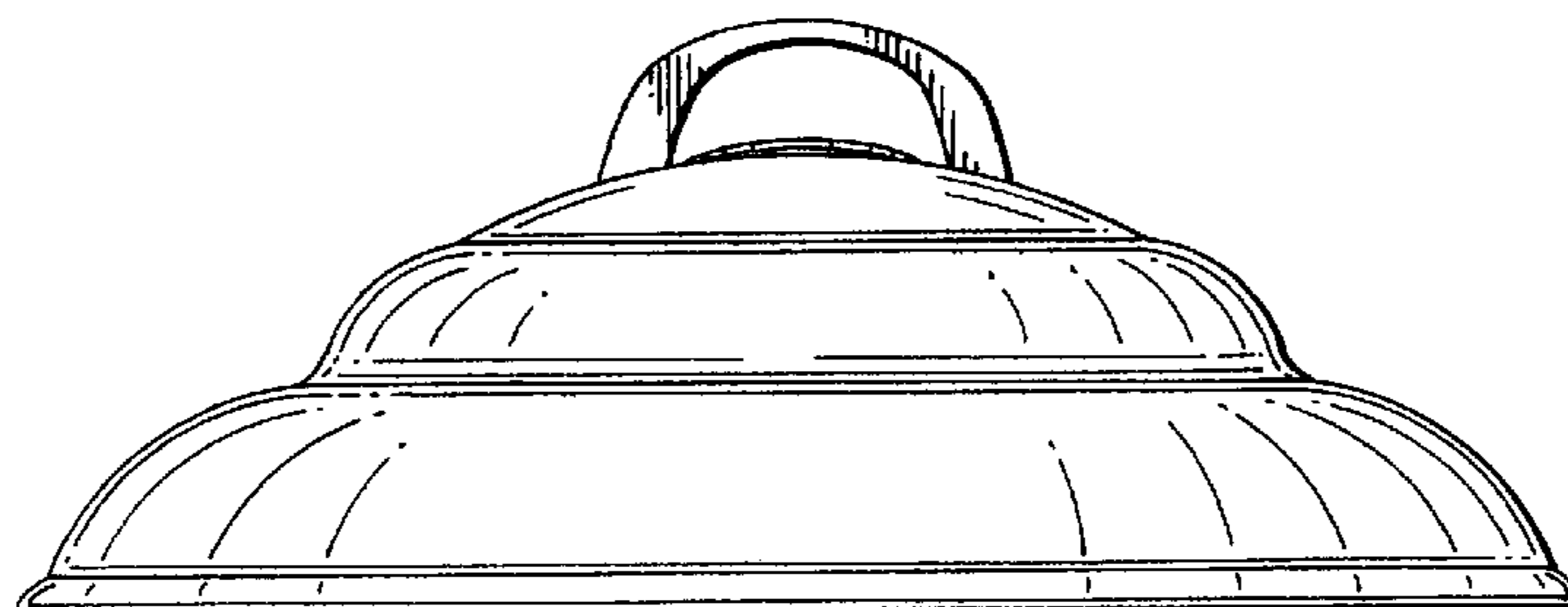
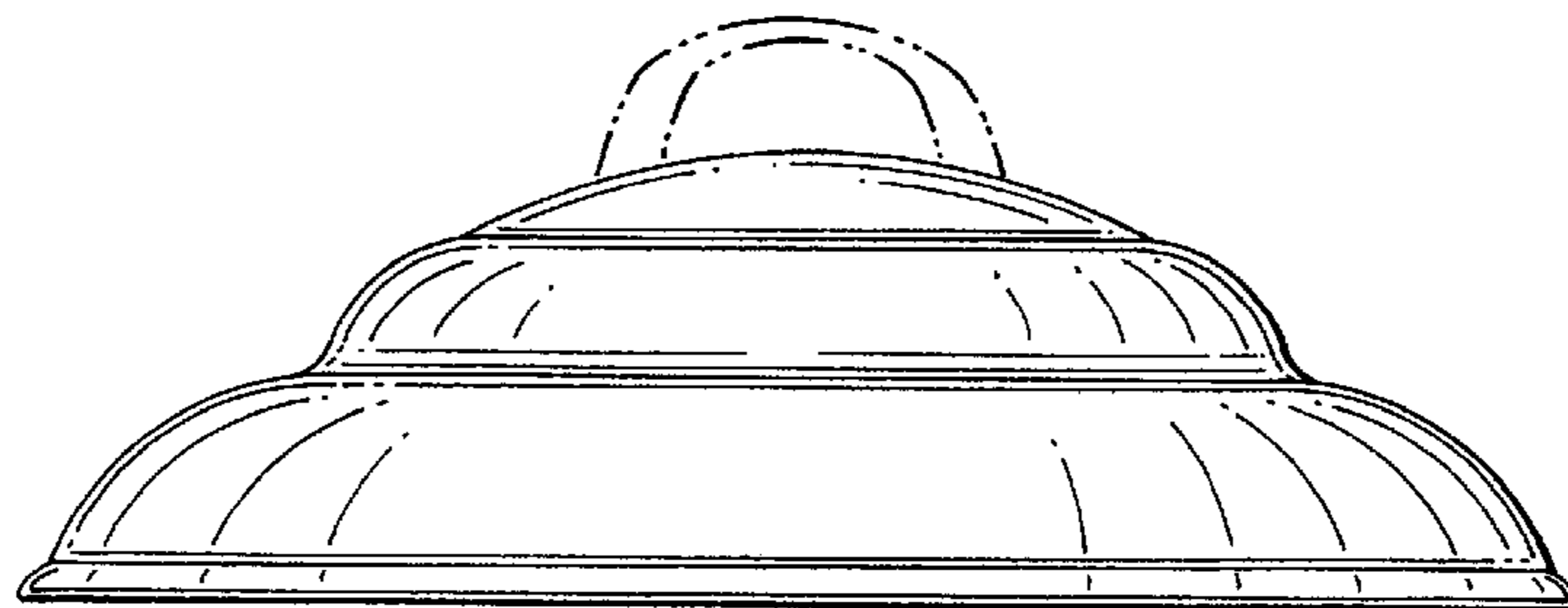


FIG. 1

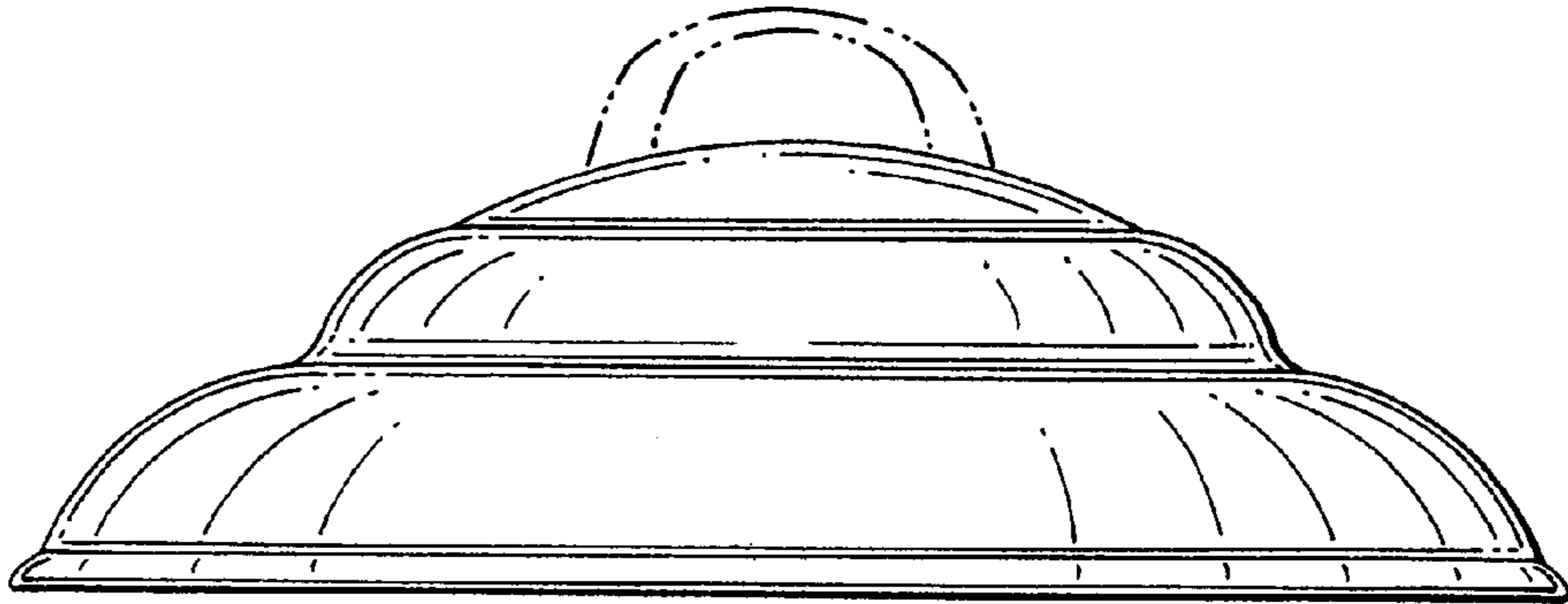


FIG. 2

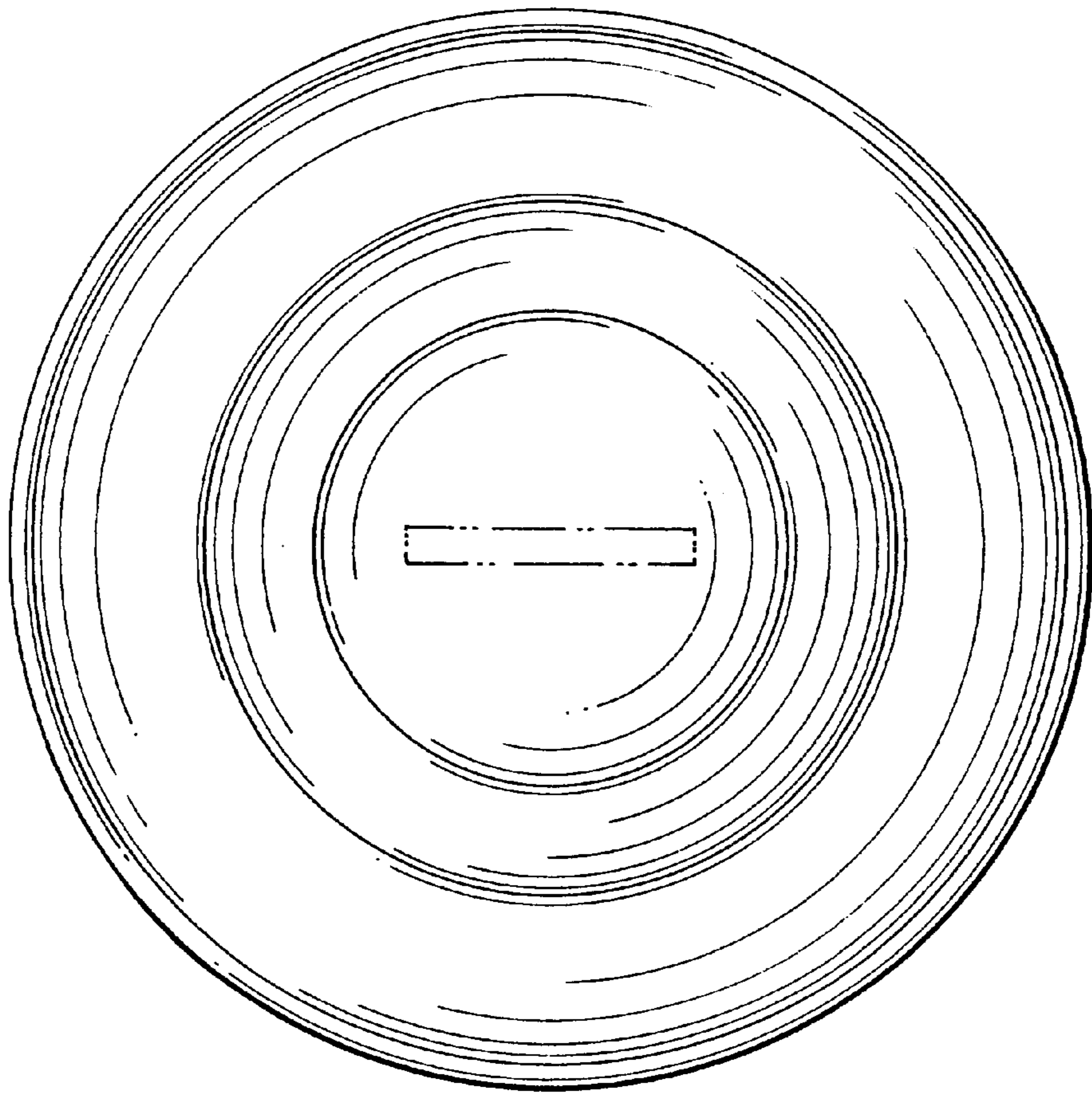


FIG. 3

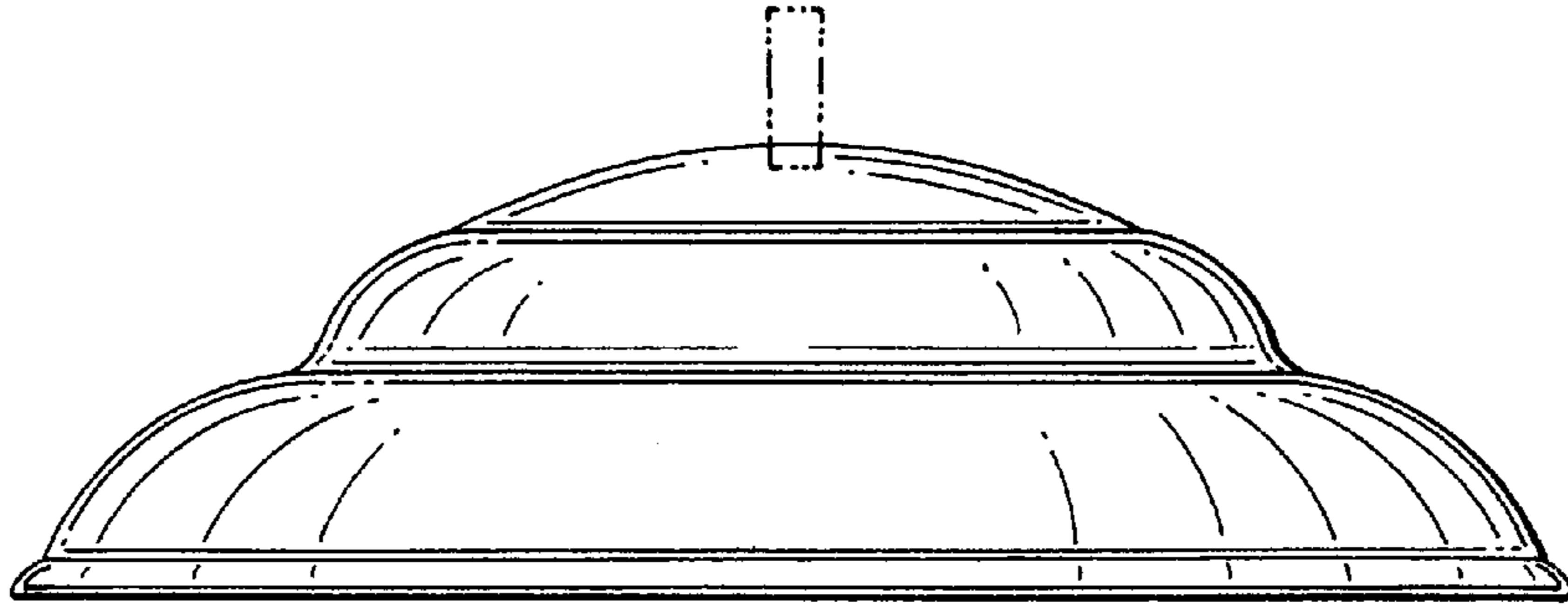


FIG. 4

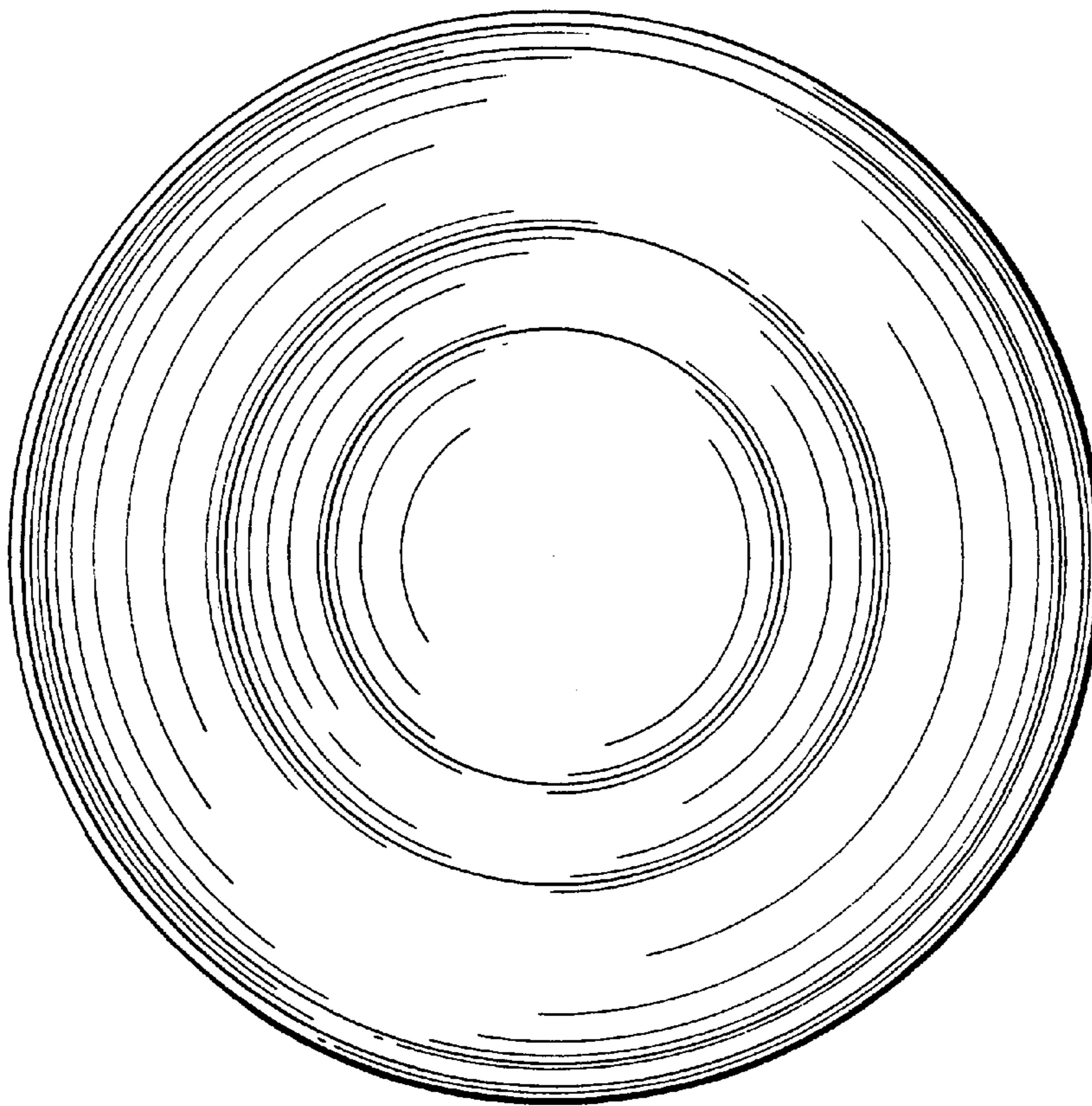


FIG. 5

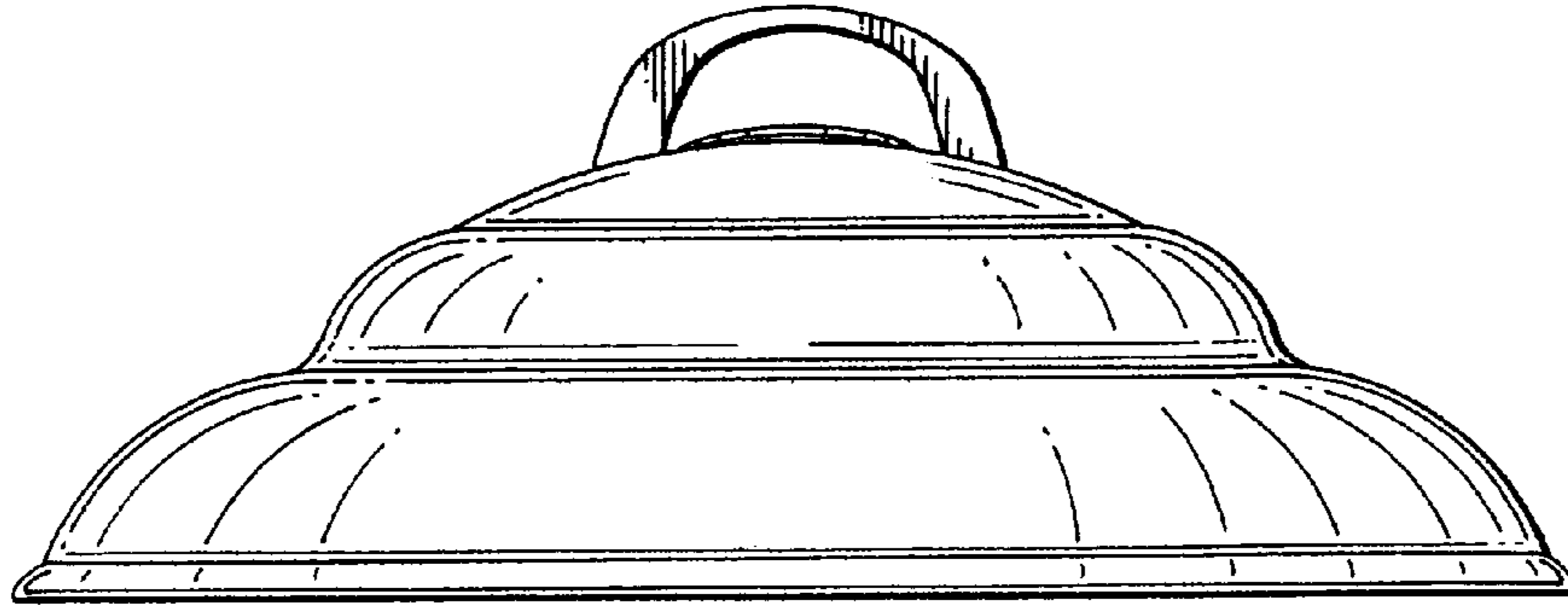


FIG. 6

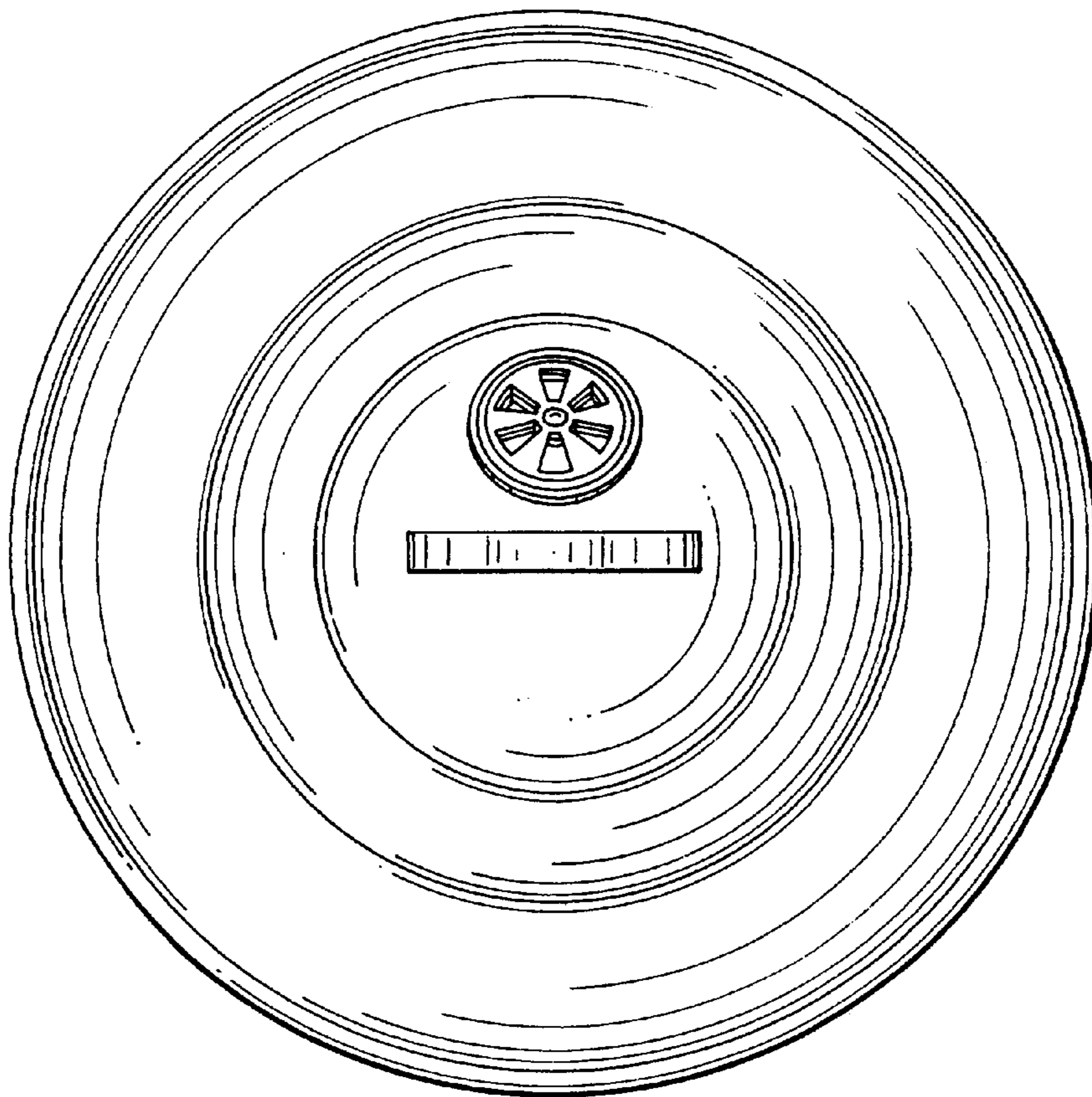


FIG. 7

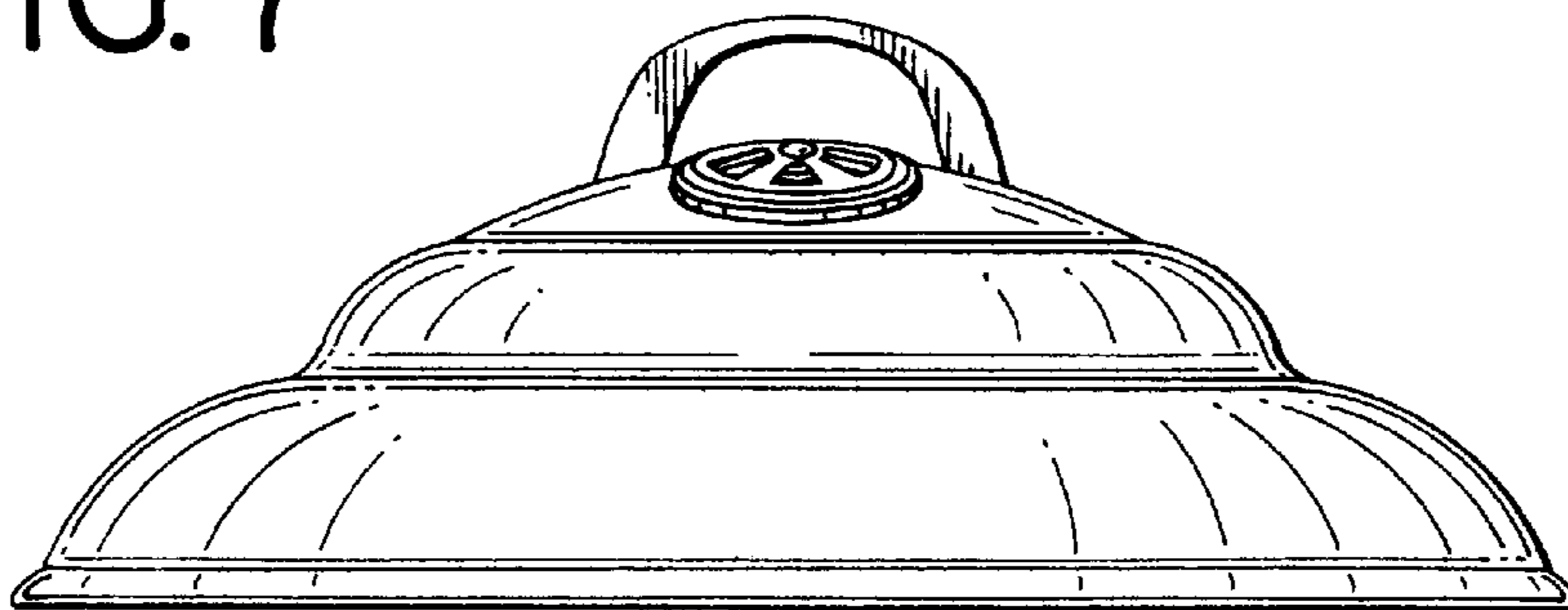


FIG. 8

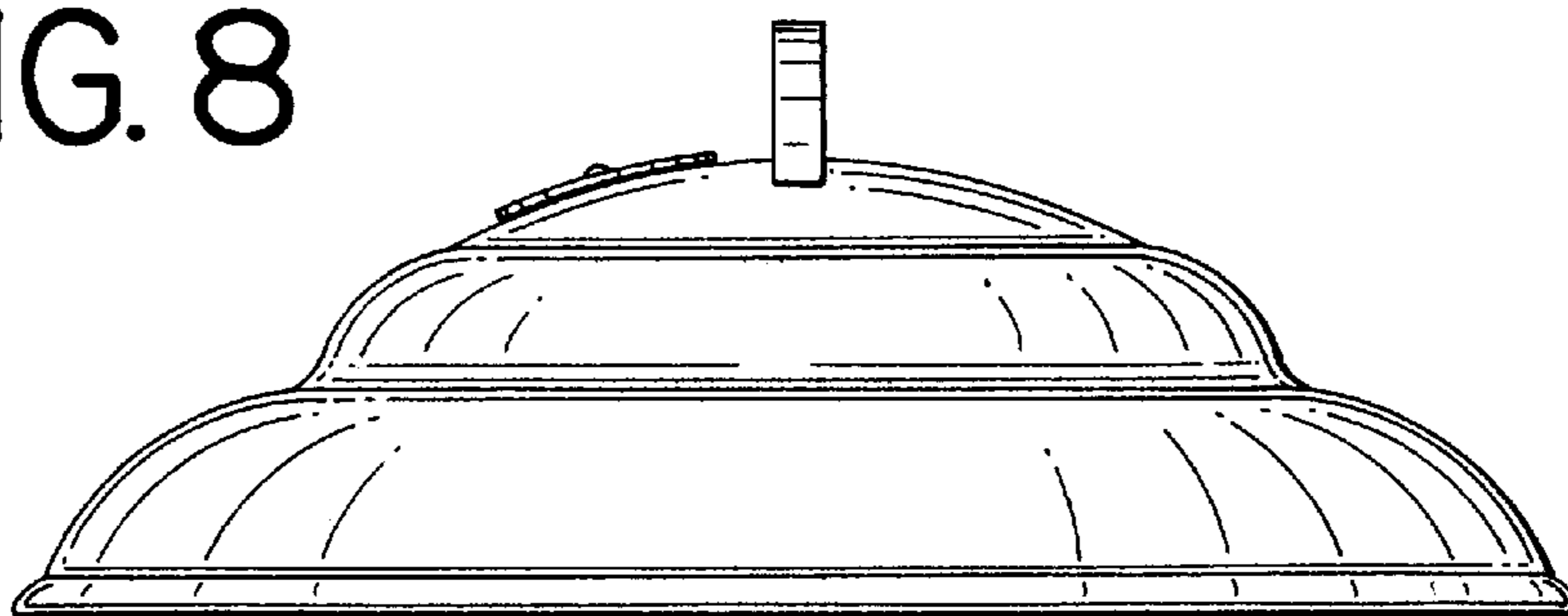


FIG. 9

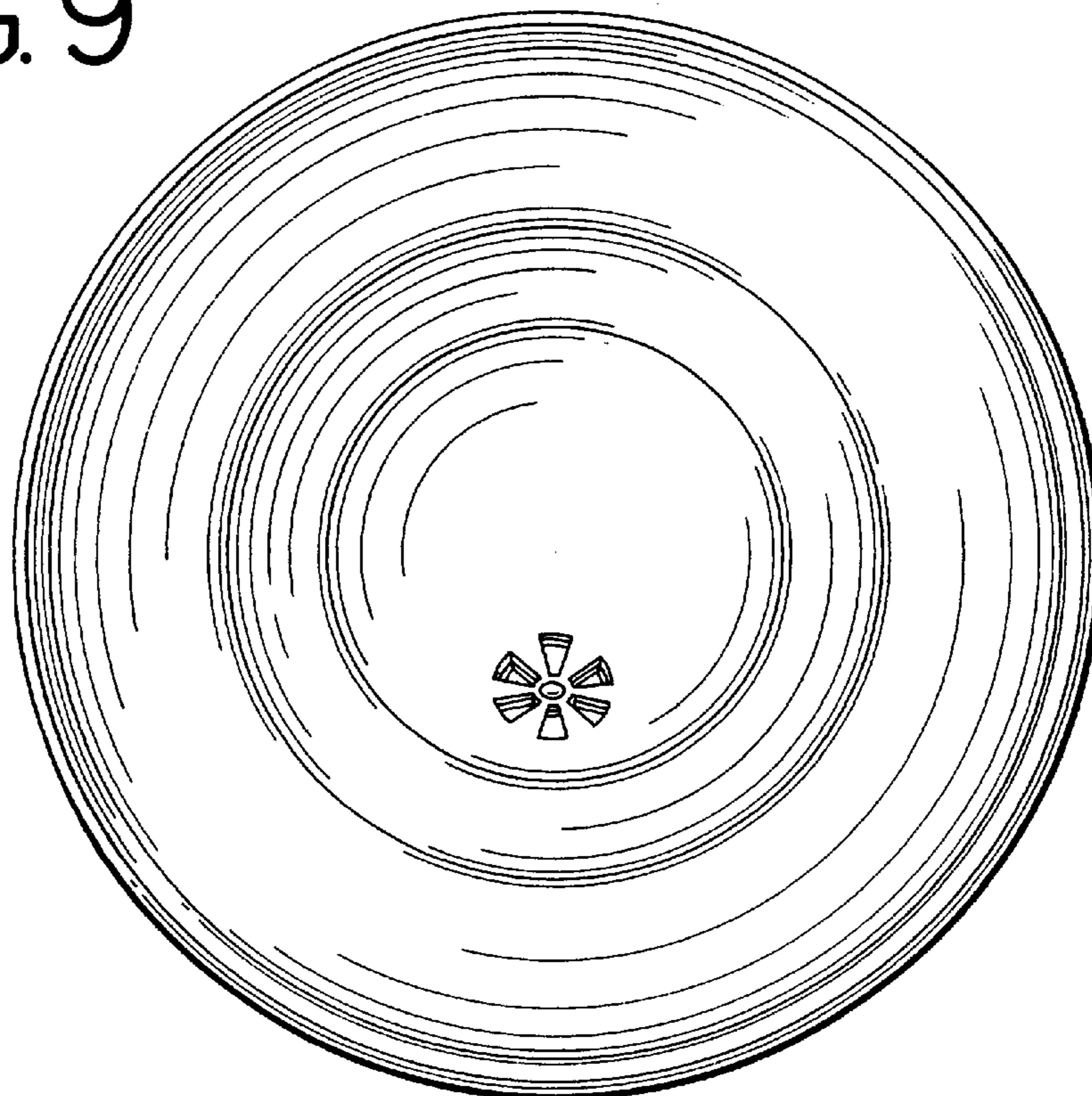


FIG. 10

