



US00D412080S

United States Patent [19]

Emery et al.

[11] Patent Number: Des. 412,080

[45] Date of Patent: ** Jul. 20, 1999

[54] OVER-THE-DOOR SHELF

[75] Inventors: William W. Emery, Berkeley Heights;
Russell A. Fritts, Warren, both of N.J.

[73] Assignee: Better Sleep Mfg. Co., Berkeley
Heights, N.J.

[**] Term: 14 Years

[21] Appl. No.: 29/080,209

[22] Filed: Dec. 3, 1997

[51] LOC (6) Cl. 08-08

[52] U.S. Cl. D6/513; D6/566

[58] Field of Search D6/512-514, 525,
D6/566, 574; 211/13.1, 41.4, 86-88, 90,
113, 126.1, 126.9, 134, 181.1; 248/205.1,
235, 249, 309.1, 311.2, 317, 905

[56] **References Cited**

U.S. PATENT DOCUMENTS

- D. 315,840 4/1991 Emery .
- D. 320,134 9/1991 Emery .

- D. 322,002 12/1991 Emery .
- D. 323,439 1/1992 Emery .
- D. 343,321 1/1994 Emery .
- D. 354,412 1/1995 Emery .
- D. 364,297 11/1995 Daniel D6/513
- D. 365,239 12/1995 Emery et al. D6/566
- D. 365,481 12/1995 McKeon D6/513
- D. 399,381 10/1998 Hoernig D6/566
- 4,895,334 1/1990 Bajek et al. 211/113 X

Primary Examiner—Brian N. Vinson
Attorney, Agent, or Firm—Bickel & Brewer

[57] **CLAIM**

The ornamental design for an over-the-door shelf, as shown.

DESCRIPTION

FIG. 1 is a lower perspective view of the shelf;
FIG. 2 is a front elevational view of the shelf;
FIG. 3 is a rear elevational view of the shelf;
FIG. 4 is a top plan view of the shelf;
FIG. 5 is a bottom plan view of the shelf; and,
FIG. 6 is a side elevational view of the shelf.

1 Claim, 6 Drawing Sheets

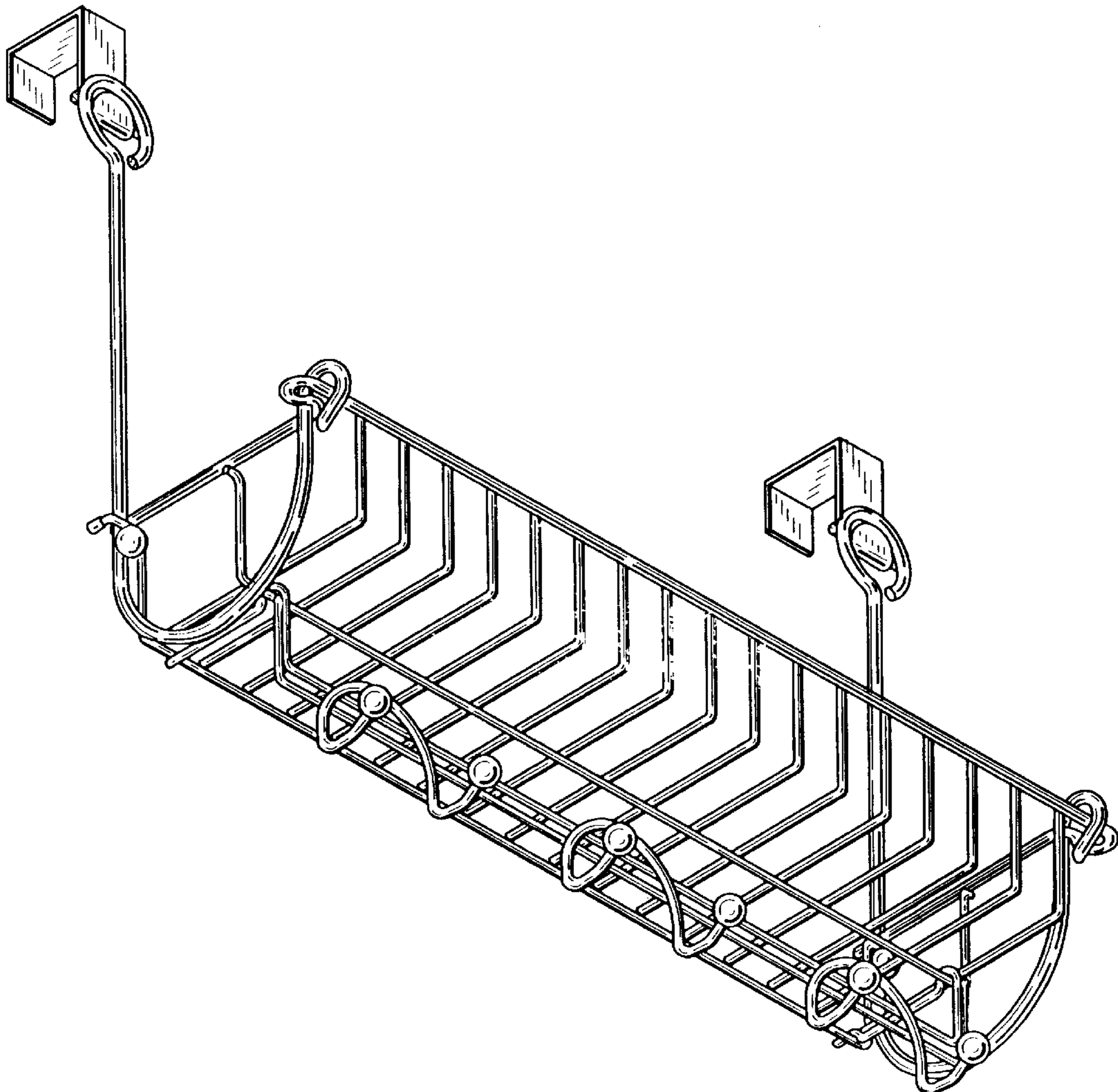
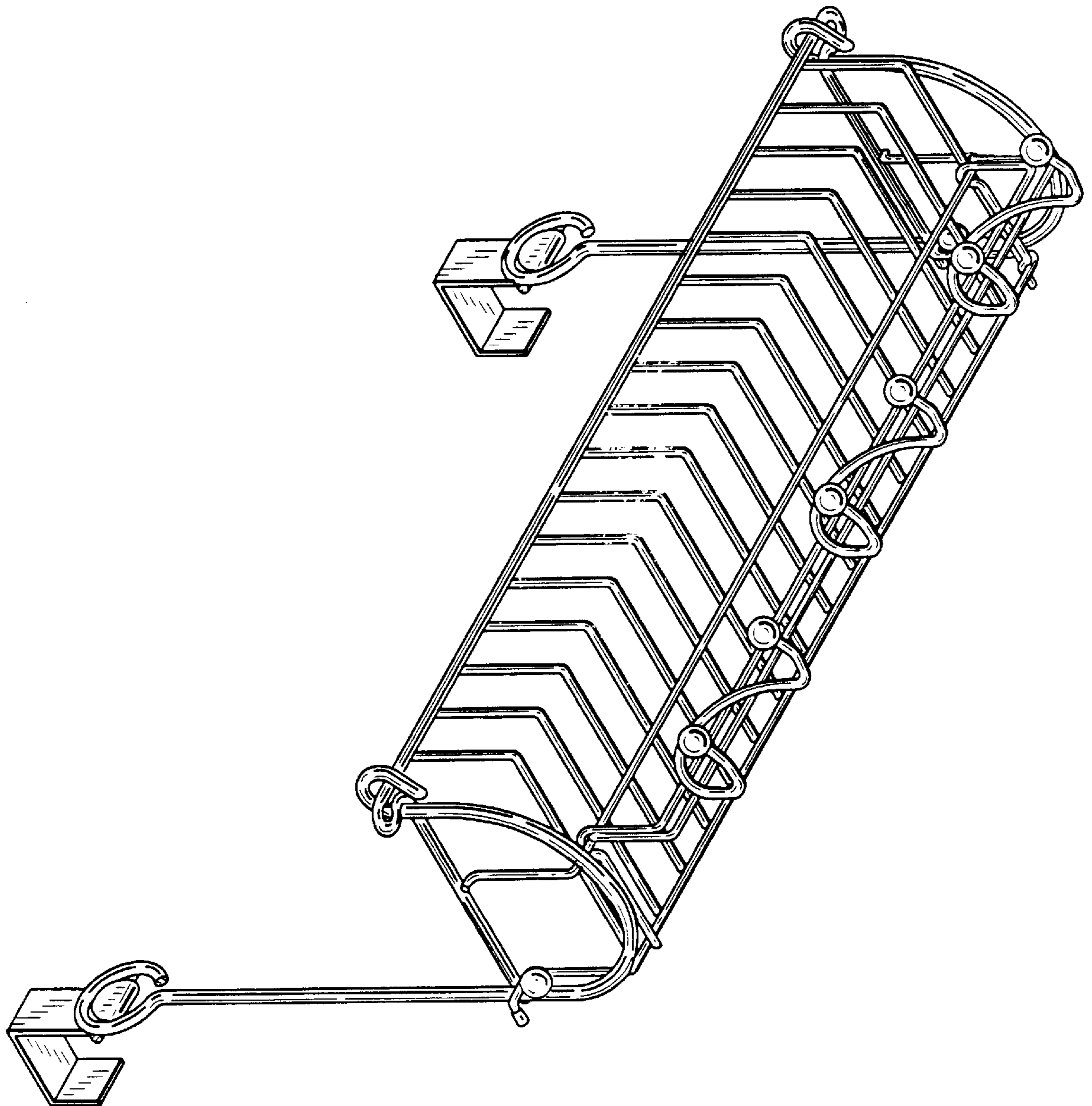


FIG.1



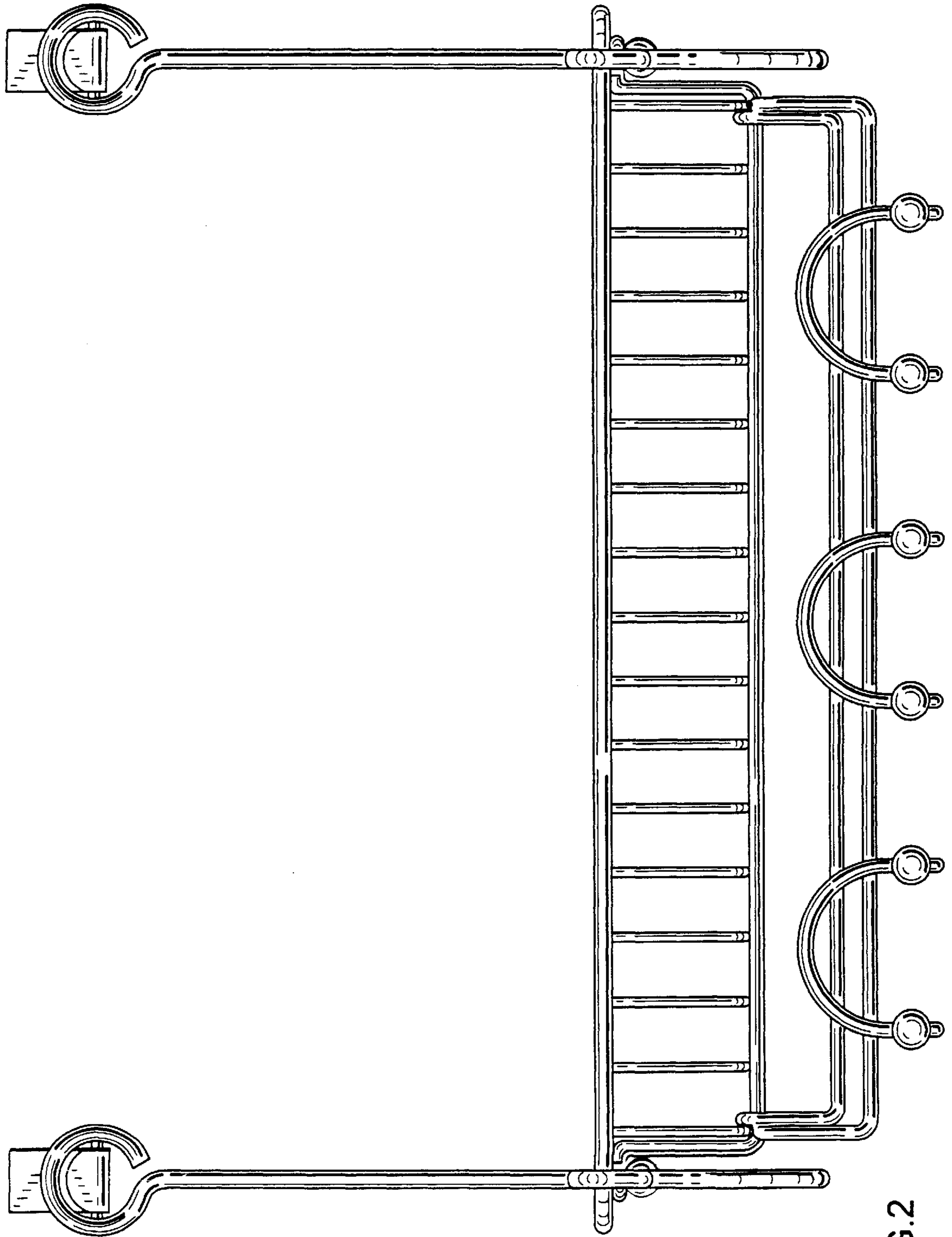


FIG.2

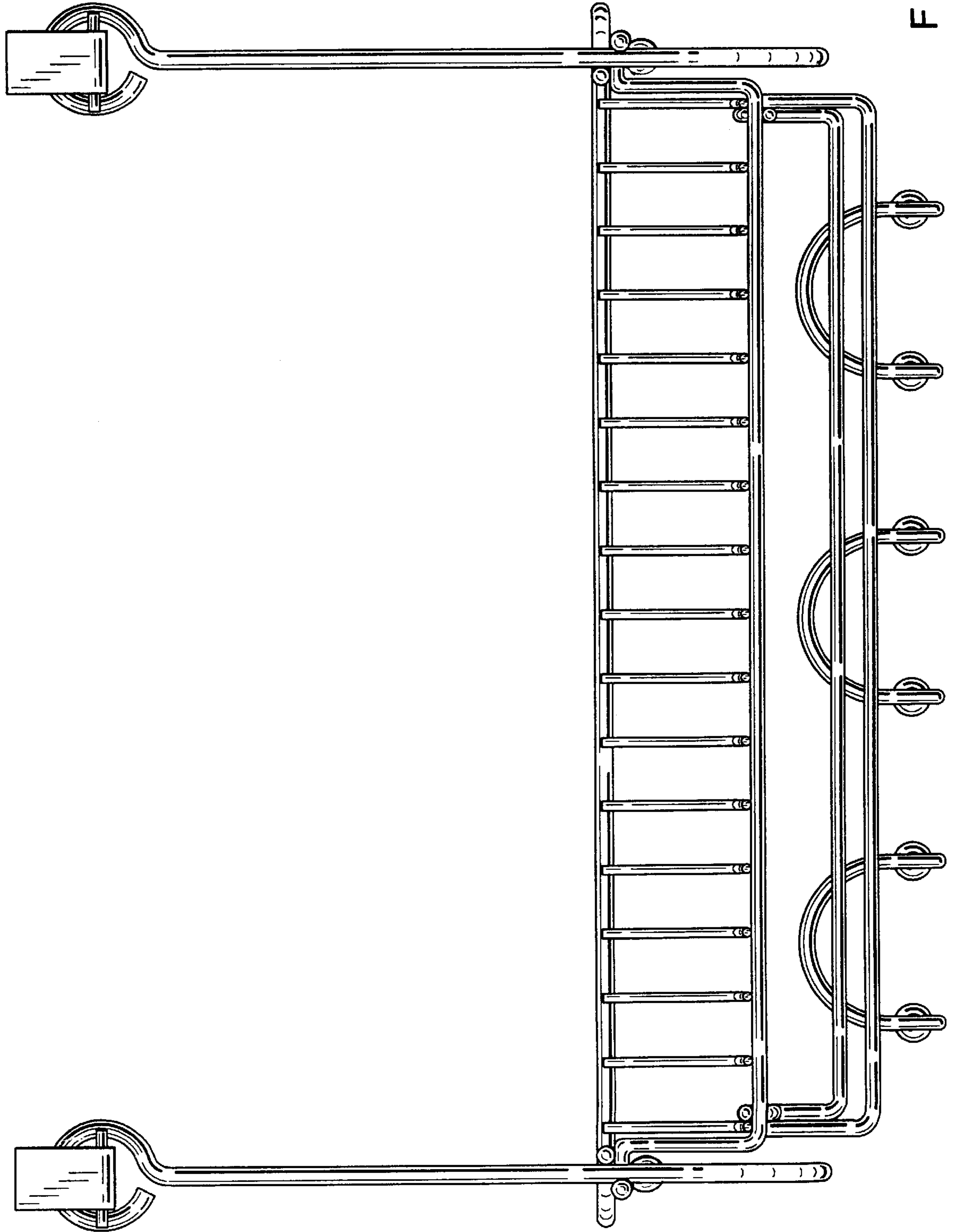


FIG.3

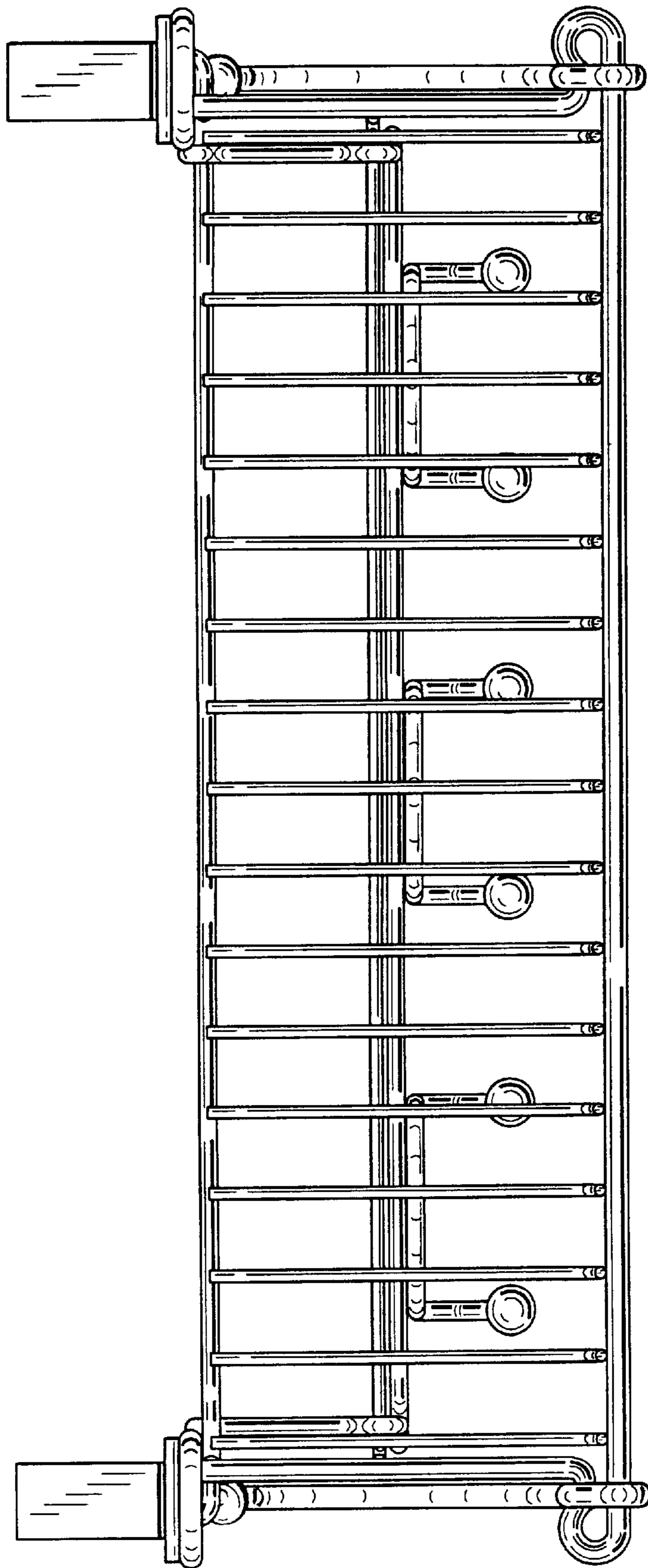


FIG.4

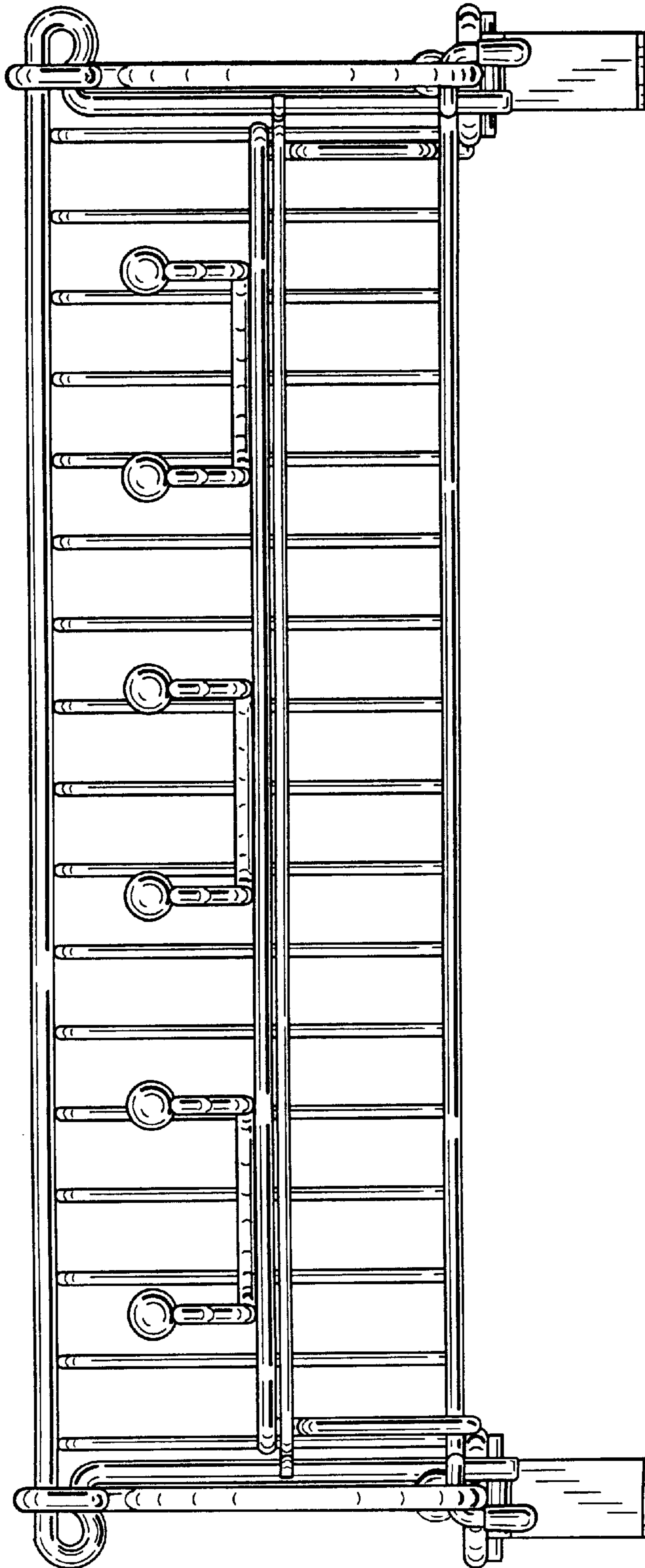


FIG. 5

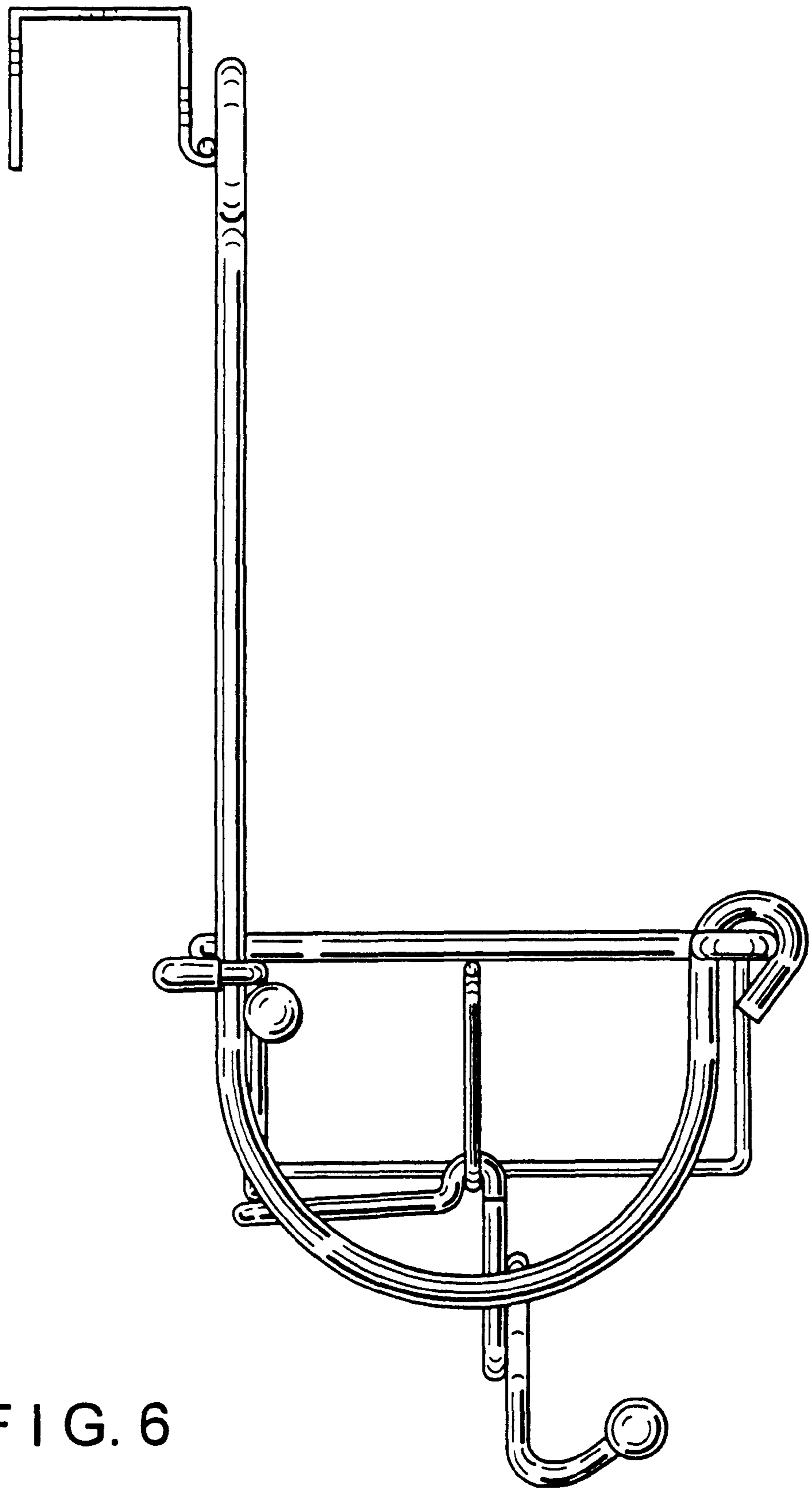


FIG. 6