



US00D412077S

United States Patent [19]
Mendoza

[11] **Patent Number: Des. 412,077**
[45] **Date of Patent: ** Jul. 20, 1999**

[54] **TABLE BASE**

[75] Inventor: **Eric N. Mendoza**, Mandaue,
Philippines
[73] Assignee: **Artistica Metal Designs, Inc.**, Oxnard,
Calif.
[**] Term: **14 Years**

[21] Appl. No.: **29/090,924**
[22] Filed: **Jul. 20, 1998**

[51] **LOC (6) Cl.** **06-03**
[52] **U.S. Cl.** **D6/495; D6/480**
[58] **Field of Search** D6/480-489, 495-497,
D6/499, 451; 108/152, 153.1, 156, 157.1,
161; 248/188, 188.1, 188.8

[56] **References Cited**

U.S. PATENT DOCUMENTS

D. 73,551 10/1927 Bach D6/488
4,003,320 1/1977 Owens et al. 108/157

OTHER PUBLICATIONS

Ethan Allen c1992, p. 286, tables #1 and 7.
Polar Island, Aug. 15, 1995, p. 2, table in center.
Tropitone, Sep. 1, 1991, p. 16, table at bottom.
La Barge. Mar. 1973, p. 112A, table at top.

Primary Examiner—Janice E. Seeger
Attorney, Agent, or Firm—John M. Harrington; Kilpatrick
Stockton LLP

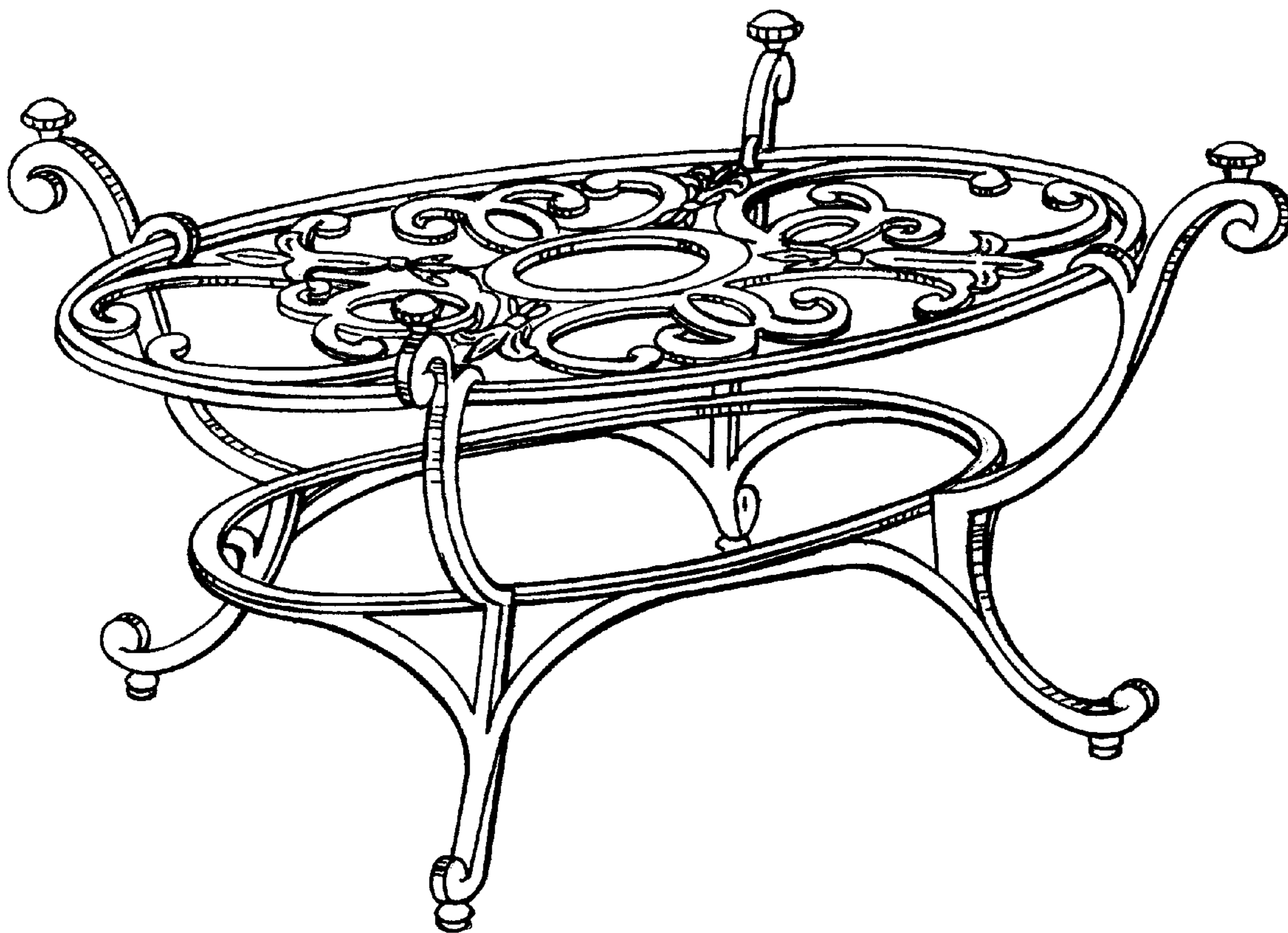
[57] **CLAIM**

The ornamental design for table base, as shown.

DESCRIPTION

FIG. 1 is a perspective view of table base embodying my design therefore;
FIG. 2 is a front elevational view, the rear being identical thereto;
FIG. 3 is a side elevational view, the opposite side being identical thereto; and,
FIG. 4 is a top plan view thereof.

1 Claim, 2 Drawing Sheets



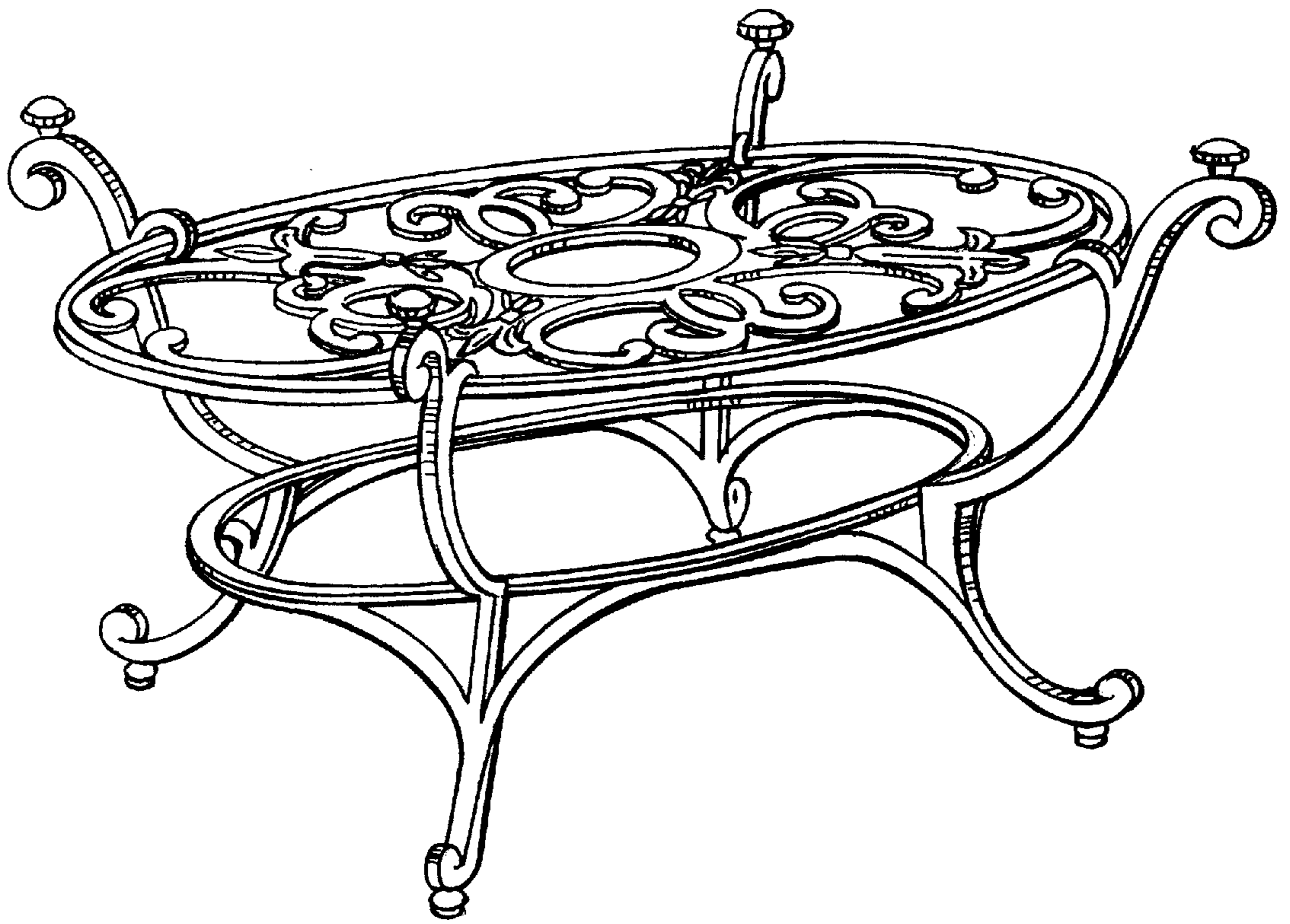


FIG. 1

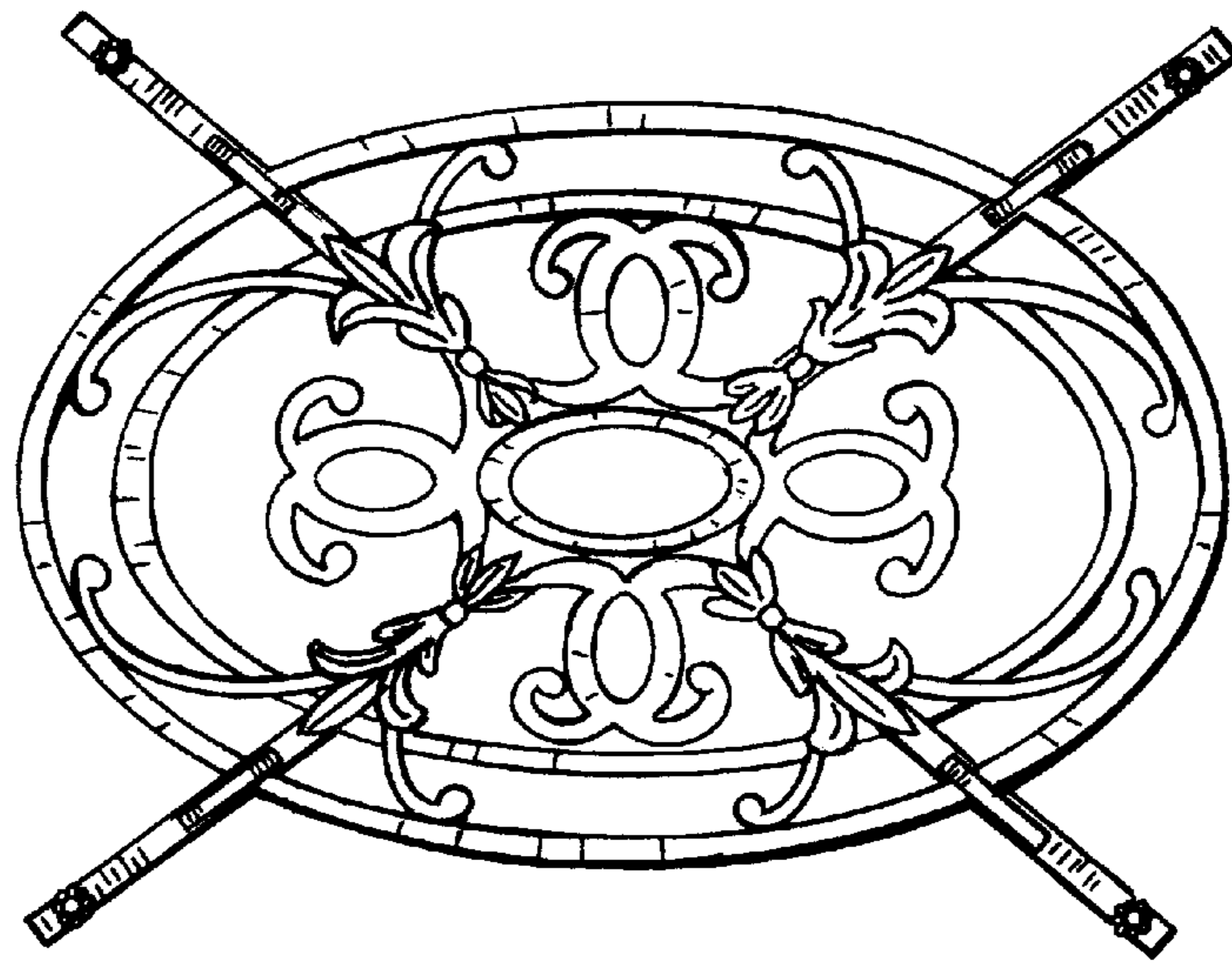


FIG. 4

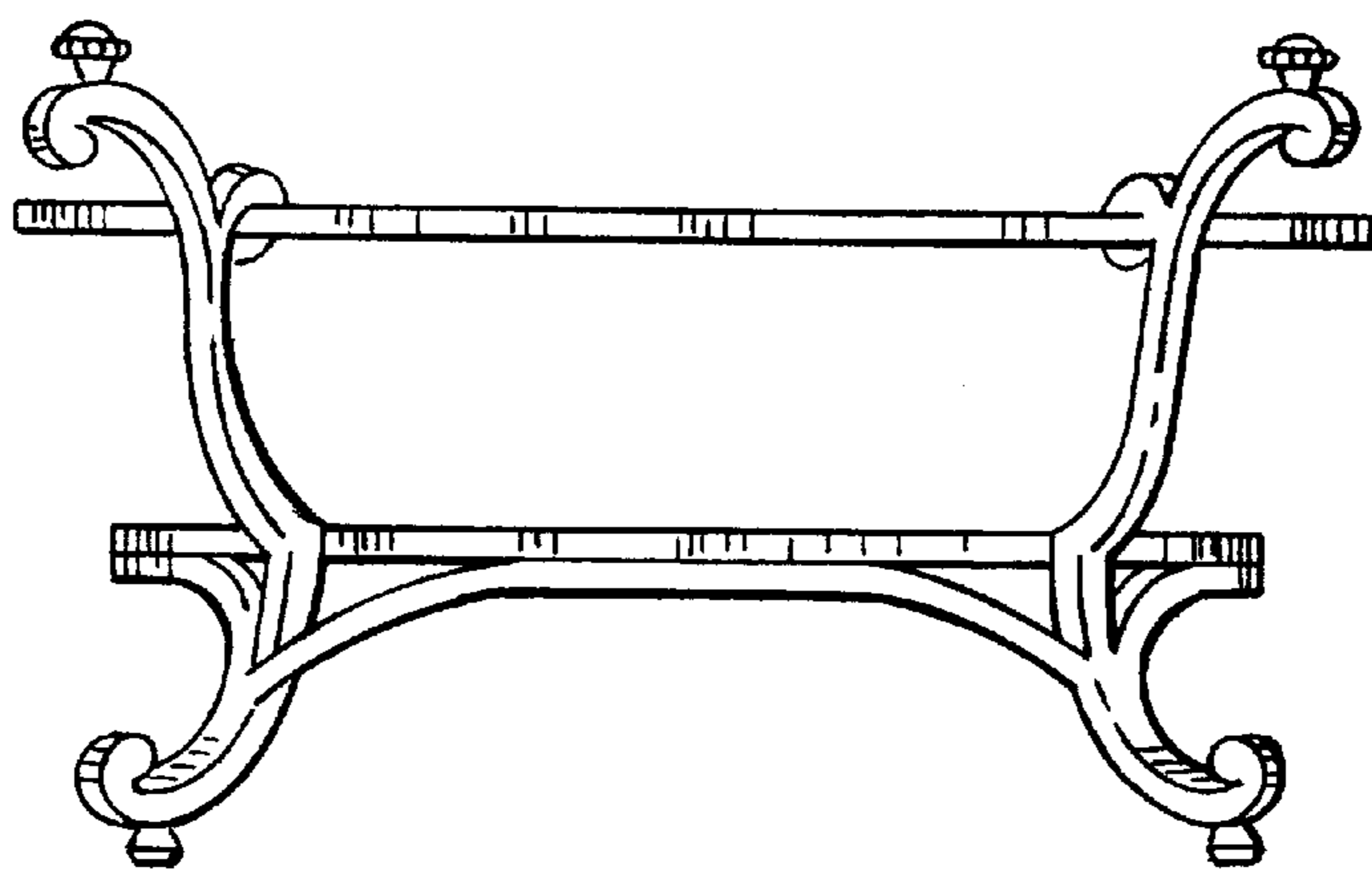


FIG. 3

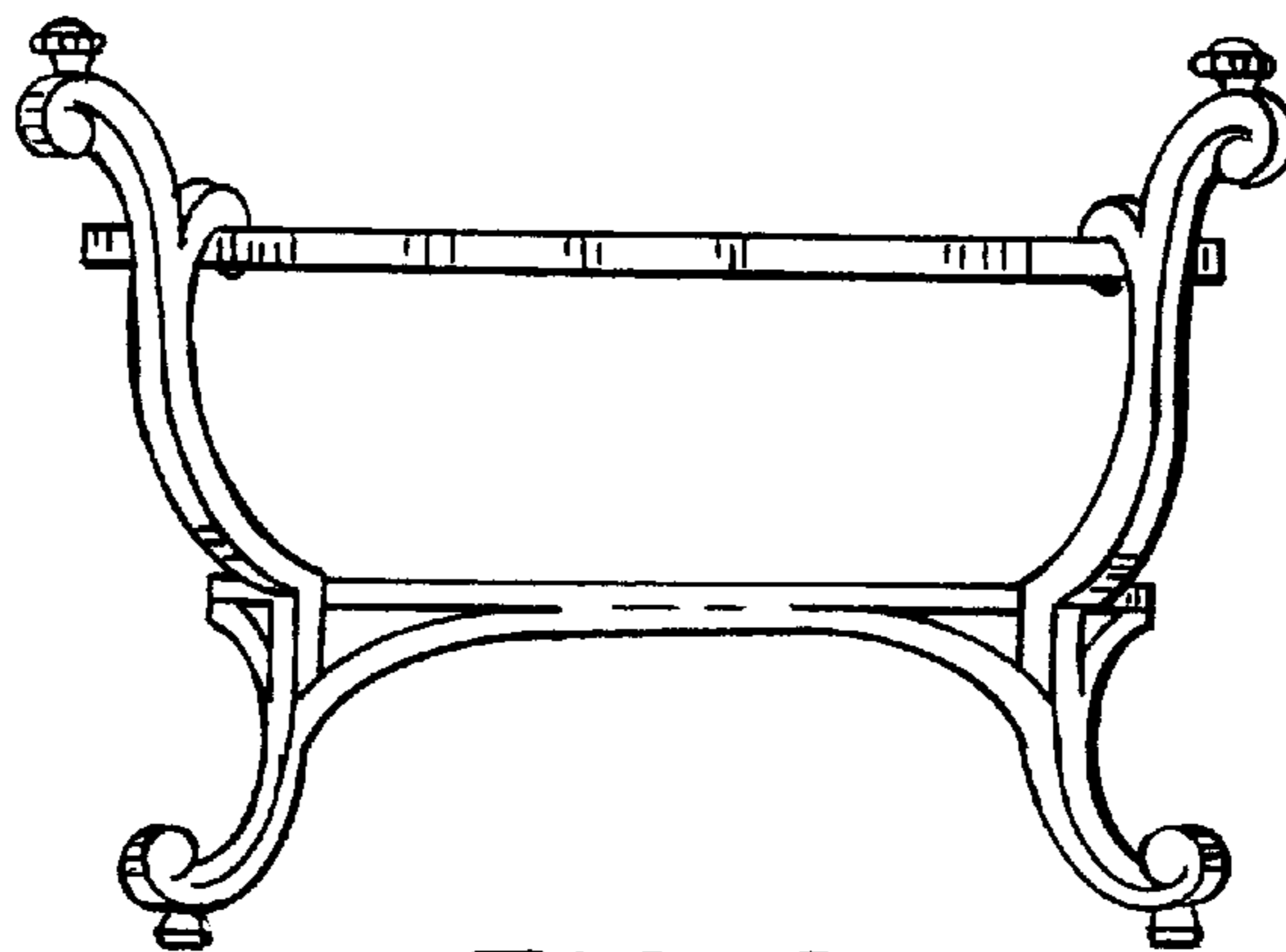


FIG. 2