



US00D412070S

United States Patent [19] Nesbit

[11] **Patent Number: Des. 412,070**
[45] **Date of Patent: ** Jul. 20, 1999**

[54] **LOFT BED SYSTEM**

[76] Inventor: **Dale P. Nesbit**, 13031 Crestwood Ct.,
Henderson, Ky. 42420

[**] Term: **14 Years**

[21] Appl. No.: **29/076,334**

[22] Filed: **Sep. 17, 1997**

[51] **LOC (6) Cl.** **06-01**

[52] **U.S. Cl.** **D6/384**

[58] **Field of Search** D6/382-384, 388-395,
D6/505-508, 425, 426, 397, 421, 436, 445,
446; 5/2.1, 8, 53.1, 279.1, 280, 308, 907

[56] **References Cited**

U.S. PATENT DOCUMENTS

D. 165,745	1/1952	Freitag	D6/397
D. 206,427	12/1966	Fowler	D6/384
D. 223,331	4/1972	Neerincvx	D6/397
D. 228,990	11/1973	Villanova	D6/384
D. 252,542	8/1979	Lewis	.	
D. 376,706	12/1996	Smith	D6/425
2,721,336	10/1955	Becker	.	
4,312,086	1/1982	Bianco	.	

OTHER PUBLICATIONS

Interiors, Aug. 1980, p. 81, cabinet.

Primary Examiner—Janice E. Seeger

Attorney, Agent, or Firm—Laubscher & Laubscher

[57] **CLAIM**

The ornamental design for a loft bed system, as shown and described.

DESCRIPTION

FIG. 1 is a perspective front view of the loft bed system design;

FIG. 2 is a right side elevational view of the loft bed system, the left side elevational view being a minor image of FIG. 2;

FIG. 3 is a front elevational view of the loft bed system;

FIG. 4 is a rear elevational view of the loft bed system;

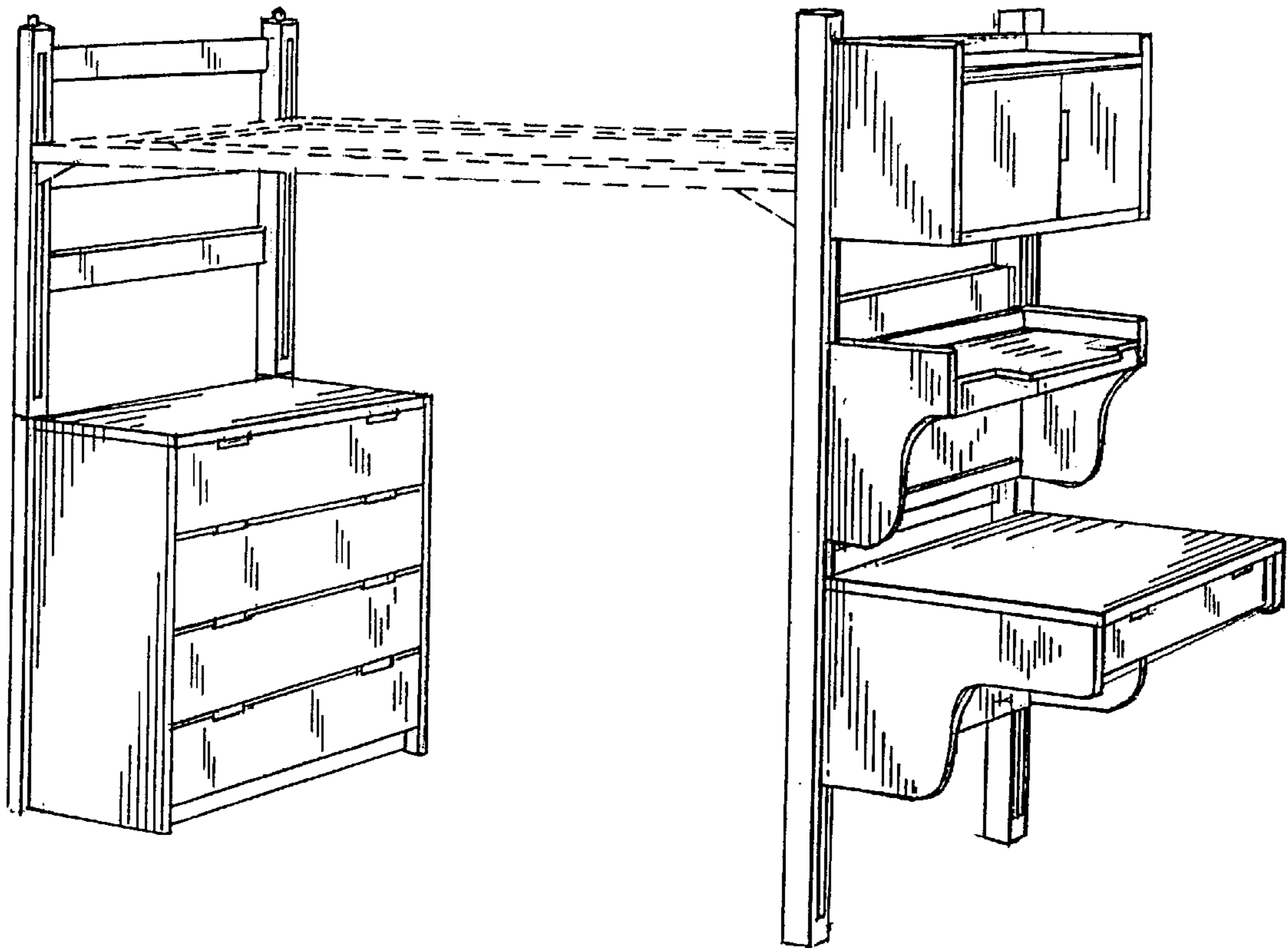
FIG. 5 is a top plan view of the loft bed system;

FIG. 6 is a rear view of the desk and shelf unit of the left bed system of FIG. 1; and,

FIG. 7 is a detailed perspective view of the connection between one corner of the bed springs and the associated vertical support member.

The broken lines are for environmental purposes and form no part of the claimed design.

1 Claim, 4 Drawing Sheets



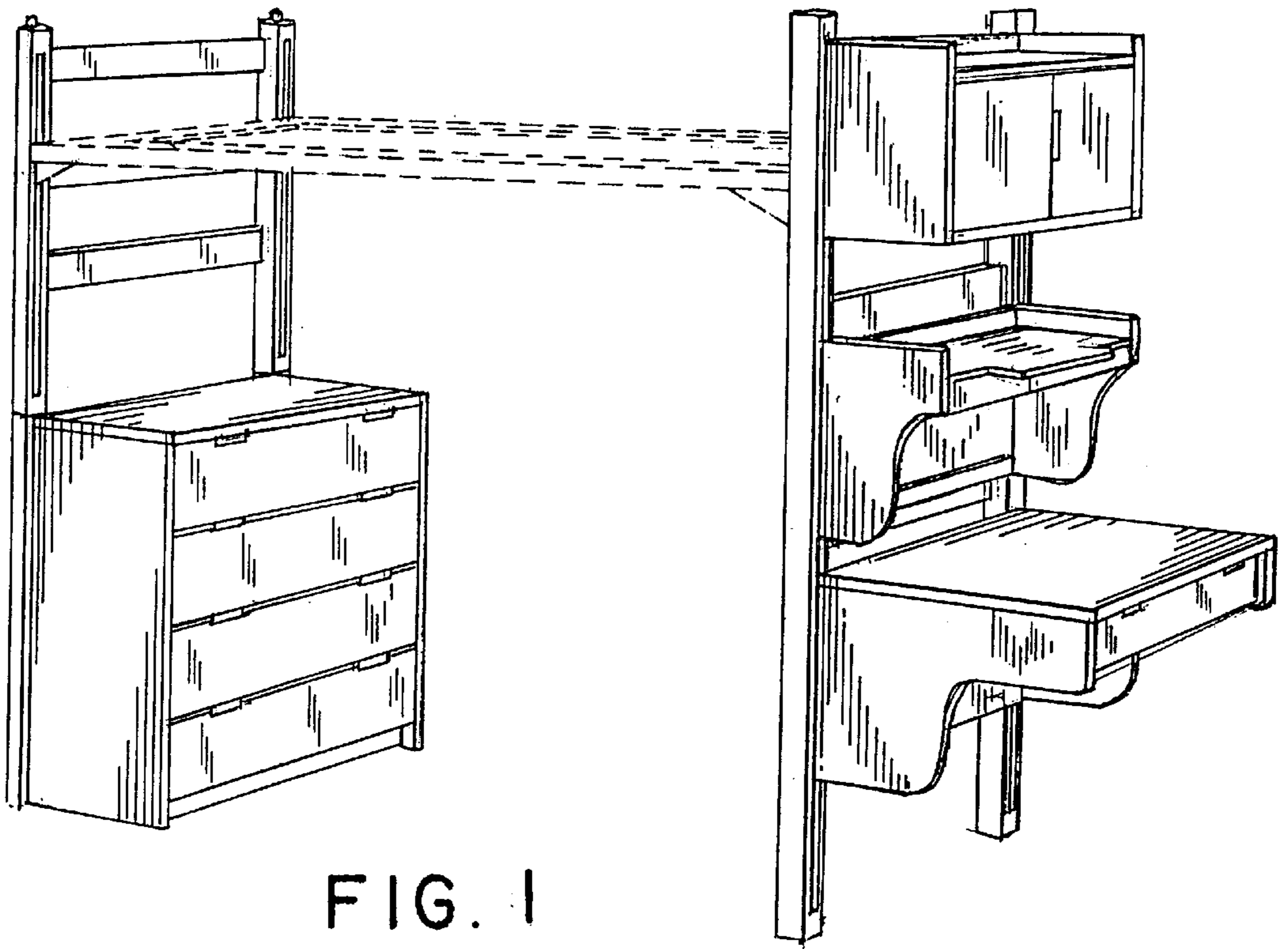


FIG. 1

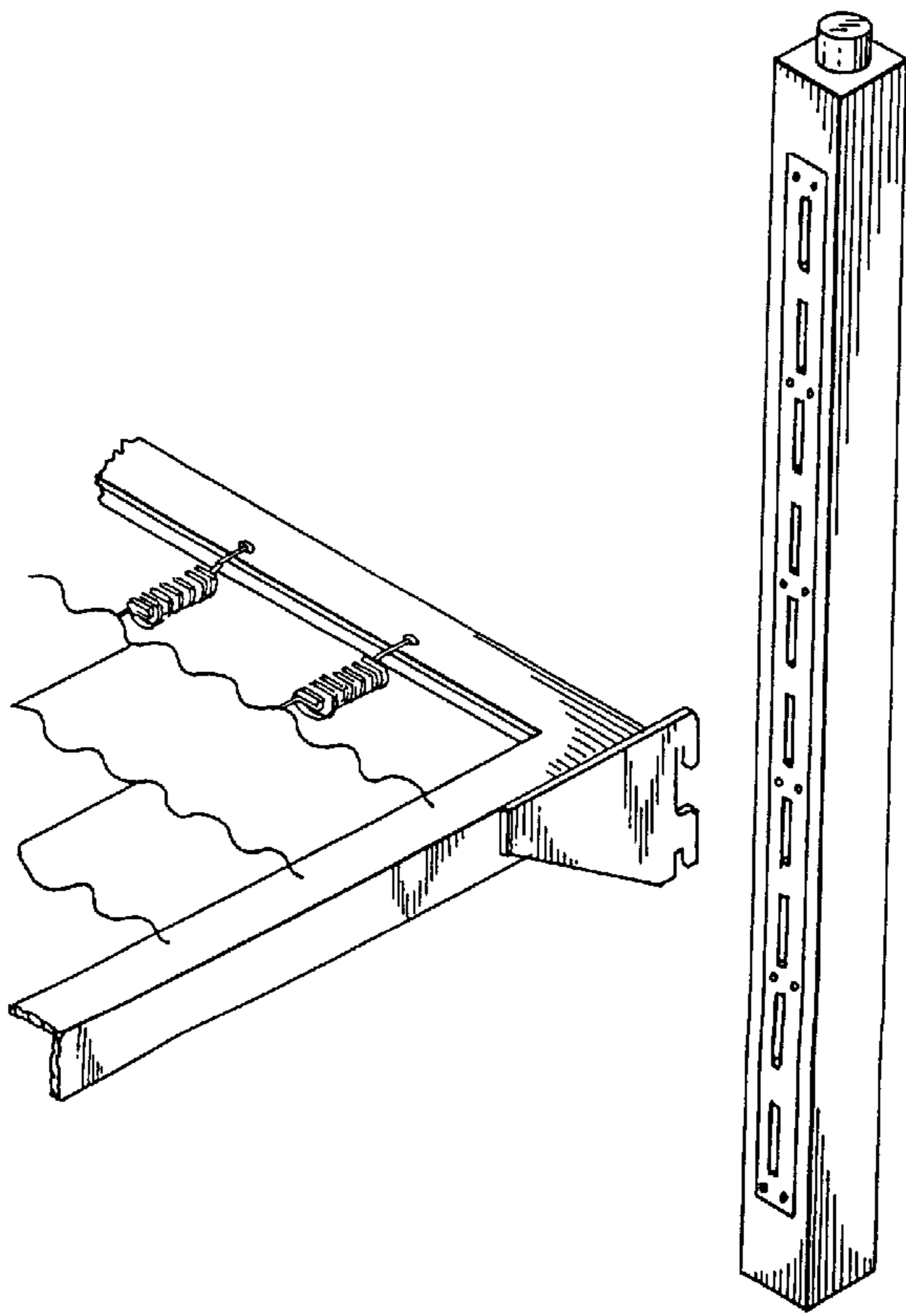


FIG. 7

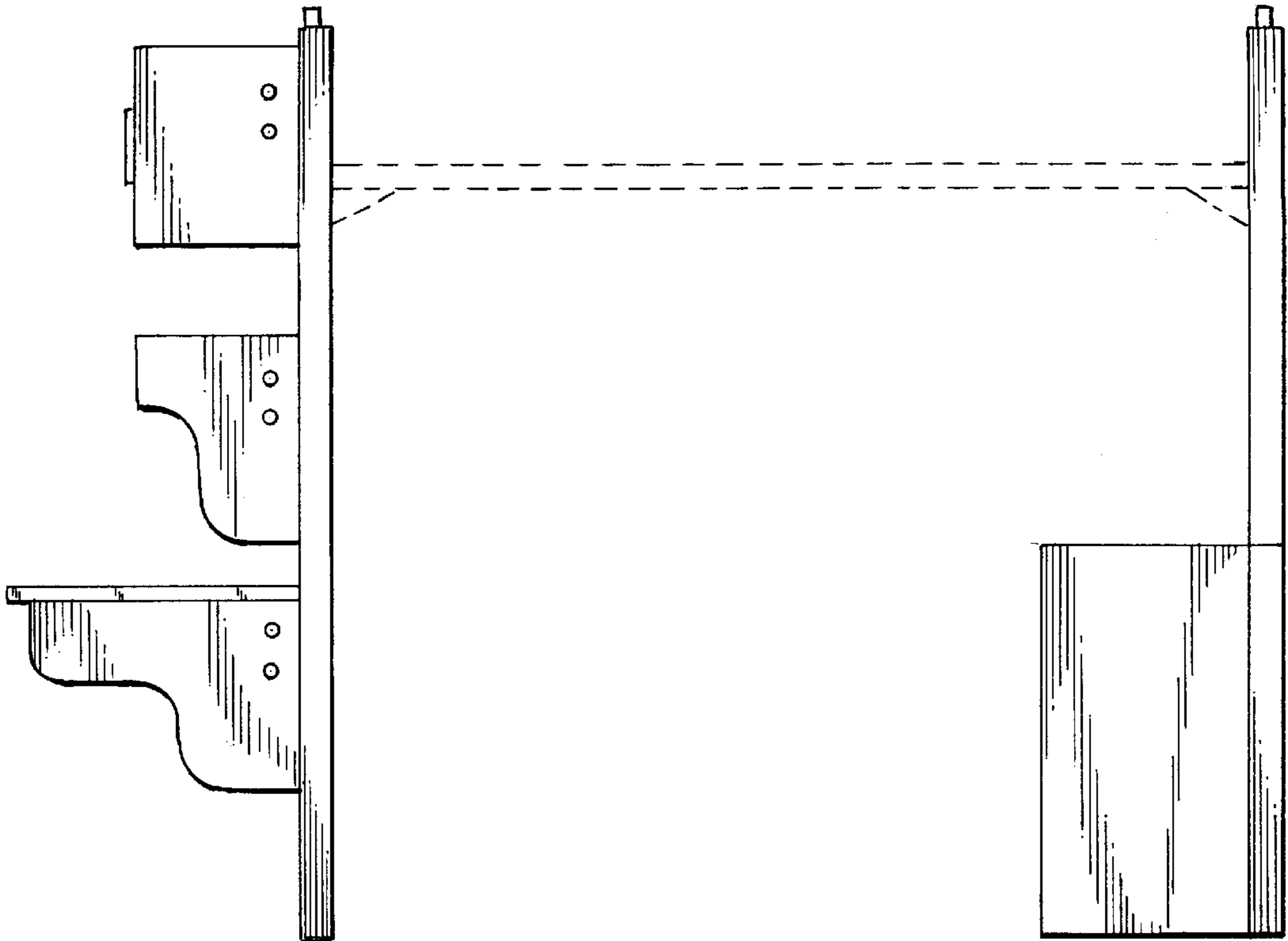


FIG. 2

FIG. 5

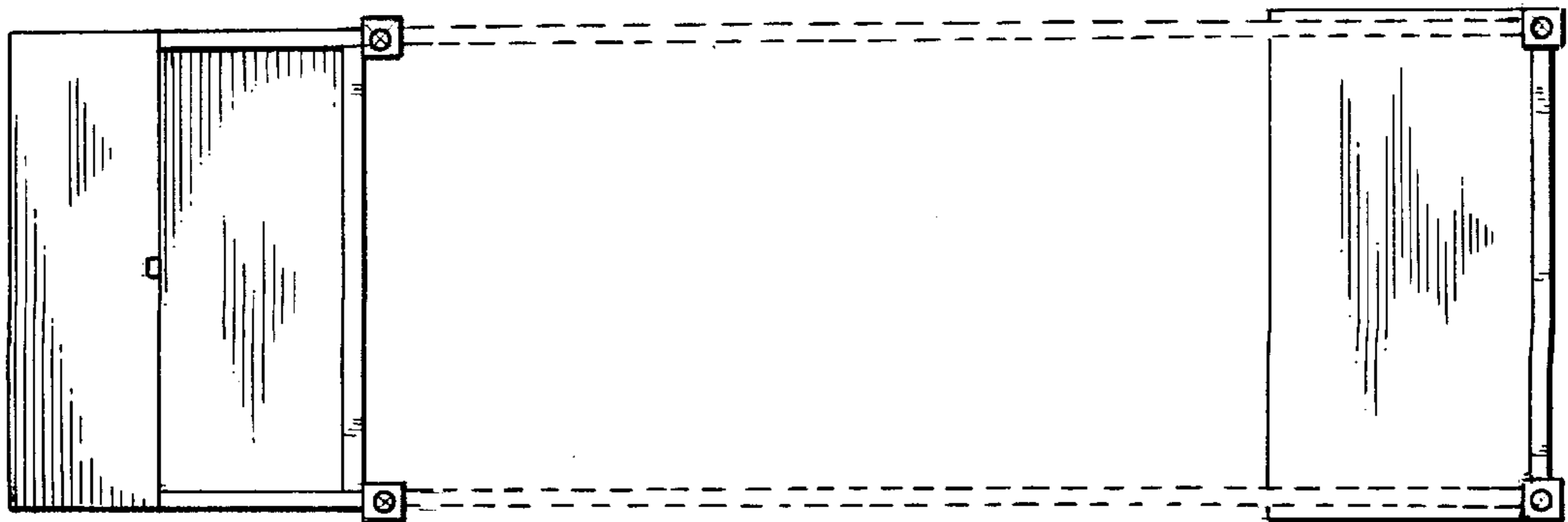


FIG. 3

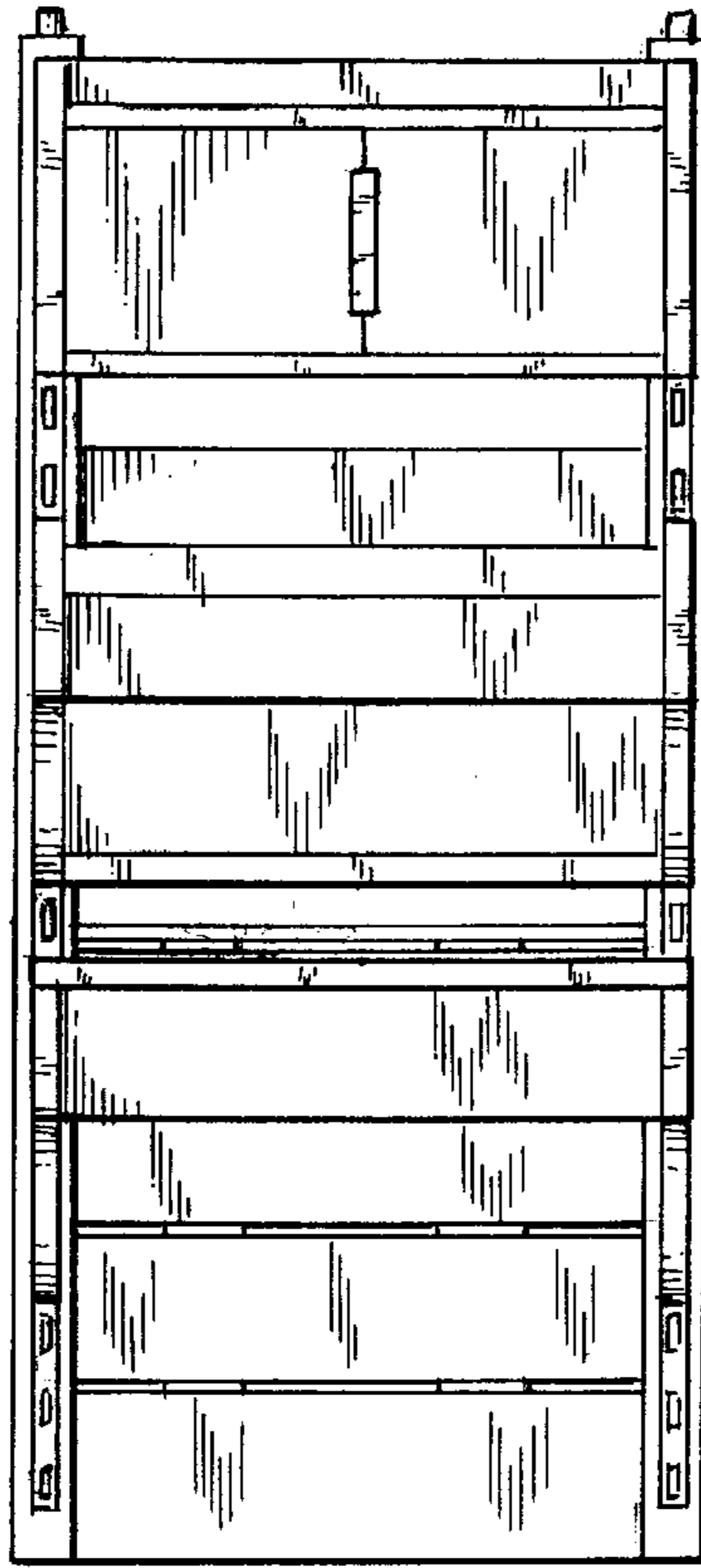
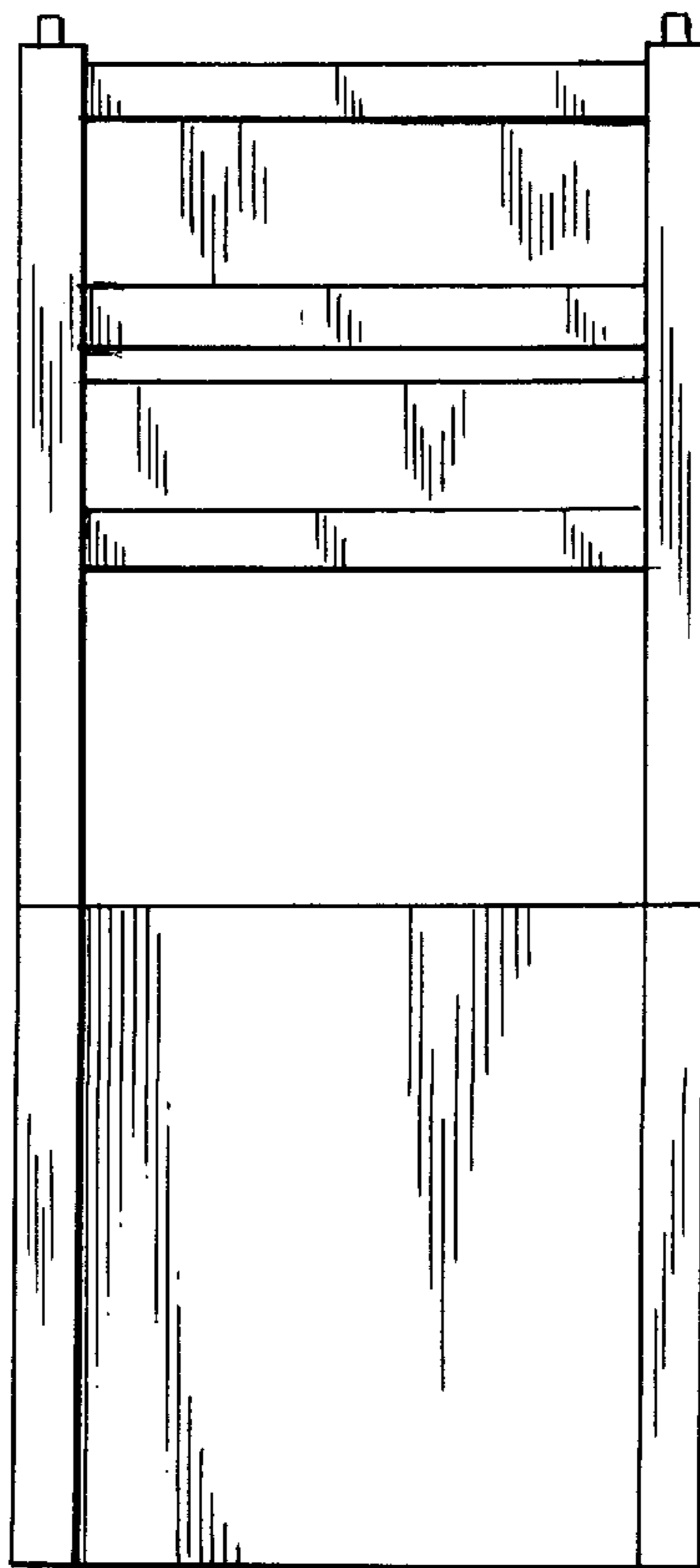


FIG. 4



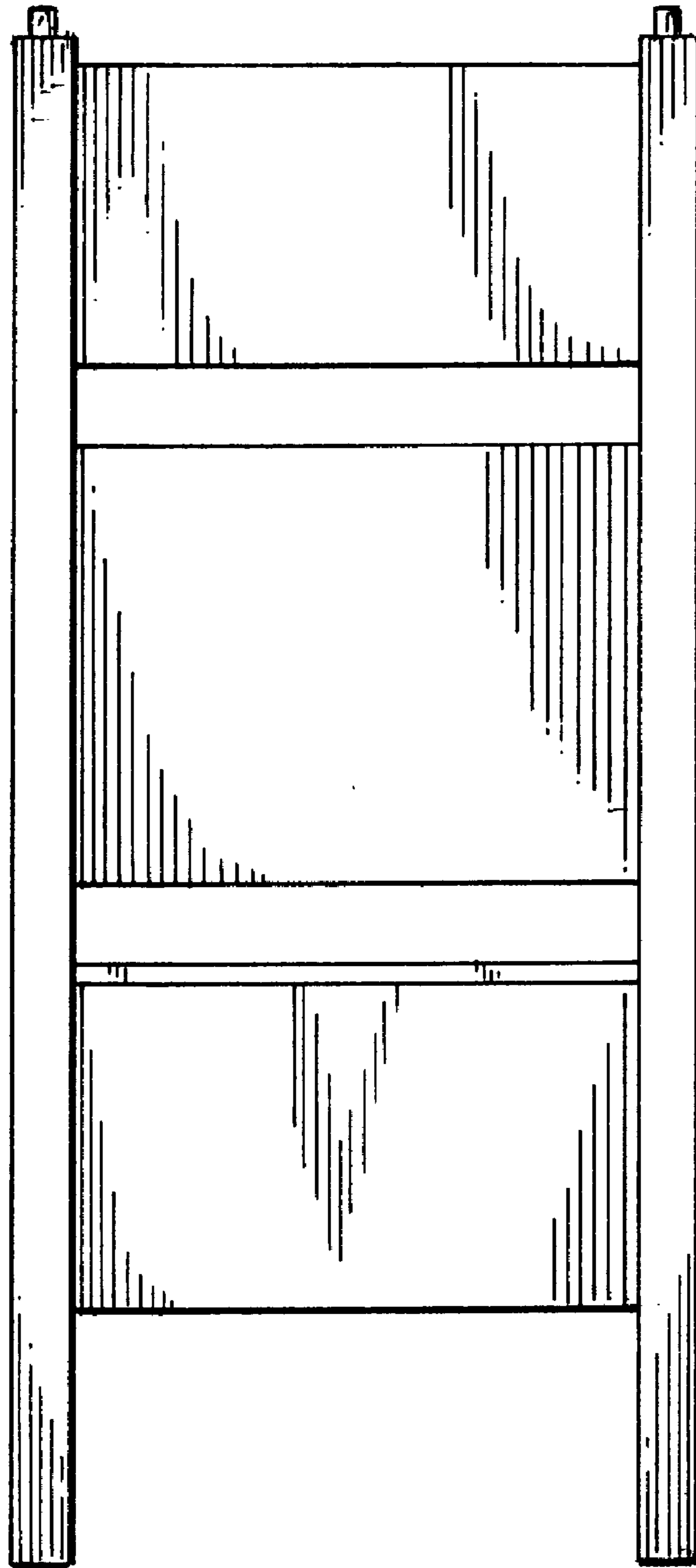


FIG. 6