



US00D412068S

United States Patent [19] Lange, Jr.

[11] **Patent Number: Des. 412,068**
[45] **Date of Patent: ** Jul. 20, 1999**

[54] **SEATING OTTOMAN**

[75] **Inventor: Clement M. Lange, Jr.,** Huntingburg, Ind.

[73] **Assignee: Best Chairs, Inc.,** Ferdinand, Ind.

[**] **Term: 14 Years**

[21] **Appl. No.: 29/095,612**

[22] **Filed: Oct. 27, 1998**

[51] **LOC (6) Cl. 06-01**

[52] **U.S. Cl. D6/349**

[58] **Field of Search D6/349, 351-353;
297/461, 462, 423.1, 423.39**

- D. 333,806 3/1993 Davidson .
- D. 341,343 11/1993 Netz .
- D. 341,493 11/1993 Morgan et al. .
- D. 376,566 12/1996 Davidson et al. .
- D. 383,008 9/1997 Blaesing .
- D. 388,256 12/1997 Cambra et al. .
- D. 388,746 1/1998 Davidson et al. .
- D. 389,794 1/1998 Davidson .
- D. 396,671 8/1998 Davidson et al. .

Primary Examiner—Janice E. Seeger
Attorney, Agent, or Firm—Wood, Herron & Evans, LLP

[57] CLAIM

The ornamental design for a seating ottoman, as shown and described.

DESCRIPTION

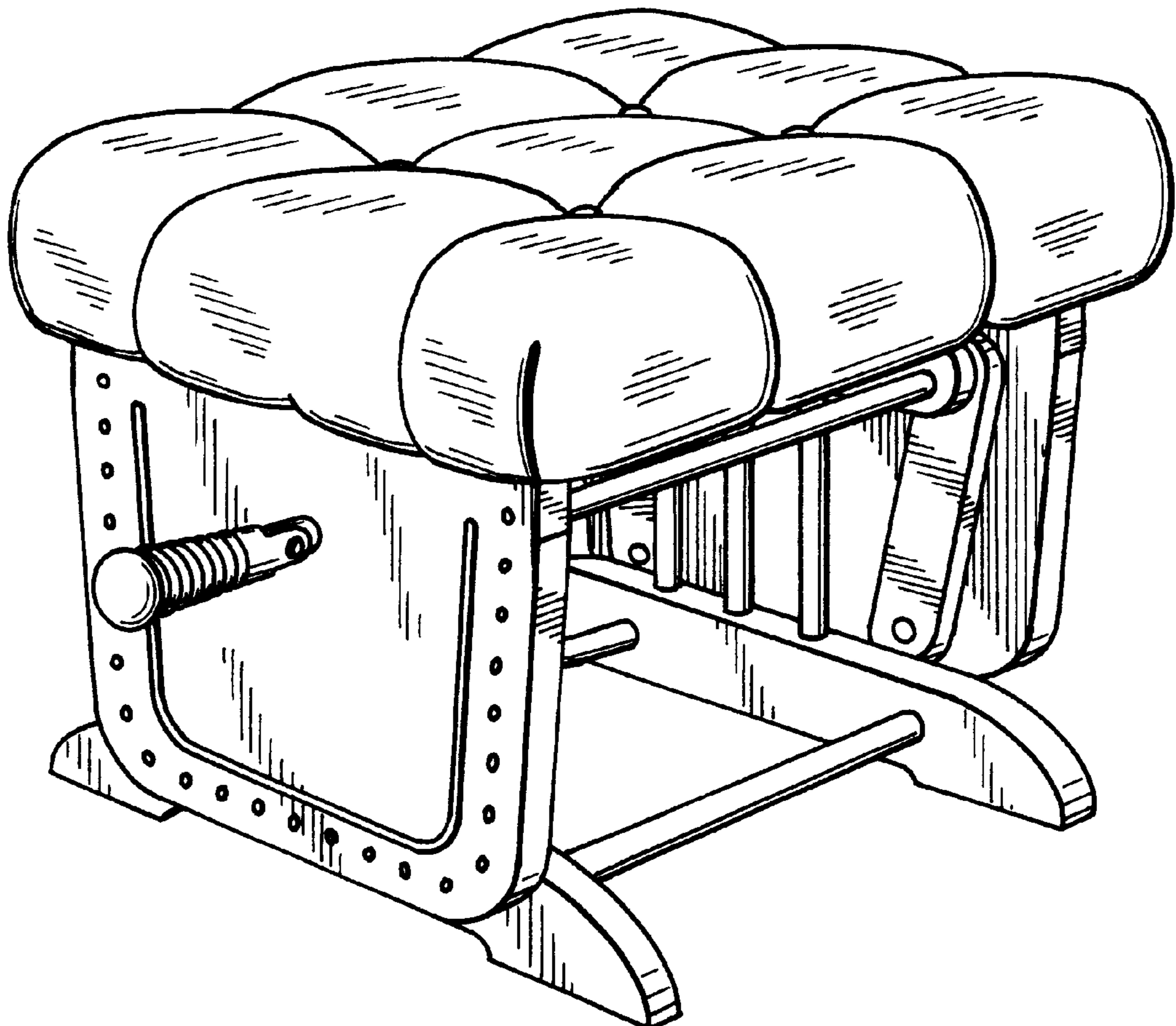
FIG. 1 is a perspective view of a seating ottoman showing my new design;
FIG. 2 is a front elevational view thereof, the rear elevational view being a mirror image thereof;
FIG. 3 is a side elevational view thereof, the opposite side being a mirror image thereof;
FIG. 4 is a top plan view thereof; and,
FIG. 5 is a bottom plan view thereof.

[56] References Cited

U.S. PATENT DOCUMENTS

D. 217,145	4/1970	Solie	D6/349
D. 233,492	11/1974	Gilbert	D6/349
D. 257,451	10/1980	Culler	D6/349
D. 274,995	8/1984	Richards et al. .	
D. 275,093	8/1984	Hunt .	
D. 278,225	4/1985	Heiman et al. .	
D. 299,220	1/1989	Trusky .	
D. 301,437	6/1989	Bleustein et al. .	
D. 319,352	8/1991	Desnoyers	D6/349

1 Claim, 3 Drawing Sheets



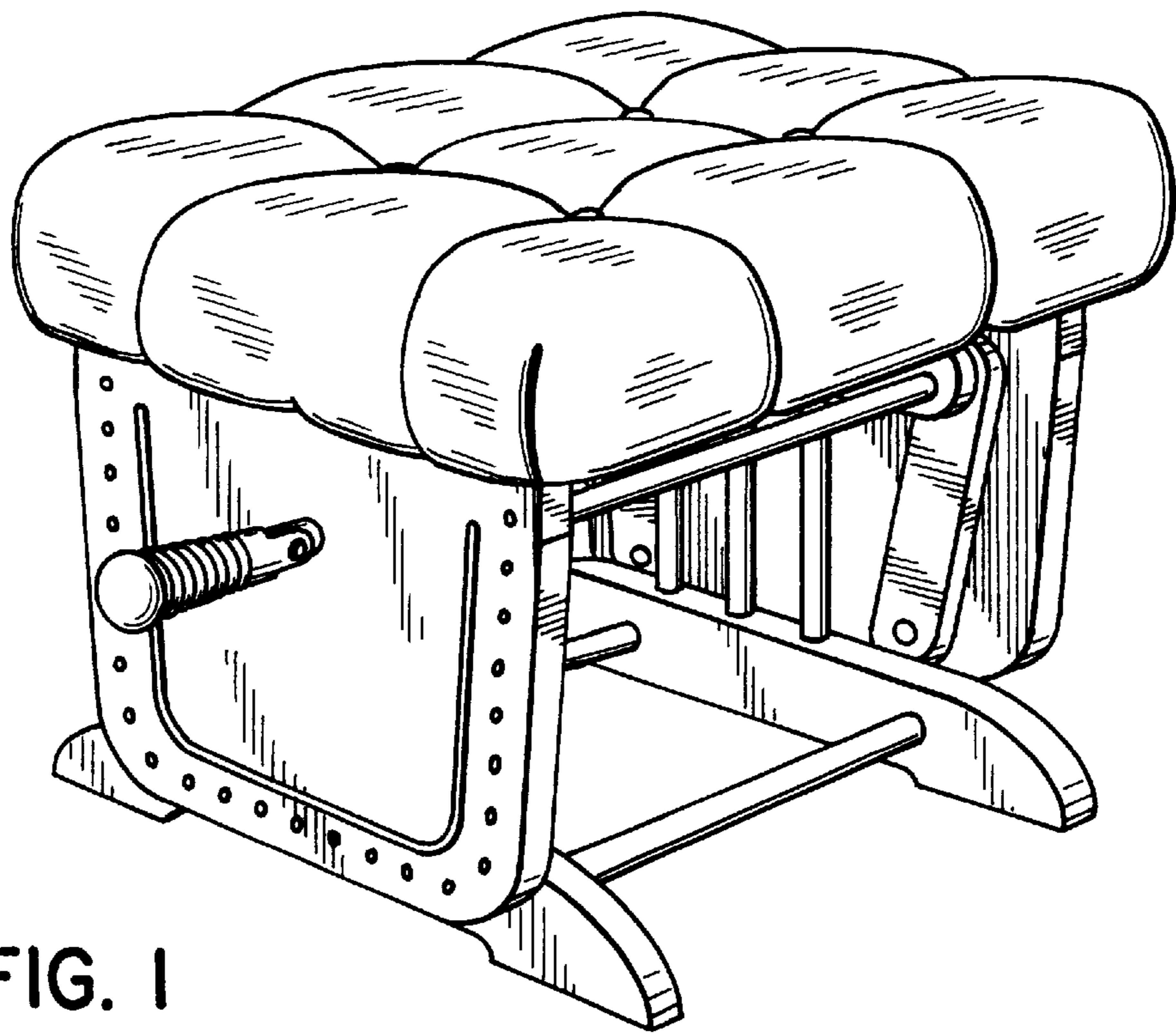


FIG. 1

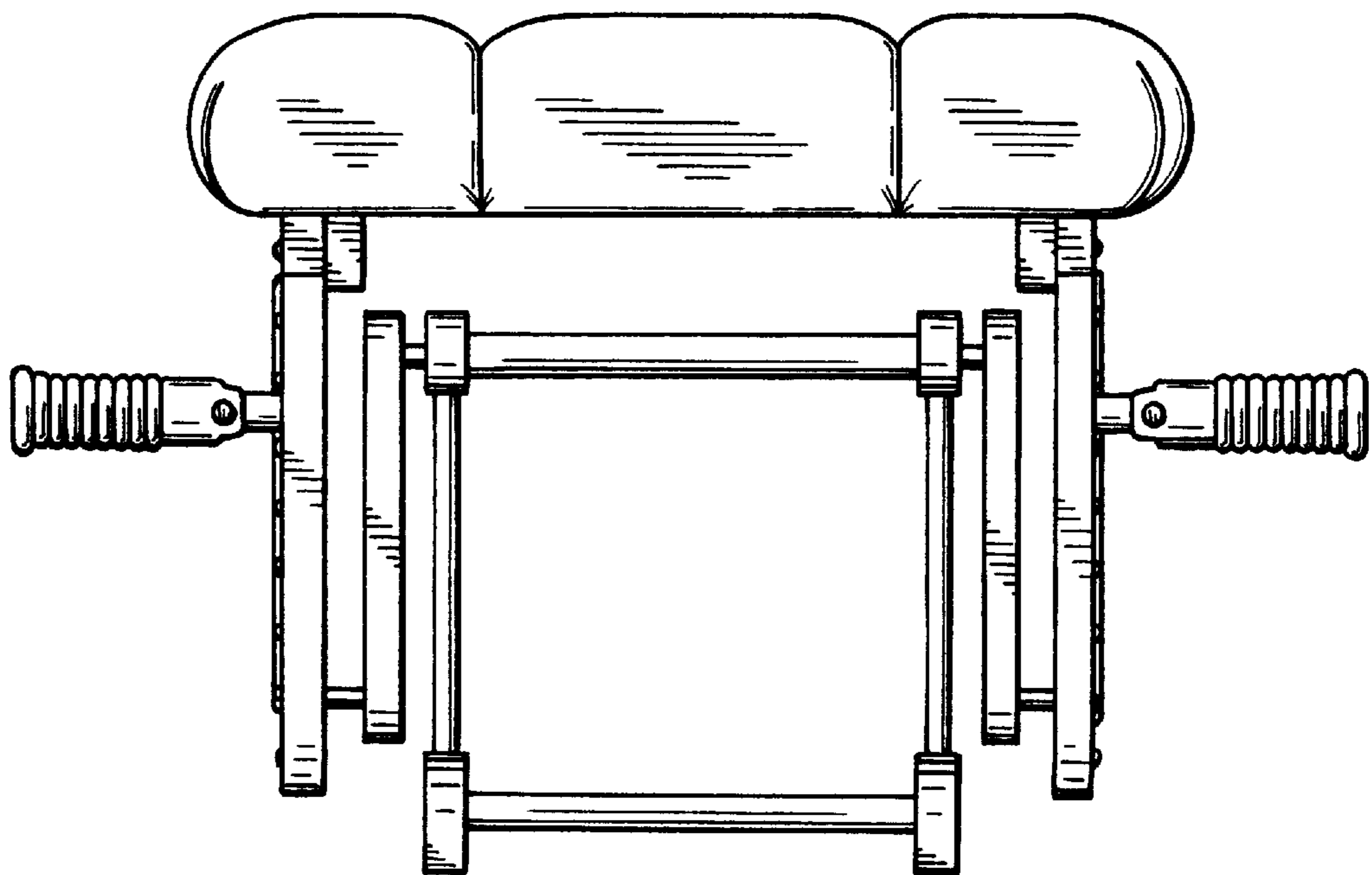


FIG. 2

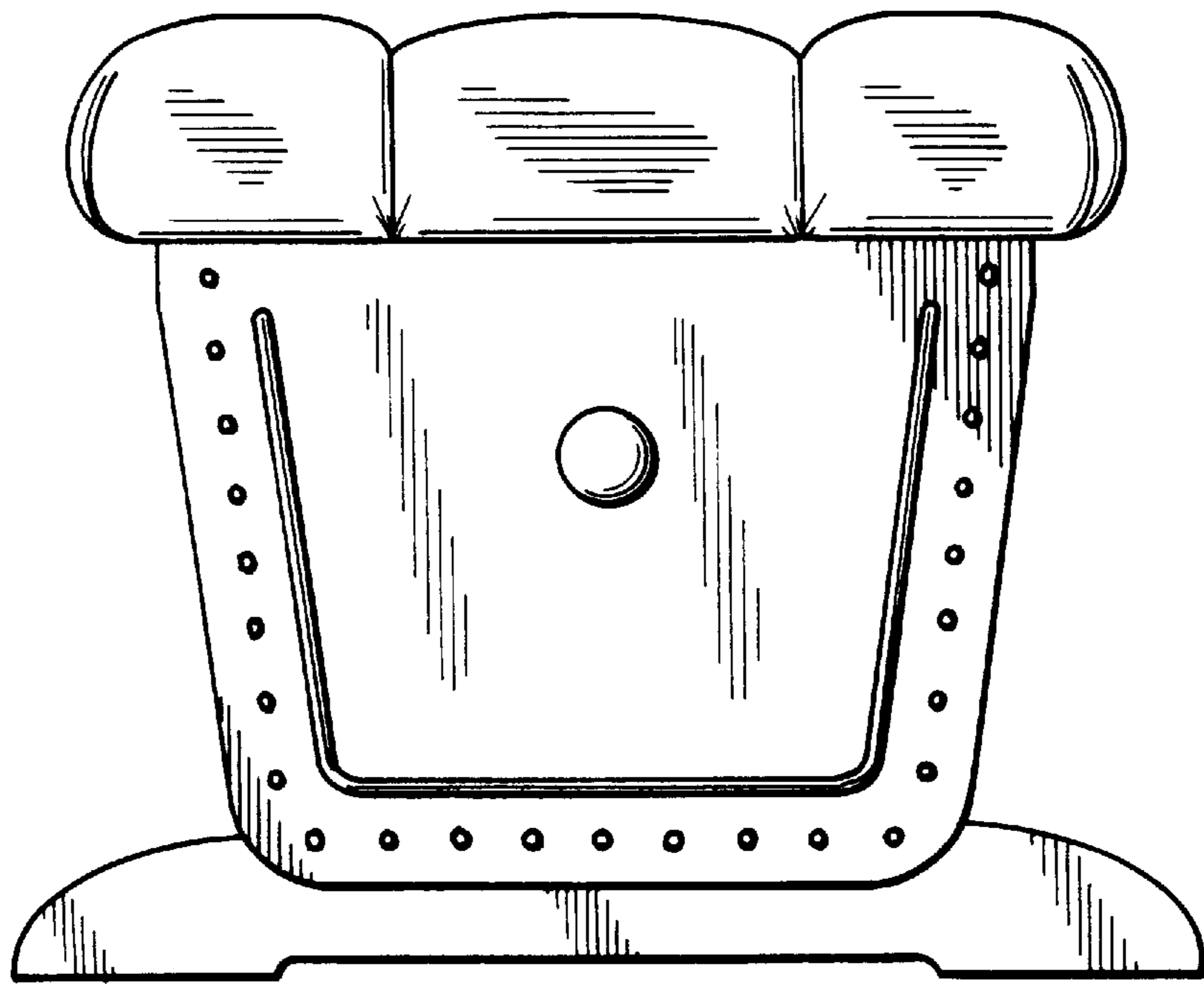


FIG. 3

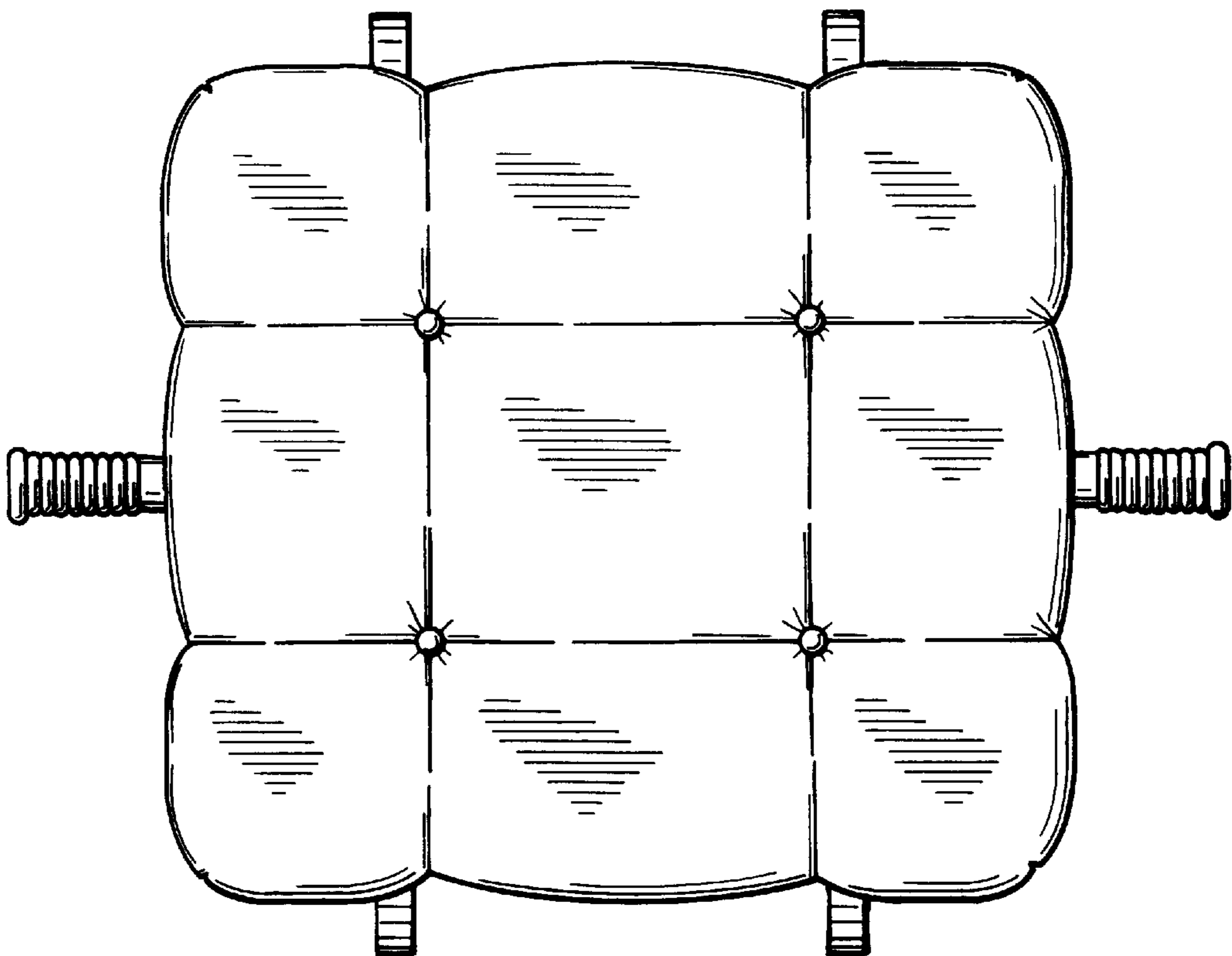


FIG. 4

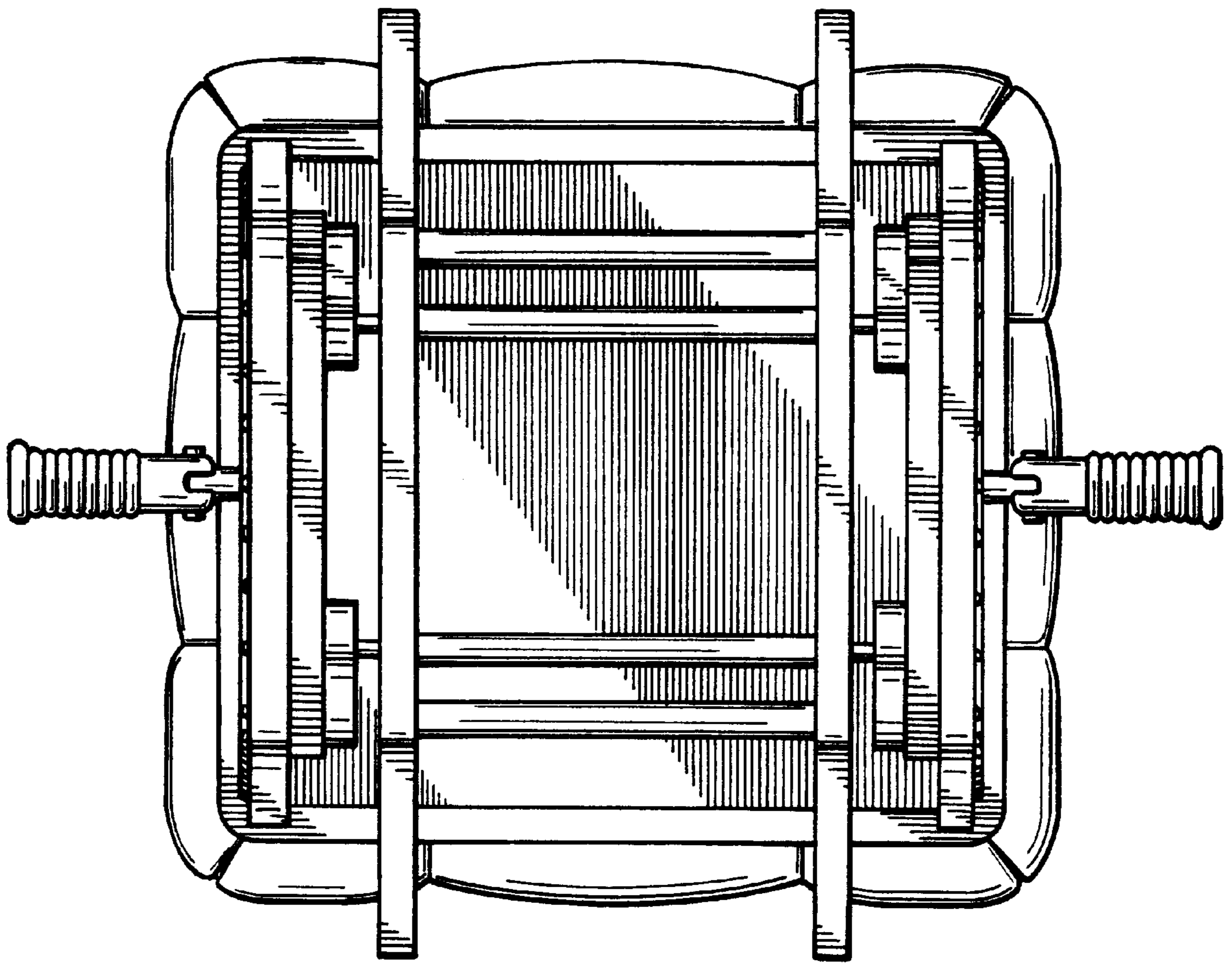


FIG. 5