



US00D412067S

United States Patent [19]
Wu

[11] **Patent Number: Des. 412,067**

[45] **Date of Patent: ** Jul. 20, 1999**

[54] **SWING CHAIR**

[76] Inventor: **Sung-Tsun Wu**, 8F-1, No. 249, Chung Ching Road, Pan Chiao City, Taipei Hsien, Taiwan

[**] Term: **14 Years**

[21] Appl. No.: **29/082,267**

[22] Filed: **Jan. 20, 1998**

[51] **LOC (6) Cl.** **06-01**

[52] **U.S. Cl.** **D6/344**

[58] **Field of Search** D6/333, 334, 335, D6/344, 347, 500; D21/823, 825; 297/273, 281; 472/118, 119, 122, 125

[56] **References Cited**

U.S. PATENT DOCUMENTS

D. 368,816 4/1996 Mitchell et al. D6/333
4,822,033 4/1989 Kohus et al. 297/273

5,525,113 6/1996 Mitchell et al. 472/119
5,769,727 6/1998 Fair et al. 472/119
5,803,817 9/1998 Stern 472/118

Primary Examiner—Doris V. Coles

Assistant Examiner—Mimosa De

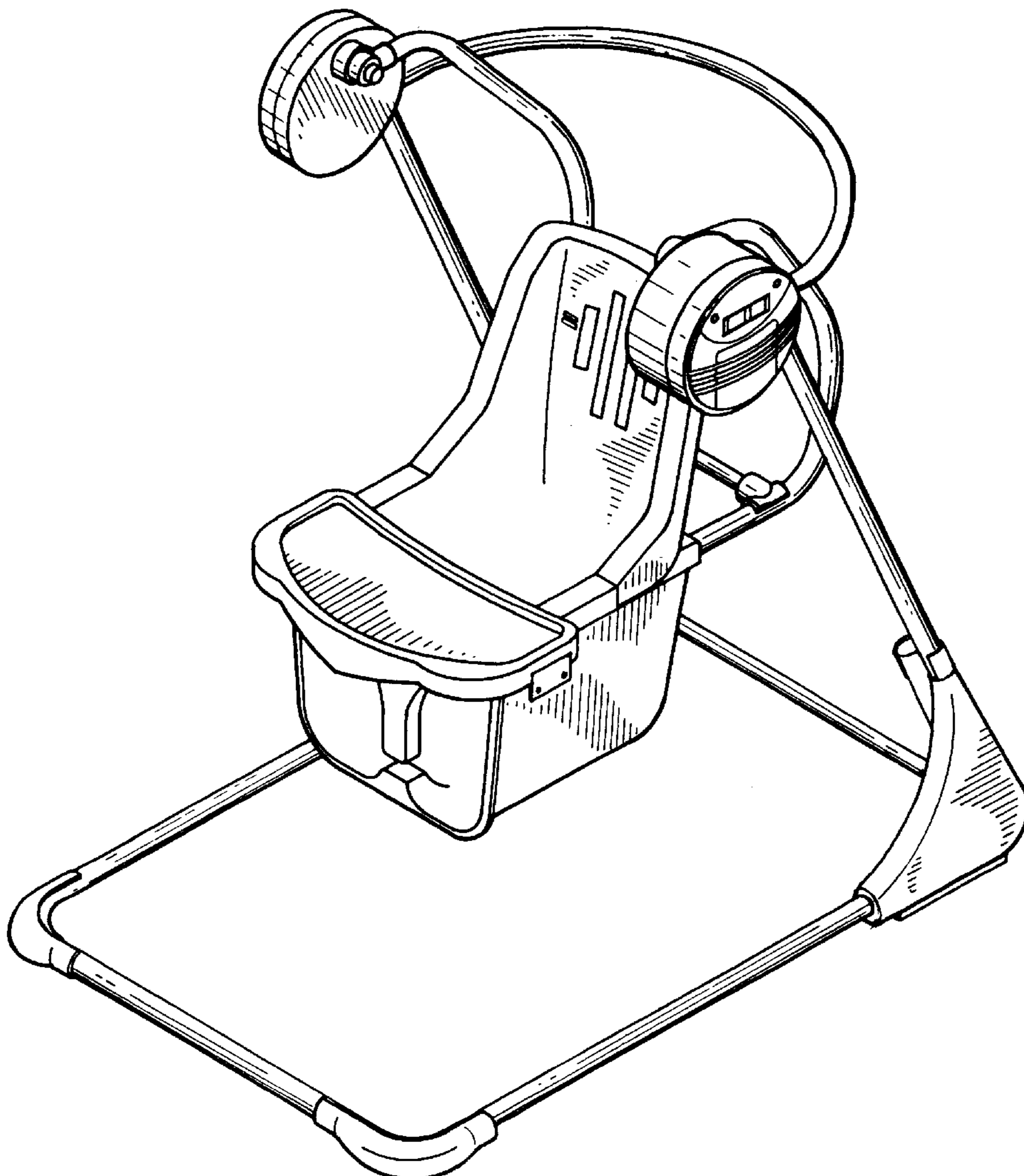
[57] **CLAIM**

The ornamental design for swing chair, as shown and described.

DESCRIPTION

FIG. 1 is a perspective view of swing chair showing my new design;
FIG. 2 is a front elevational view thereof;
FIG. 3 is a rear elevational view thereof;
FIG. 4 is a left side elevational view thereof;
FIG. 5 is a right side elevational view thereof;
FIG. 6 is a top view thereof; and,
FIG. 7 is a bottom view thereof.

1 Claim, 6 Drawing Sheets



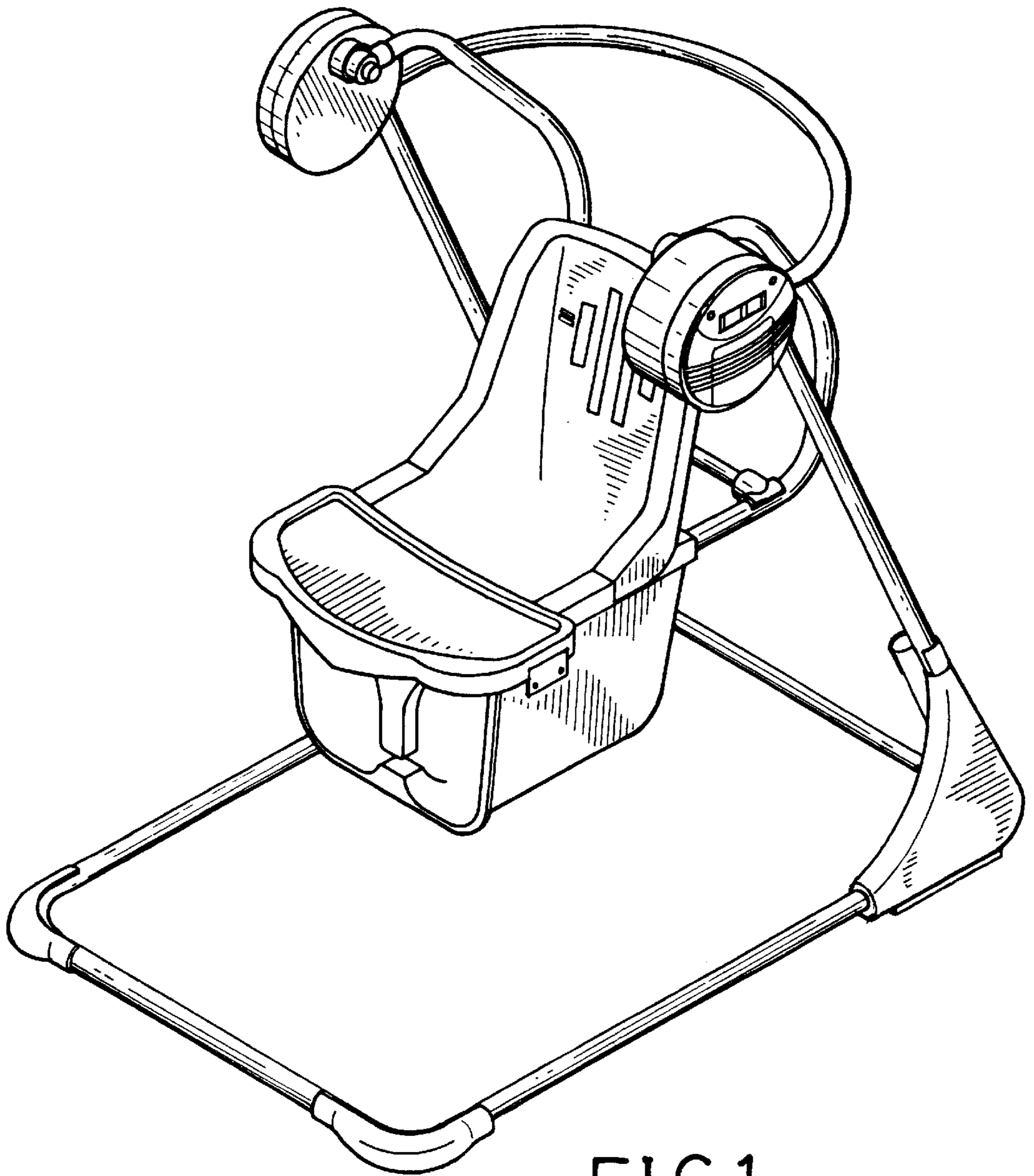


FIG. 1

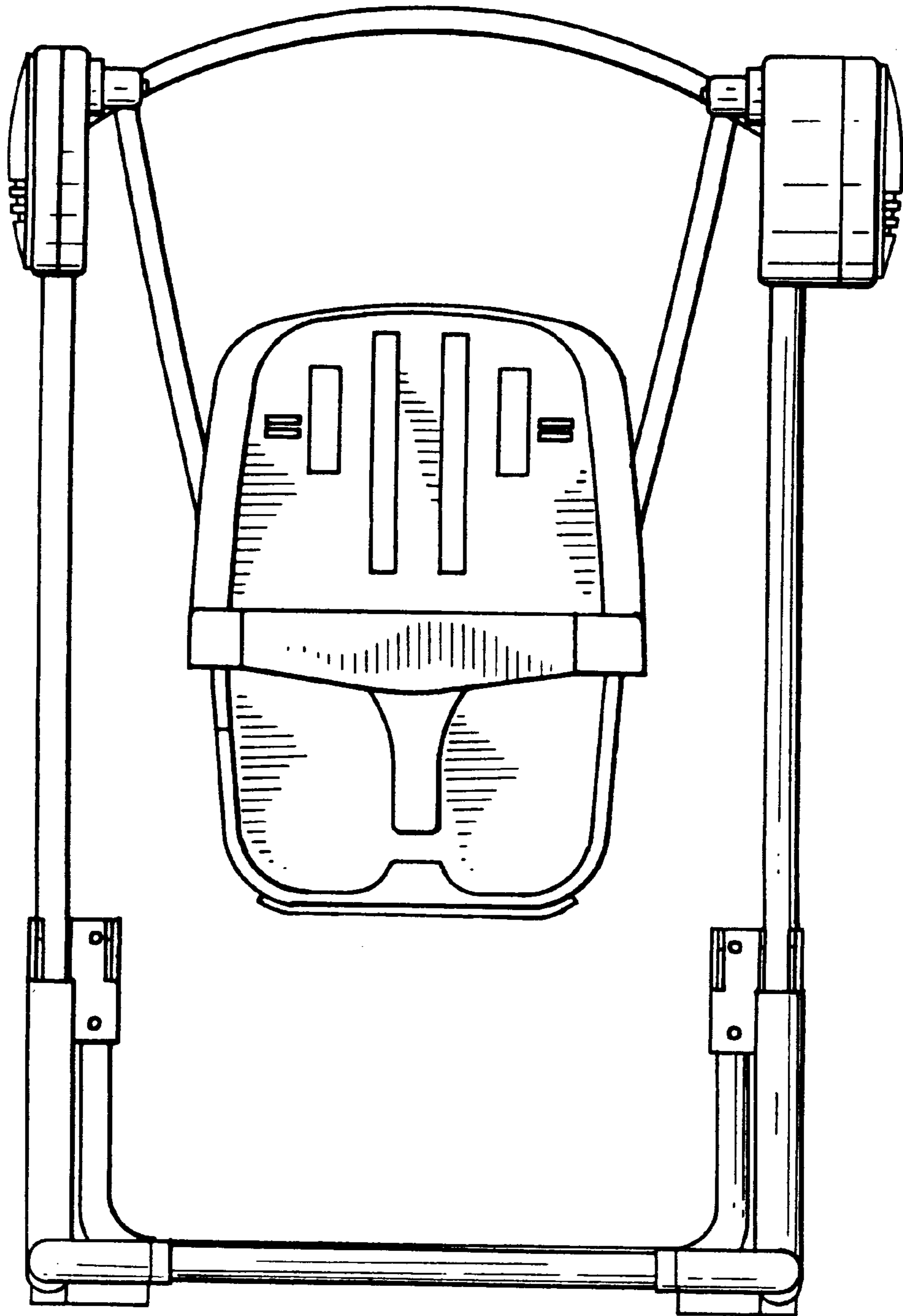


FIG. 2

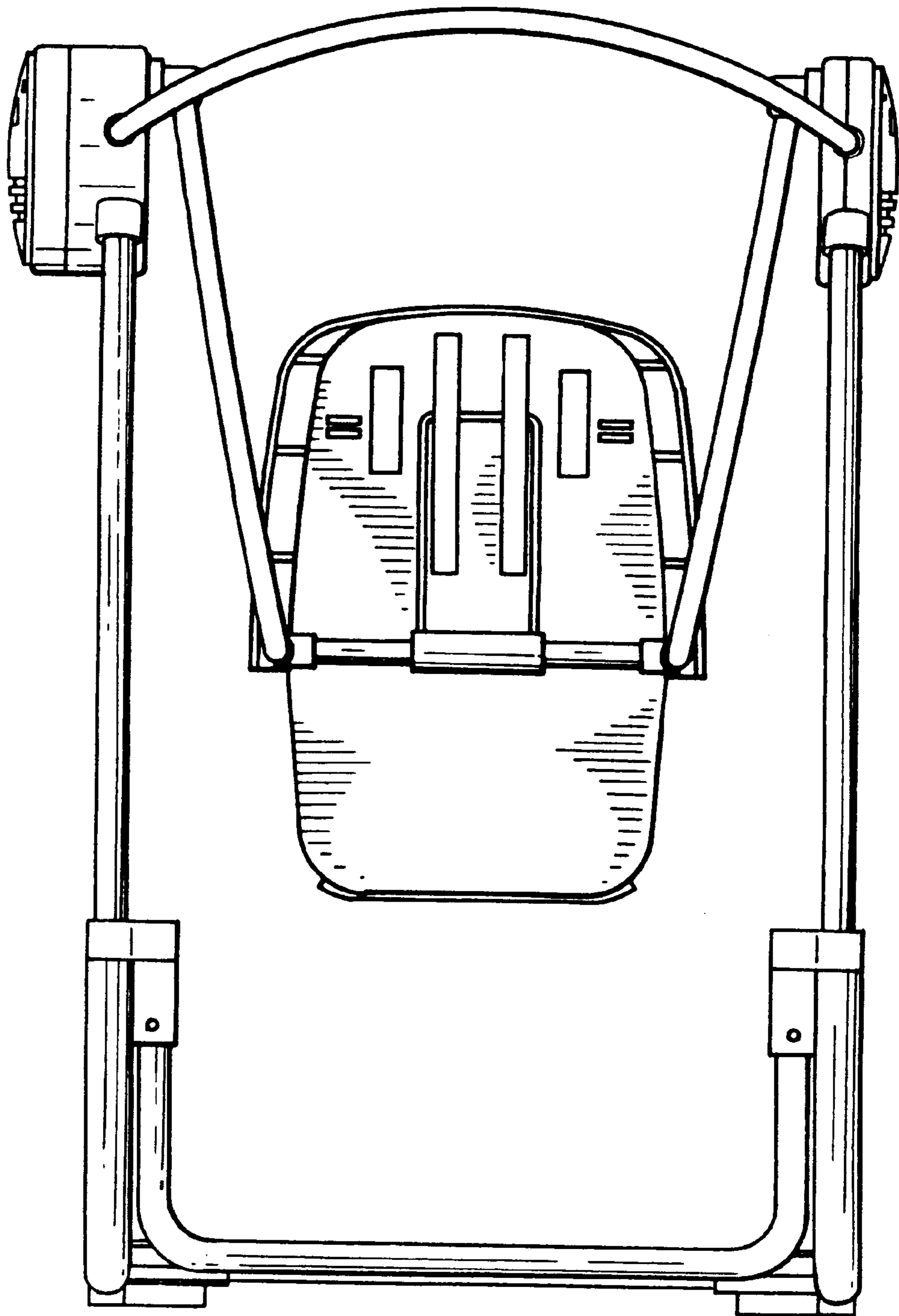


FIG. 3

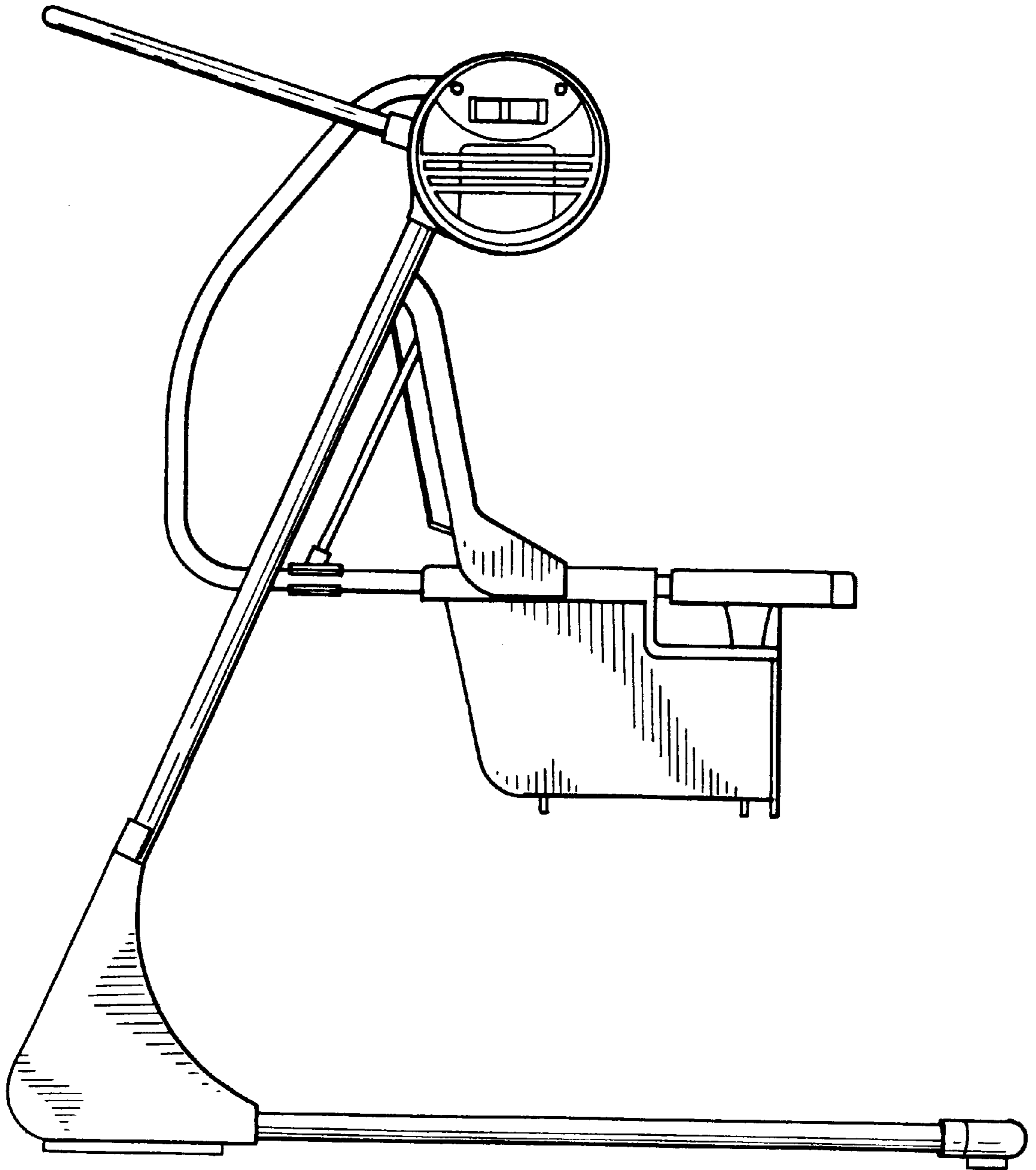


FIG. 4

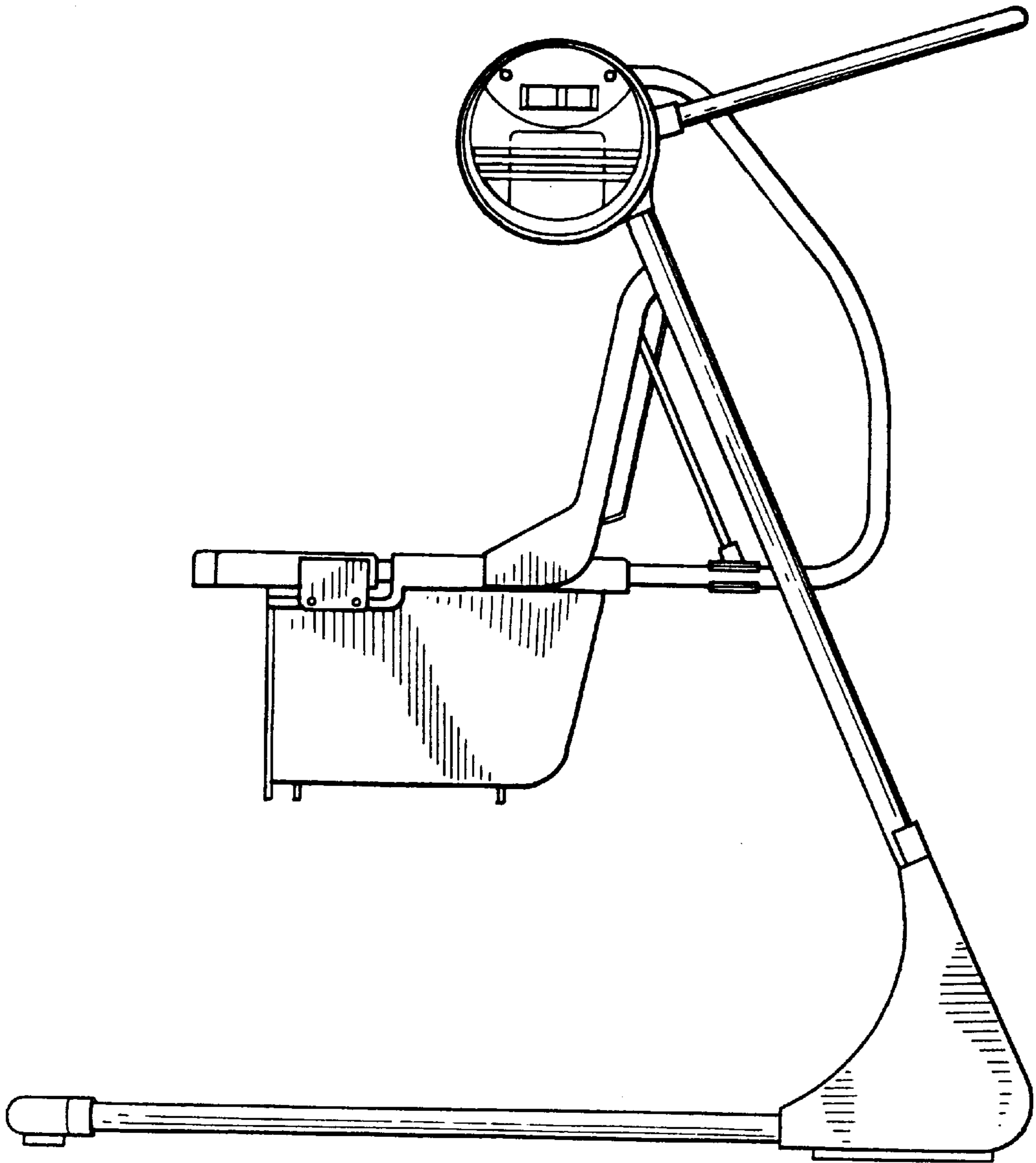


FIG. 5

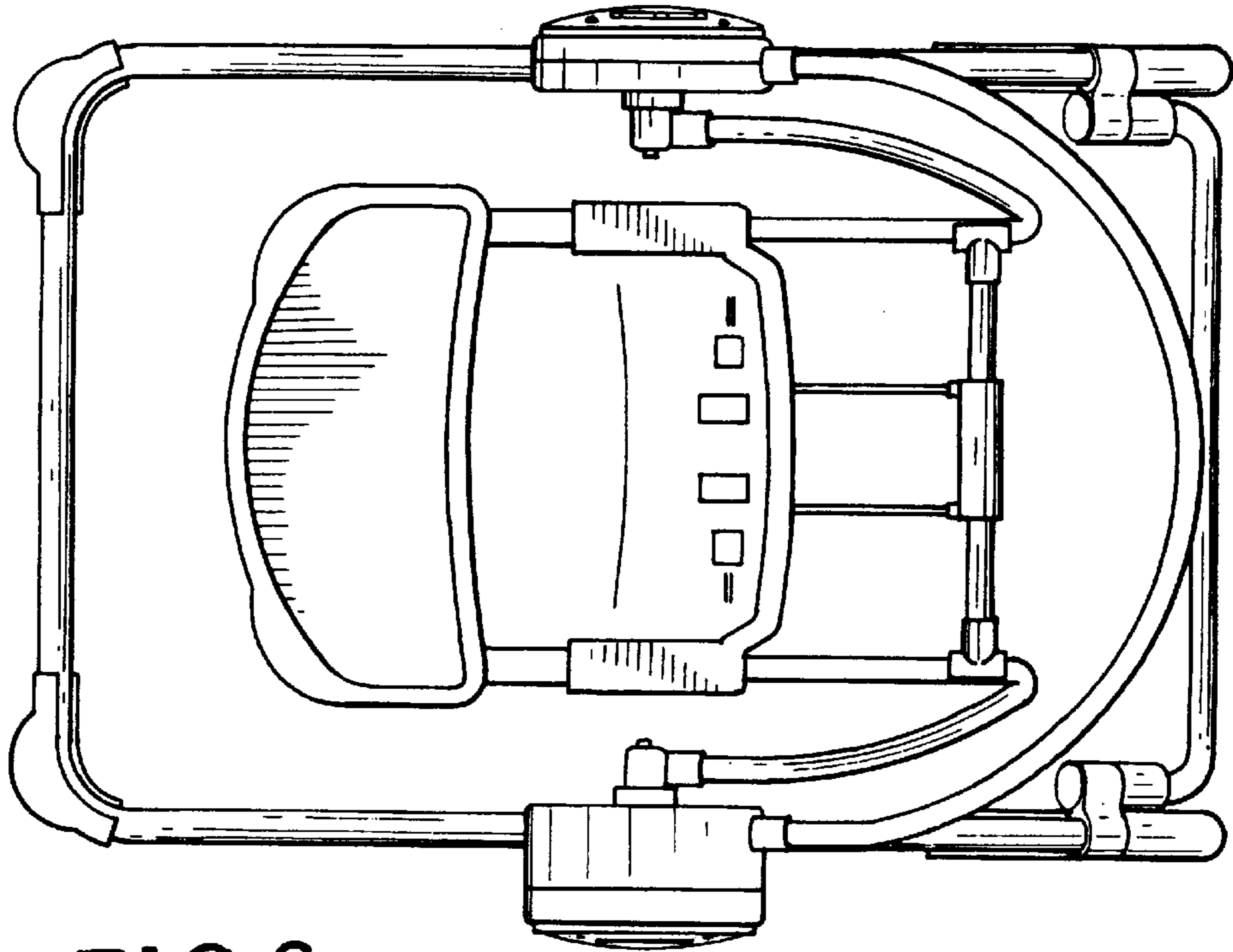


FIG. 6

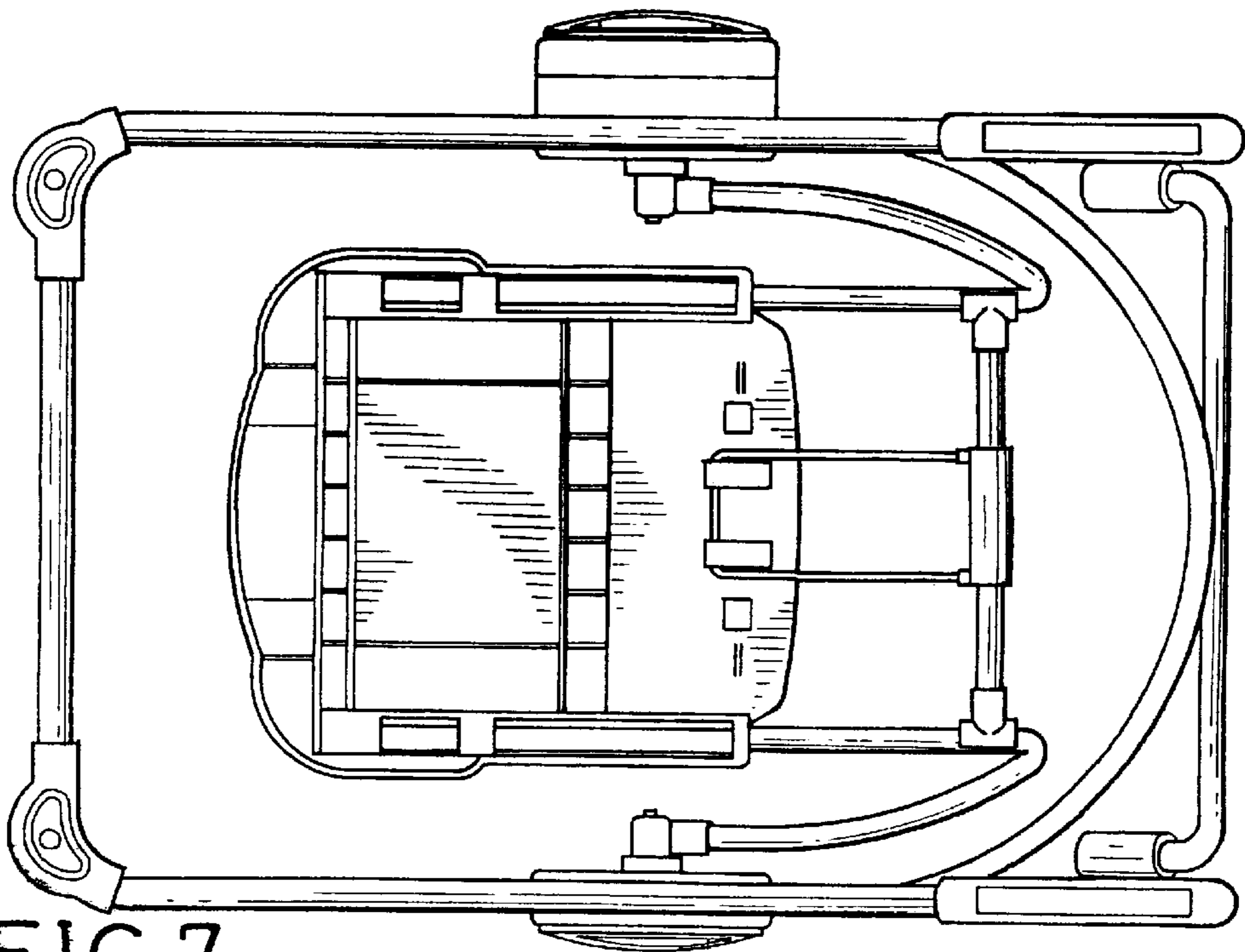


FIG. 7