



US00D412066S

United States Patent [19] Linder

[11] **Patent Number: Des. 412,066**
[45] **Date of Patent: ** Jul. 20, 1999**

[54] **CHILDREN'S INFLATABLE CHAIR**

[75] Inventor: **Steven G. Linder**, Great Neck, N.Y.

[73] Assignee: **Sterling Promotional Corp.**, Great Neck, N.Y.

[**] Term: **14 Years**

[21] Appl. No.: **29/084,191**

[22] Filed: **Feb. 26, 1998**

[51] **LOC (6) Cl.** **06-01**

[52] **U.S. Cl.** **D6/334**

[58] **Field of Search** D6/333, 334, 335,
D6/336, 374, 375, 500, 501, 502, 604;
D12/316; D21/801, 803, 809; 297/452.1,
452.41, DIG. 8; 441/129, 130

[56] **References Cited**

U.S. PATENT DOCUMENTS

- D. 112,045 11/1938 Roberts .
- D. 187,313 2/1960 Denyer .
- D. 193,889 10/1962 Buzzitta .
- D. 237,027 10/1975 Bernard .
- D. 280,123 8/1985 Maertin .
- D. 287,528 12/1986 Maxwell et al. .
- D. 289,075 3/1987 Wolfe .
- D. 330,578 10/1992 Cochran .
- D. 371,252 7/1996 Chaput .

- D. 378,169 2/1997 Yu .
- D. 391,774 3/1998 Yu .
- D. 395,556 6/1998 Lieberman D6/334
- D. 399,350 10/1998 Hudson et al. D6/334
- 2,803,839 8/1957 Mosley .
- 2,980,927 4/1961 Waters, Sr. .
- 3,635,528 1/1972 Strom 297/452.41

FOREIGN PATENT DOCUMENTS

ZL 93310206 12/1994 Taiwan .

Primary Examiner—Doris V. Coles

Assistant Examiner—Mimosa De

Attorney, Agent, or Firm—Amster, Rothstein & Ebenstein

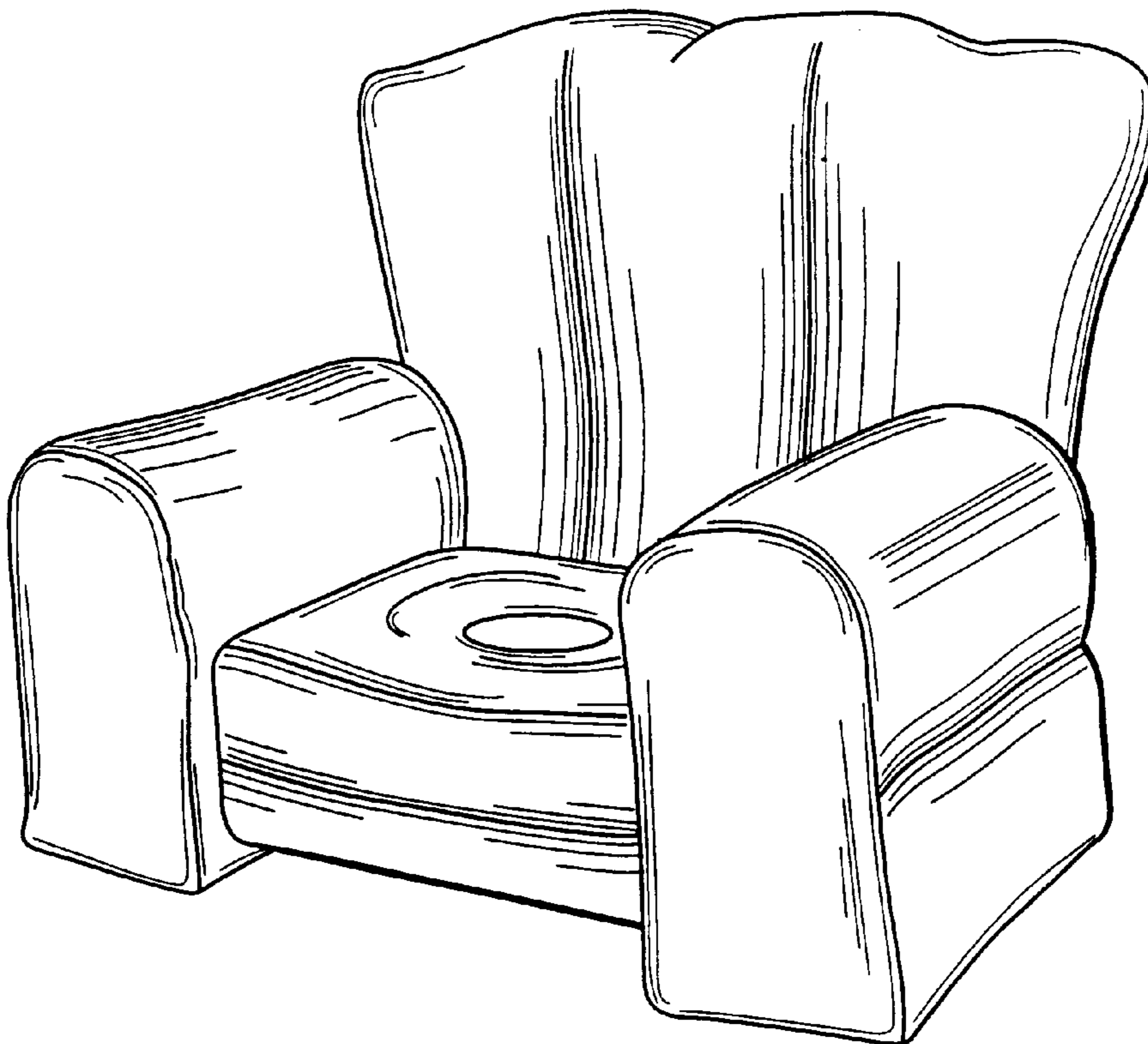
[57] CLAIM

The ornamental design for a children's inflatable chair as shown and described.

DESCRIPTION

FIG. 1 is a perspective view from the top, front and one side for children's inflatable chair showing my new design;
 FIG. 2 is a top view thereof;
 FIG. 3 is a bottom view thereof;
 FIG. 4 is a right side view thereof it been understood that the left side view is a mirror image of that shown,
 FIG. 5 is a front view thereof; and,
 FIG. 6 is a back view thereof.

1 Claim, 3 Drawing Sheets



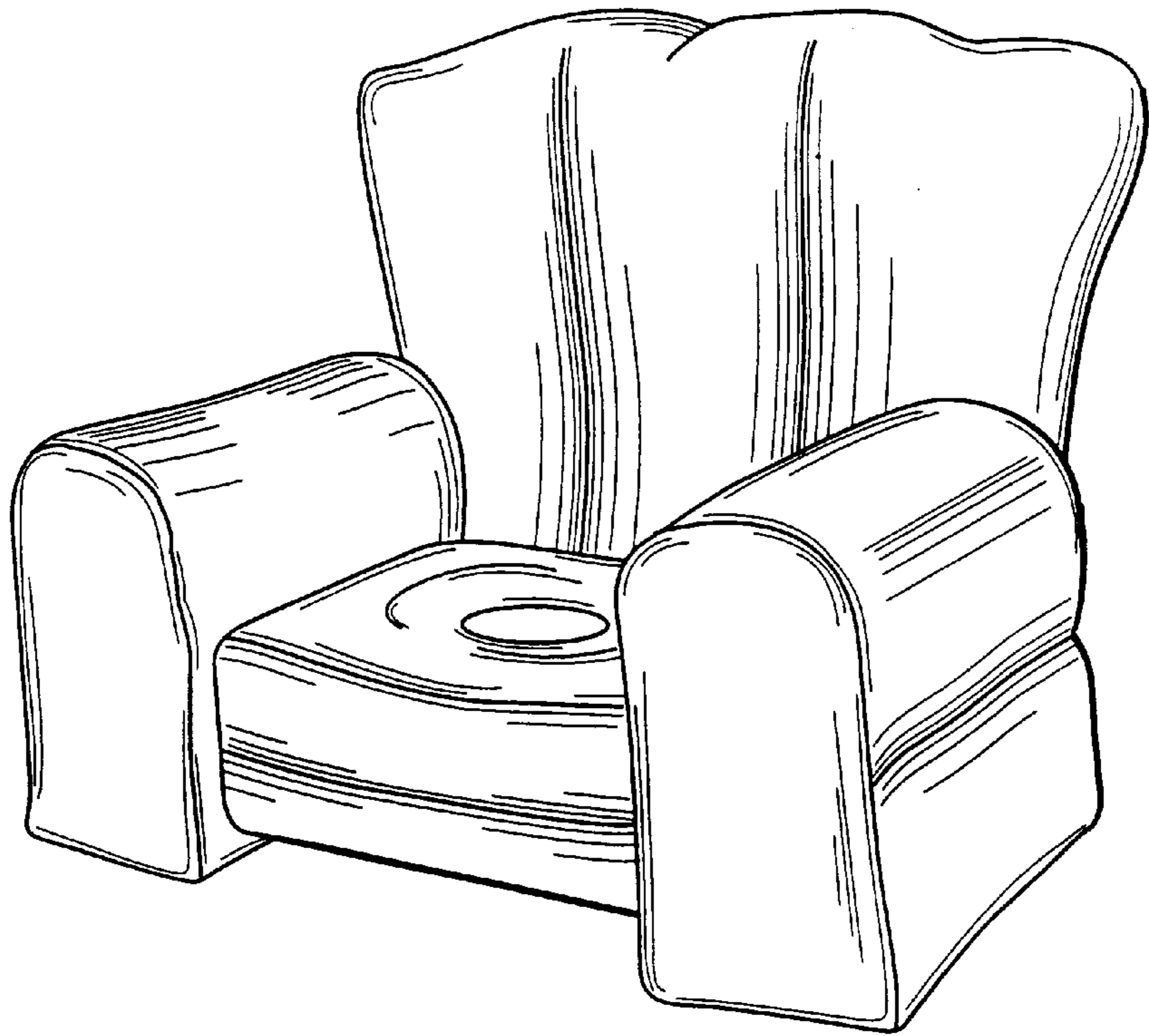


FIG. 1

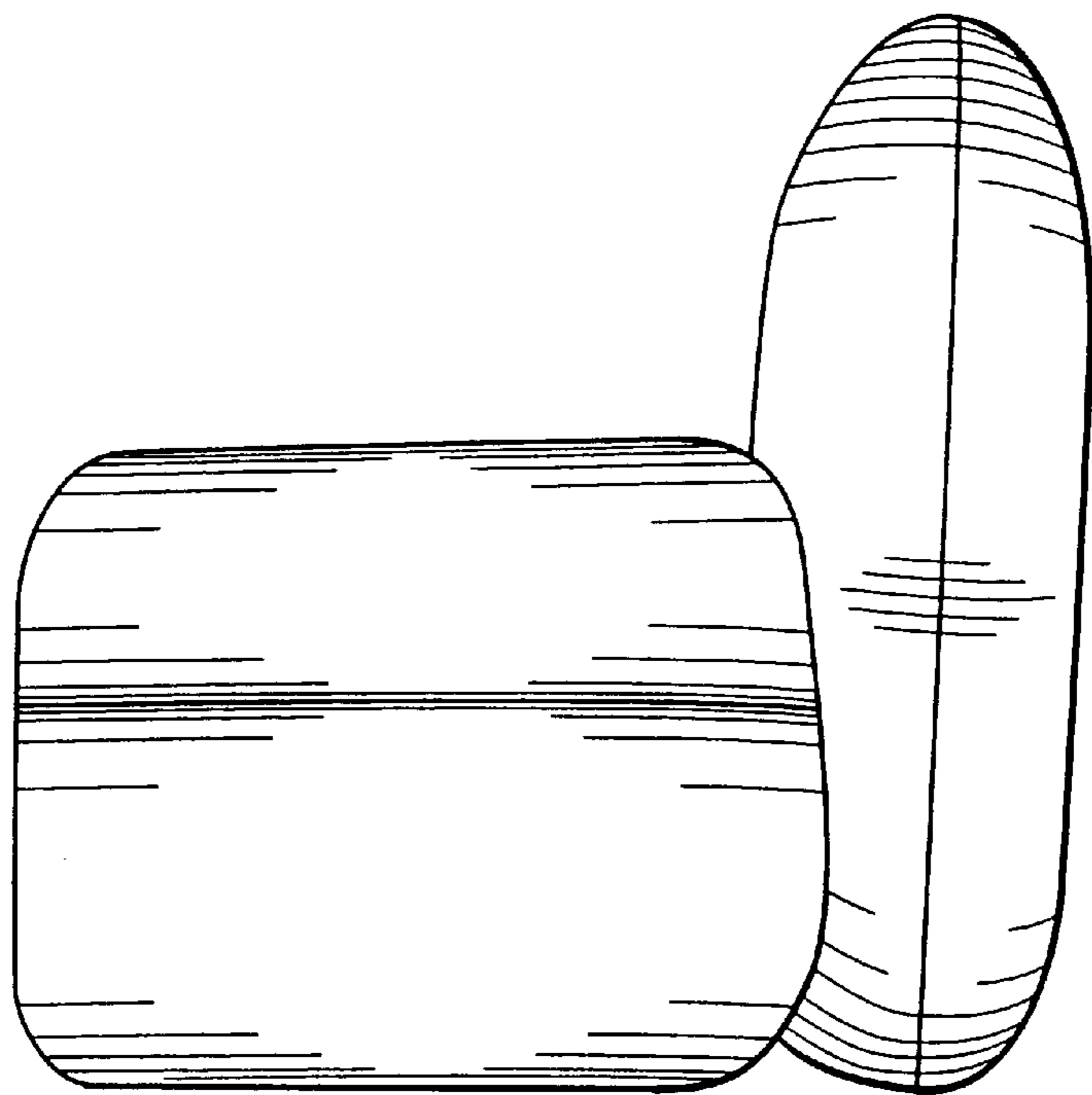


FIG. 4

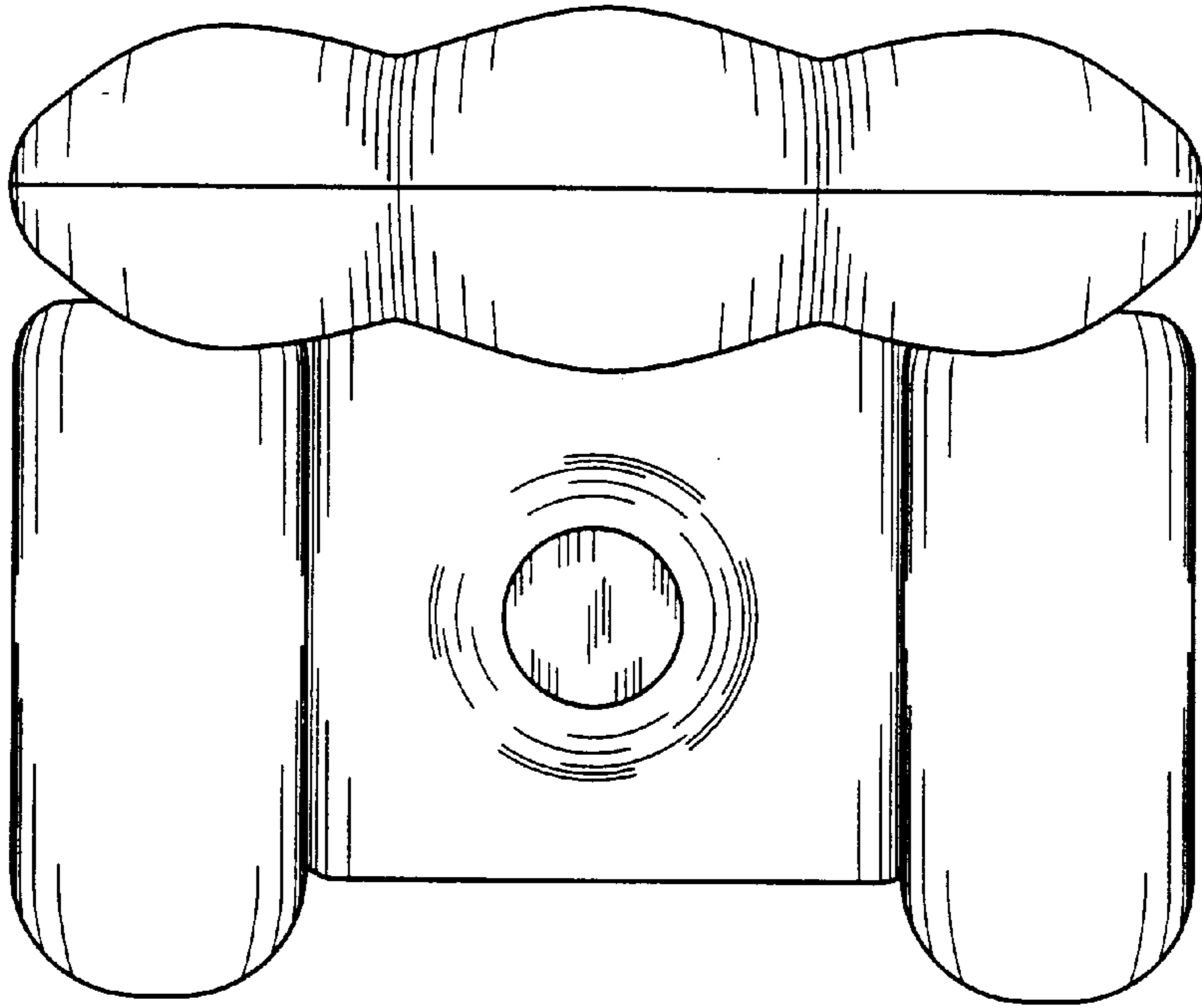


FIG. 2

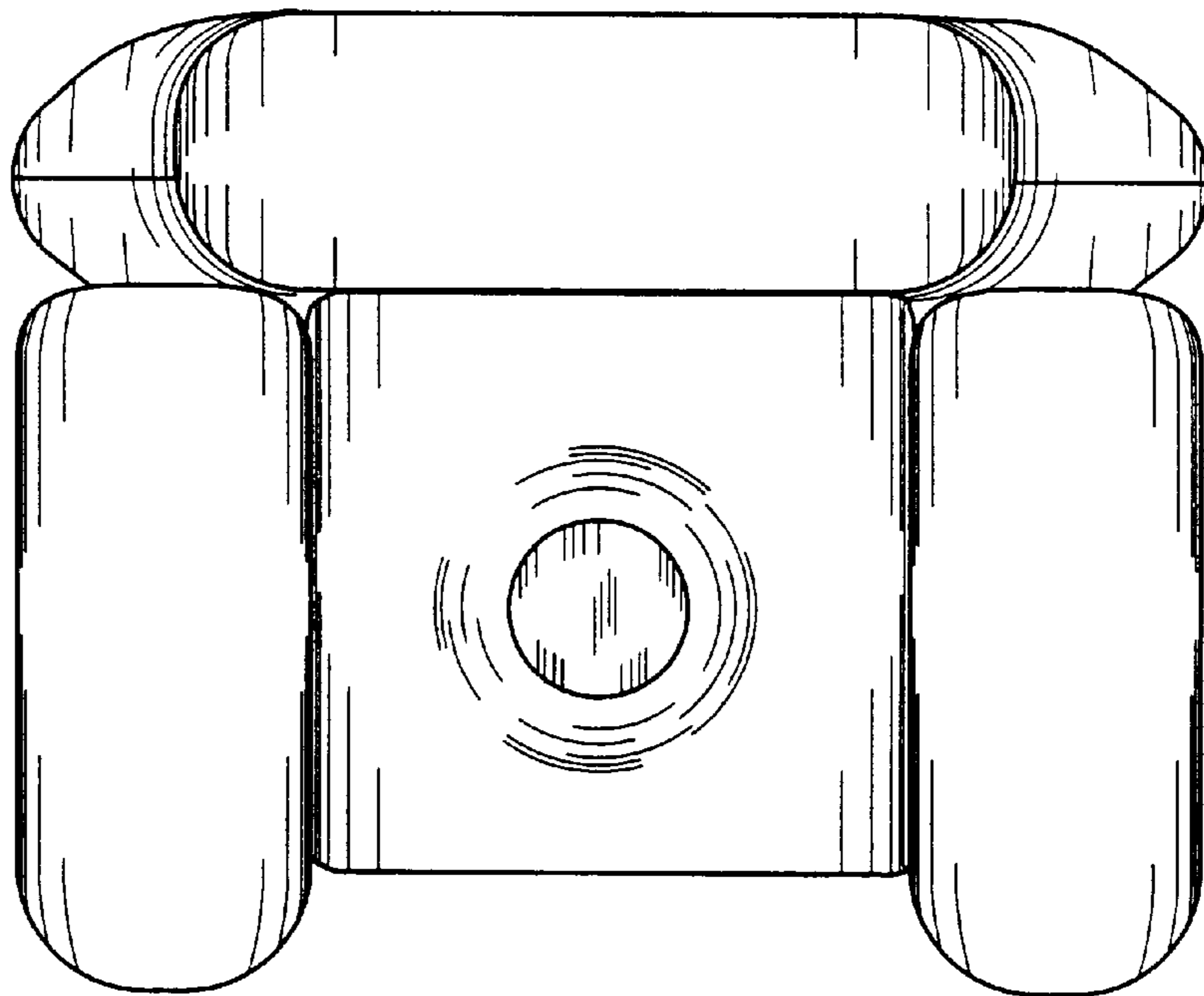


FIG. 3

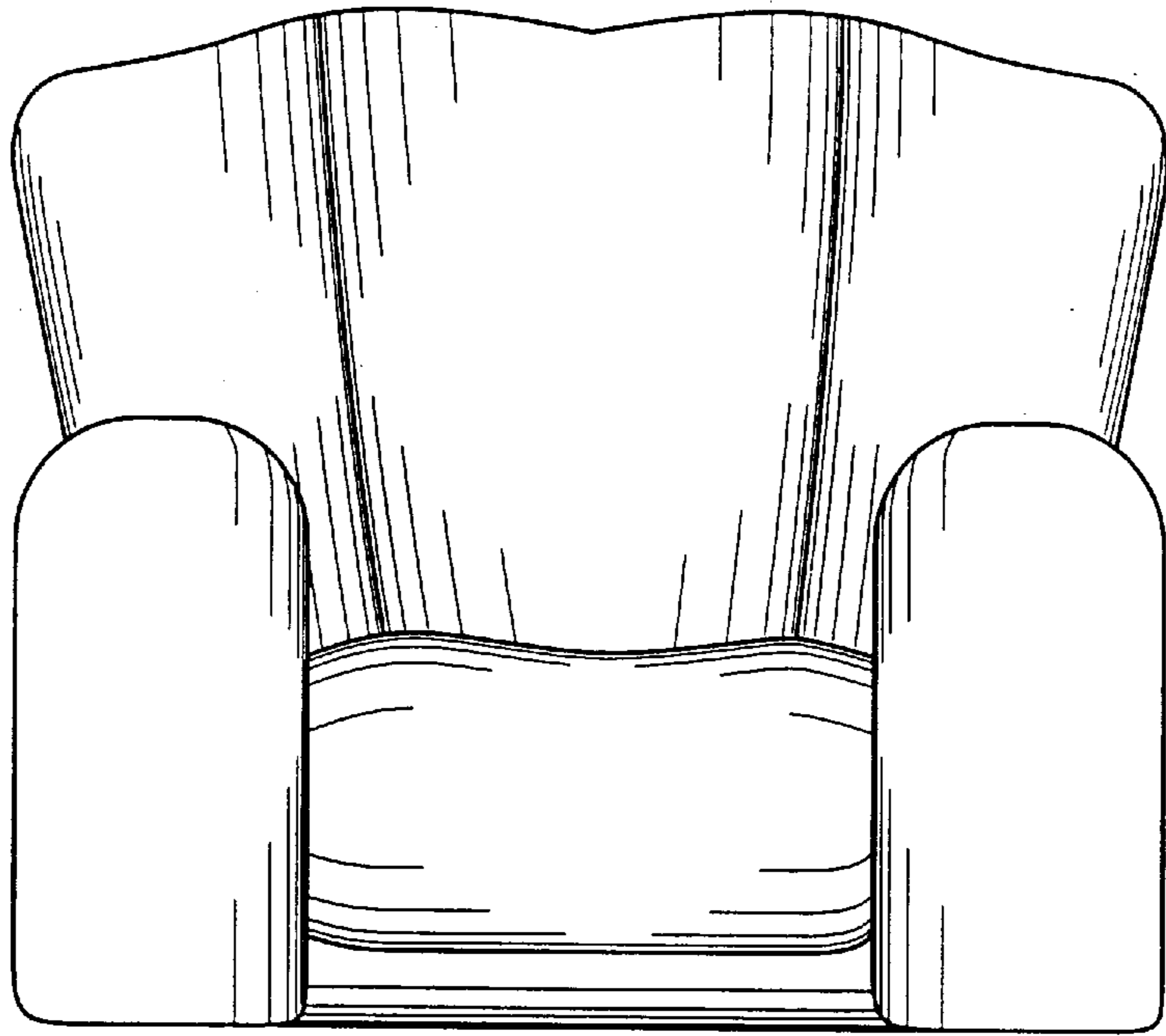


FIG. 5

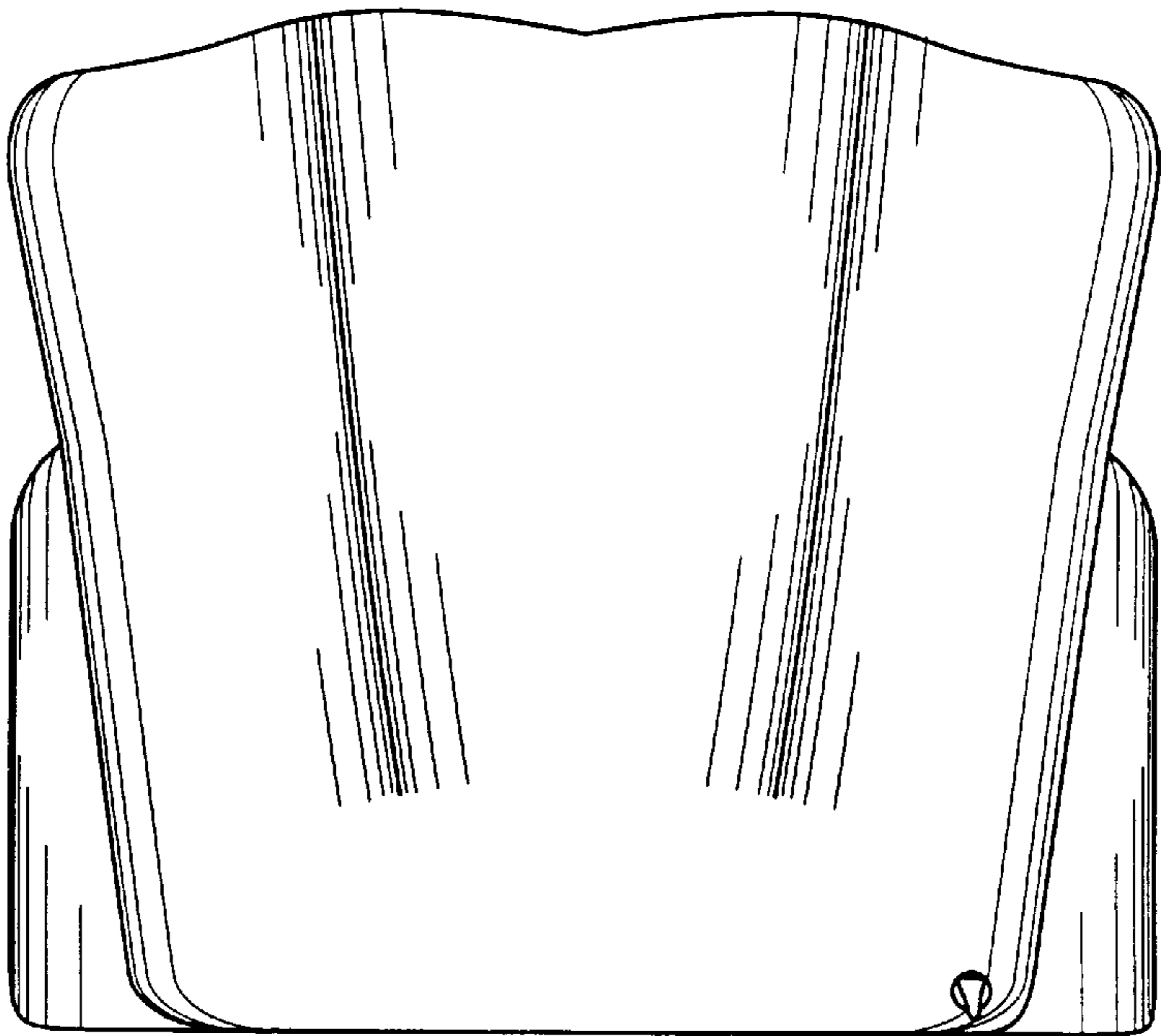


FIG. 6