



US00D412065S

# United States Patent [19]

[11] Patent Number: **Des. 412,065**

**Berti**

[45] Date of Patent: **\*\* Jul. 20, 1999**

[54] **BROOM HEAD**

*Attorney, Agent, or Firm—*Marshall, O’Toole, Gerstein, Murray & Borun

[75] Inventor: **Enzo Berti**, Dolo/Venice, Italy

[57] **CLAIM**

[73] Assignee: **The Libman Company**, Arcola, Ill.

The ornamental design for a broom head, as shown and described.

[\*\*] Term: **14 Years**

**DESCRIPTION**

[21] Appl. No.: **29/085,803**

FIG. 1 is a perspective view of a broom head in accordance with the present invention;

[22] Filed: **Mar. 31, 1998**

FIG. 2 is a top view;

[51] **LOC (6) Cl.** ..... **04-01**

FIG. 3 is a right-side view, the left-side view being a mirror image thereof;

[52] **U.S. Cl.** ..... **D4/199; D4/118**

FIG. 4 is a bottom view;

[58] **Field of Search** ..... D4/118, 130, 132, D4/134, 135, 138, 199; 15/111, 159.1, 160, 171, 186, 187, 176.1

FIG. 5 is a back view;

FIG. 6 is a front view; and,

[56] **References Cited**

FIG. 7 is a top and side perspective view of an alternate embodiment, it being understood that the opposite side is a mirror image of the side shown, the back and front are identical to the back and front shown respectively in FIGS. 5 and 6, and that the bottom except for the length and number of undulations on the sides thereof, is identical to the bottom shown in FIG. 4.

**U.S. PATENT DOCUMENTS**

D. 25,466	5/1896	Robinson	.....	D4/130
D. 29,883	12/1898	Fox	.....	D4/130
D. 153,413	4/1949	Baumgartner	.....	D4/130
D. 345,653	4/1994	Joyner et al.	.....	D4/138
D. 357,127	4/1995	Hoagland	.....	D4/138

The broken lines in the figures show the placement of bristles, and form no part of the design as claimed.

*Primary Examiner—*Alan P. Douglas  
*Assistant Examiner—*Lavone D. Tabor

**1 Claim, 2 Drawing Sheets**

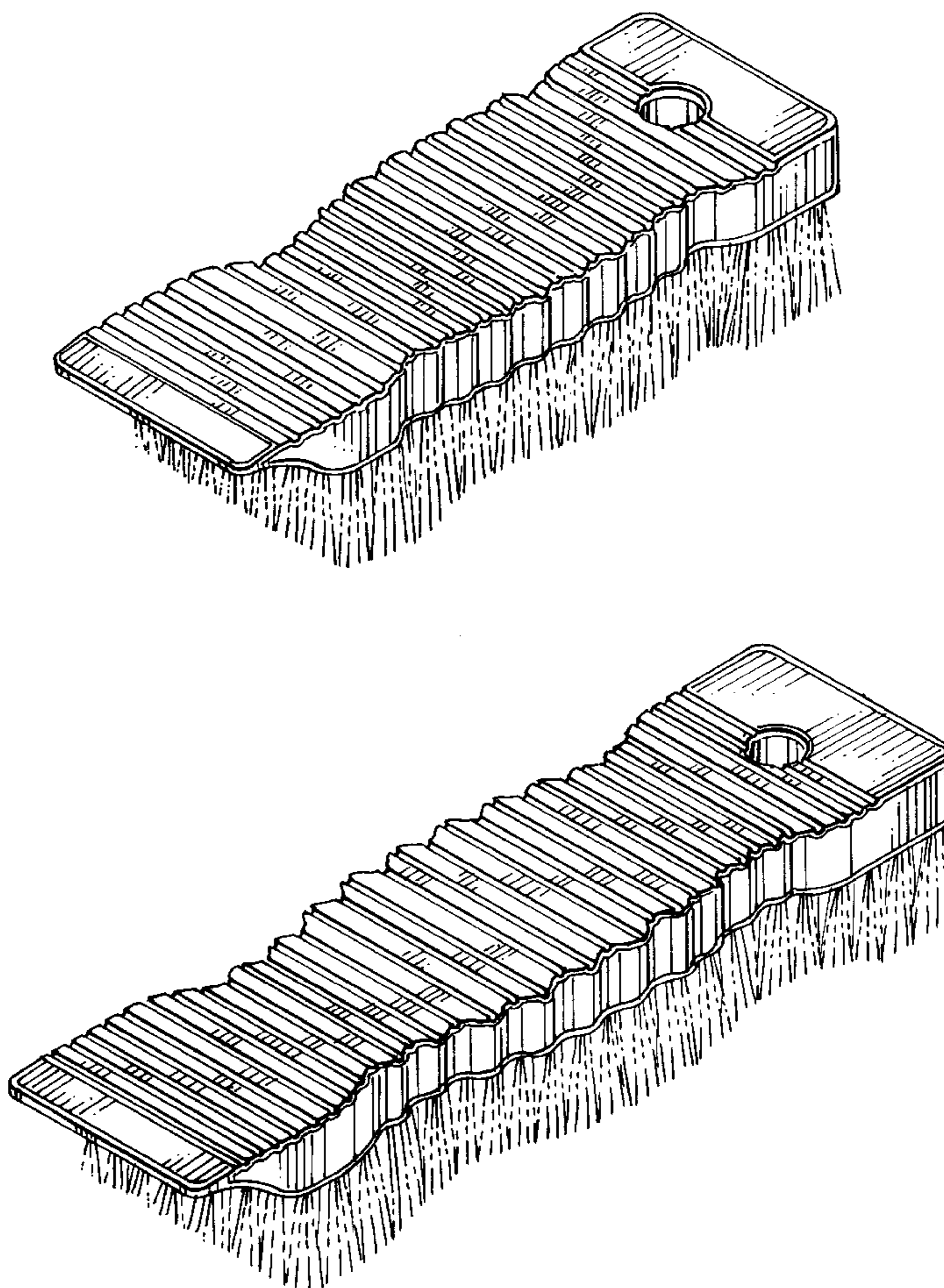


FIG. 1

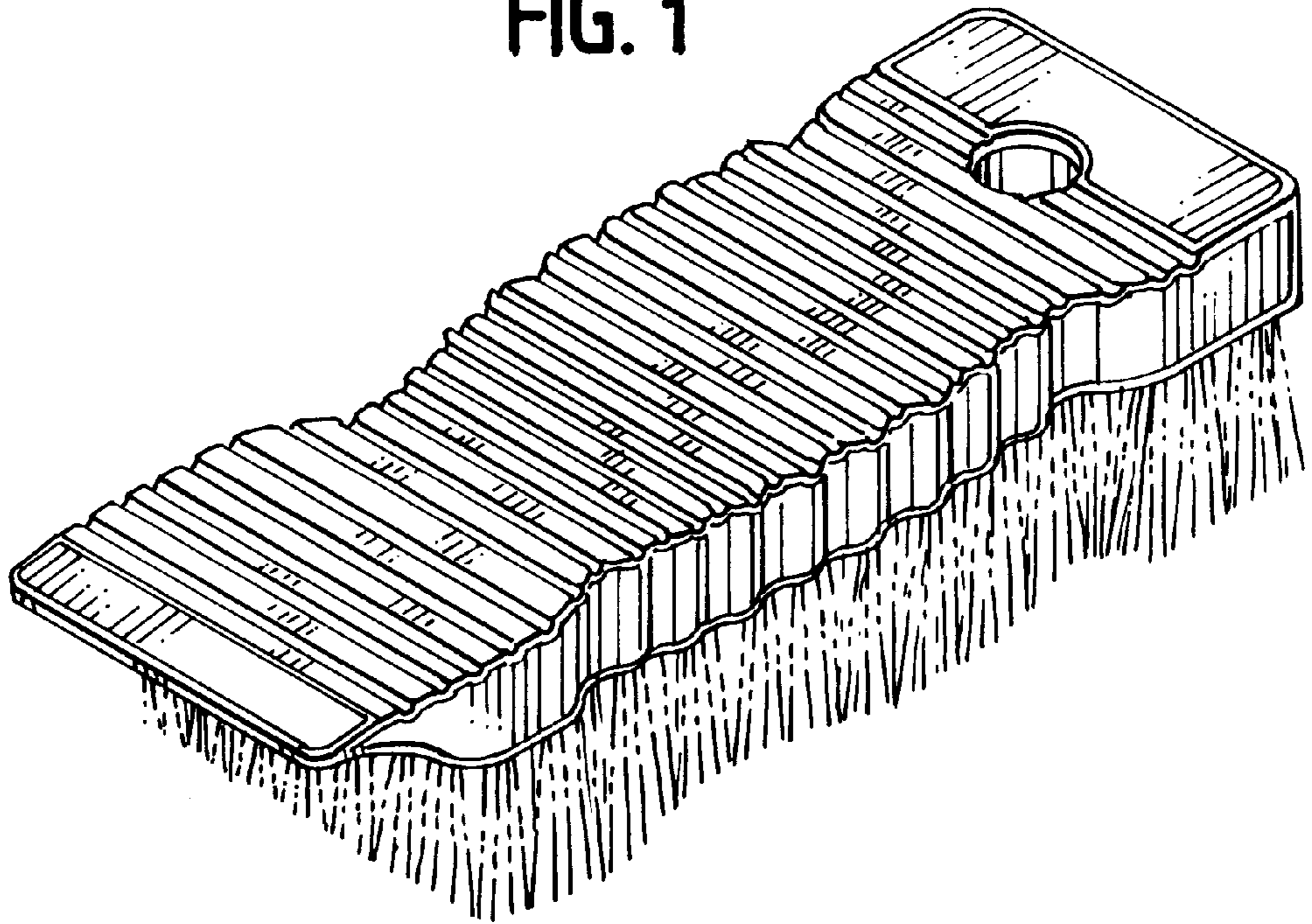


FIG. 2

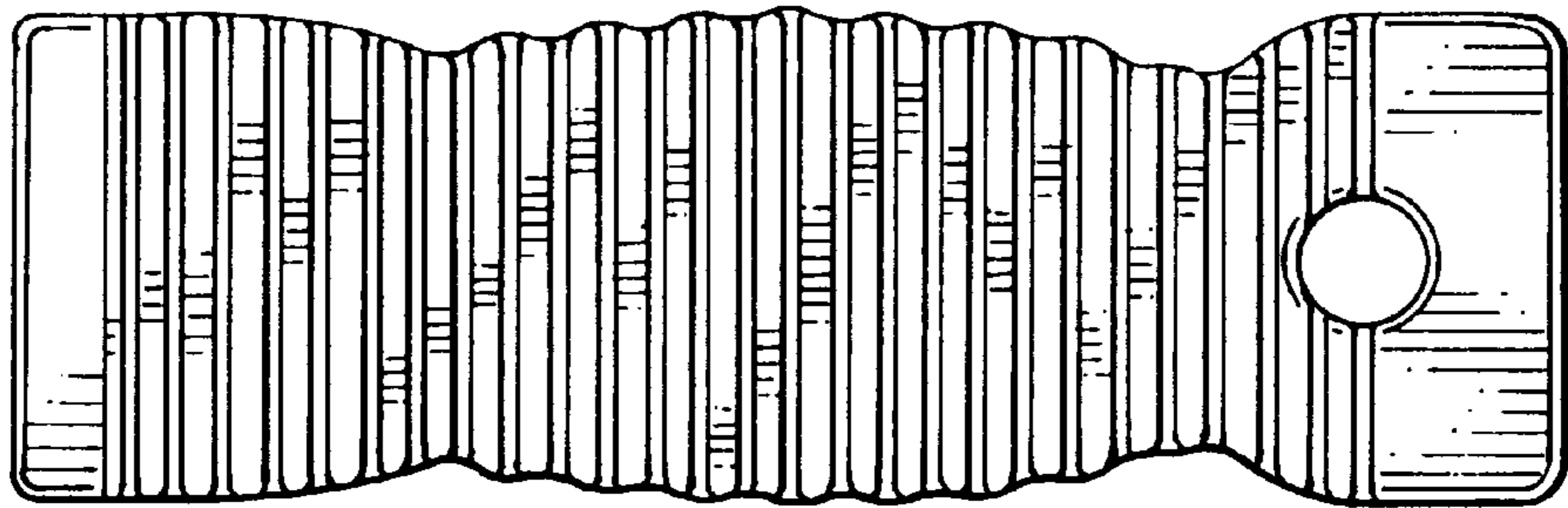


FIG. 3





FIG. 4

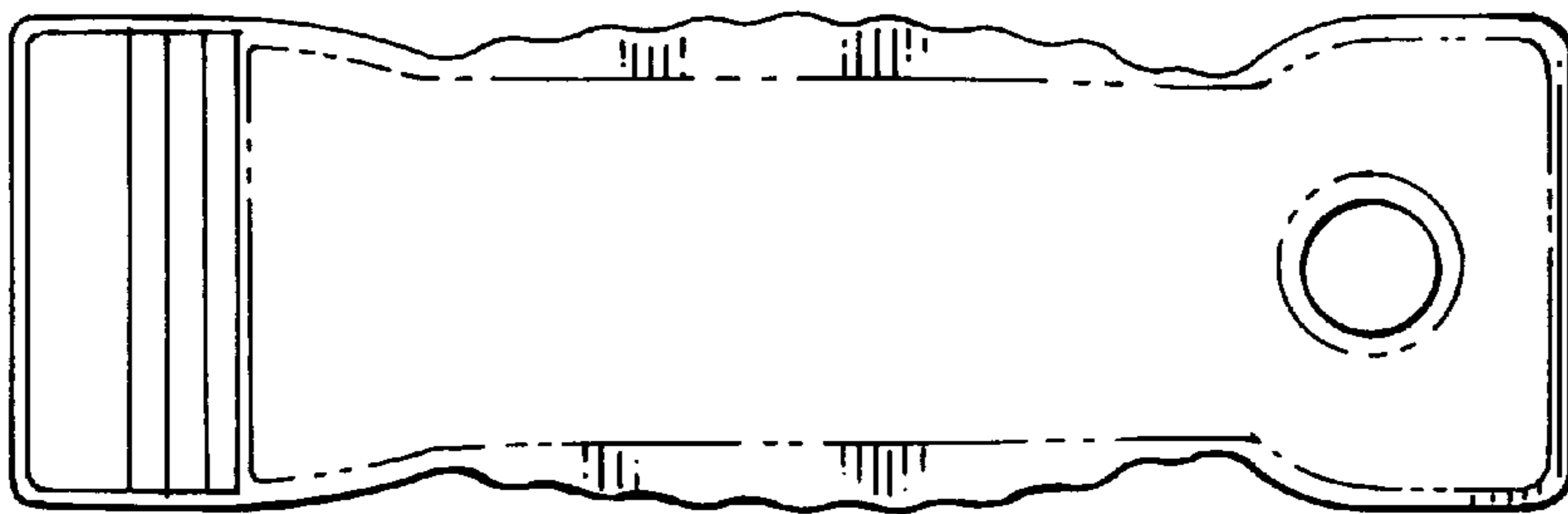


FIG. 5



FIG. 6

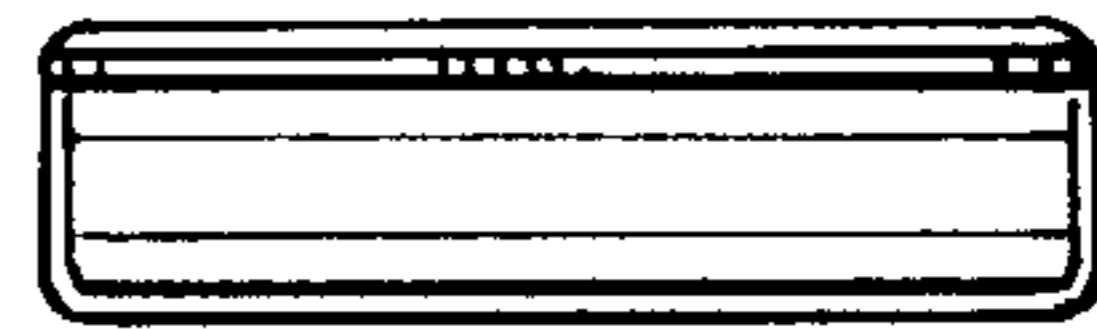


FIG. 7

