



US00D412062S

# United States Patent [19]

Potter et al.

[11] Patent Number: Des. 412,062

[45] Date of Patent: \*\* Jul. 20, 1999

[54] STORAGE CONTAINER

[75] Inventors: Don W. Potter; Stephen C. Smith, both of Virginia Beach, Va.

[73] Assignee: IDT International Inc., Las Vegas, Nev.

[\*\*] Term: 14 Years

[21] Appl. No.: 29/093,228

[22] Filed: Sep. 4, 1998

[51] LOC (6) Cl. .... 03-01

[52] U.S. Cl. .... D3/294; D9/420

[58] Field of Search ..... D3/273, 294, 295; D9/420, 423, 424, 428, 425; 220/324; 206/811, 822, 259, 570

### [56] References Cited

#### U.S. PATENT DOCUMENTS

D. 322,031	12/1991	Fleming	.....	D9/424
D. 344,456	2/1994	Argondizza	.....	D9/420
D. 347,732	6/1994	Wentz	.....	D3/294
D. 352,525	11/1994	Coe	.....	D9/420

Primary Examiner—Philip S. Hyder  
Attorney, Agent, or Firm—Gary M. Nath; Nath & Associates

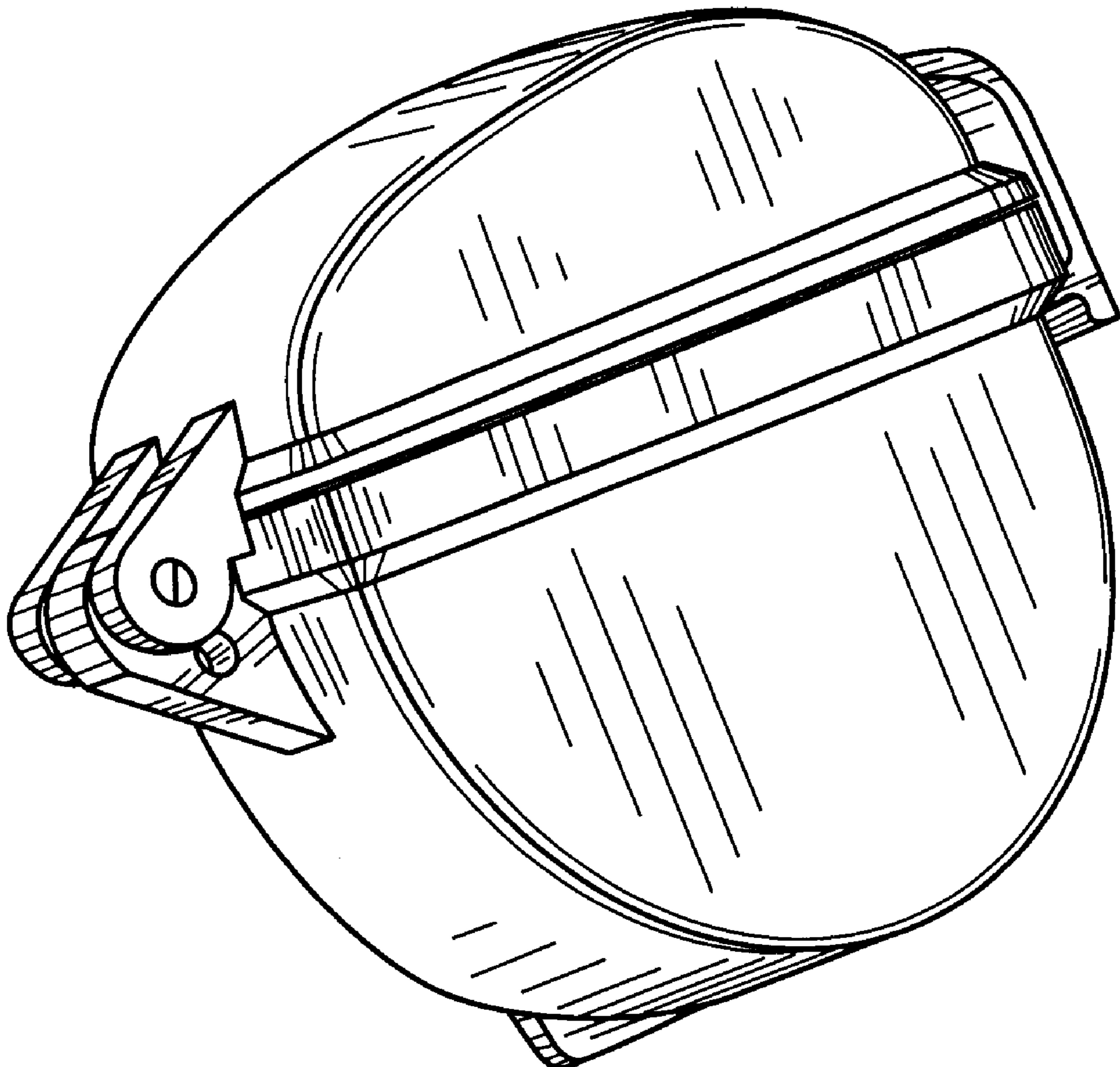
### [57] CLAIM

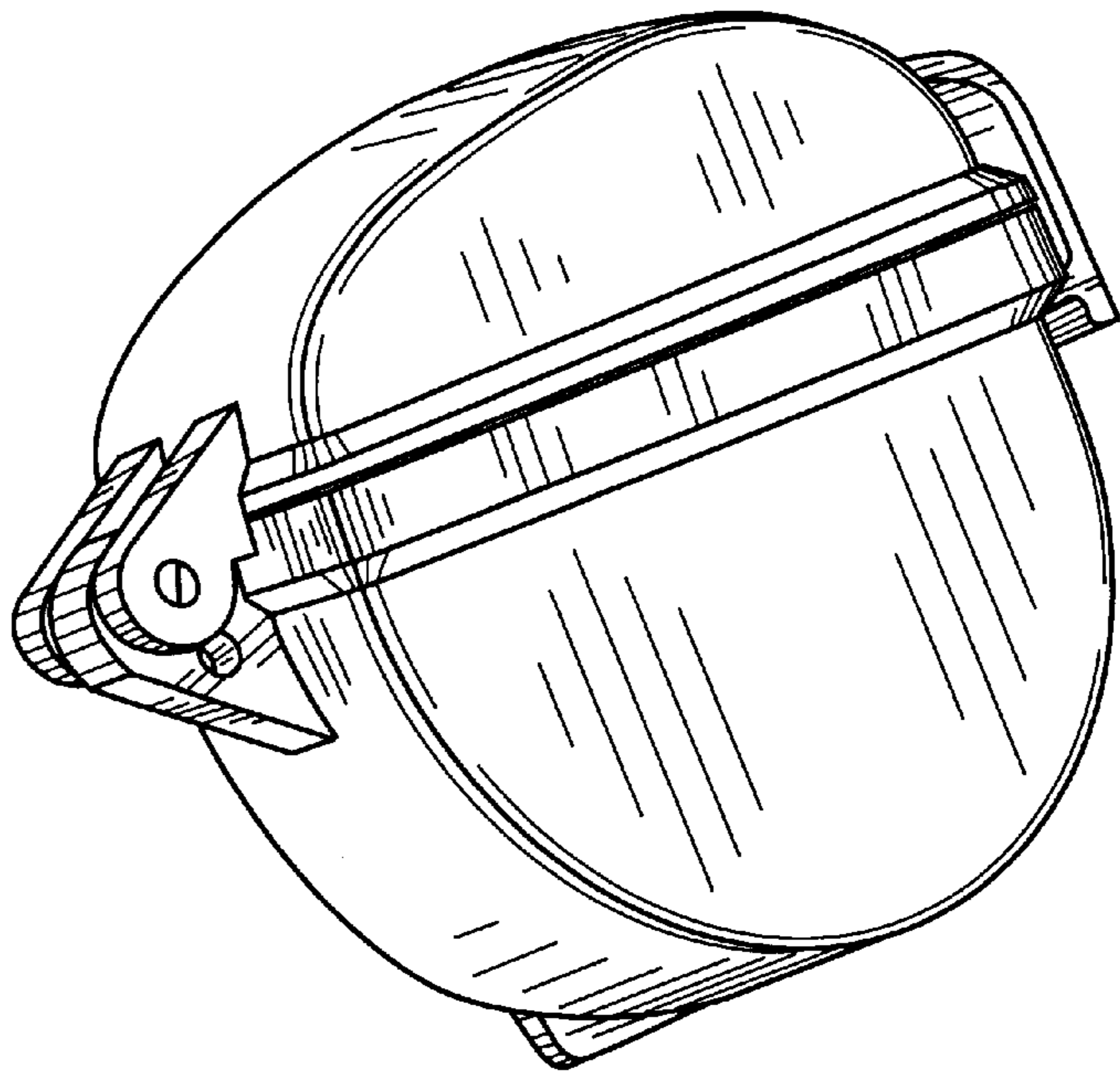
The ornamental design for a storage container, as shown.

### DESCRIPTION

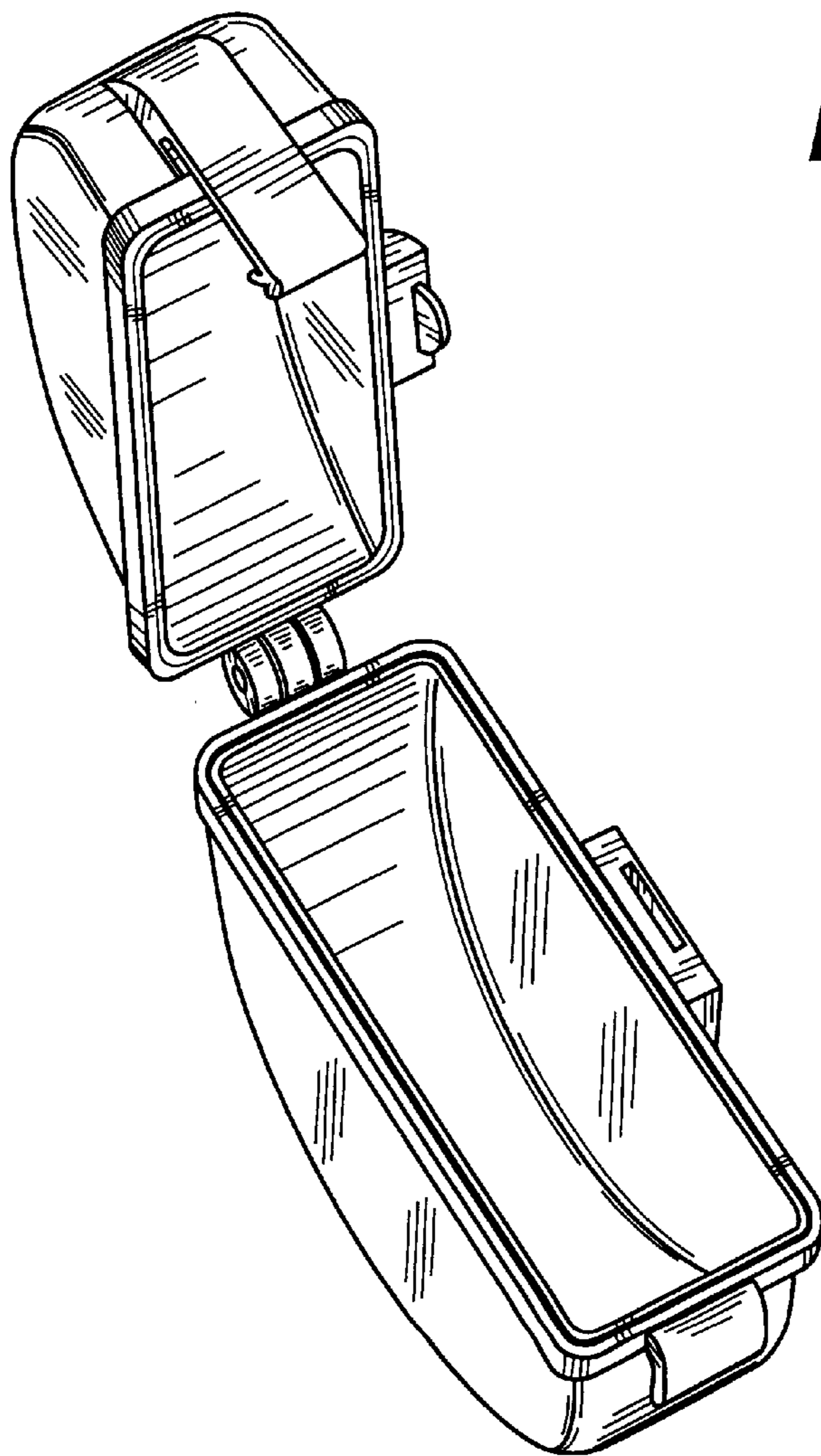
FIG. 1 is a front and left perspective view of a closed storage container showing my new design;  
 FIG. 2 is a front and right perspective view of an opened storage container;  
 FIG. 3 is a front elevation view of a closed storage container;  
 FIG. 4 is a rear elevation view of the closed storage container;  
 FIG. 5 is a left-side elevation view of the closed storage container;  
 FIG. 6 is a right-side elevation view of the closed storage container;  
 FIG. 7 is a top plan view of the closed storage container;  
 FIG. 8 is a bottom plan view of the closed storage container;  
 and,  
 FIG. 9 is a front elevation view of an opened storage container.

1 Claim, 5 Drawing Sheets

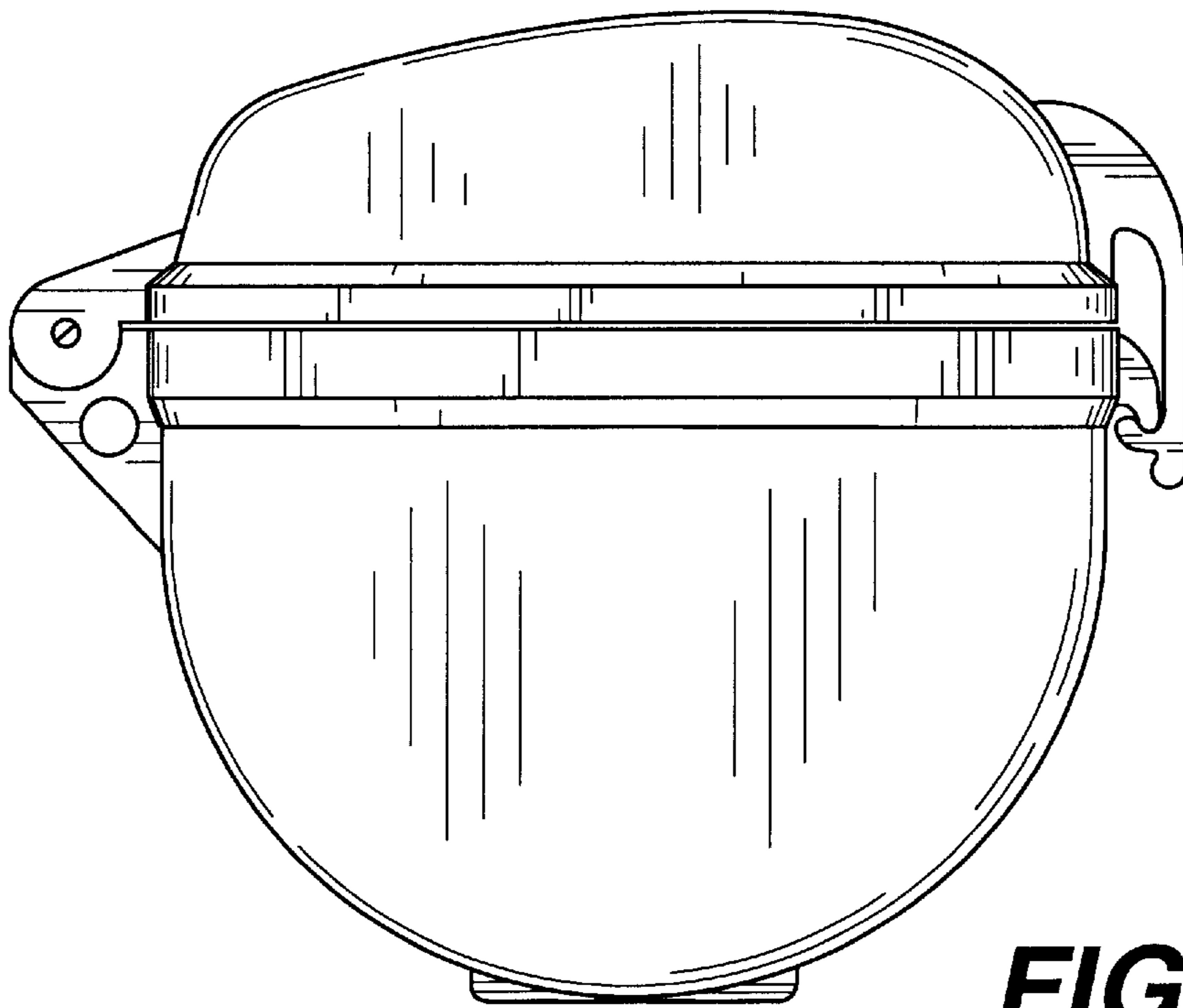




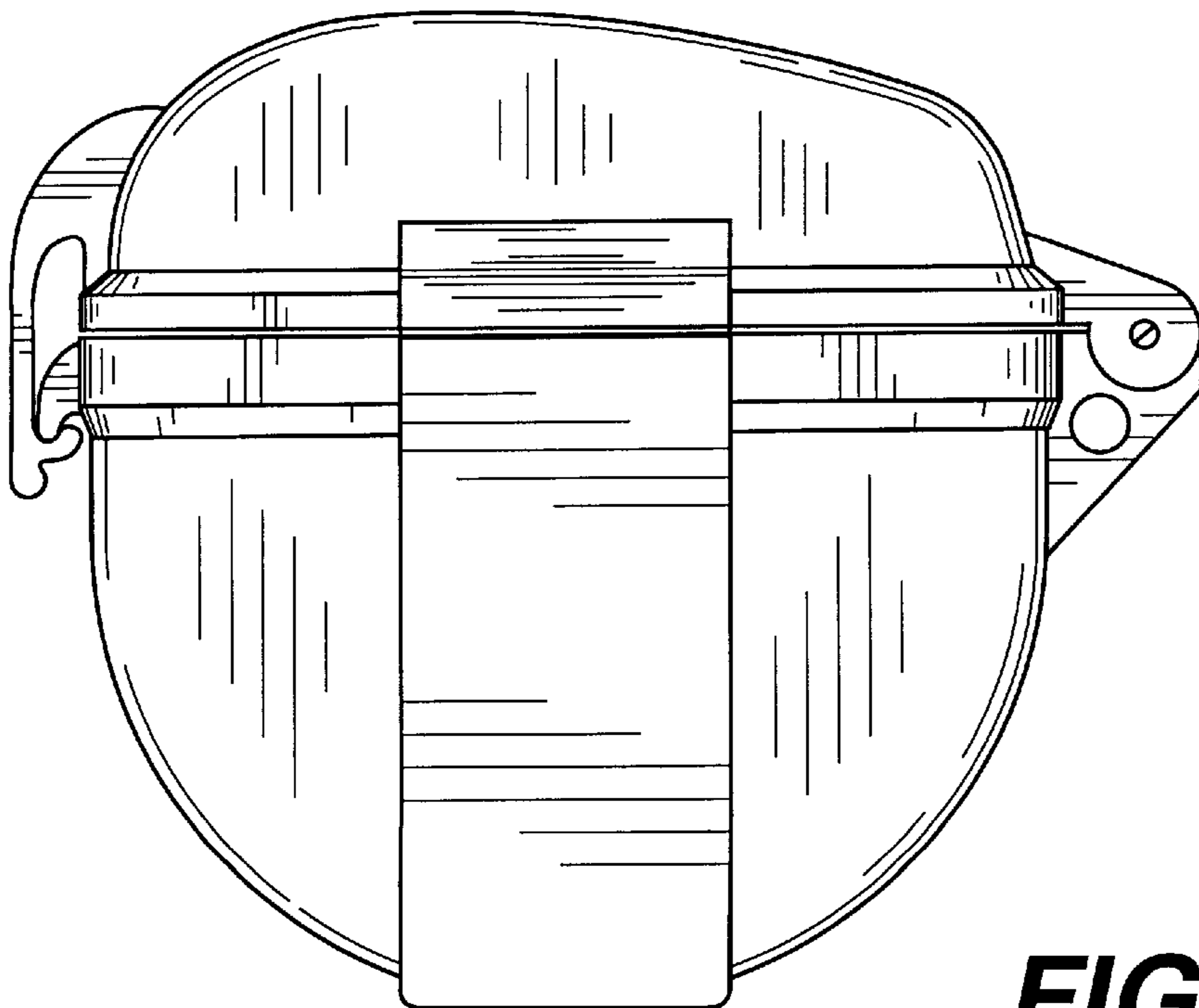
**FIG. 1**



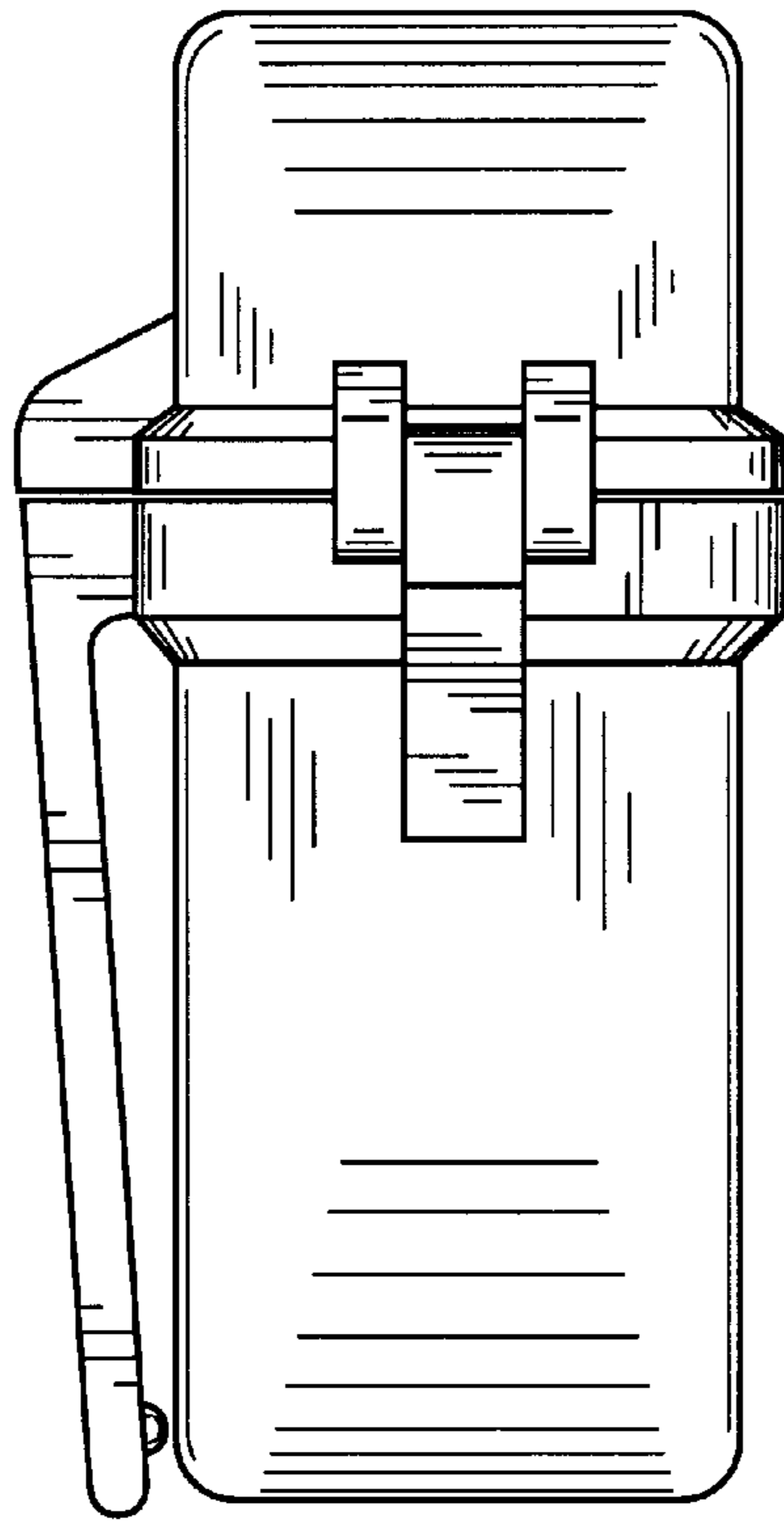
**FIG. 2**



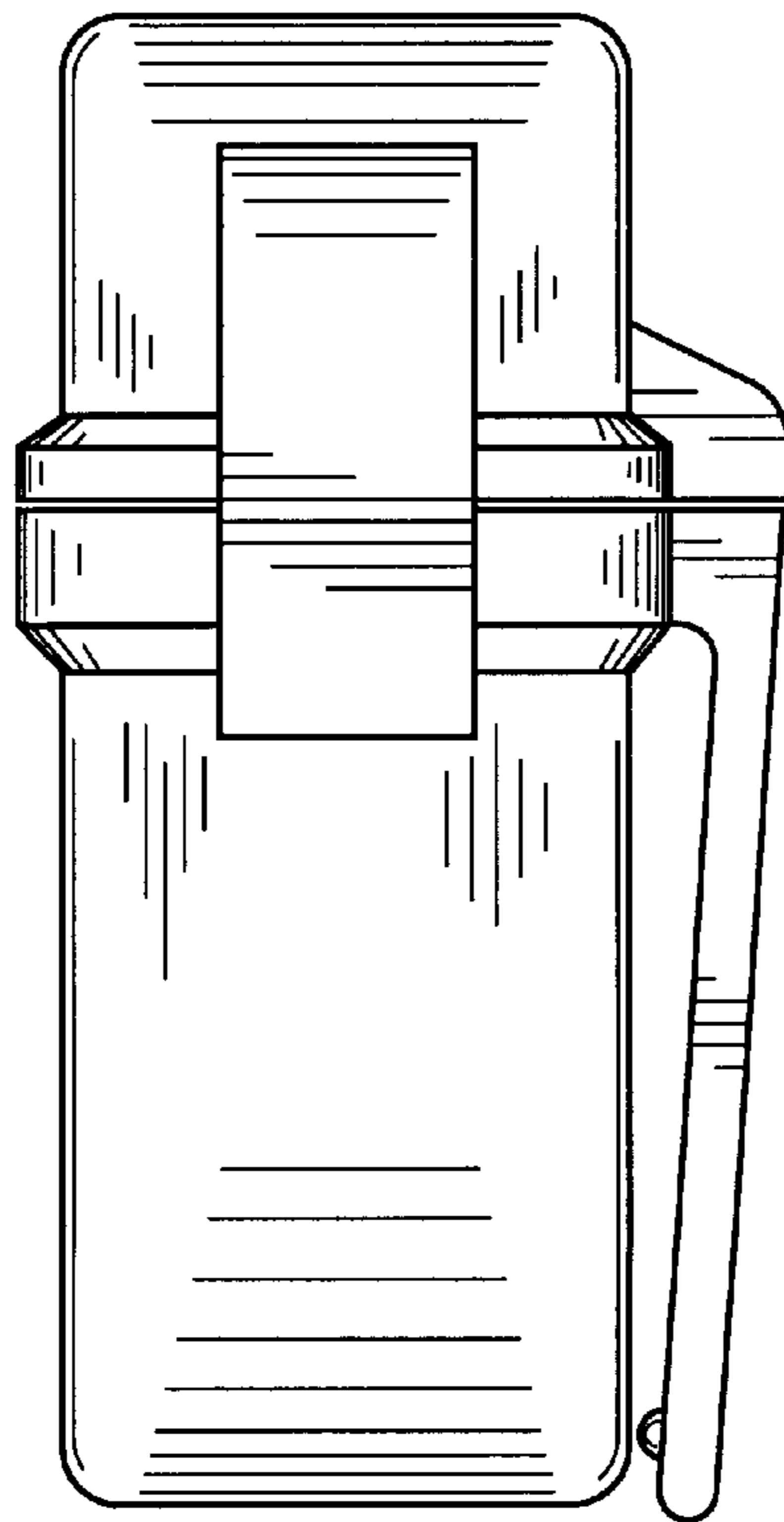
**FIG. 3**



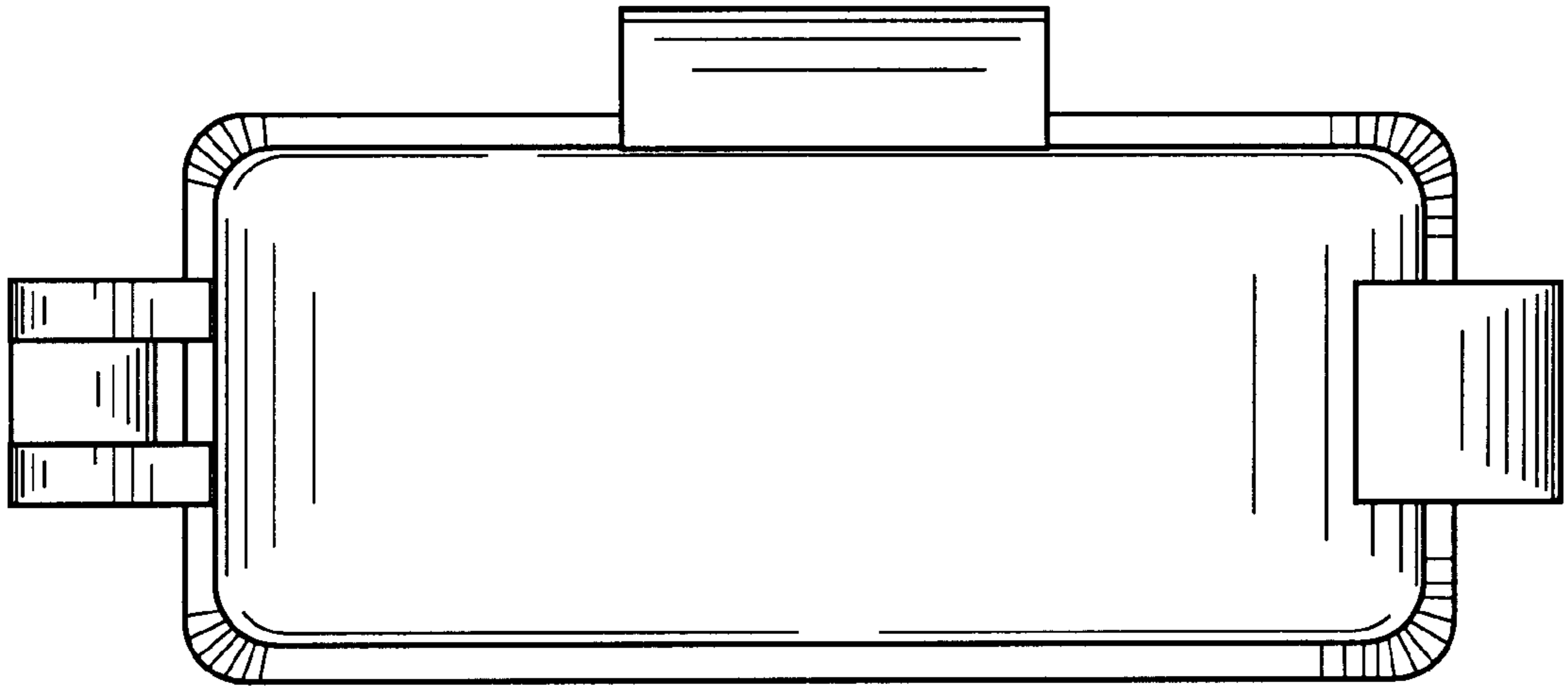
**FIG. 4**



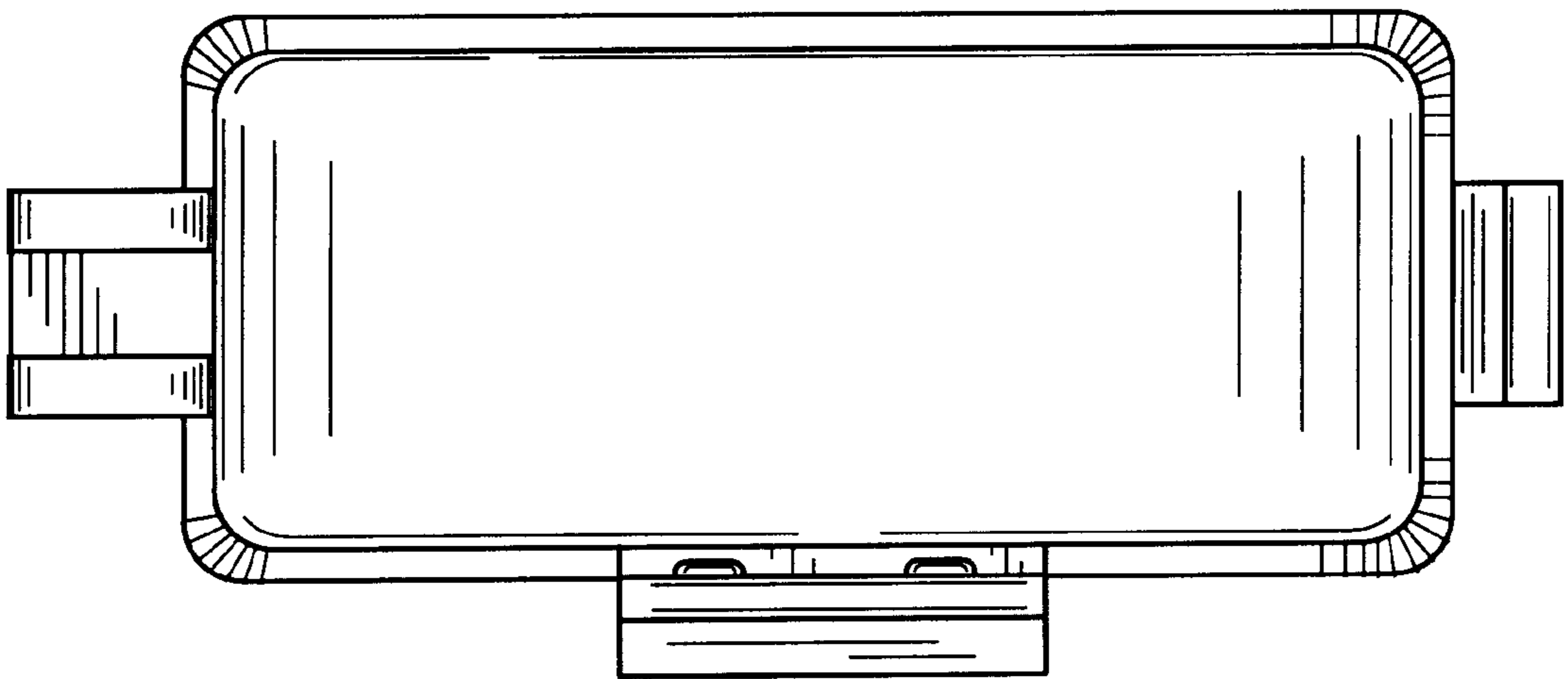
**FIG. 5**



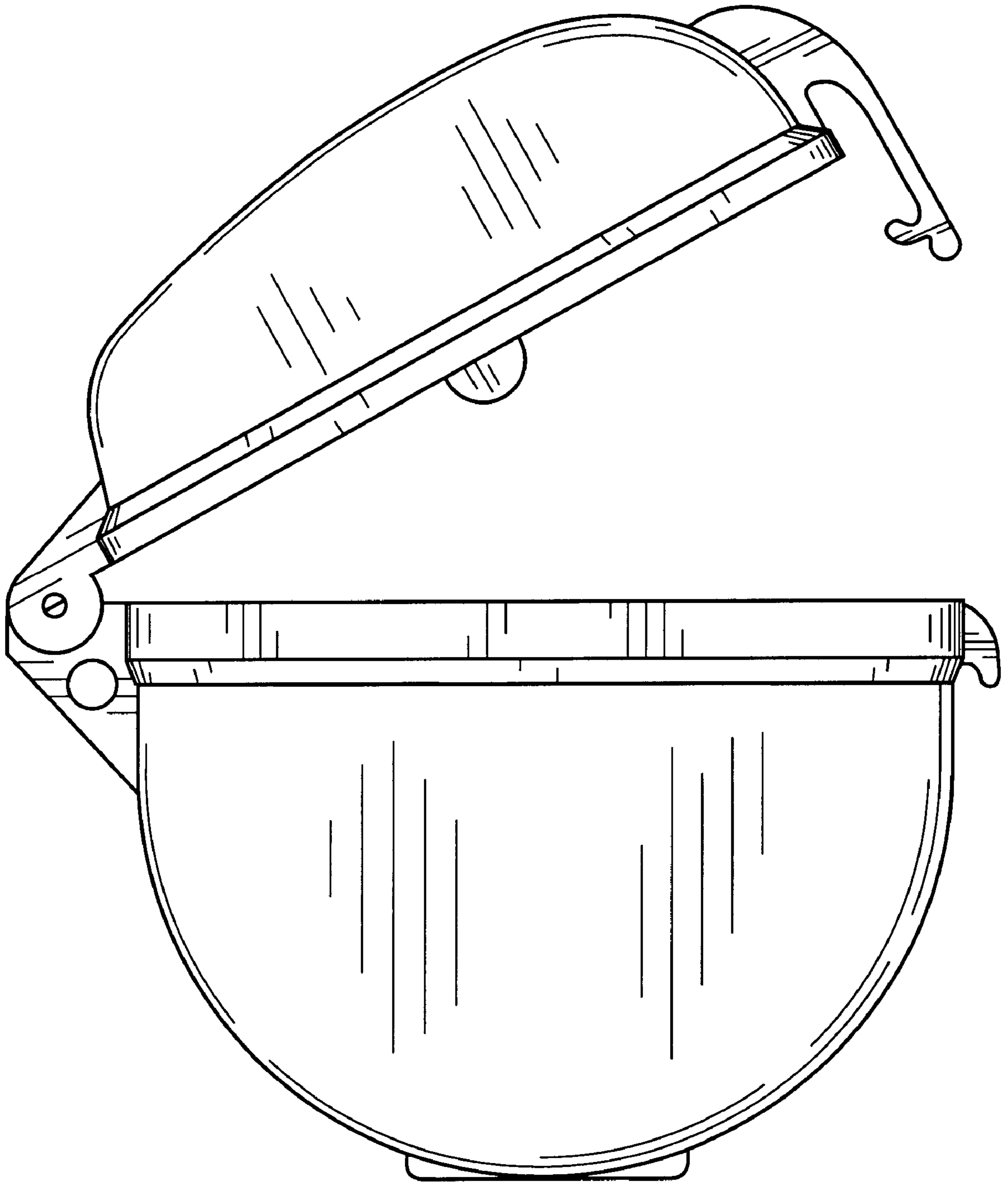
**FIG. 6**



**FIG. 7**



**FIG. 8**



**FIG. 9**