



US00D412049S

# United States Patent [19]

Shelton

[11] Patent Number: Des. 412,049

[45] Date of Patent: \*\* Jul. 20, 1999

[54] **COMBINED APRON AND DETACHABLE TOWEL**

[76] Inventor: **Gwen Shelton**, 669-62nd St., Oakland, Calif. 94609

[\*\*] Term: **14 Years**

[21] Appl. No.: **29/095,770**

[22] Filed: **Oct. 29, 1998**

[51] **LOC (6) Cl.** ..... **02-02**

[52] **U.S. Cl.** ..... **D2/864; D2/860; D2/861**

[58] **Field of Search** ..... D2/860, 861, 864, D2/742, 901, 983; D29/100; 36/2 R; 2/2 R, 2.5, 22, 23, 46, 48, 49.1, 49.2, 50, 911, 227, 914, 919, 102

[56] **References Cited**

**U.S. PATENT DOCUMENTS**

D. 307,070	4/1990	Wymer	.....	D2/864
1,354,289	9/1920	Feige	.....	2/227
1,403,287	1/1922	Brisbine	.....	2/48
1,879,341	9/1932	Lapham	.....	2/102
2,648,845	8/1953	Bermn	.....	2/48
2,766,454	10/1956	Rice	.....	2/48
2,835,895	5/1958	Wells	.....	2/49.1
3,428,962	2/1969	Slimovitz	.....	2/48

*Primary Examiner*—Celia Murphy

[57] **CLAIM**

The ornamental design for a combined apron and detachable towel, as shown and described.

**DESCRIPTION**

FIG. 1 is a front elevational view of the combined apron and detachable towel of the present invention;

FIG. 2 is a back elevational view of the combined apron and detachable towel of FIG. 1;

FIG. 3 is a left side elevational view of the combined apron and detachable towel of FIG. 1;

FIG. 4 is a right side elevational view of the combined apron and detachable towel of FIG. 1;

FIG. 5 is a top plan view of the combined apron and detachable towel of FIG. 1;

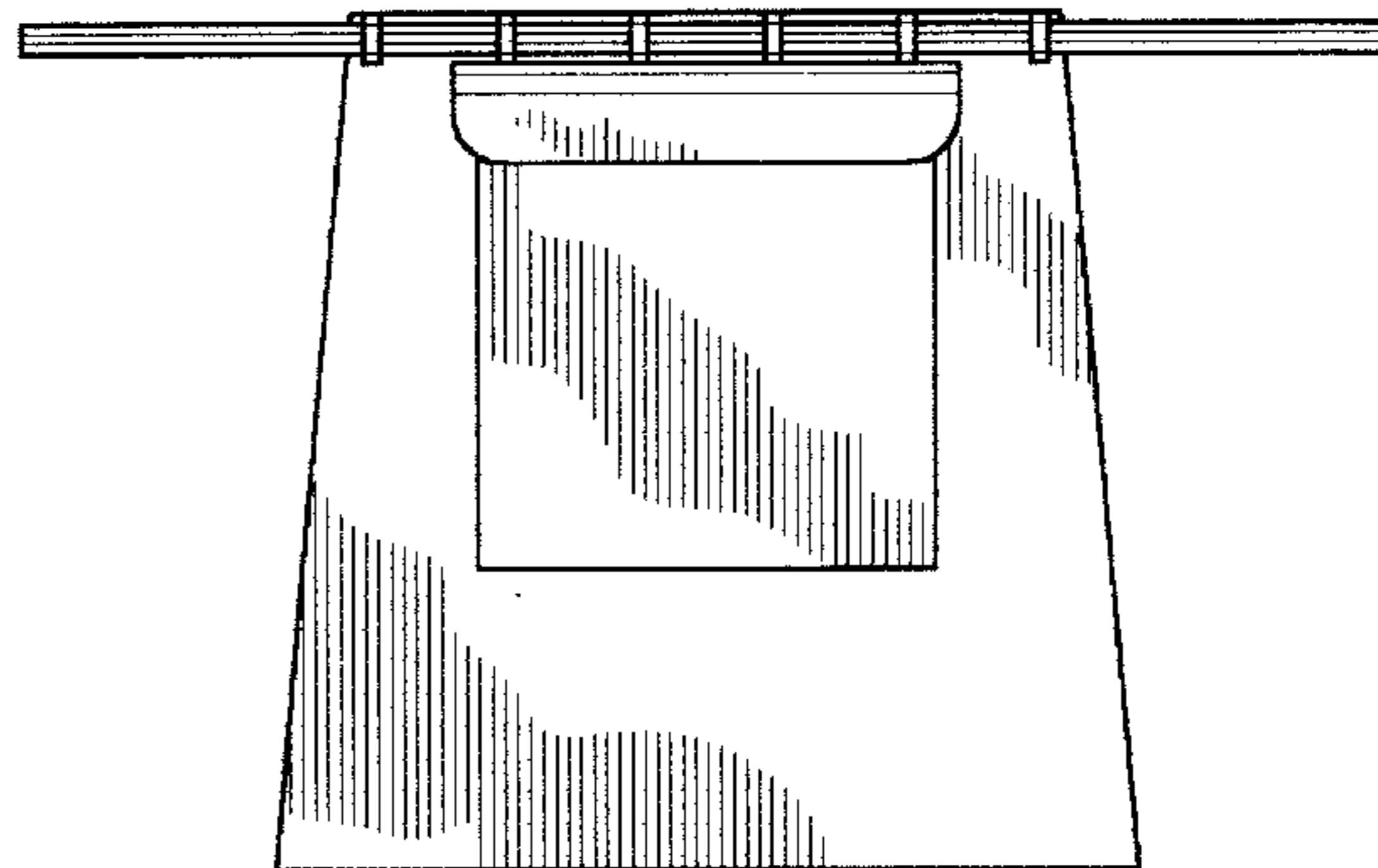
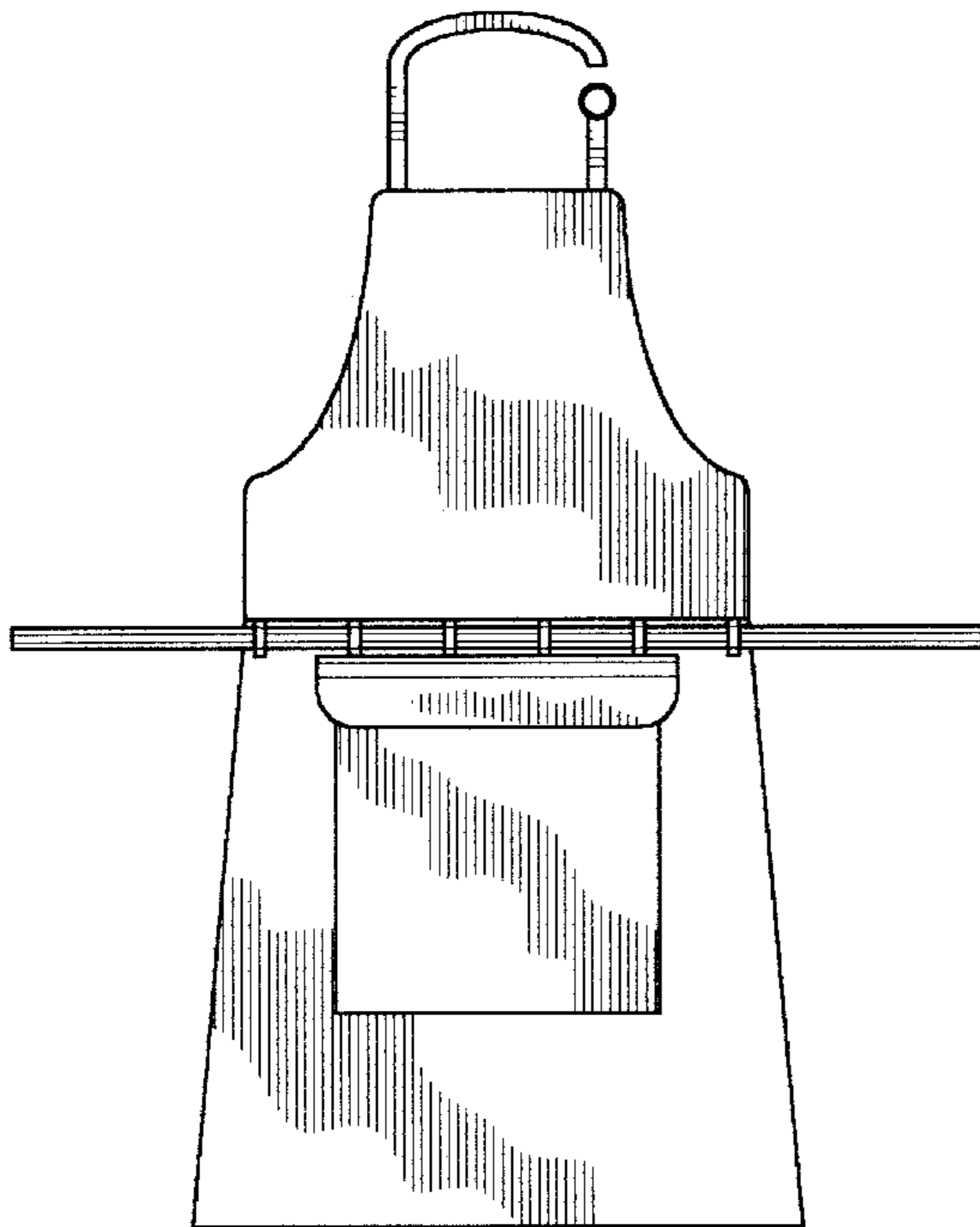
FIG. 6 is a bottom plan view of the combined apron and detachable towel of FIG. 1;

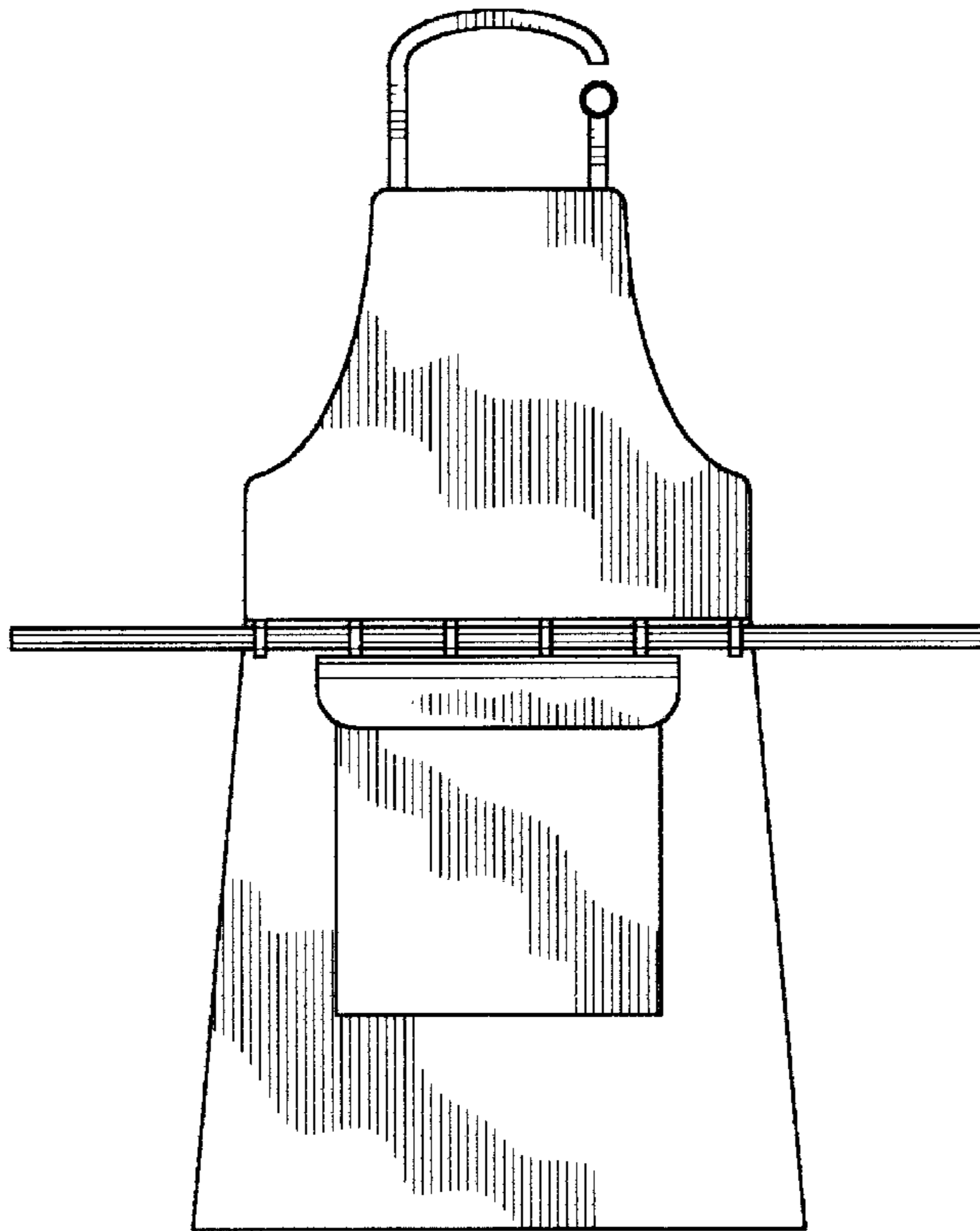
FIG. 7 is a top plan view of the detachable towel portion of the claimed design.

FIG. 8 is a elevational view of the combined apron and detachable towel of FIG. 7; and,

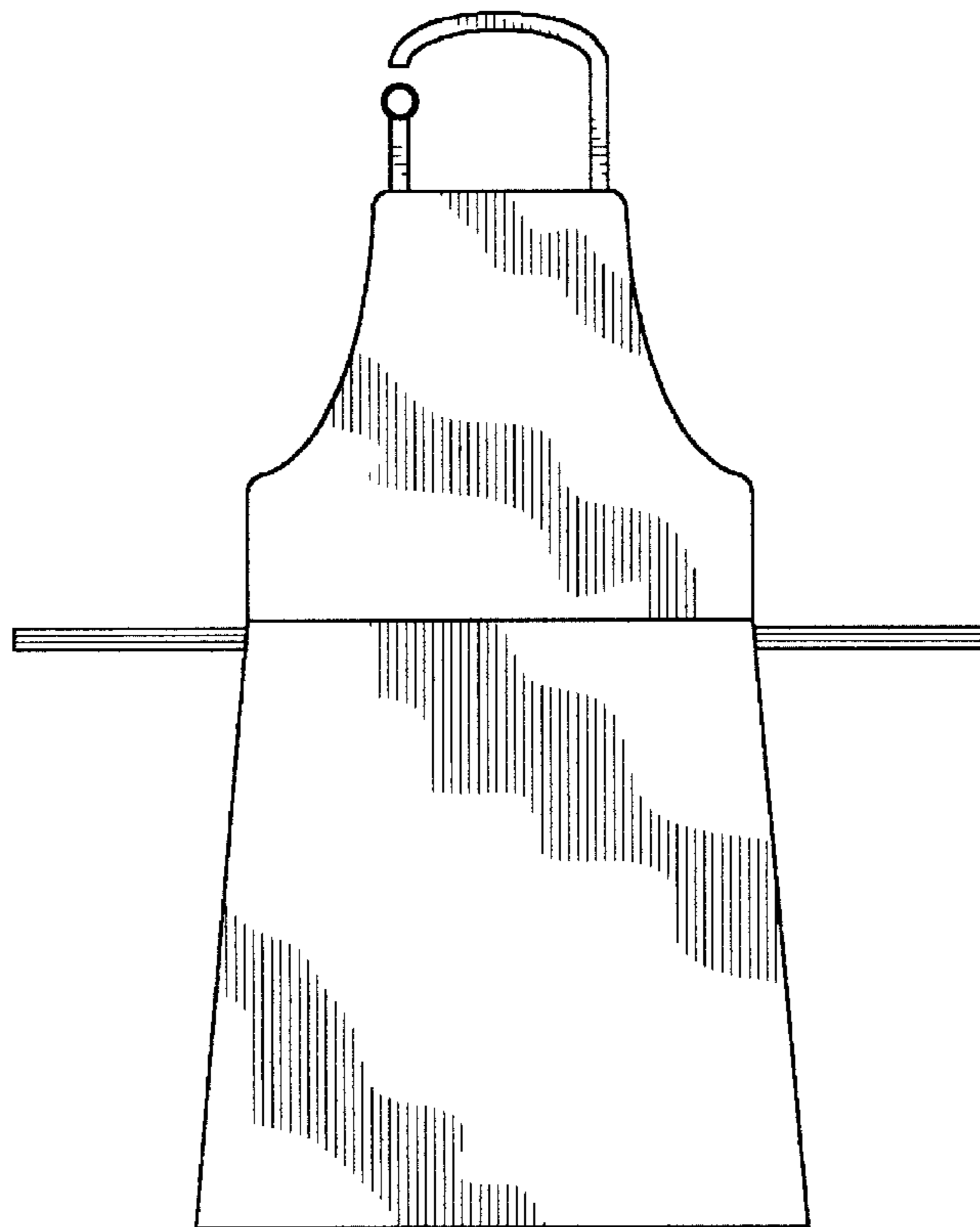
FIG. 9 is a right side elevational view of the combined apron and detachable towel of FIG. 7, the left side elevational view being a mirror image thereof.

**1 Claim, 3 Drawing Sheets**





*Fig. 1*



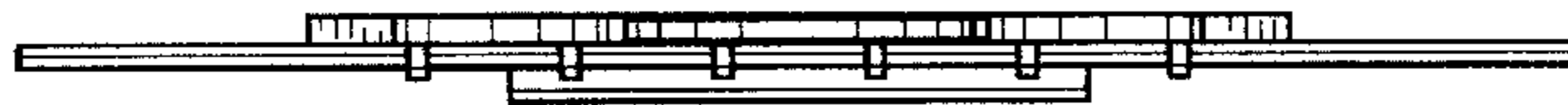
*Fig. 2*



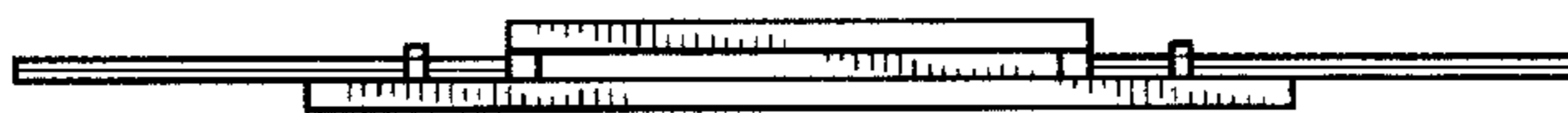
*Fig. 3*



*Fig. 4*



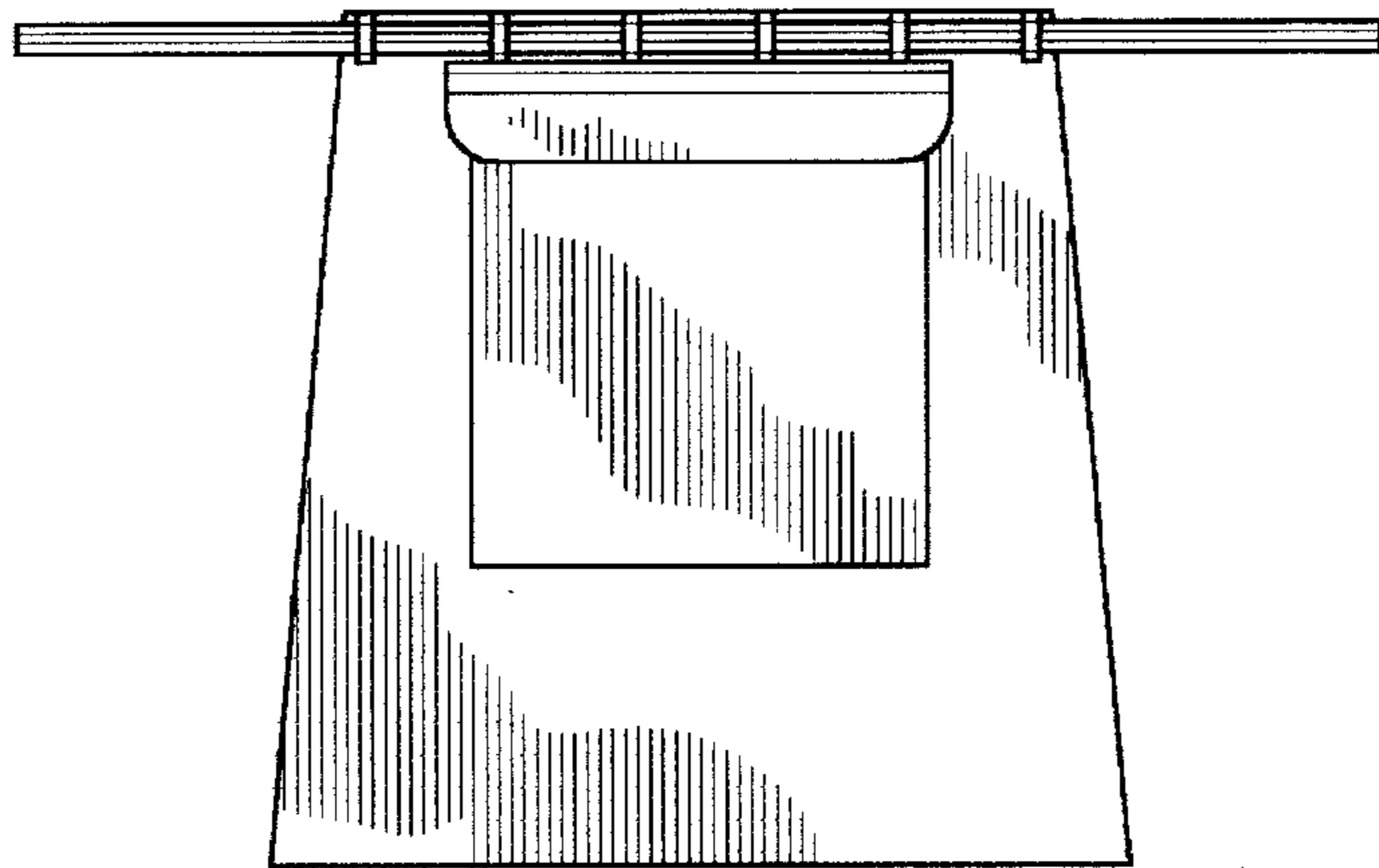
*Fig. 5*



*Fig. 6*



*Fig. 7*



*Fig. 8*



*Fig. 9*