



US00D412047S

# United States Patent [19]

[11] **Patent Number: Des. 412,047**

**Pigott et al.**

[45] **Date of Patent: \*\* Jul. 13, 1999**

[54] **CONNECTOR FOR A PALLET ASSEMBLY**

4,604,014	8/1986	Frano .....	108/56.3
4,843,976	7/1989	Pigott et al. ....	108/56.1
5,351,628	10/1994	Breezer et al. ....	108/51.1

[75] Inventors: **Brandon L. Pigott**, Wilmette; **Schuyler F. Pigott**, Arlington Heights; **Peter S. Pigott**, Wilmette; **Maurice J. Pigott**, Winnetka, all of Ill.

*Primary Examiner*—Doris Clark  
*Attorney, Agent, or Firm*—Wallenstein & Wagner, Ltd

[73] Assignee: **Nucon Corporation**, Deerfield, Ill.

[57] **CLAIM**

[\*\*] Term: **14 Years**

We claim the ornamental design for a connector for a pallet assembly, as shown and described.

[21] Appl. No.: **29/077,243**

**DESCRIPTION**

[22] Filed: **Sep. 30, 1997**

FIG. 1 is a perspective top view of a connector for a pallet assembly showing our new design; FIG. 2 is a top plan view of the connector for a pallet assembly; FIG. 3 is a front elevation view of the connector for a pallet assembly; FIG. 4 is a rear elevation view of the connector for a pallet assembly; FIG. 5 is a right side elevation view of the connector for a pallet assembly, with the left side elevation view being a mirror image thereof; and, FIG. 6 is a bottom plan view of the connector for a pallet assembly.

**Related U.S. Application Data**

[63] Continuation of application No. 29/068,915, Apr. 7, 1997, abandoned.

[51] **LOC (6) Cl.** ..... **09-08**

[52] **U.S. Cl.** ..... **D34/38**

[58] **Field of Search** ..... D34/38; 108/56.3, 108/53.5, 56.1, 53.3, 53.1, 51.1, 901

The broken lines disclosing an attachment is for illustrative purposes only and forms no part of the claimed design.

[56] **References Cited**

**U.S. PATENT DOCUMENTS**

D. 354,606	1/1995	Pigott et al. ....	D34/38
D. 378,458	3/1997	Pigott et al. ....	108/56.1

**1 Claim, 3 Drawing Sheets**

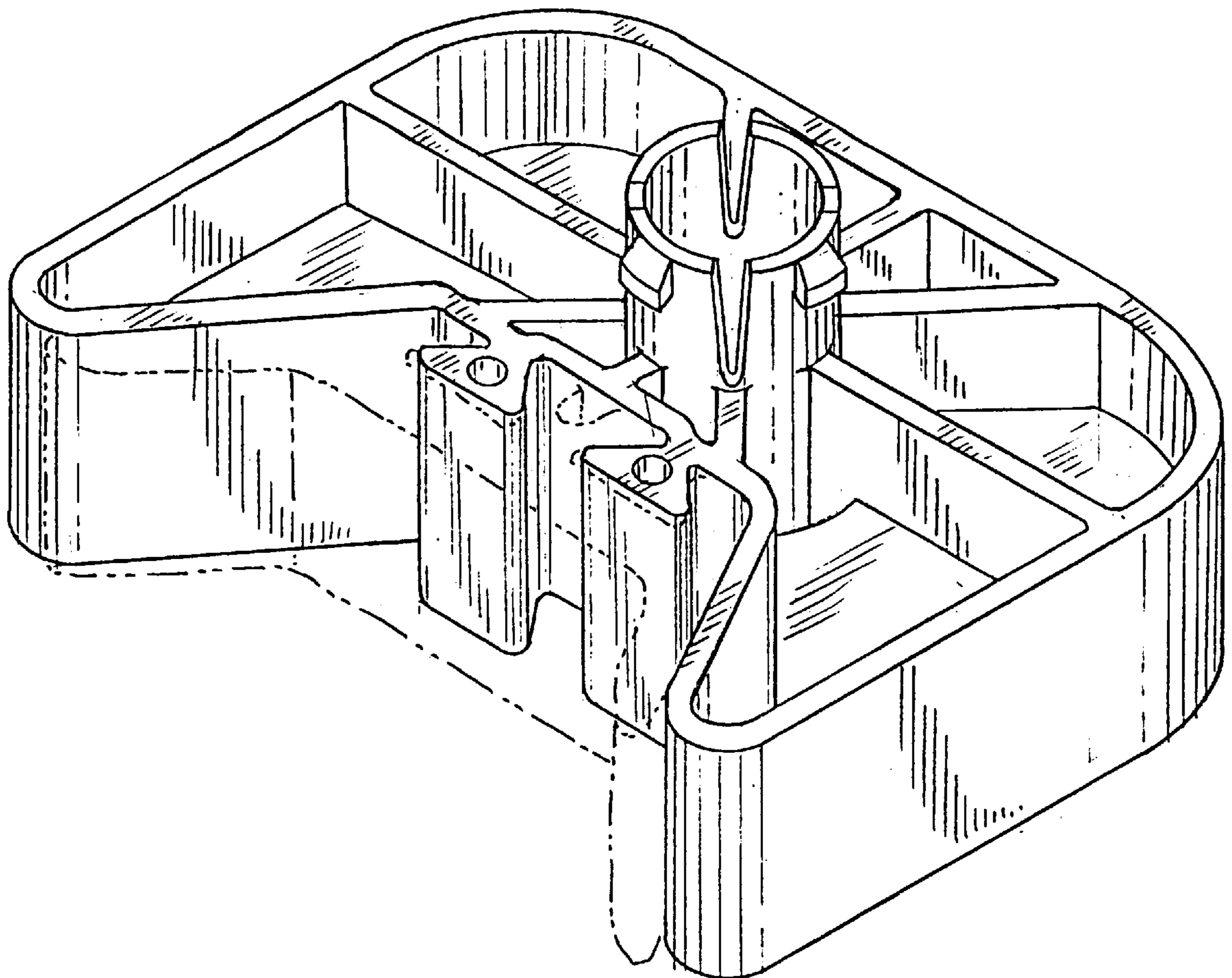


FIG. 1

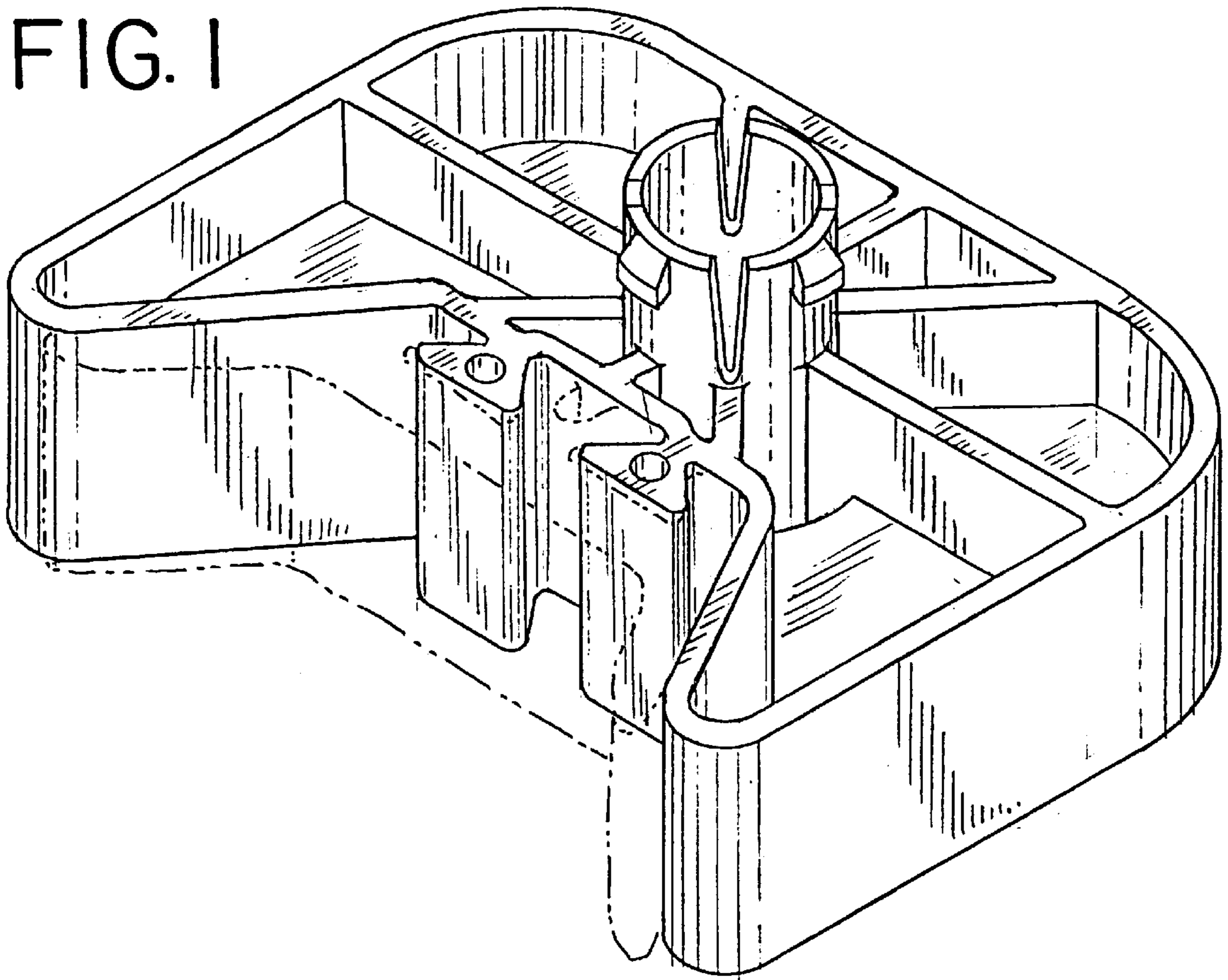


FIG. 2

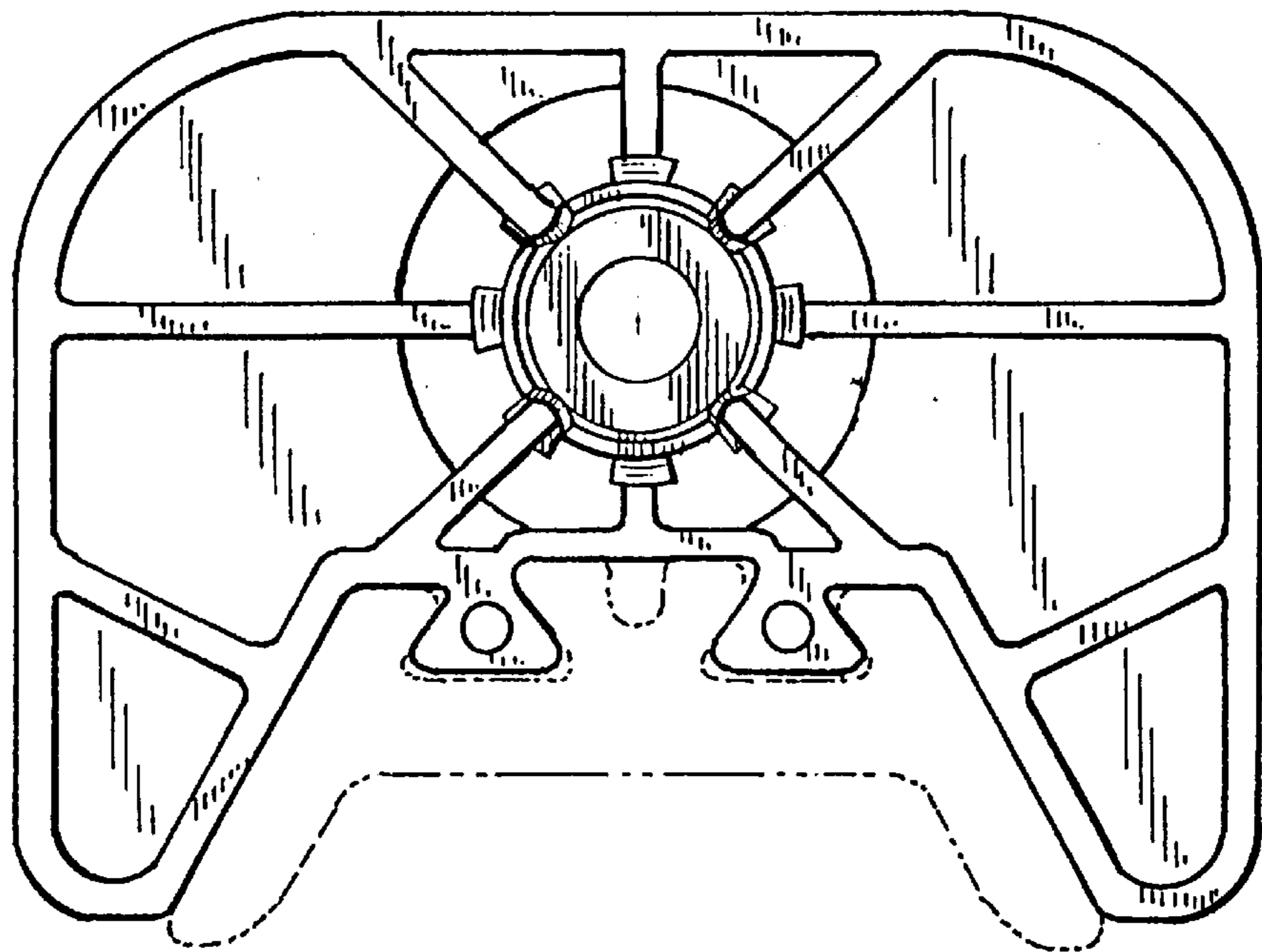


FIG. 3

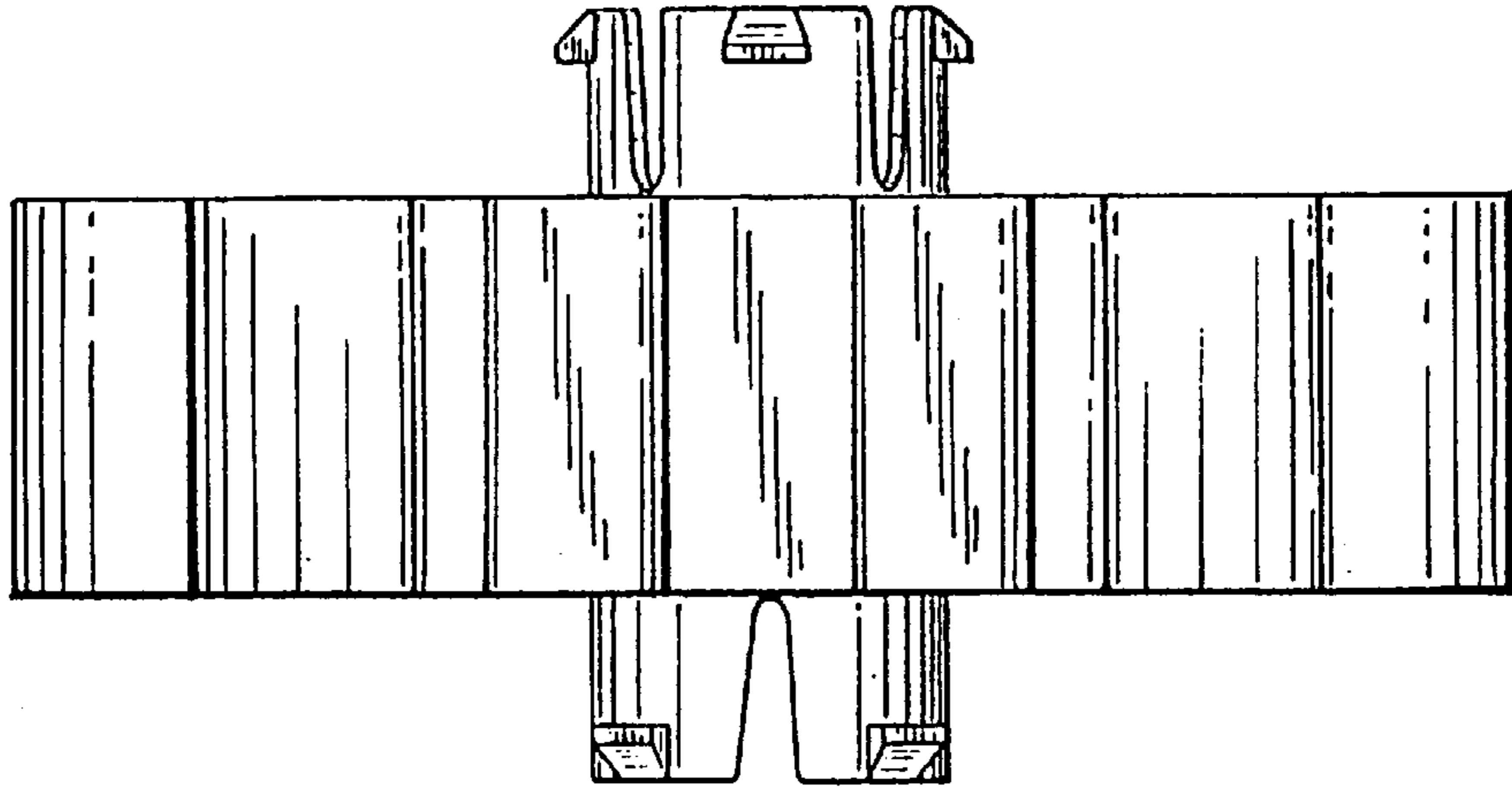


FIG. 4

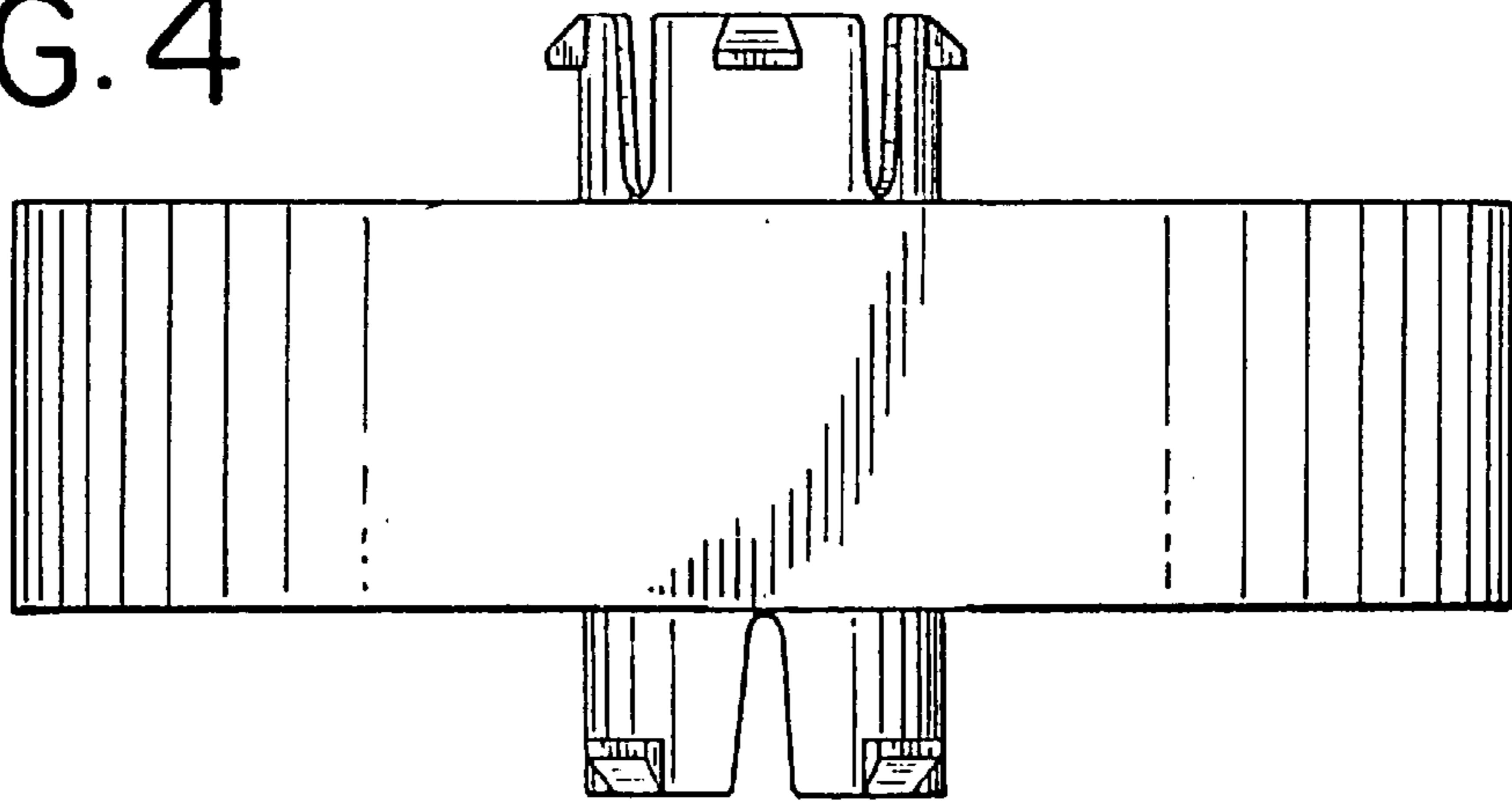


FIG. 5

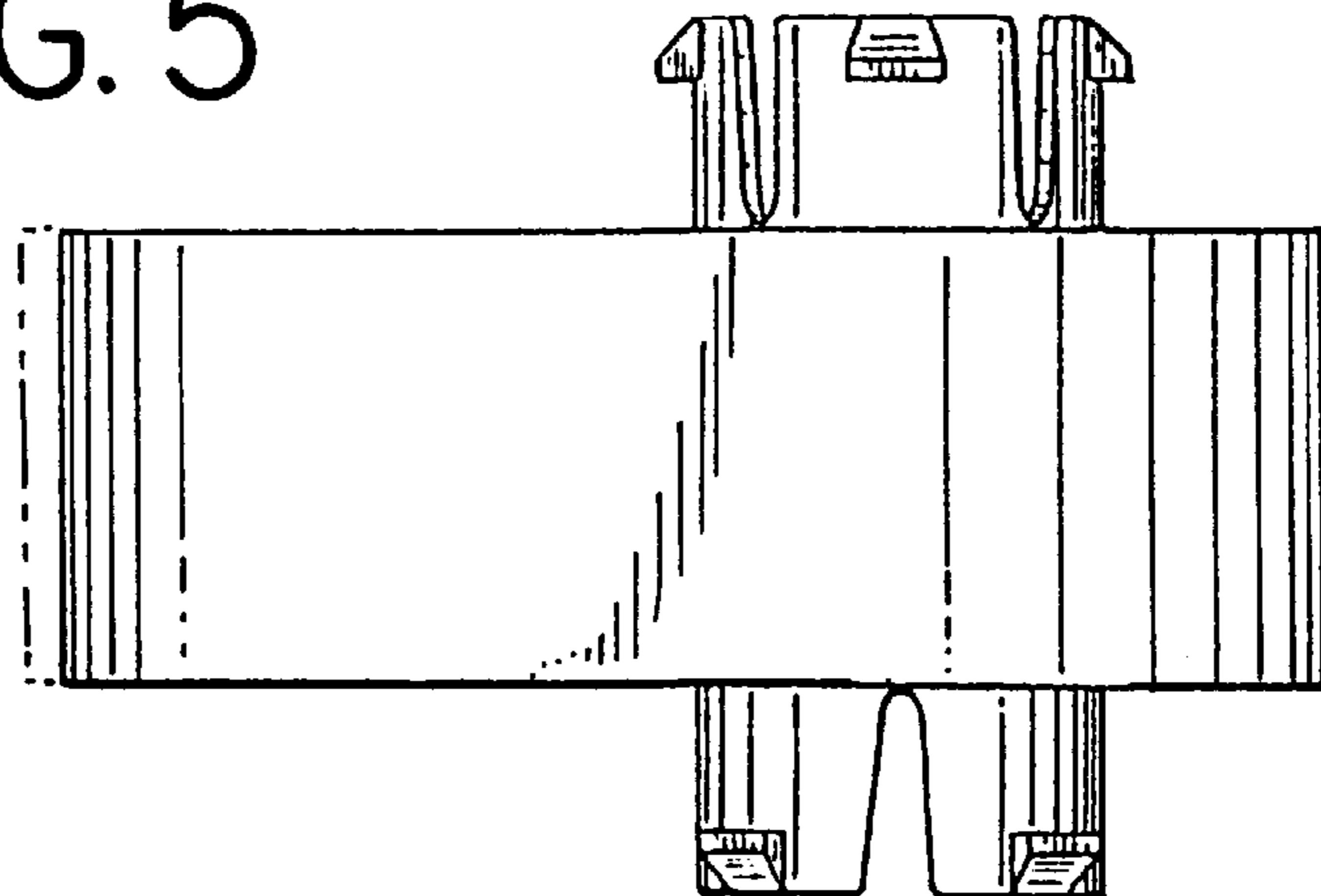


FIG. 6

