



US00D412044S

United States Patent [19] Deal

[11] **Patent Number: Des. 412,044**

[45] **Date of Patent: ** Jul. 13, 1999**

[54] SELF SUPPORTING HANDTRUCK

[75] Inventor: **Douglas O. Deal**, Roxboro, N.C.

[73] Assignee: **Deal Associates, Inc.**, Roxboro, N.C.

[**] Term: **14 Years**

[21] Appl. No.: **29/090,173**

[22] Filed: **Jul. 1, 1998**

[51] **LOC (6) Cl.** **12-02**

[52] **U.S. Cl.** **D34/12; D34/24**

[58] **Field of Search** D34/12-27; 280/47.2,
280/47.24, 47.27, 47.37, 5.32; 180/65.1,
19.1, 11

[56] **References Cited**

U.S. PATENT DOCUMENTS

3,205,963	9/1965	Tinker	180/19
3,527,314	9/1970	Mistarz	180/19
3,873,118	3/1975	Takagi	280/47.2
4,639,004	1/1987	Maeda et al.	280/5.32
4,762,193	8/1988	Levine	180/65.1
5,445,399	8/1995	Salvucci, Sr.	280/47.27
5,577,568	11/1996	Scott	180/19.1

OTHER PUBLICATIONS

P. 92, 96, 97 of catalogue "Global Industrial Equipment" depicting advertisements re: handtrucks.

Primary Examiner—Kay H. Chin
Attorney, Agent, or Firm—Olive & Olive, P.A.

[57] **CLAIM**

The ornamental design for a self supporting handtruck, as shown and described.

DESCRIPTION

FIG. 1 is a side elevation view of the self supporting handtruck showing my new design in operating orientation with a load thereupon illustrated in dashed lines and forming no part of the invention;

FIG. 2 is a front elevation view of the self supporting handtruck showing my new design in vertical orientation;

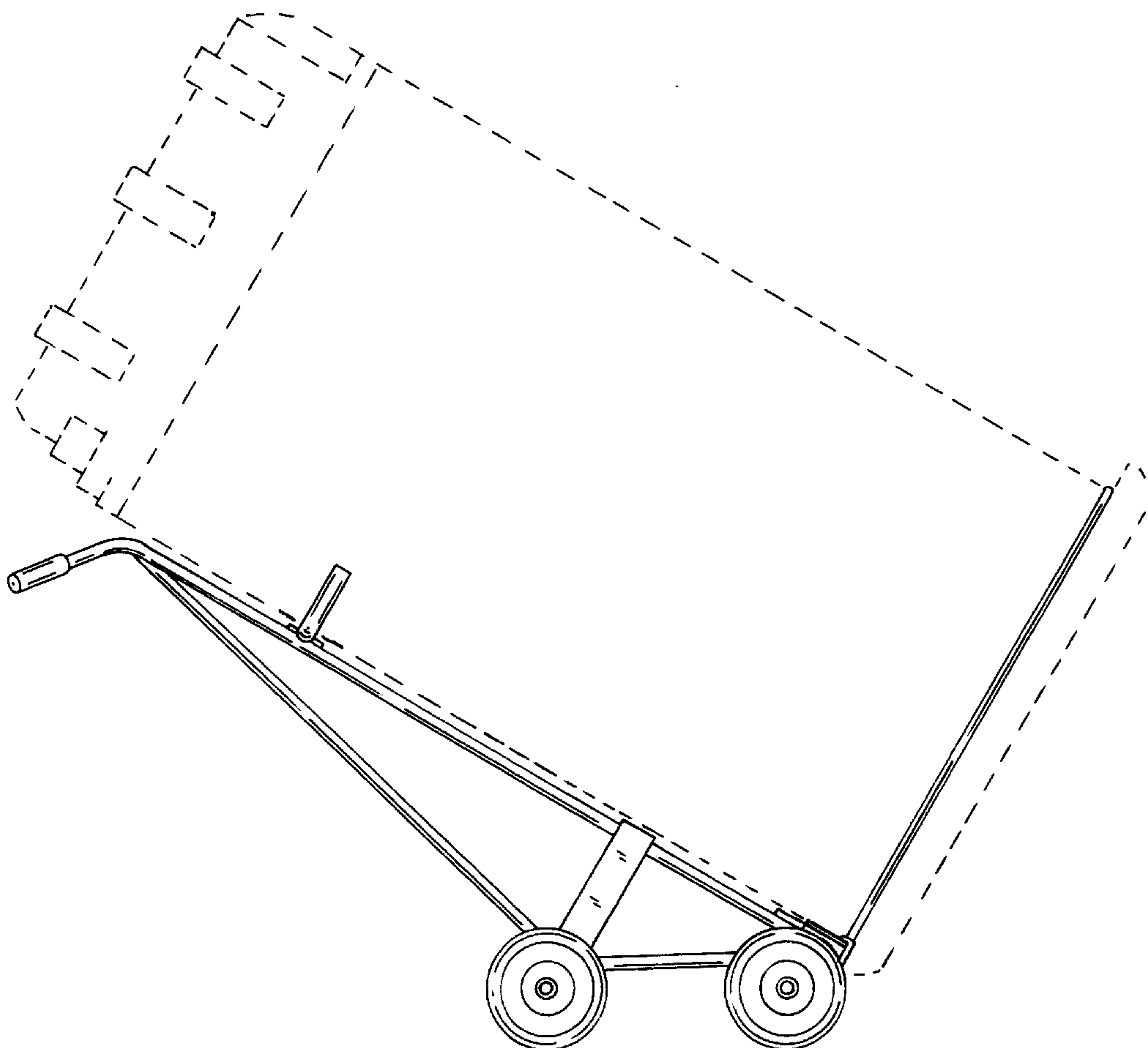
FIG. 3 is a rear elevation view thereof;

FIG. 4 is a right side elevation view thereof, the left side being a mirror image thereof;

FIG. 5 is a top plan view thereof; and,

FIG. 6 is a bottom plan view thereof.

1 Claim, 6 Drawing Sheets



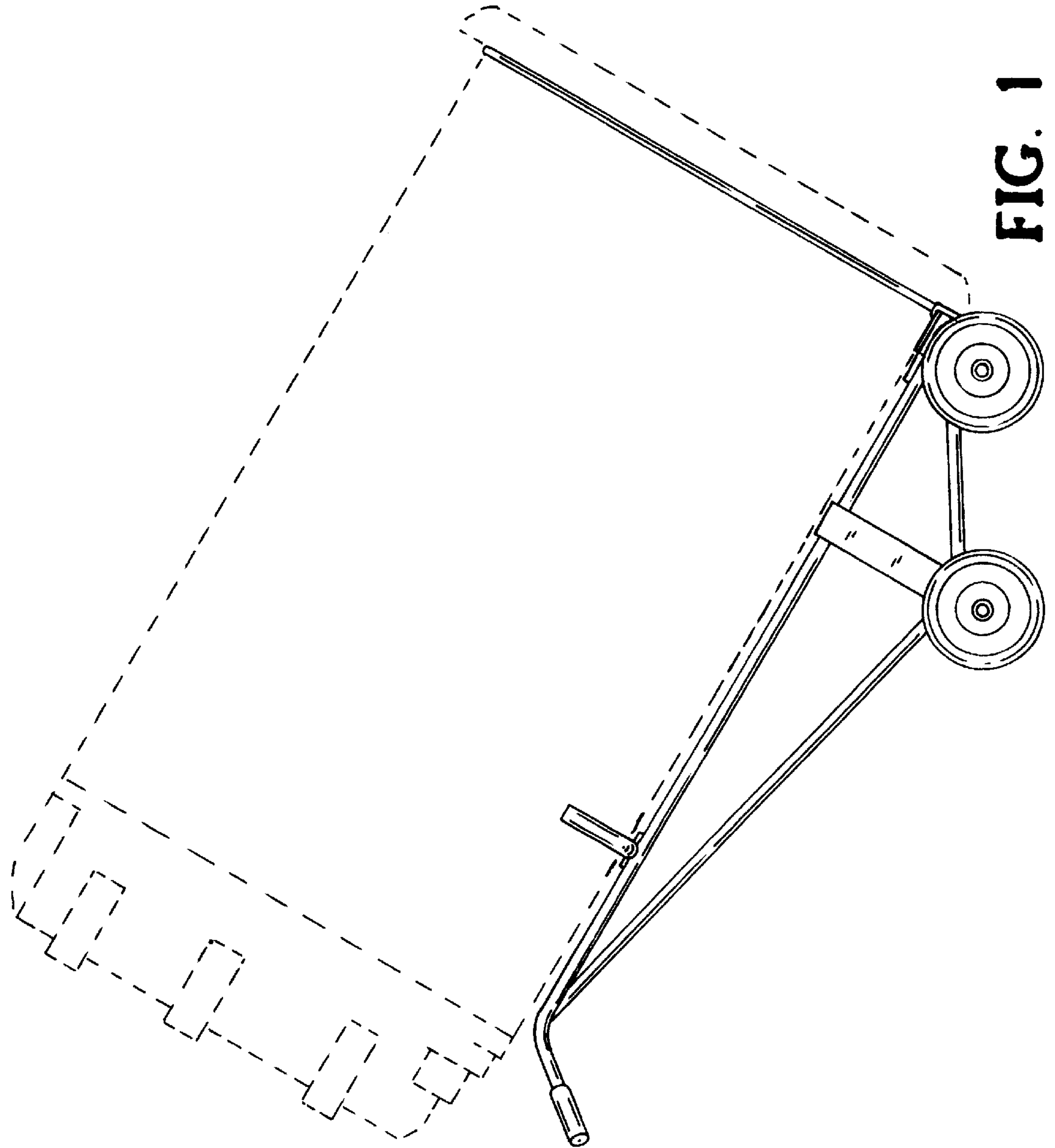


FIG. 1

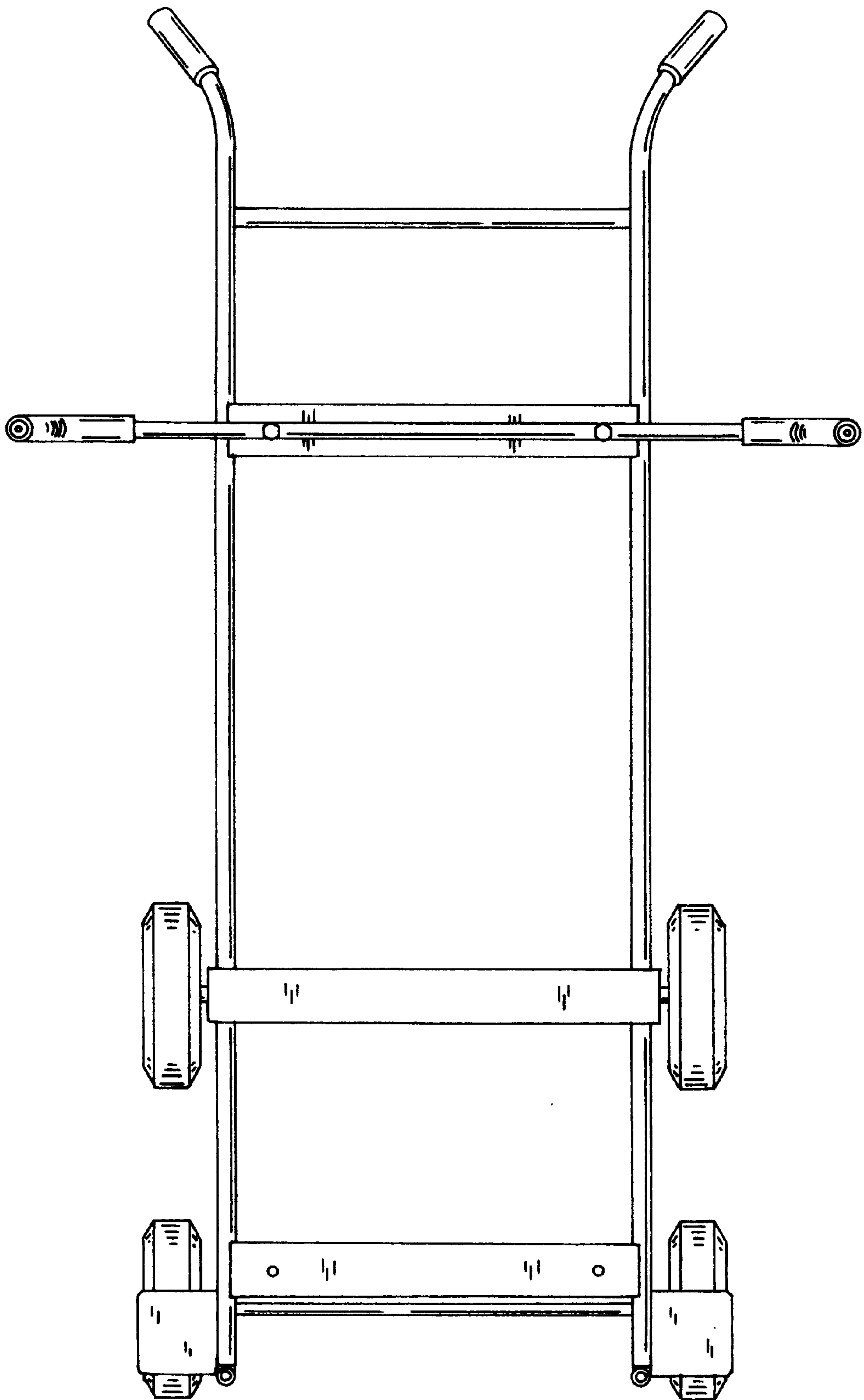


FIG. 2

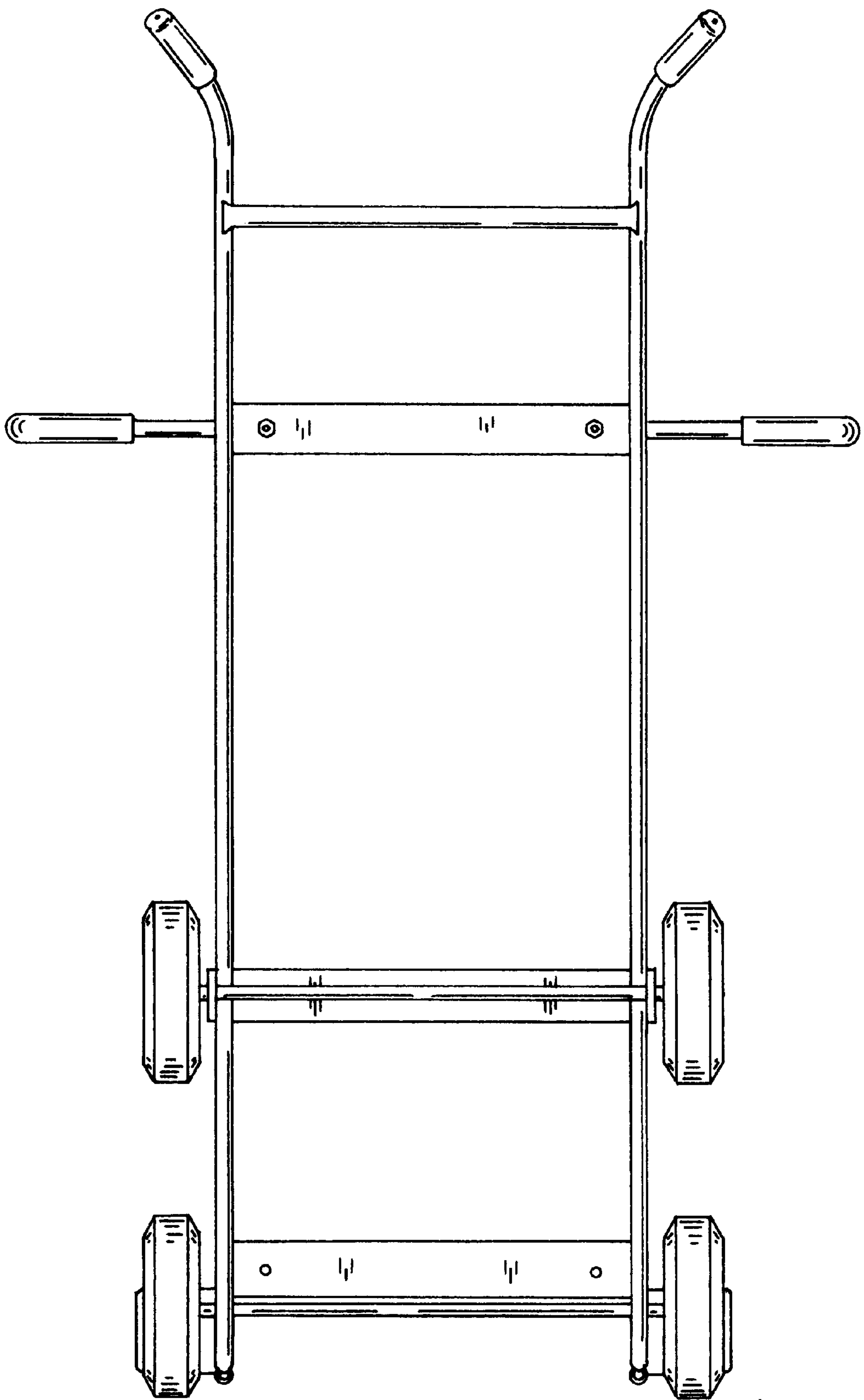


FIG. 3

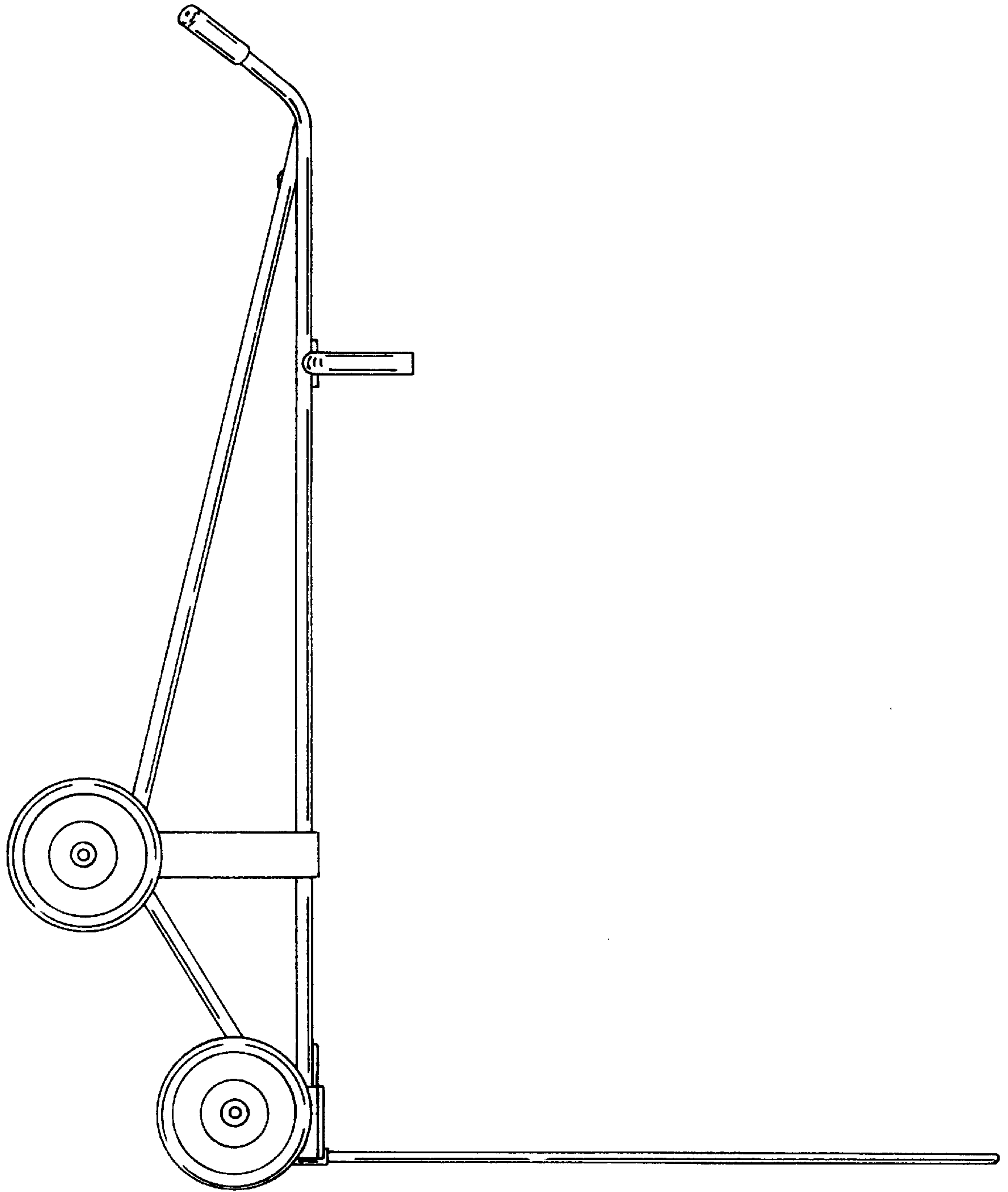


FIG. 4

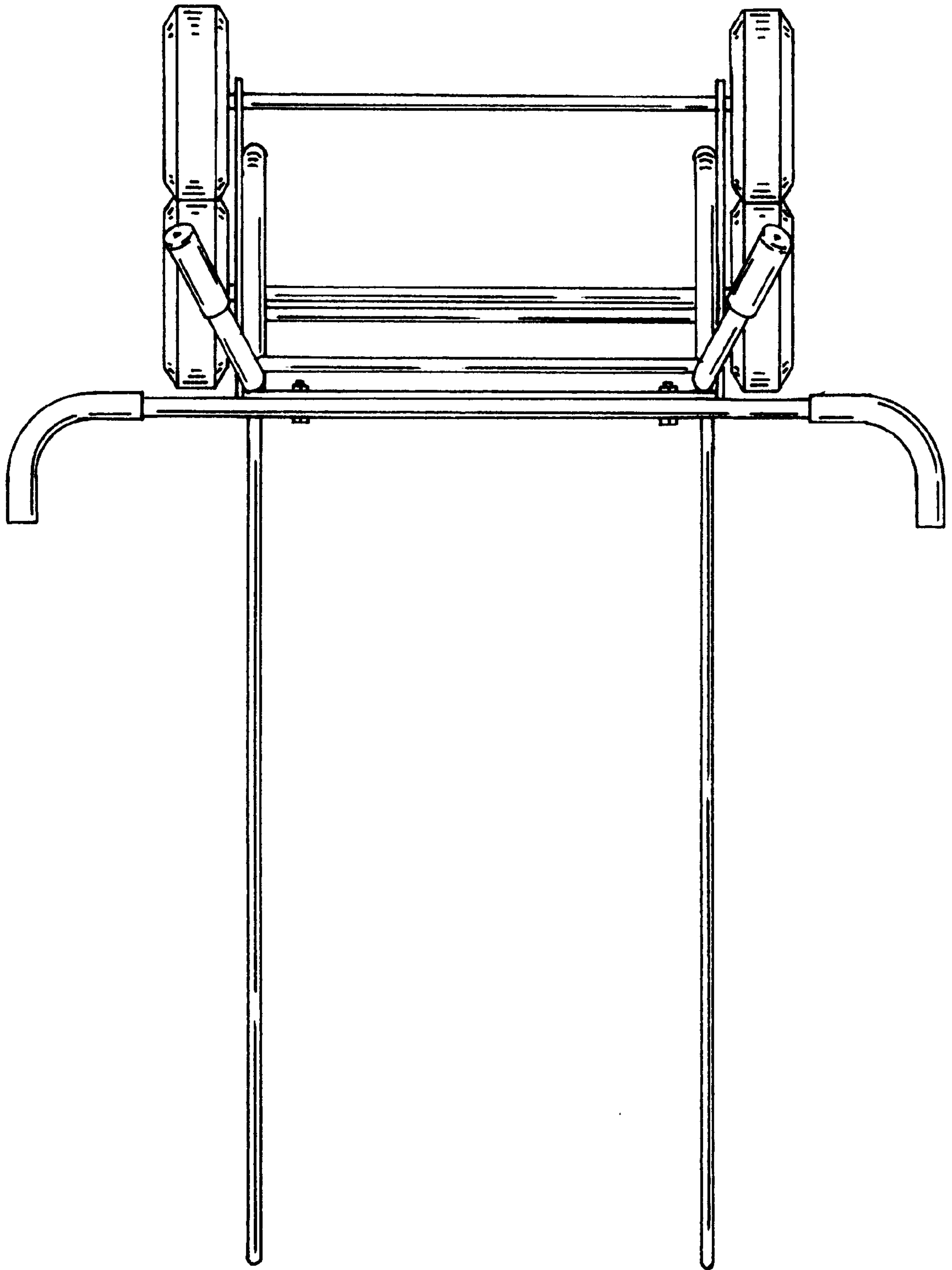


FIG. 5

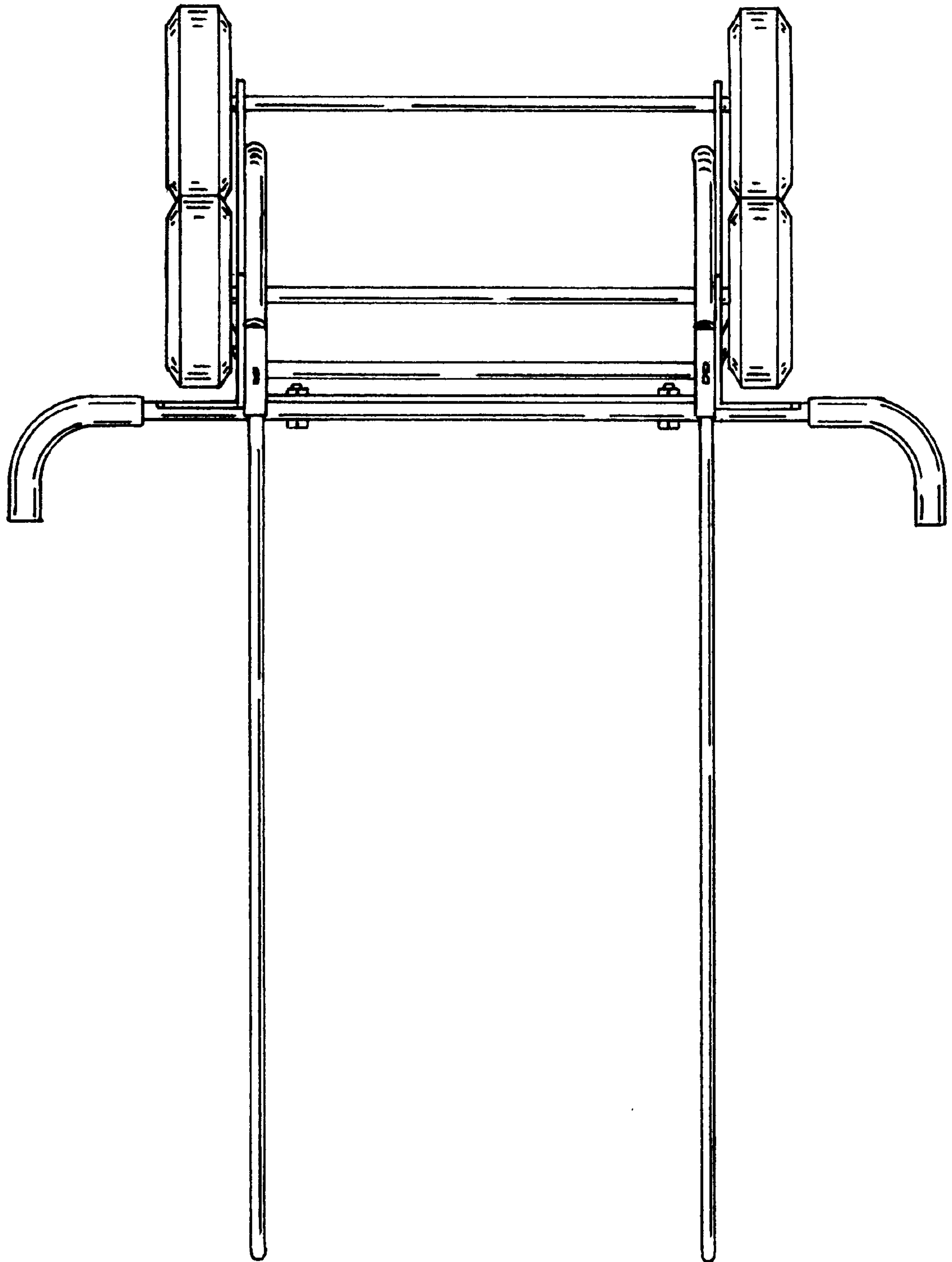


FIG. 6