



US00D412039S

**United States Patent** [19]  
**Landerholm et al.**

[11] **Patent Number: Des. 412,039**  
[45] **Date of Patent: \*\* Jul. 13, 1999**

[54] **ADJUSTABLE WORK LIGHT**

[75] Inventors: **John Landerholm; Peter Lund**, both of Århus, Denmark

[73] Assignee: **Jo-El A/S**, Odense SO, Denmark

[\*\*] Term: **14 Years**

[21] Appl. No.: **29/073,631**

[22] Filed: **Jul. 11, 1997**

[30] **Foreign Application Priority Data**

Feb. 28, 1997 [DK] Denmark ..... MA 0247 1997

[51] **LOC (6) Cl.** ..... **26-05**

[52] **U.S. Cl.** ..... **D26/63**

[58] **Field of Search** ..... D26/24, 61, 63, D26/65, 72, 80-96, 75, 76, 77; 362/269, 275, 285, 287, 418, 419, 427, 430, 147, 404-408, 35

[56] **References Cited**

**U.S. PATENT DOCUMENTS**

- D. 267,516 1/1983 Rambusch ..... D26/24 X
- D. 282,106 1/1986 Freytag ..... D26/24
- D. 334,995 4/1993 Schreder ..... D26/24 X

*Primary Examiner*—Susan J. Lucas

*Attorney, Agent, or Firm*—Finnegan, Henderson, Farabow, Garrett & Dunner, L.L.P.

[57] **CLAIM**

The ornamental design for an adjustable work light, as shown and described.

**DESCRIPTION**

FIG. 1 is a perspective view from the left side of the front of an adjustable work light showing our new design;

FIG. 2 is a left side elevational view, the right side being identical;

FIG. 3 is a perspective view from the left side of the rear of the adjustable work light;

FIG. 4 is a front elevational view;

FIG. 5 is a perspective view from the right side of the front of the adjustable work light resting in an inclined position;

FIG. 6 is a rear elevational view;

FIG. 7 is a perspective view from the left side of the front of a second embodiment of our design;

FIG. 8 is a perspective view from the left side to the rear of the second embodiment, the view from the right side being similar, but for the omission of the electrical box on the side of the extruding rear panel;

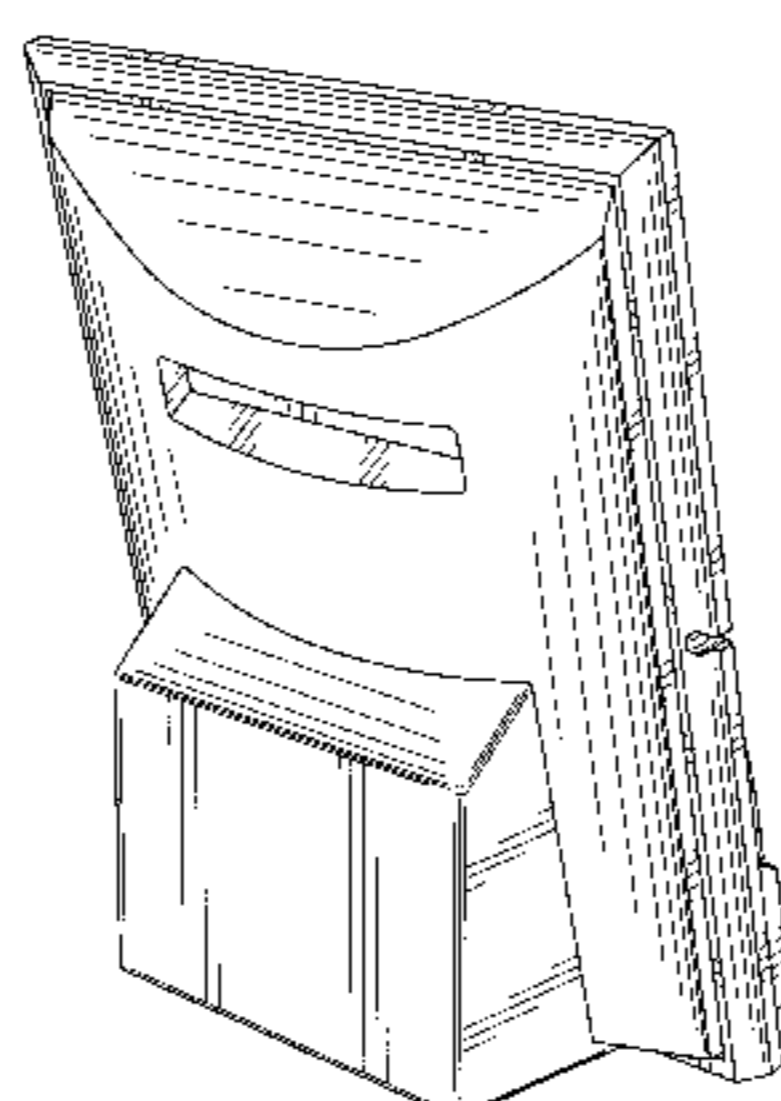
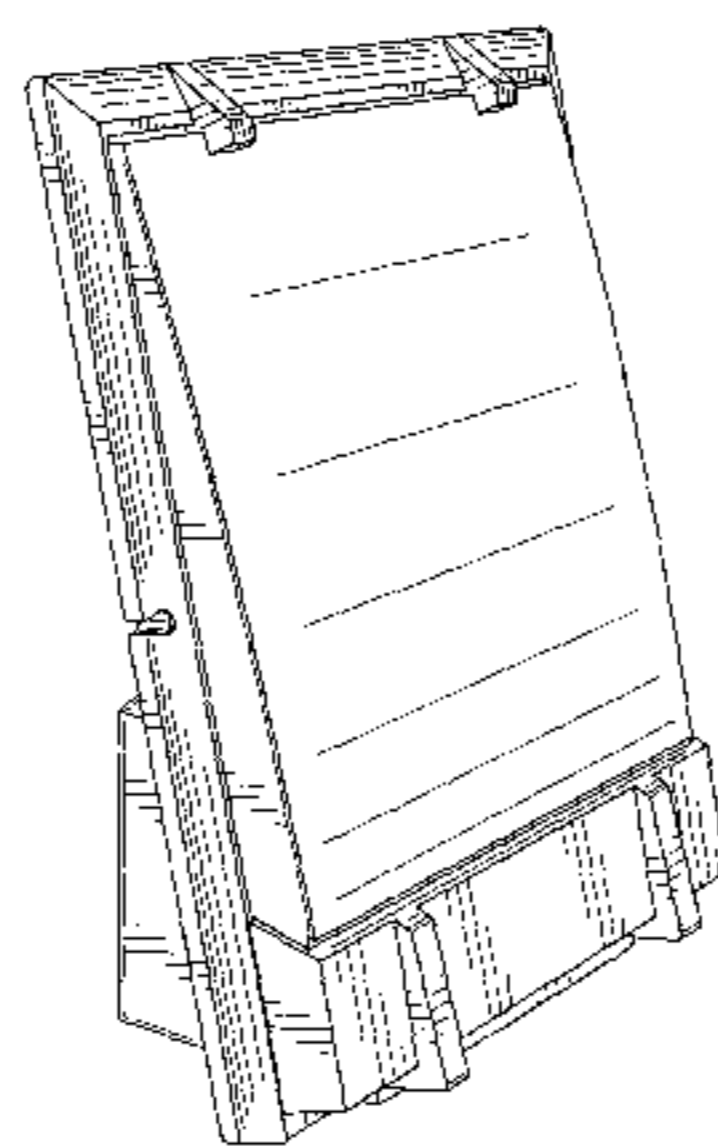
FIG. 9 is a left side elevational view of the second embodiment;

FIG. 10 is a perspective view from the left side of the front of a third embodiment of our design;

FIG. 11 is a perspective view from the left side to the rear of the third embodiment, the view from the right side being similar, but for the omission of the electrical box on the side of the extruding rear panel; and,

FIG. 12 is a left side elevational view of the third embodiment.

**1 Claim, 12 Drawing Sheets**



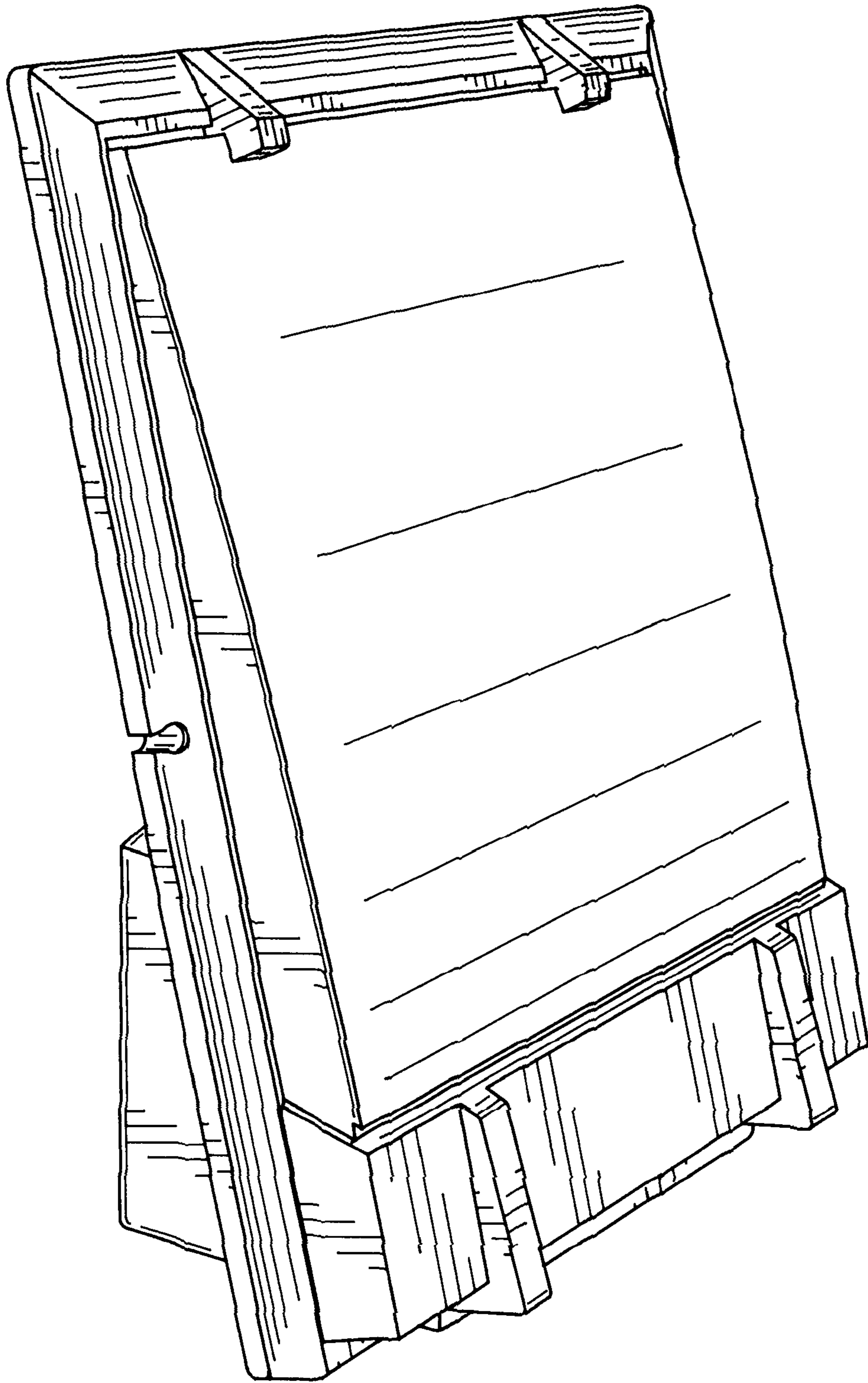


FIG. 1

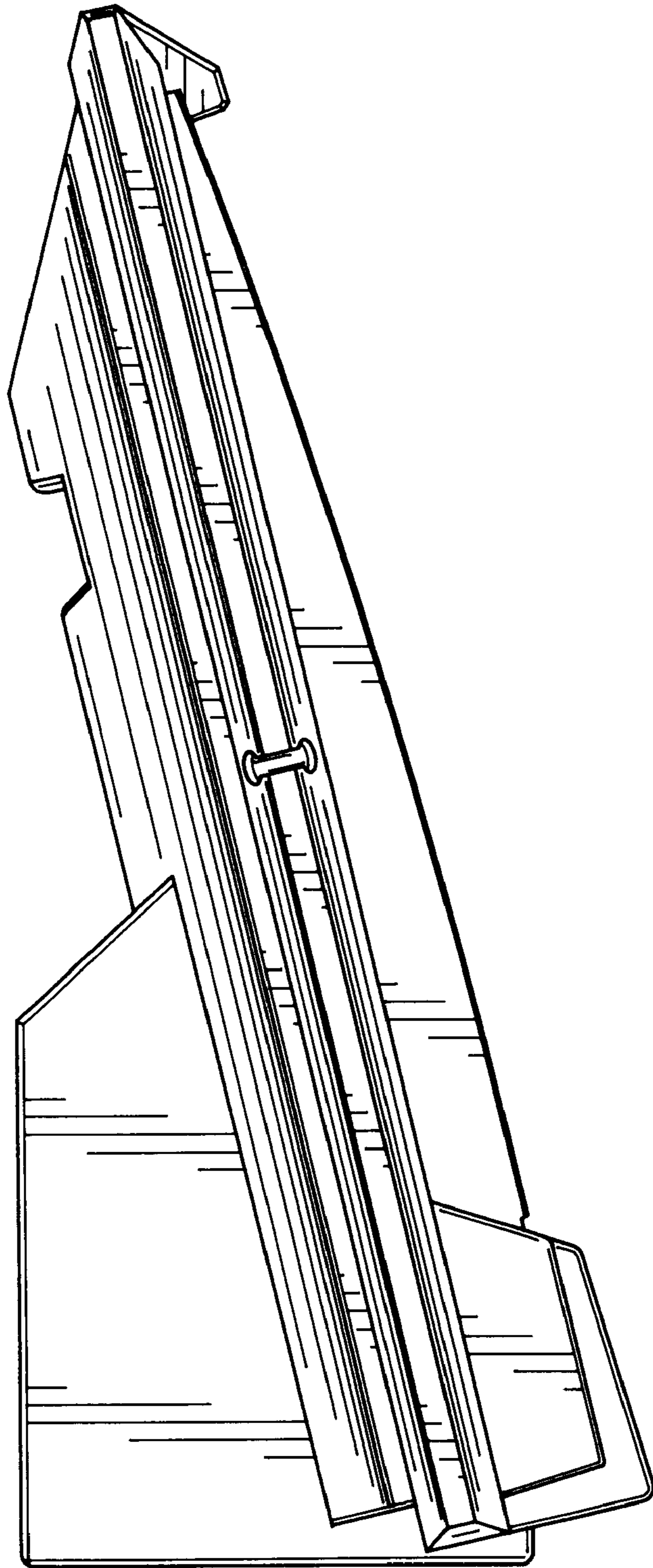


FIG. 2

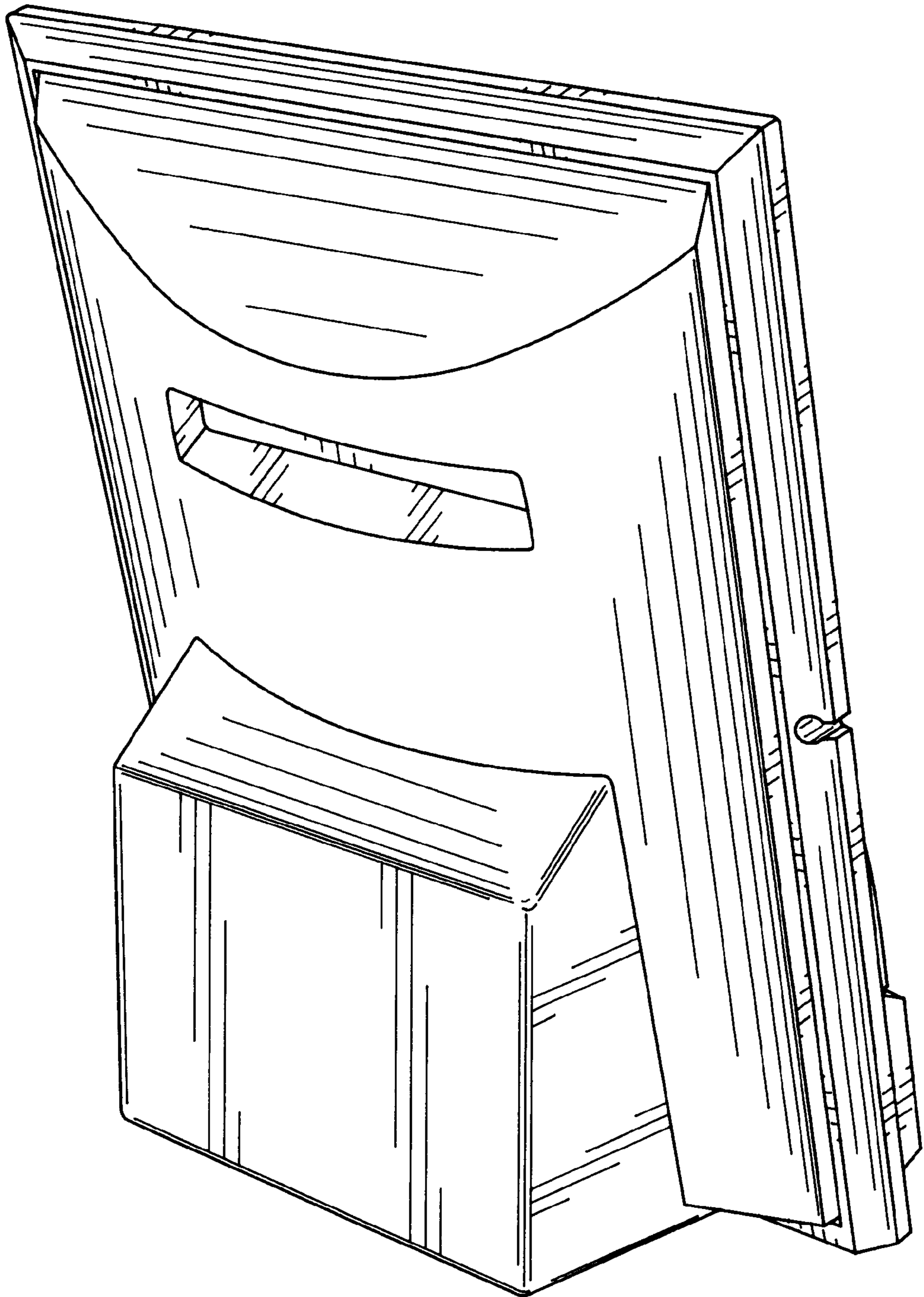


FIG. 3

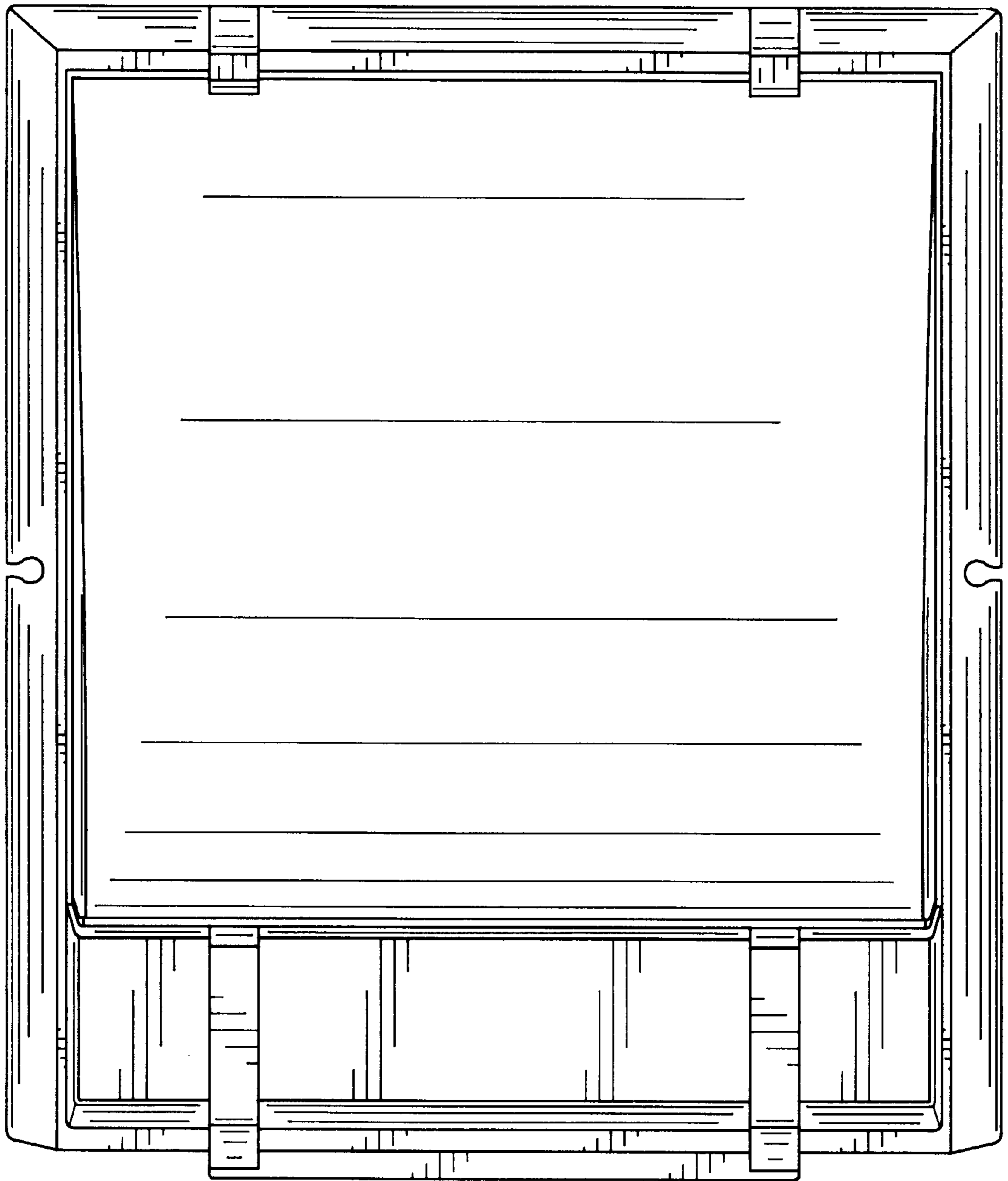


FIG. 4

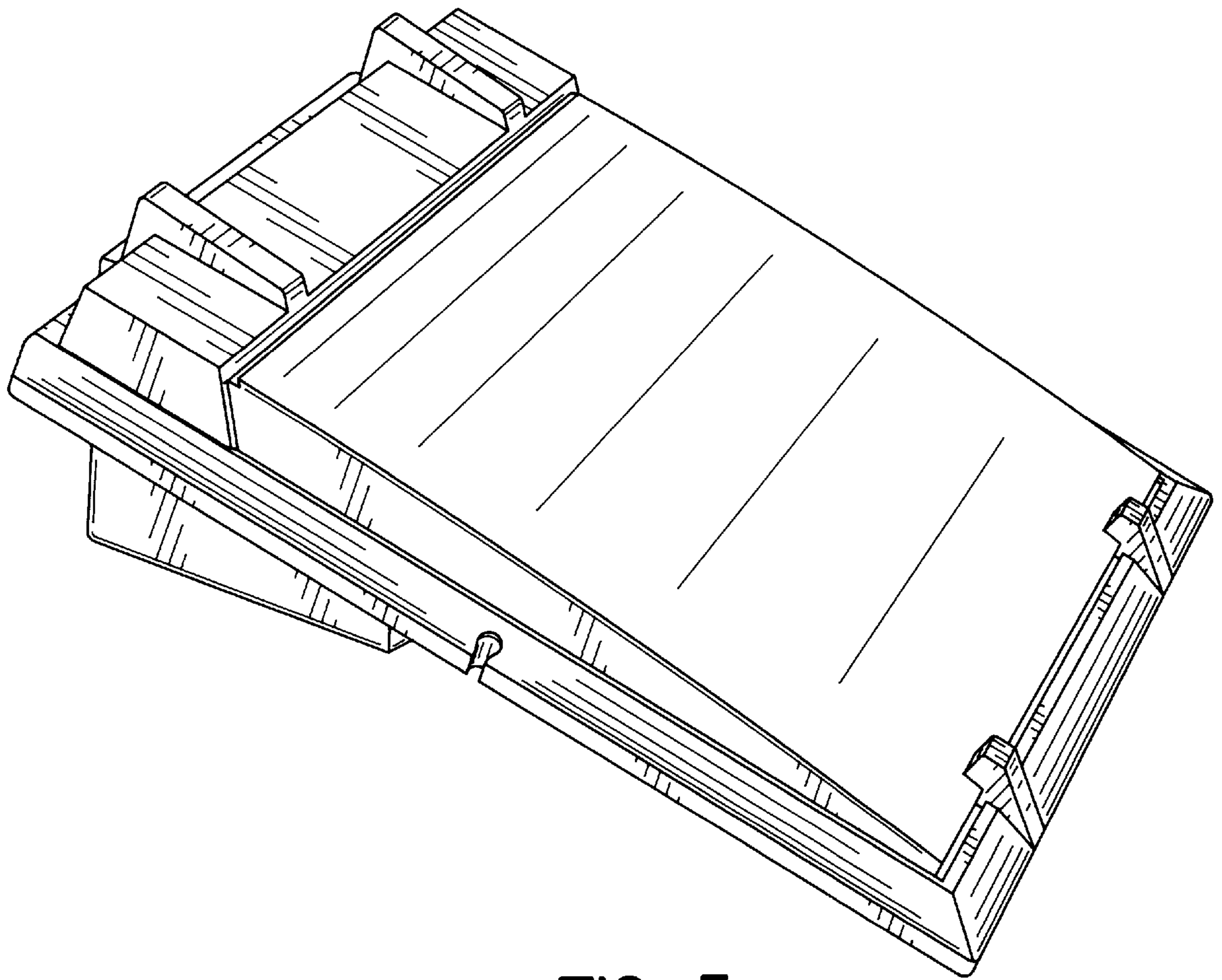


FIG. 5

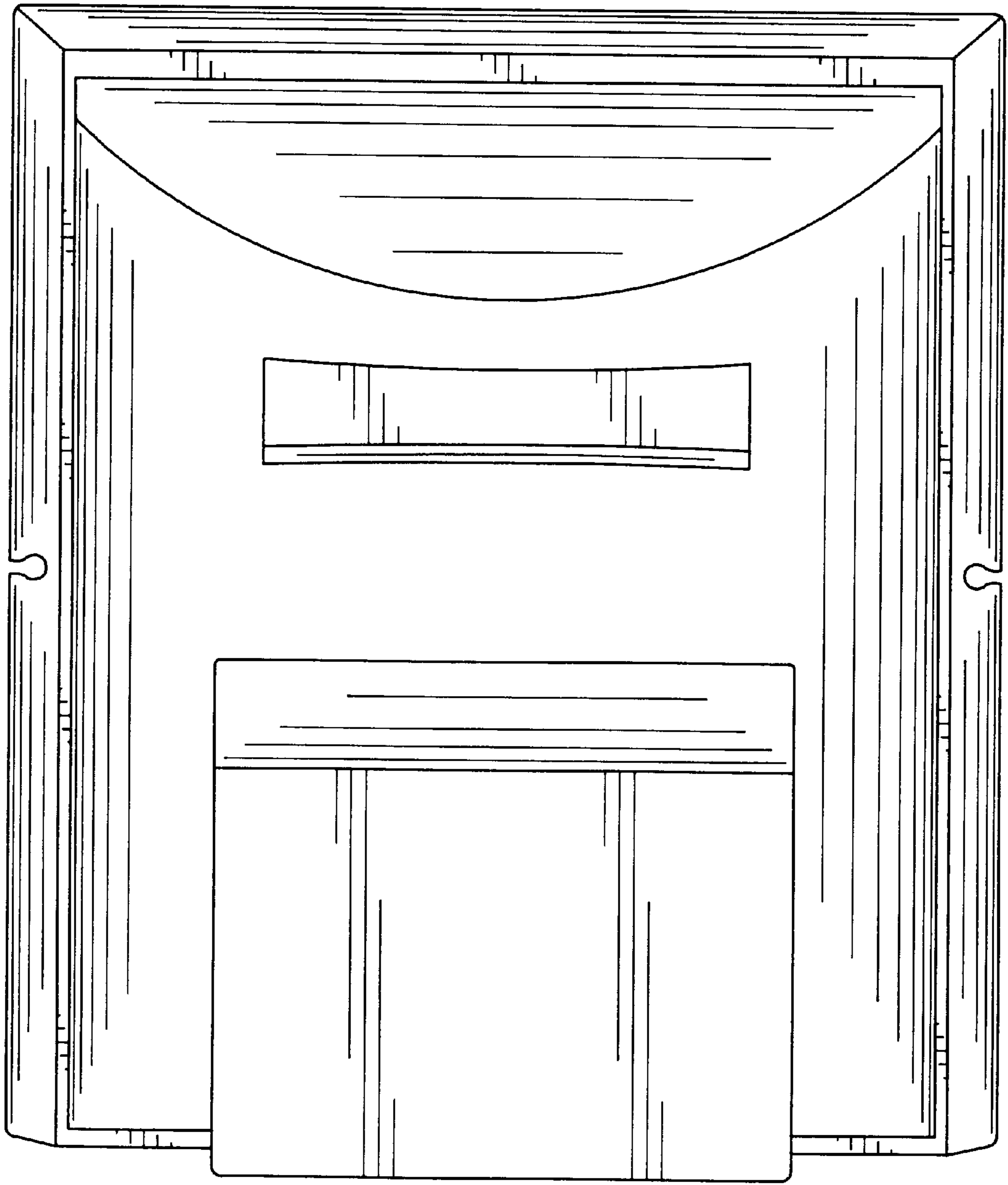


FIG. 6

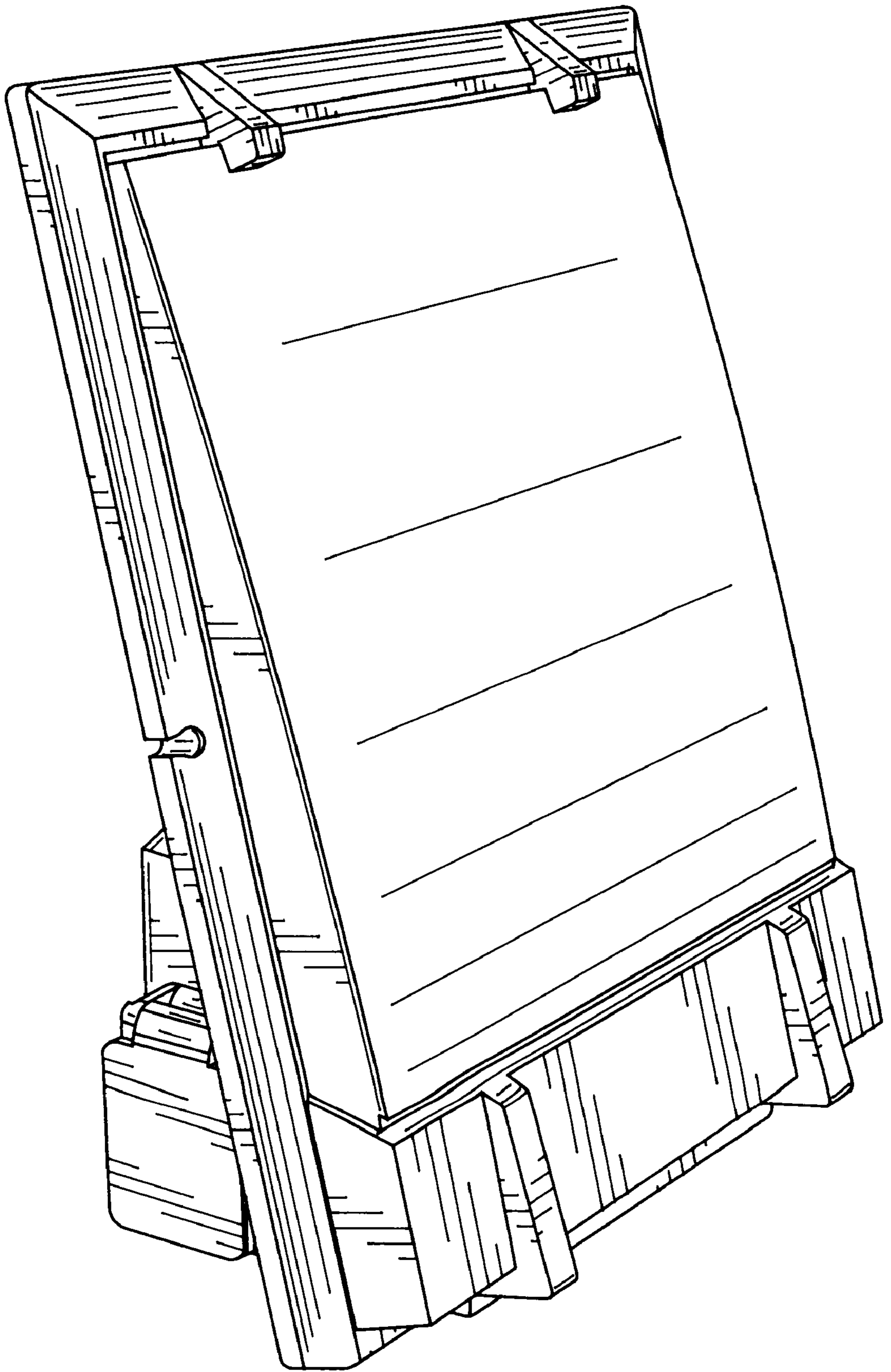


FIG. 7



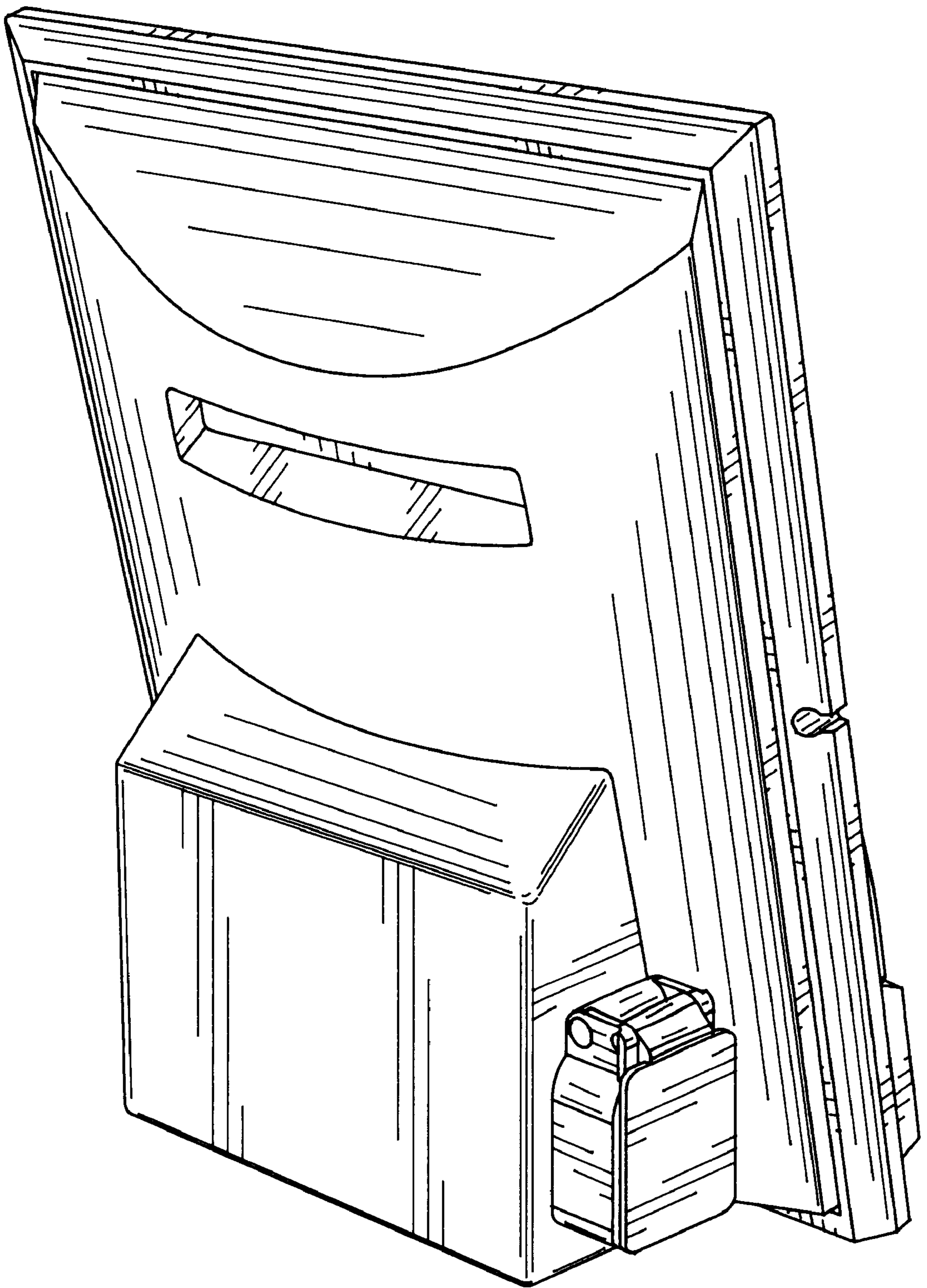


FIG. 8

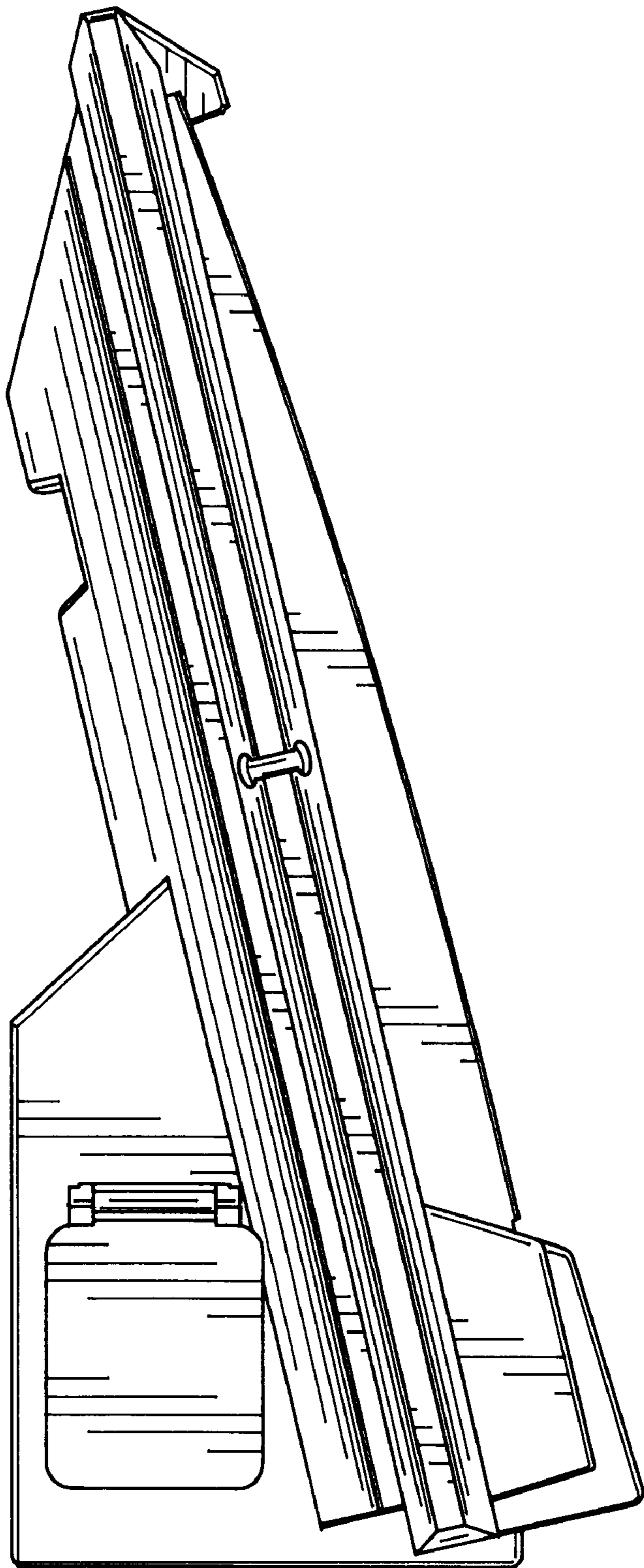


FIG. 9

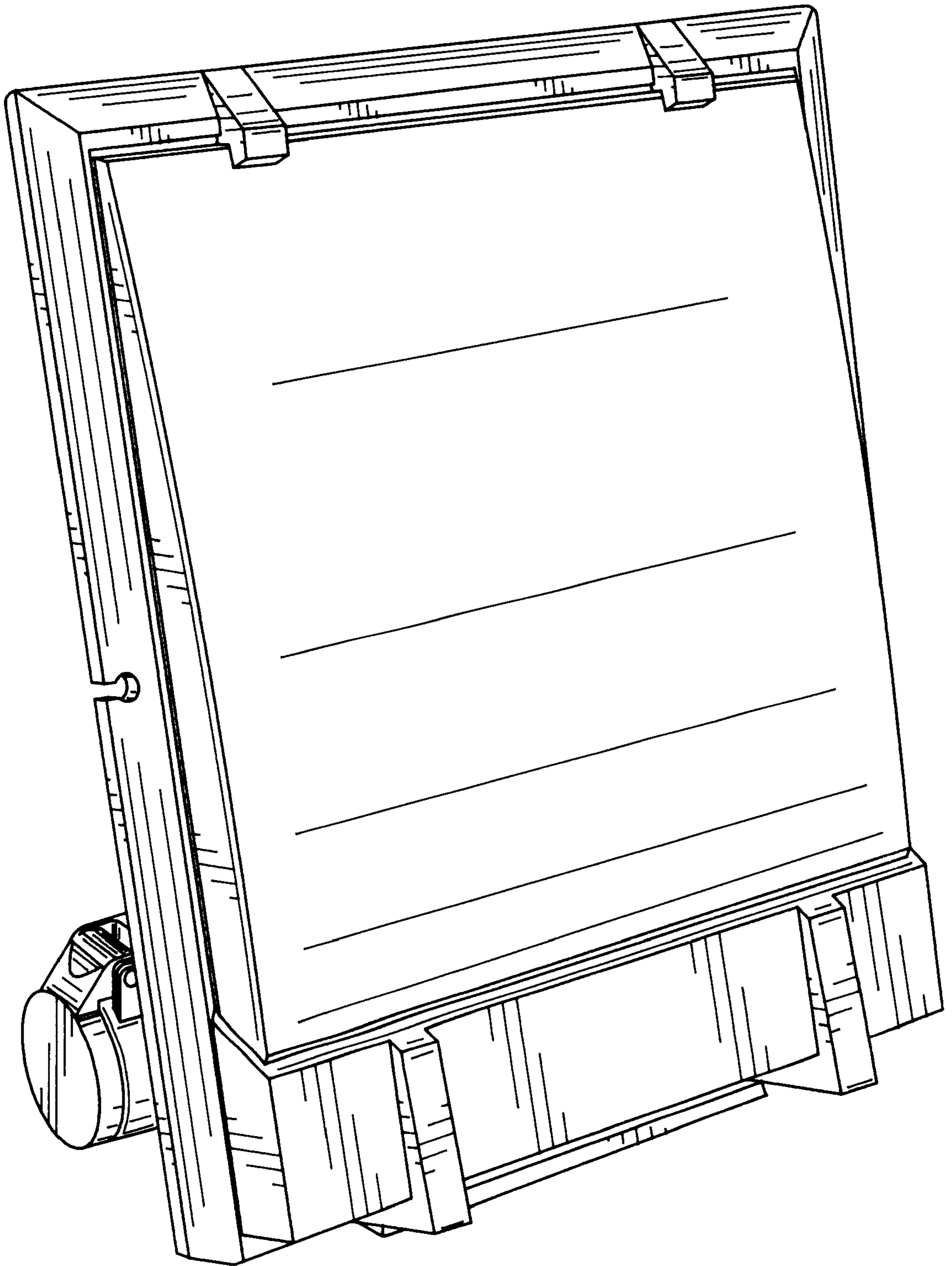


FIG. 10

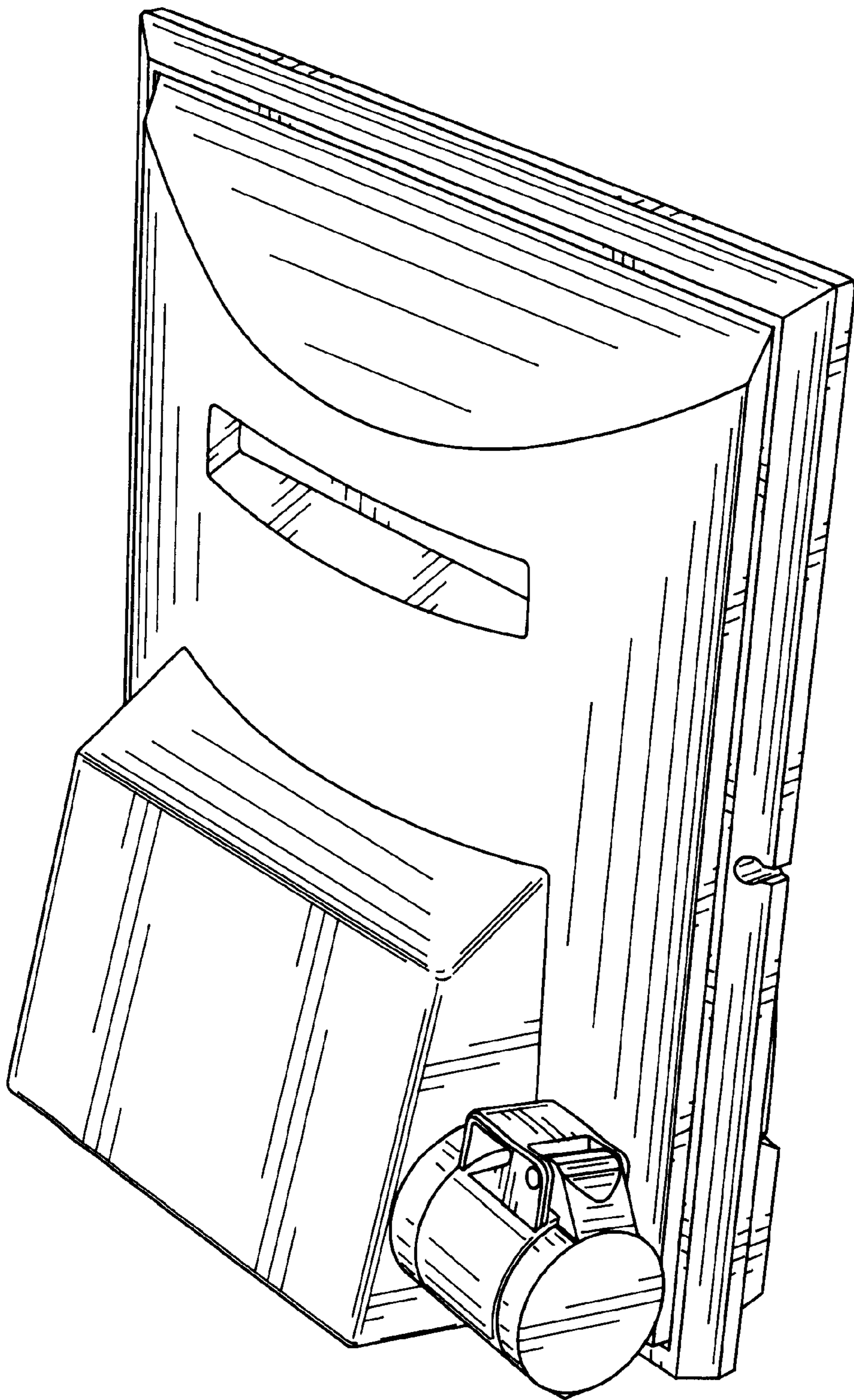


FIG. 11

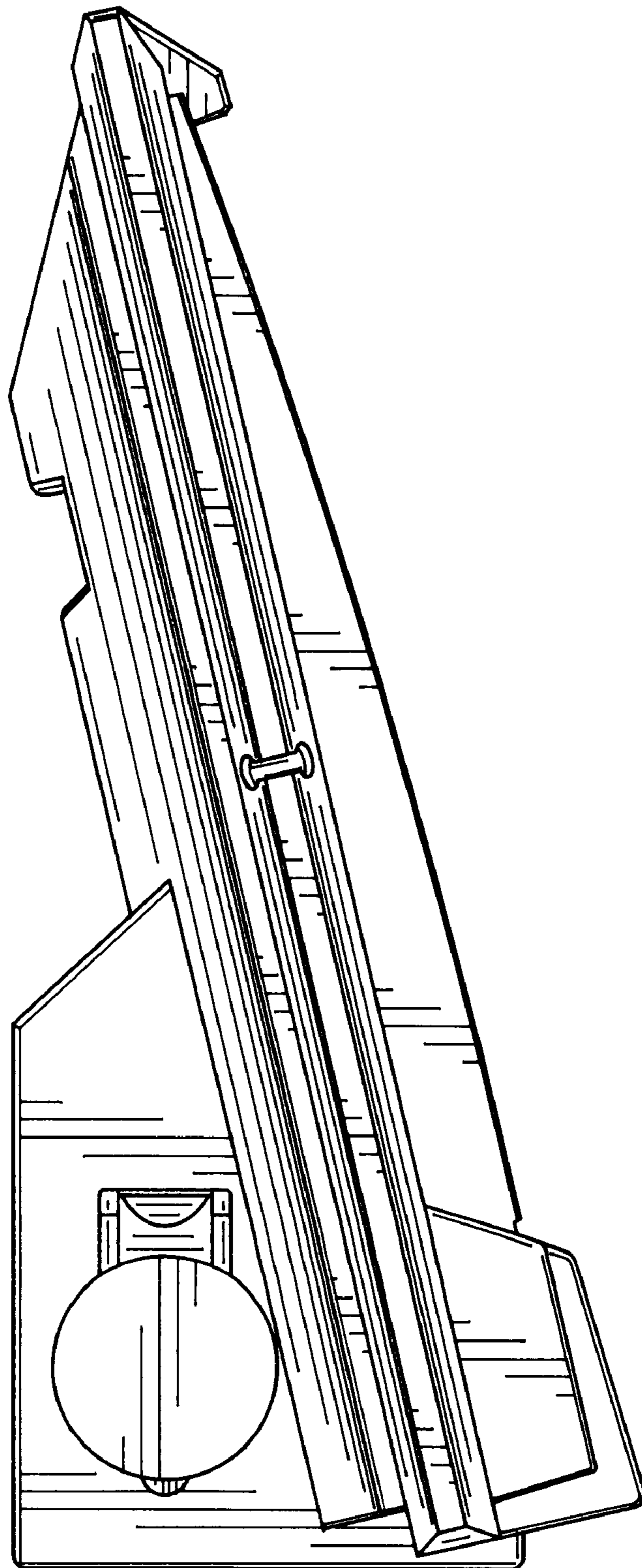


FIG. 12