



US00D412037S

United States Patent [19] Compton

[11] **Patent Number: Des. 412,037**
[45] **Date of Patent: ** Jul. 13, 1999**

[54] **LUMINAIRE**

[75] **Inventor: Wayne W. Compton, Chino Hills, Calif.**

[73] **Assignee: Kim Lighting Inc., City of Industry, Calif.**

[**] **Term: 14 Years**

[21] **Appl. No.: 29/061,145**

[22] **Filed: Oct. 16, 1996**

Related U.S. Application Data

[51] **LOC (6) Cl. 26-04**
[52] **U.S. Cl. D26/2**
[58] **Field of Search D26/1, 2, 3, 24;**
362/326, 334, 335, 337, 351, 355; 313/113,
315, 318, 493

[56] **References Cited**

U.S. PATENT DOCUMENTS

D. 266,954 11/1982 Gordan D26/1
D. 341,219 11/1993 Lamp D26/2
D. 346,455 4/1994 Mays D26/2

Primary Examiner—Marcus A. Jackson
Attorney, Agent, or Firm—Lyon & Lyon LLP

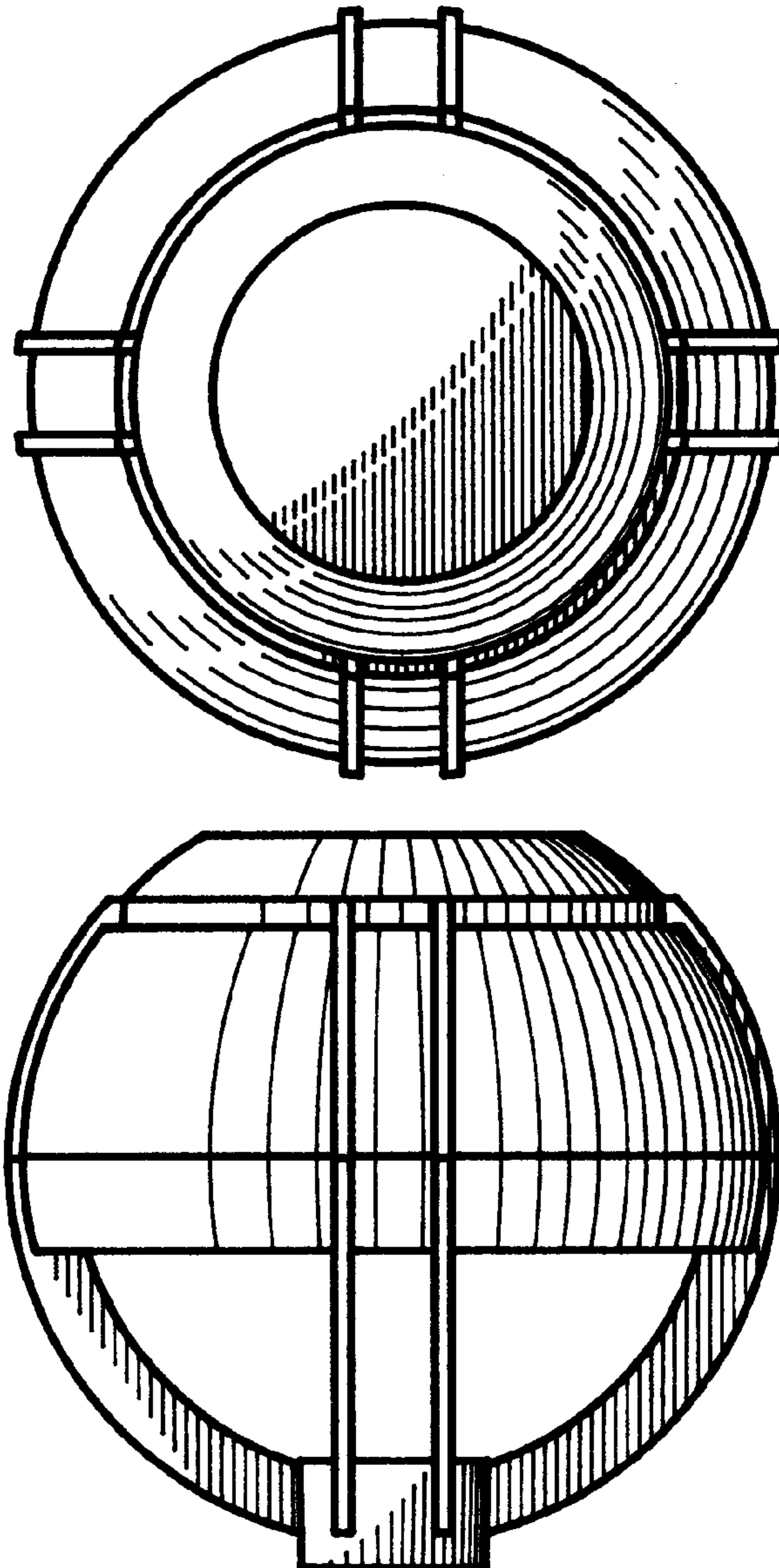
[57] **CLAIM**

The ornamental design for a luminaire, as shown and described.

DESCRIPTION

FIG. 1 is a top view of the new design, FIGS. 2 and 3 are front and side views (which appear alike because of the symmetry of the design); and, FIG. 4 is a bottom view.

1 Claim, 1 Drawing Sheet



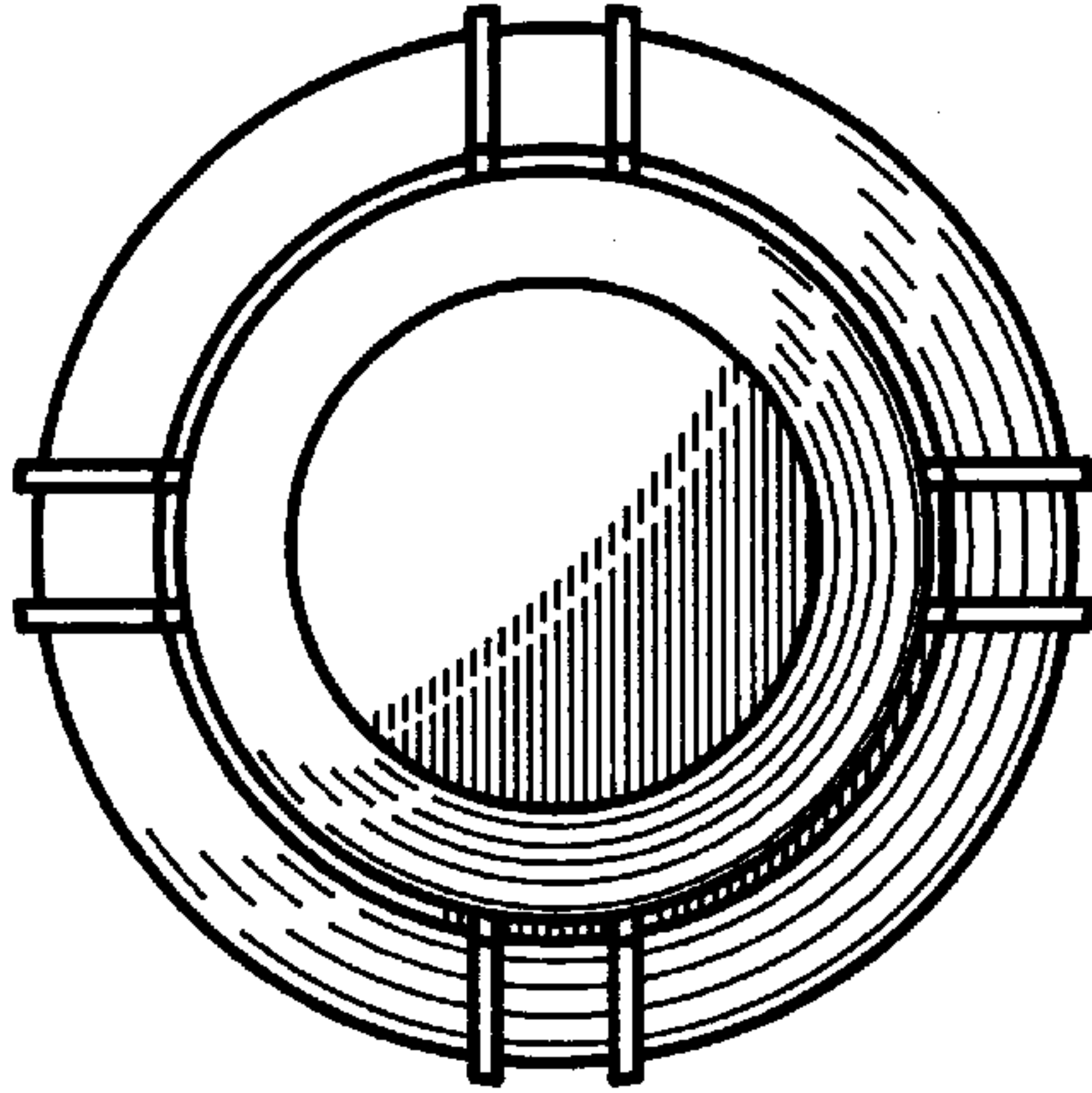


FIG. 1

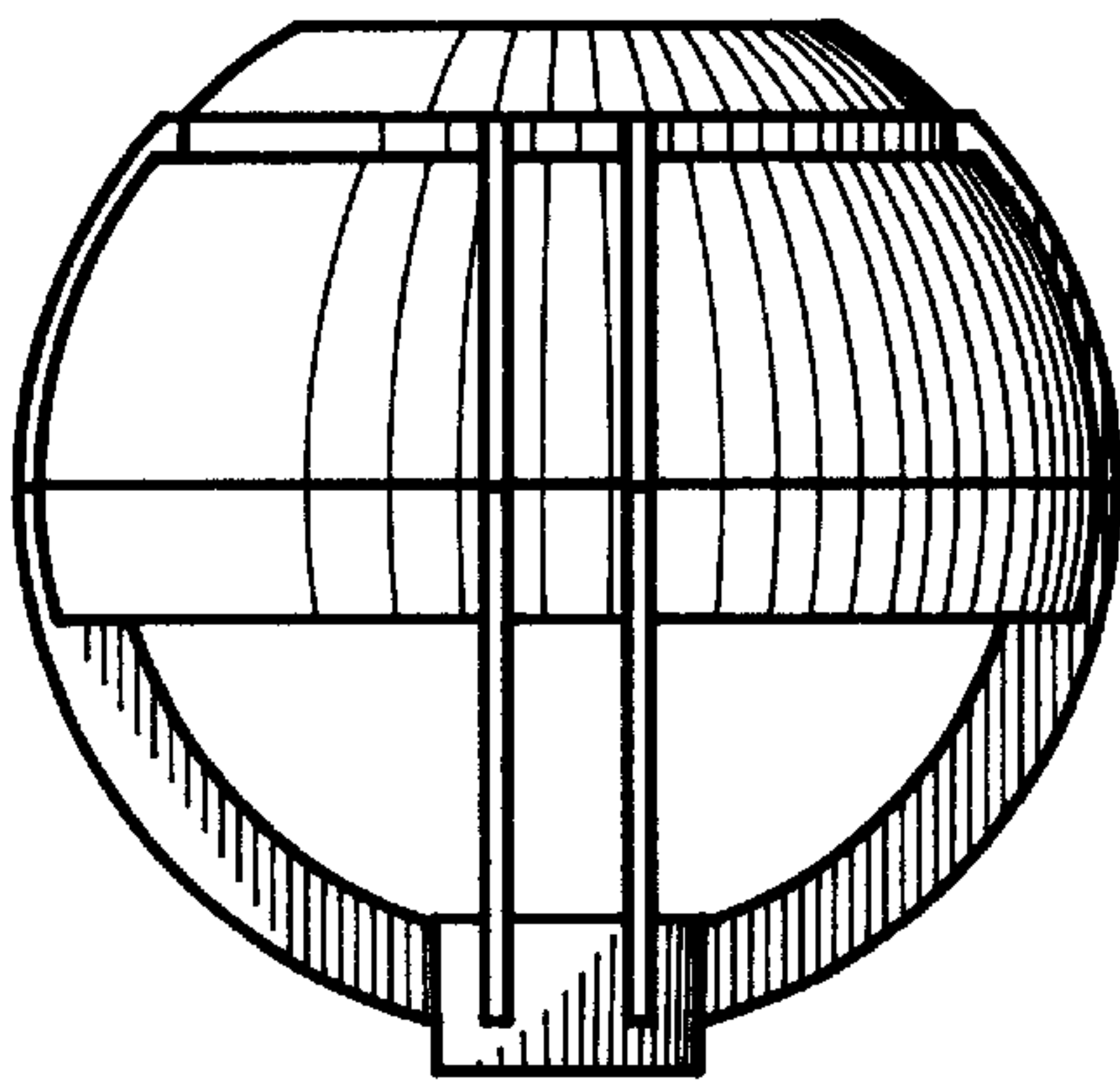


FIG. 2

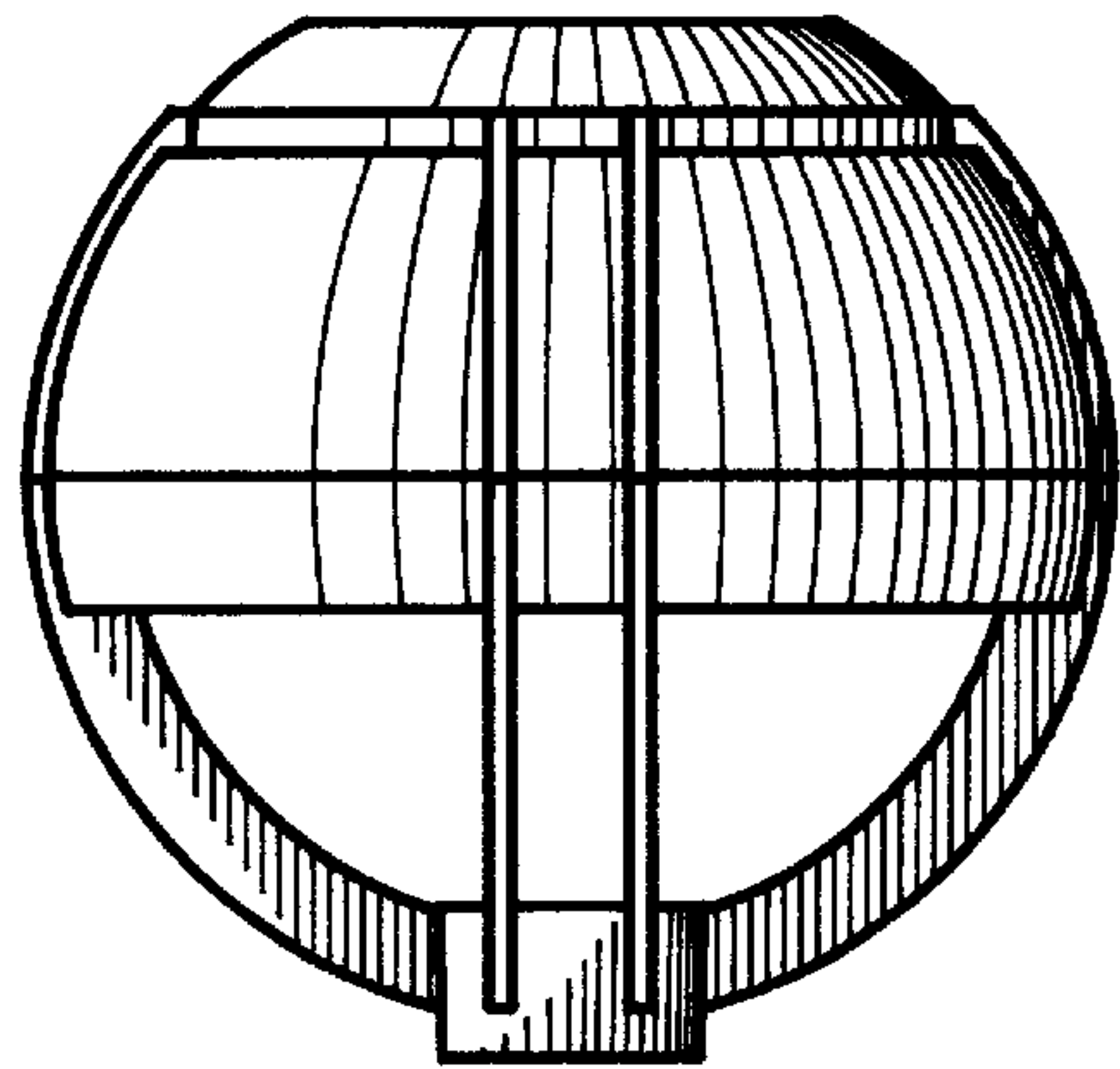


FIG. 3

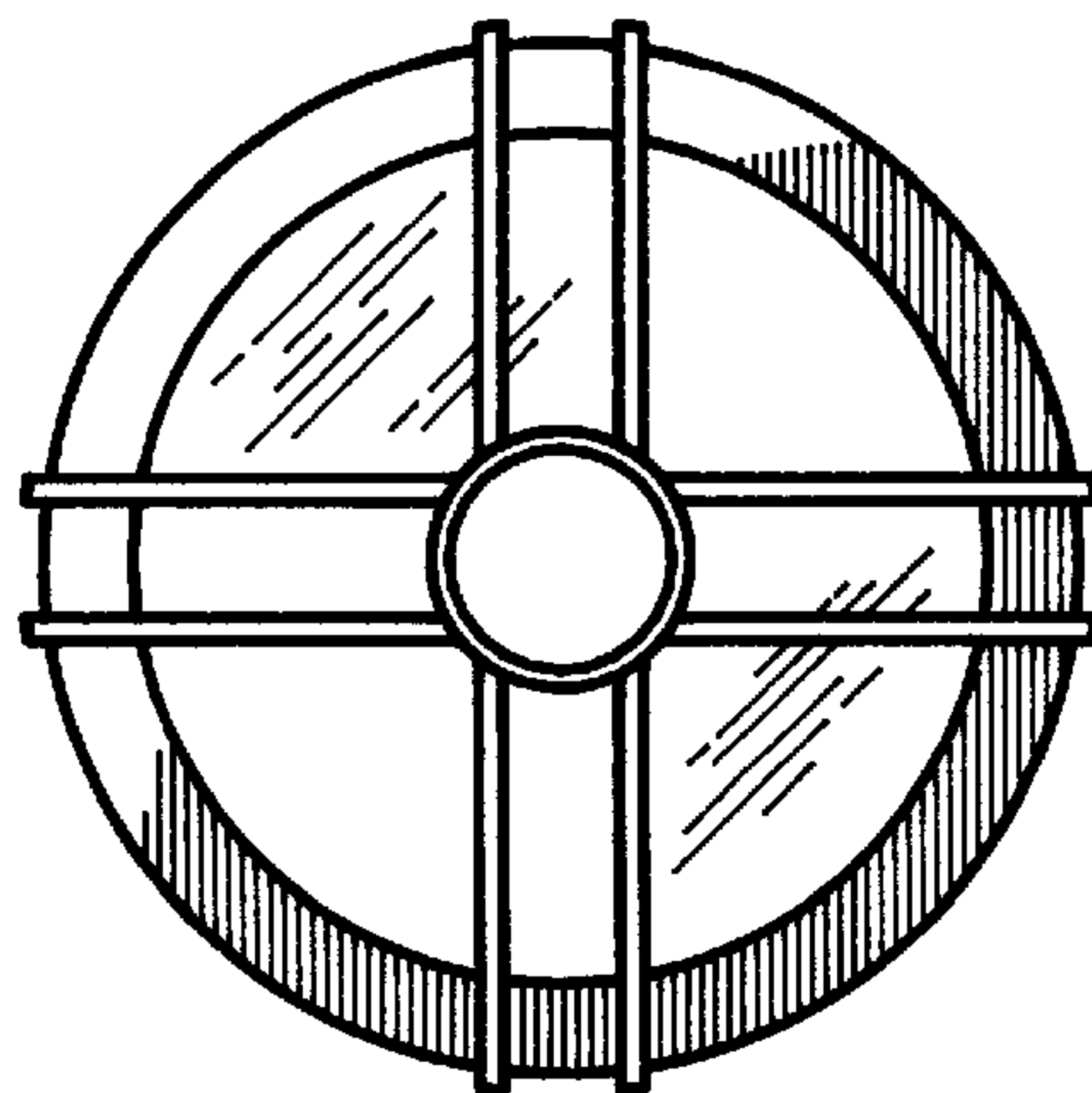


FIG. 4