



US00D412036S

United States Patent [19] Lee

[11] Patent Number: Des. 412,036

[45] Date of Patent: ** Jul. 13, 1999

[54] CROSS FRAME MEMBER FOR BURGLAR-PROOF GRATINGS

5,274,978 1/1994 Burkhart 52/656.8

[76] Inventor: Ming-Kun Lee, 2/F., No. 13,
Hsing-Nan St., Nan-Kang Dist., Taipei
City, Taiwan

Primary Examiner—Doris Clark
Attorney, Agent, or Firm—Rosenberg, Klein & Bilker

[**] Term: 14 Years

[57] CLAIM

The ornamental design for a cross frame member for burglar-proof gratings, as shown and described.

[21] Appl. No.: 29/077,262

DESCRIPTION

[22] Filed: Sep. 30, 1997

FIG. 1 is a perspective view of a cross frame member for burglar-proof gratings showing my new design; FIG. 2 is a top plan view thereof; FIG. 3 is a bottom plan view thereof; FIG. 4 is a front elevational view thereof; FIG. 5 is a rear elevational view thereof; FIG. 6 is a left side elevational view thereof; and, FIG. 7 is a right side elevational view thereof; and, FIG. 8 is a front perspective view thereof, the broken lines disclosing a stainless steel burglar proof door is for illustrative purposes only and forms no part of the claimed design.

[51] LOC (6) Cl. 25-02

[52] U.S. Cl. D25/53

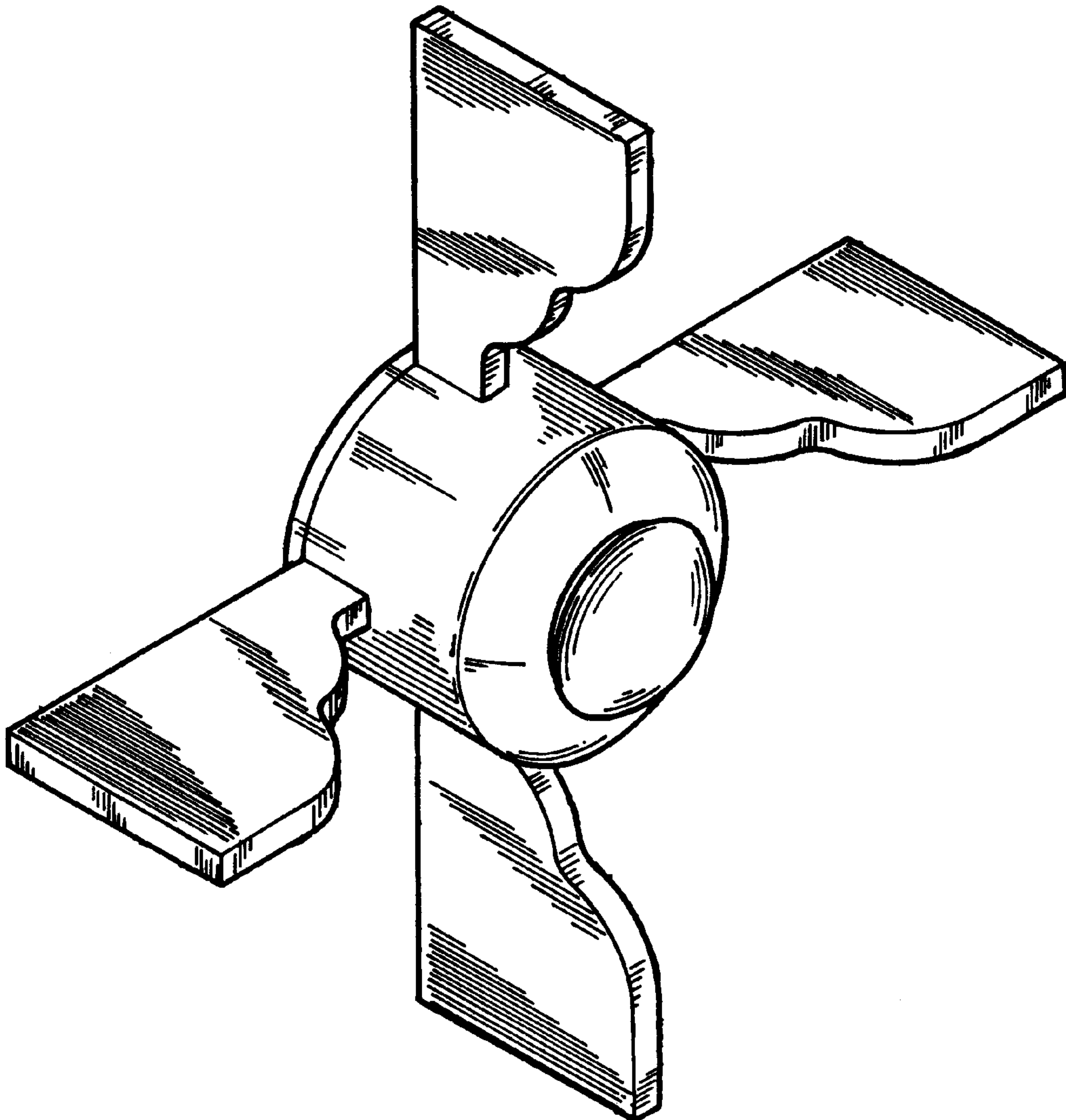
[58] Field of Search D25/53; 52/656.8,
52/661; 160/238

[56] References Cited

U.S. PATENT DOCUMENTS

- D. 199,759 12/1964 Becker et al. D25/53
- D. 329,706 9/1992 Hermens et al. D25/53
- 4,016,699 4/1977 Hurvitz 52/656.8

1 Claim, 5 Drawing Sheets



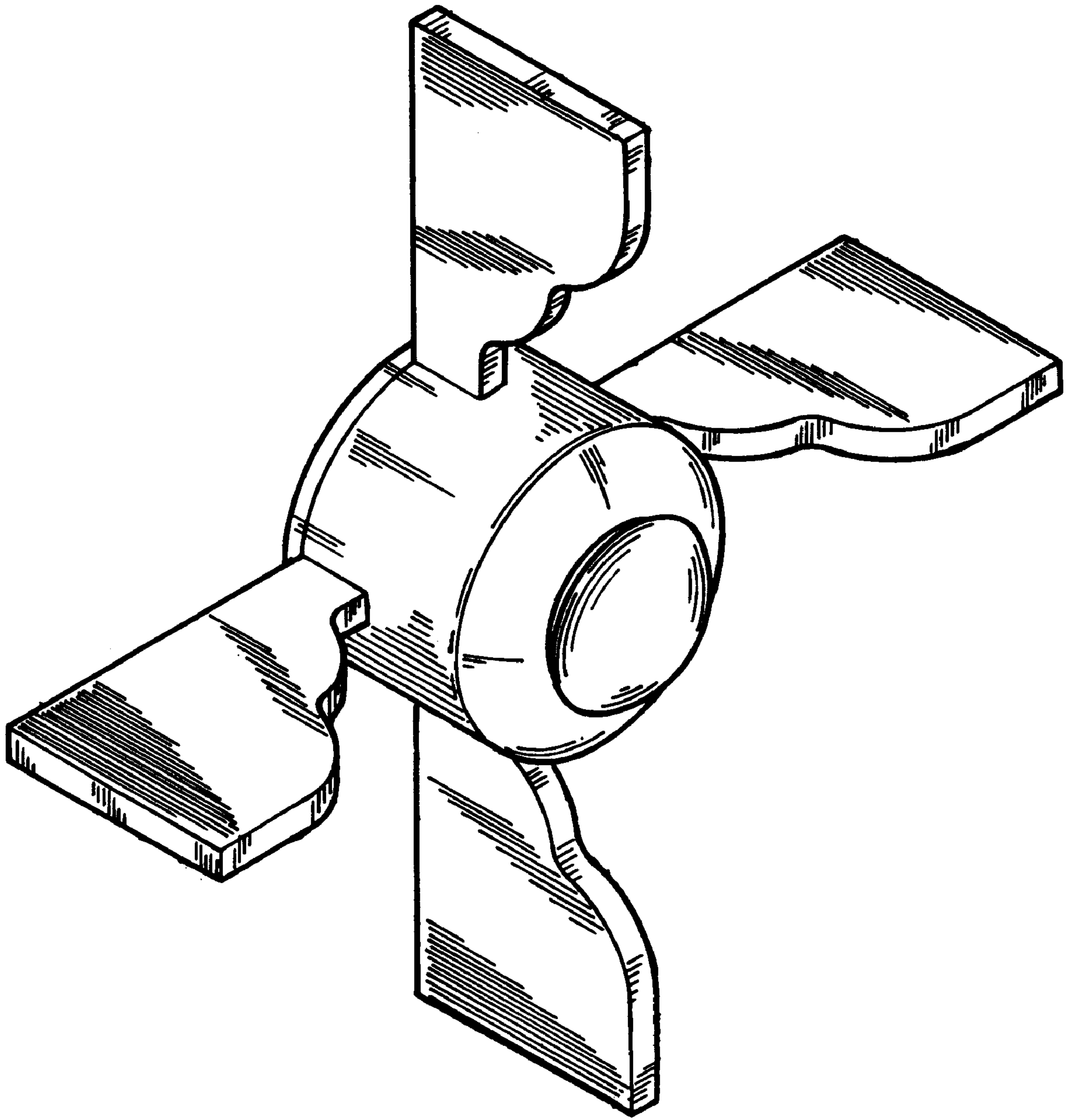


FIG. 1

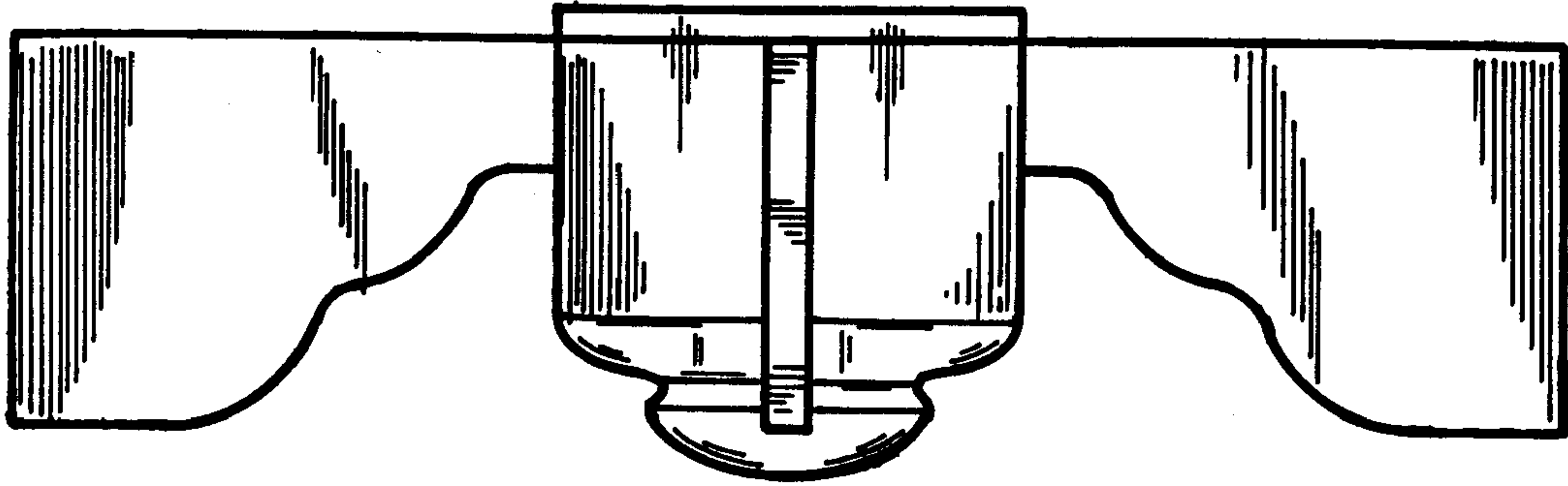


FIG. 2

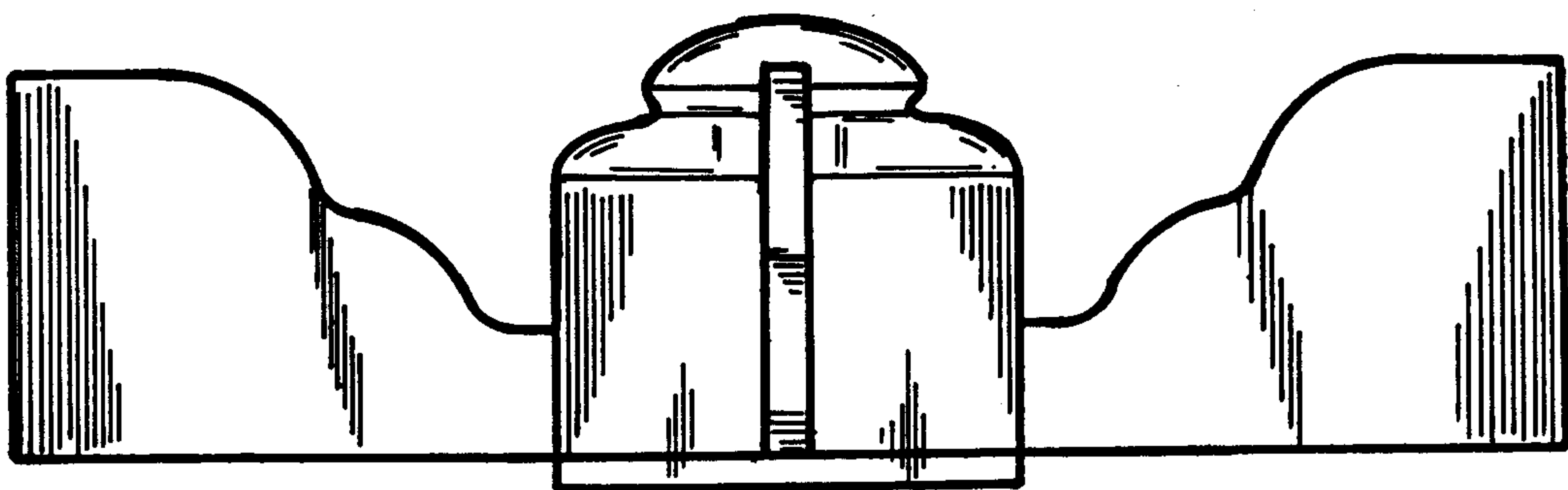


FIG. 3

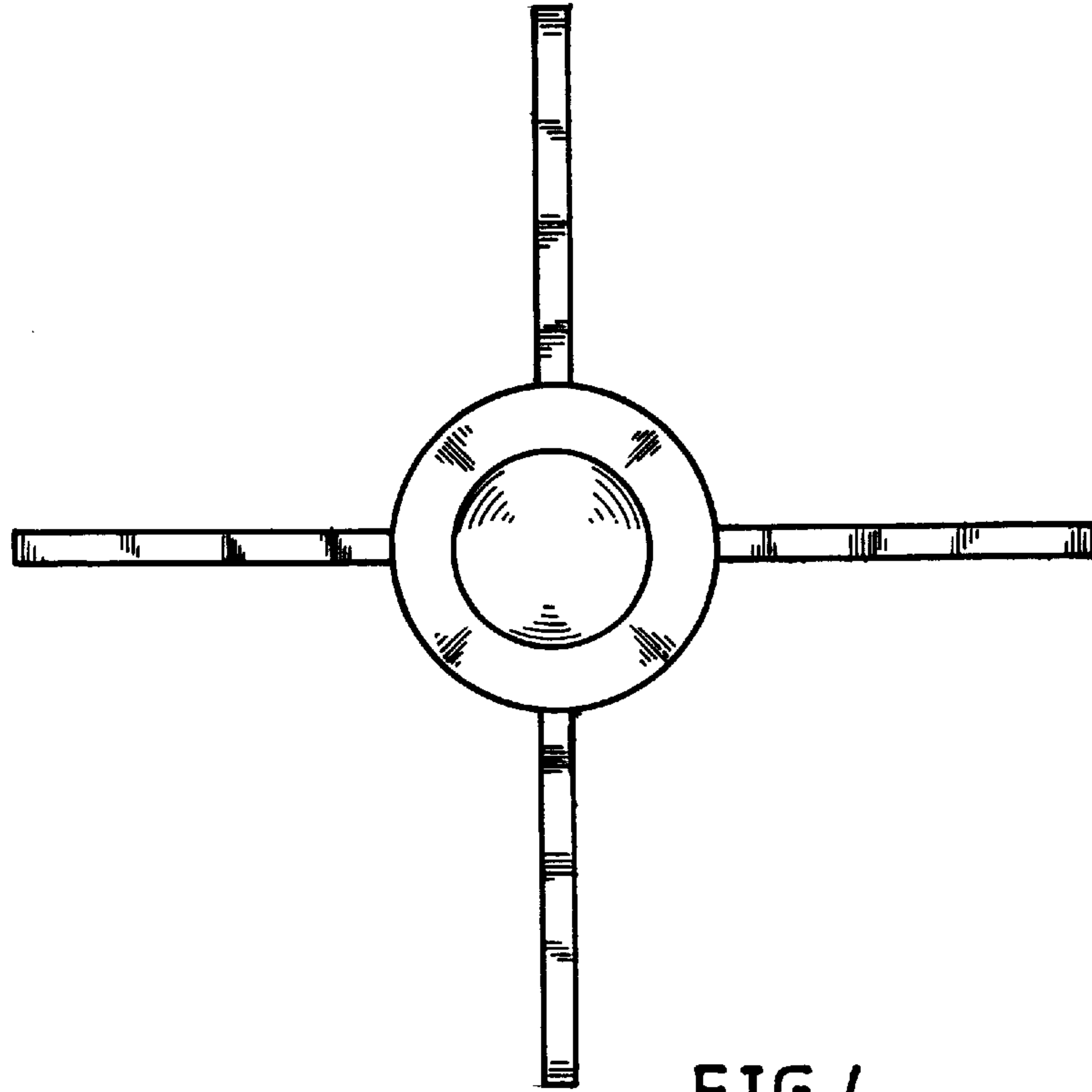


FIG. 4

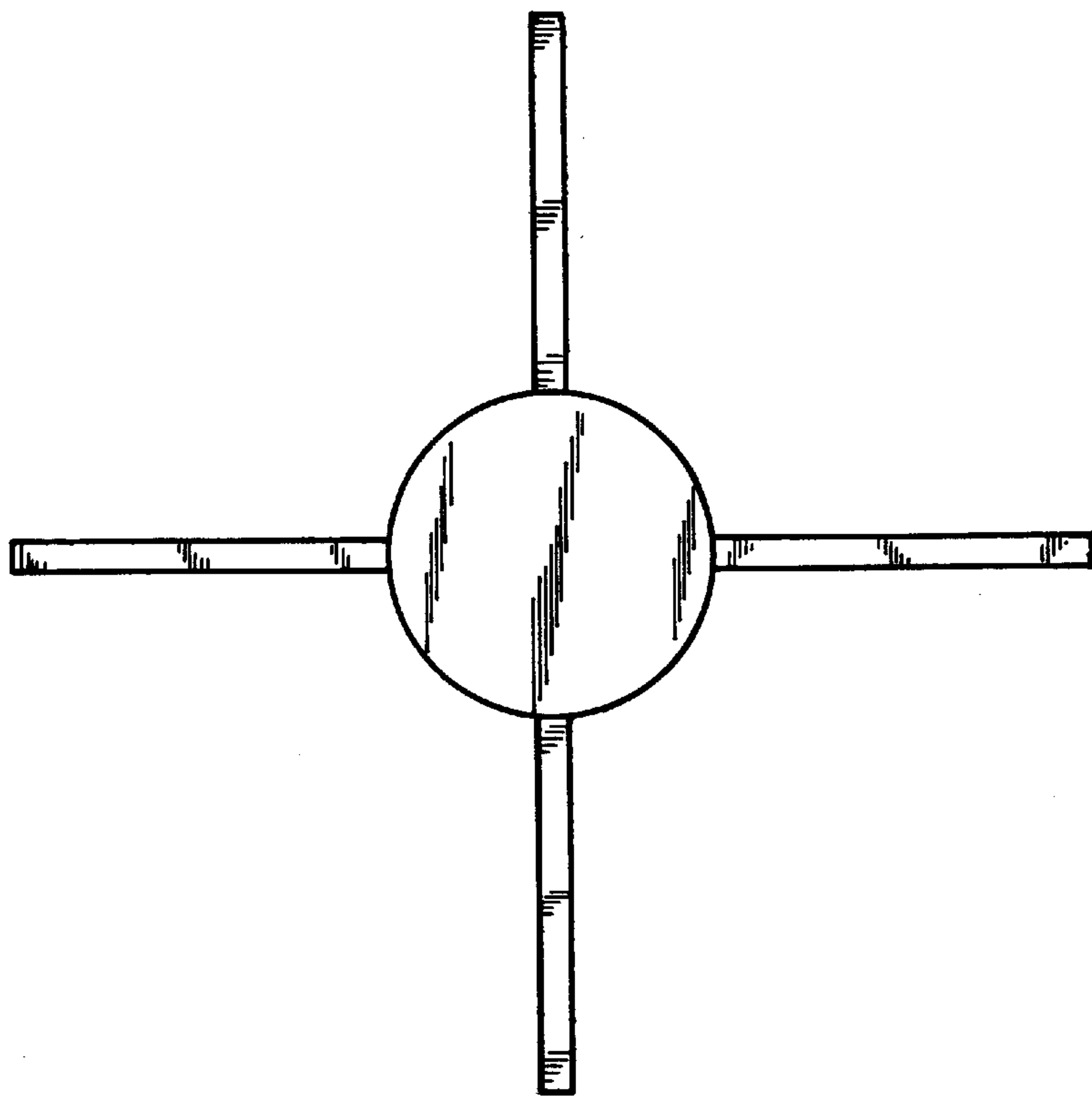


FIG. 5

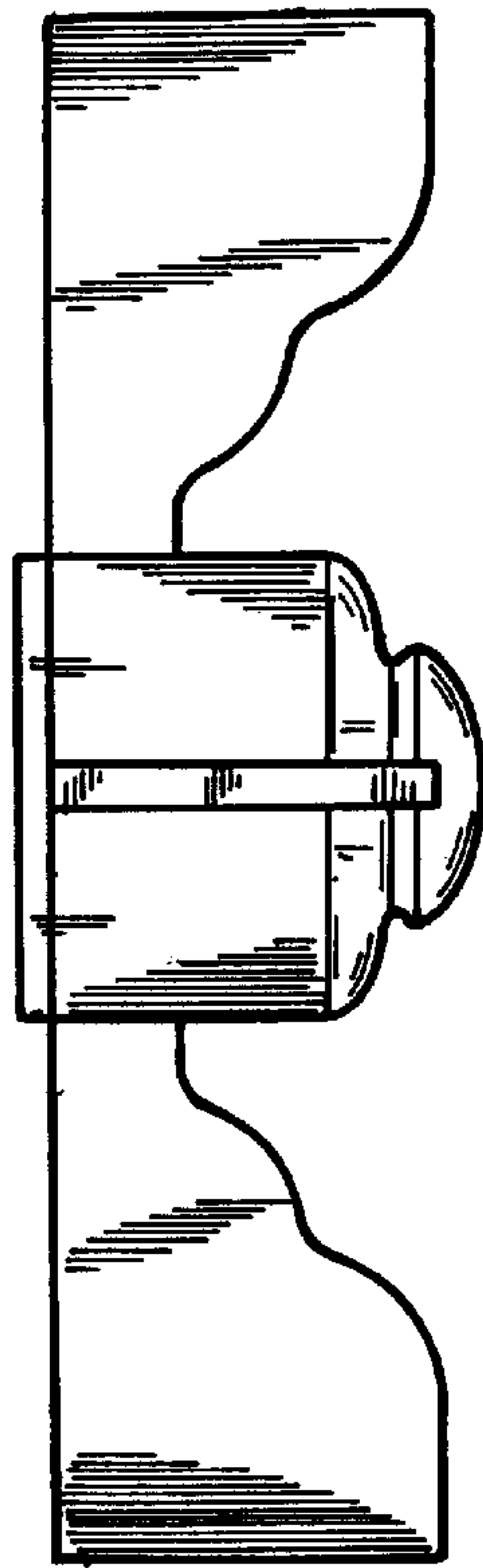


FIG. 6

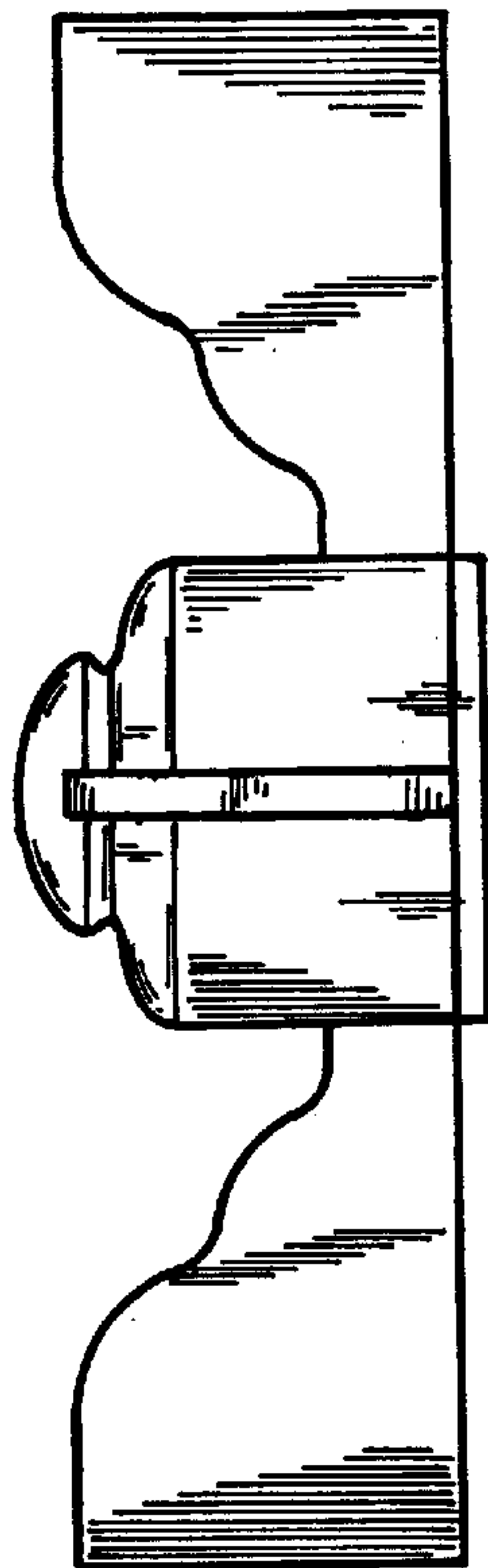


FIG. 7

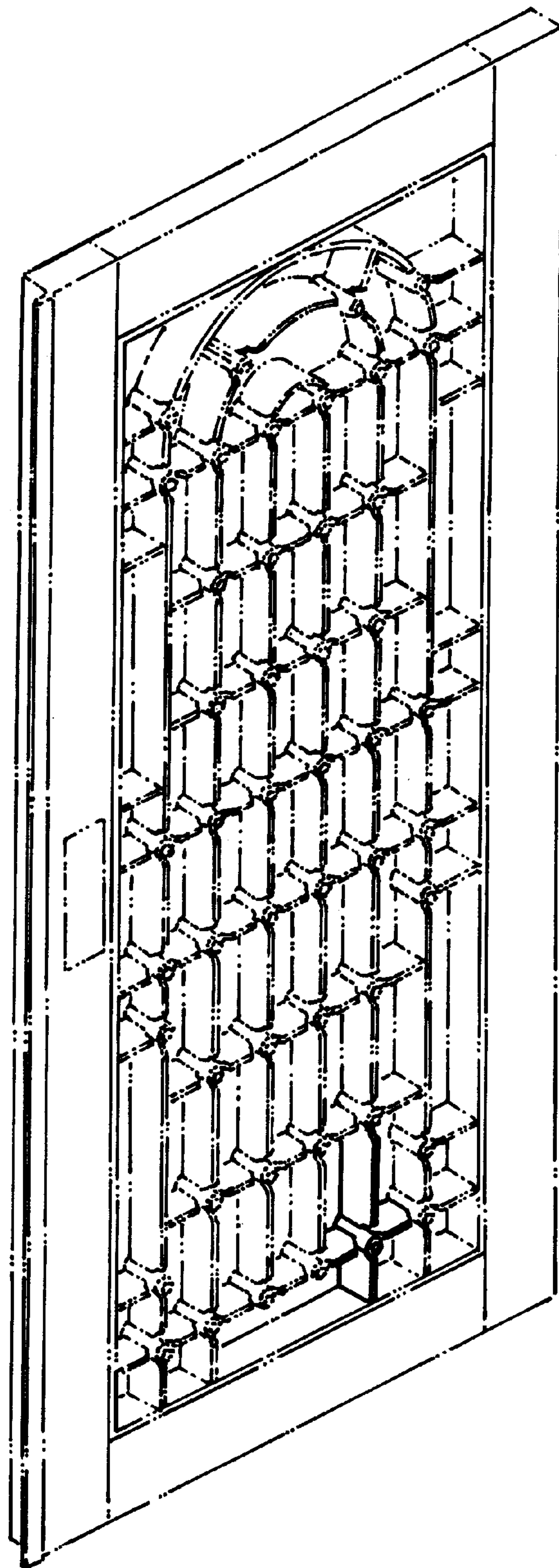


FIG. 8