



US00D412025S

United States Patent [19]

Mark et al.

[11] Patent Number: Des. 412,025

[45] Date of Patent: ** Jul. 13, 1999

[54] FAUCET

[75] Inventors: **Darren M. Mark**, Valencia; **Alvin Tolosa**, Ventura City, both of Calif.

[73] Assignee: **Emhart Inc.**, Newark, Del.

[**] Term: **14 Years**

[21] Appl. No.: **29/092,123**

[22] Filed: **Aug. 12, 1998**

Related U.S. Application Data

[51] **LOC (6) Cl.** **23-01**

[52] **U.S. Cl.** **D23/238**

[58] **Field of Search** D23/238-243,
D23/250-257; 4/675-678; 137/801

[56] References Cited

U.S. PATENT DOCUMENTS

- D. 281,096 10/1985 Arnold et al. .
- D. 285,106 8/1986 Yost .
- D. 314,040 1/1991 Heieck .
- D. 318,906 8/1991 Spangler .
- D. 331,276 11/1992 Knapp .

- D. 366,098 1/1996 Gottwald .
- D. 373,177 8/1996 Jans .
- D. 377,517 1/1997 Doughty et al. .
- D. 391,351 2/1998 Ko .

Primary Examiner—Louis S. Zarfes
Assistant Examiner—Eric Watterson
Attorney, Agent, or Firm—Harold Weinstein

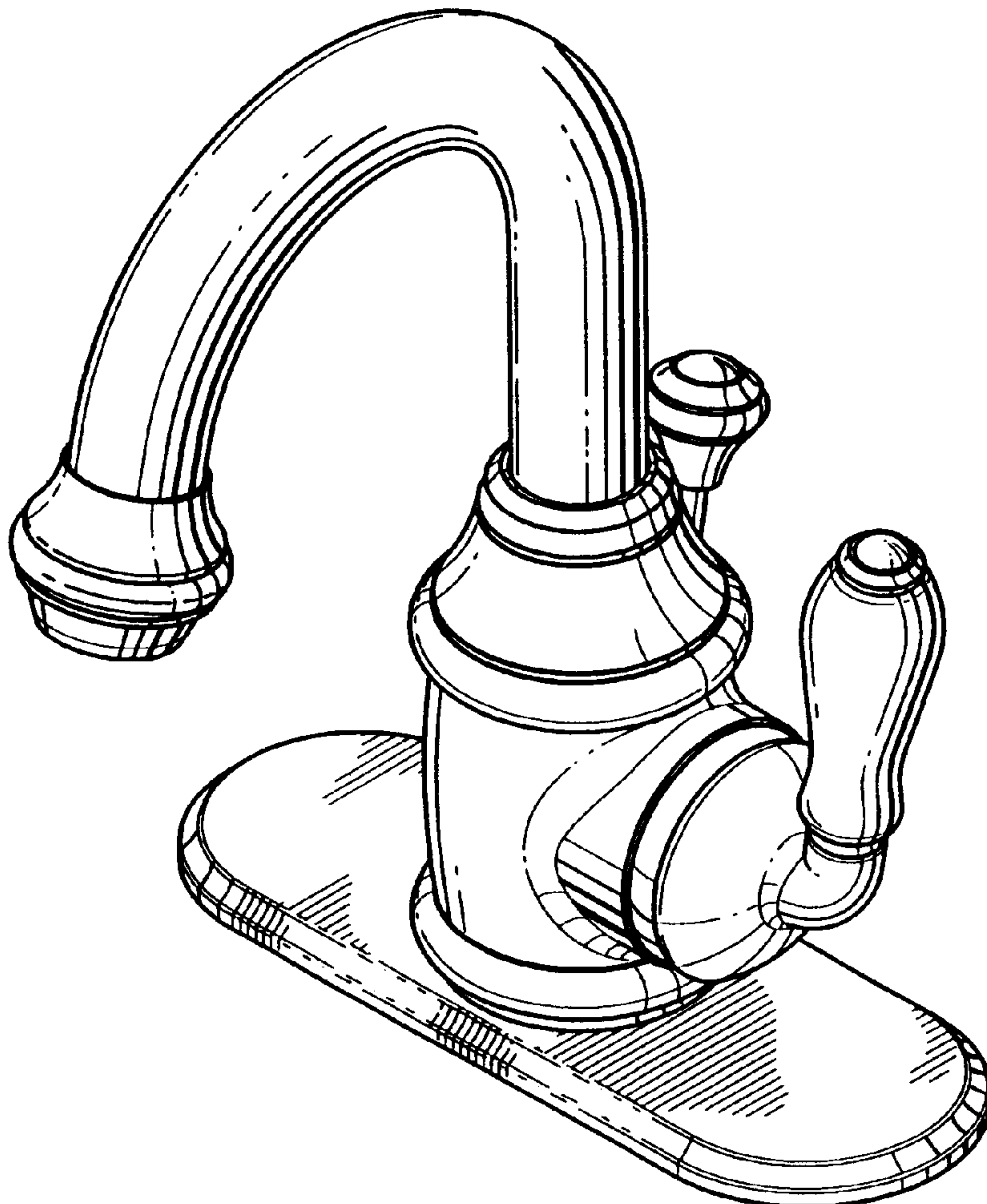
[57] CLAIM

The ornamental design for a faucet, as shown and described.

DESCRIPTION

FIG. 1 is a perspective view of our new design of a faucet;
 FIG. 2 is a right elevational view of our new design of the faucet;
 FIG. 3 is a left elevational view of our new design of the faucet;
 FIG. 4 is a front elevational view of our new design of the faucet;
 FIG. 5 is a rear elevational view of our new design of the faucet;
 FIG. 6 is a bottom plan view of our new design of the faucet;
 and,
 FIG. 7 is a top plan view of our new design of the faucet.

1 Claim, 4 Drawing Sheets



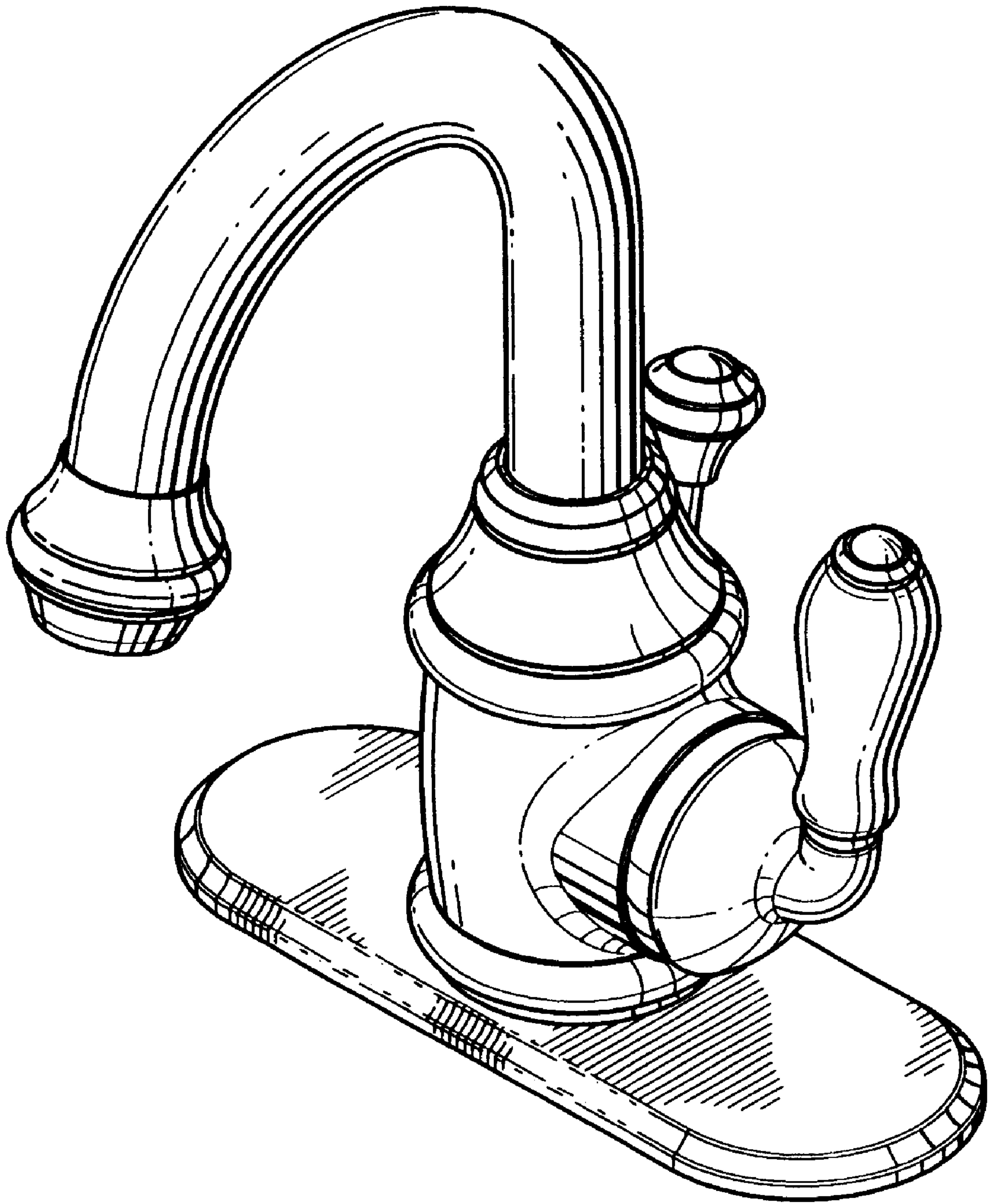


FIG. 1

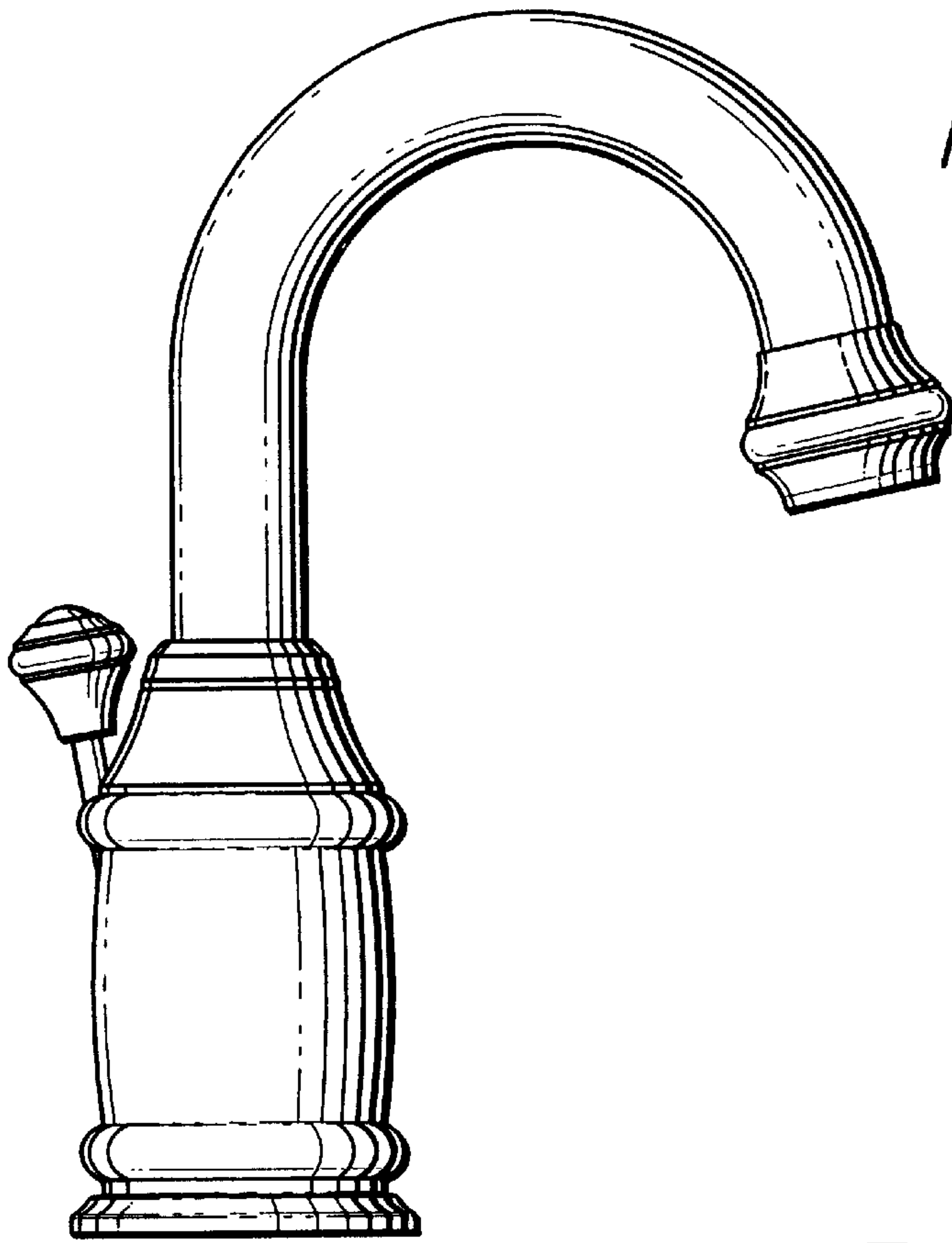


FIG. 2

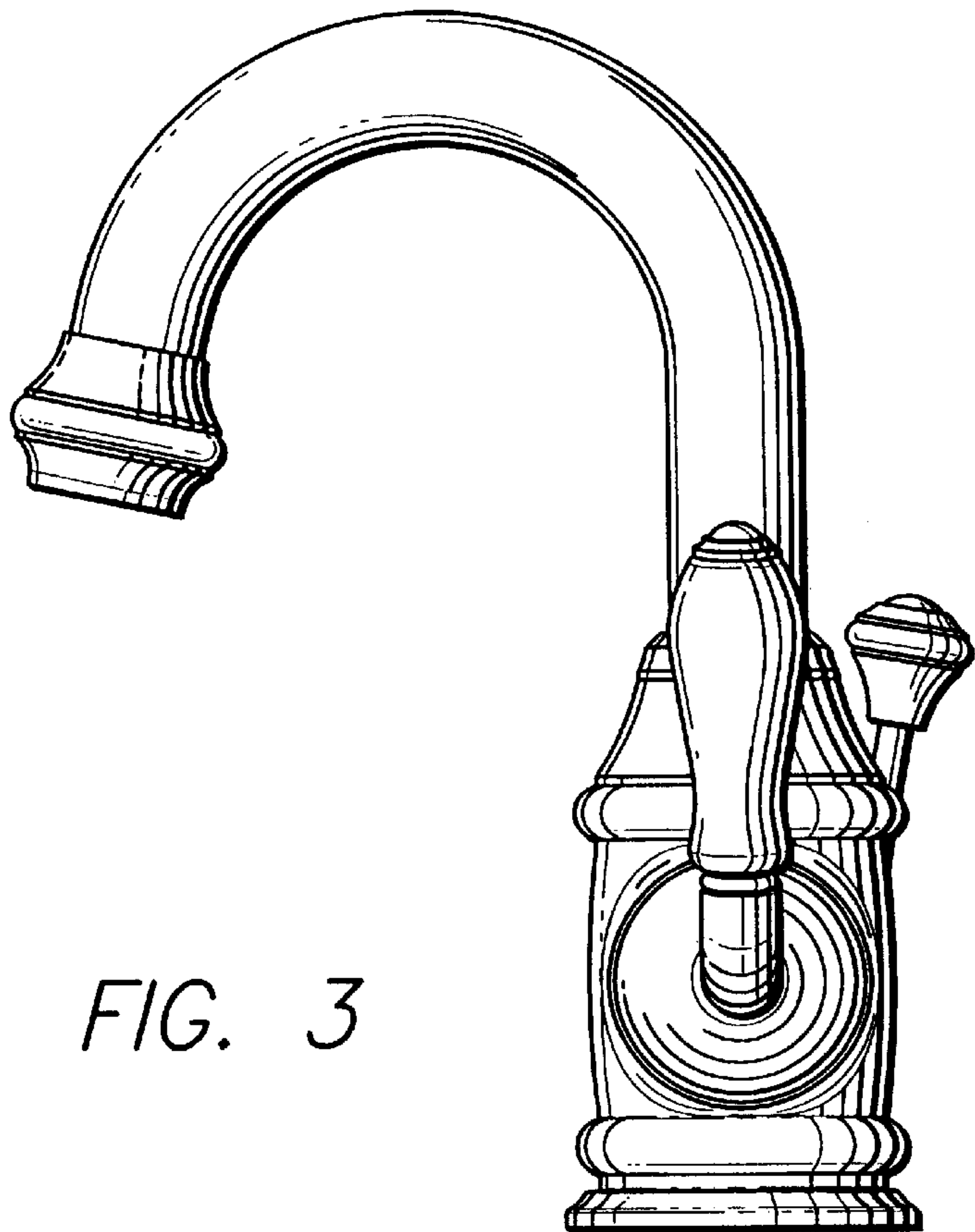


FIG. 3

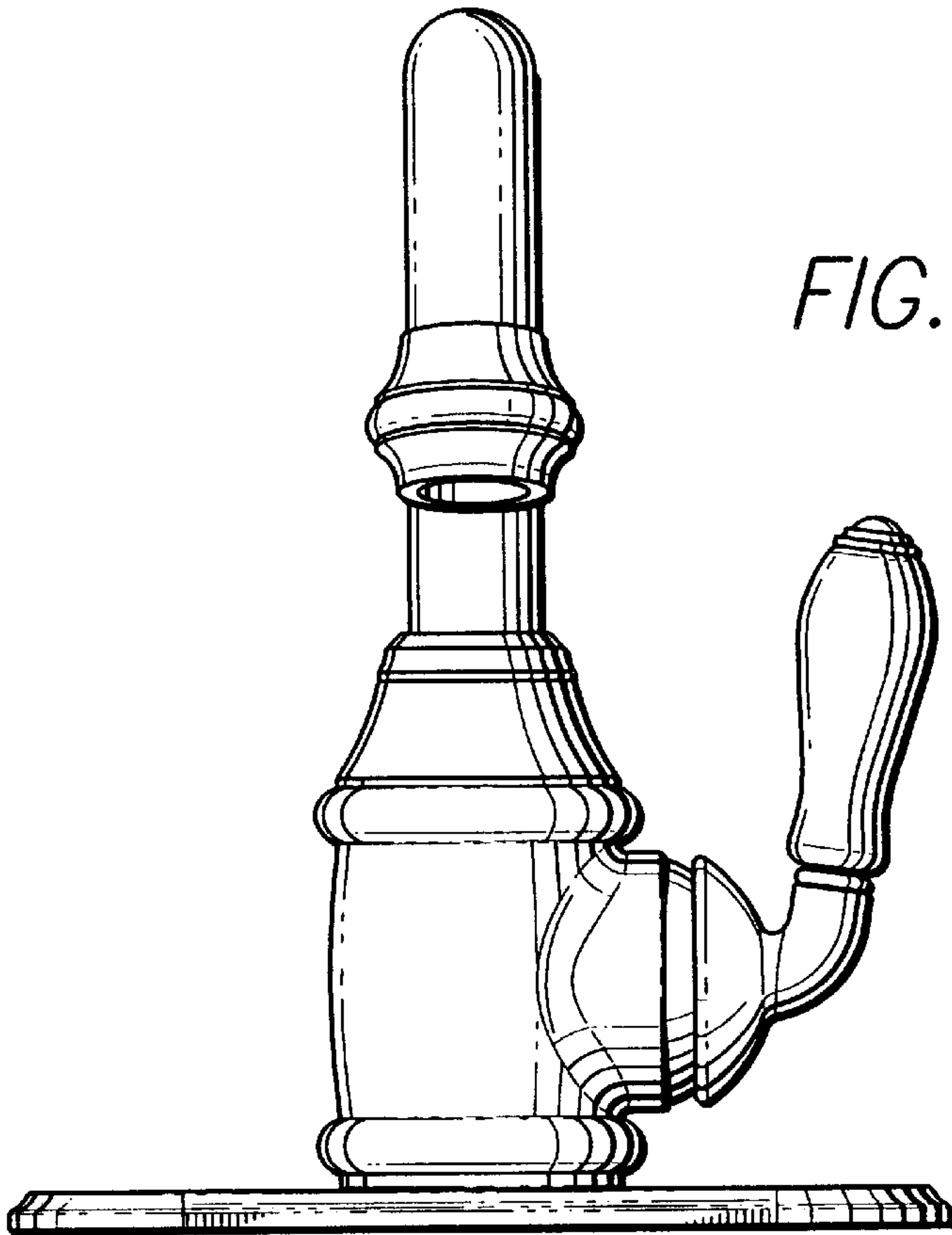
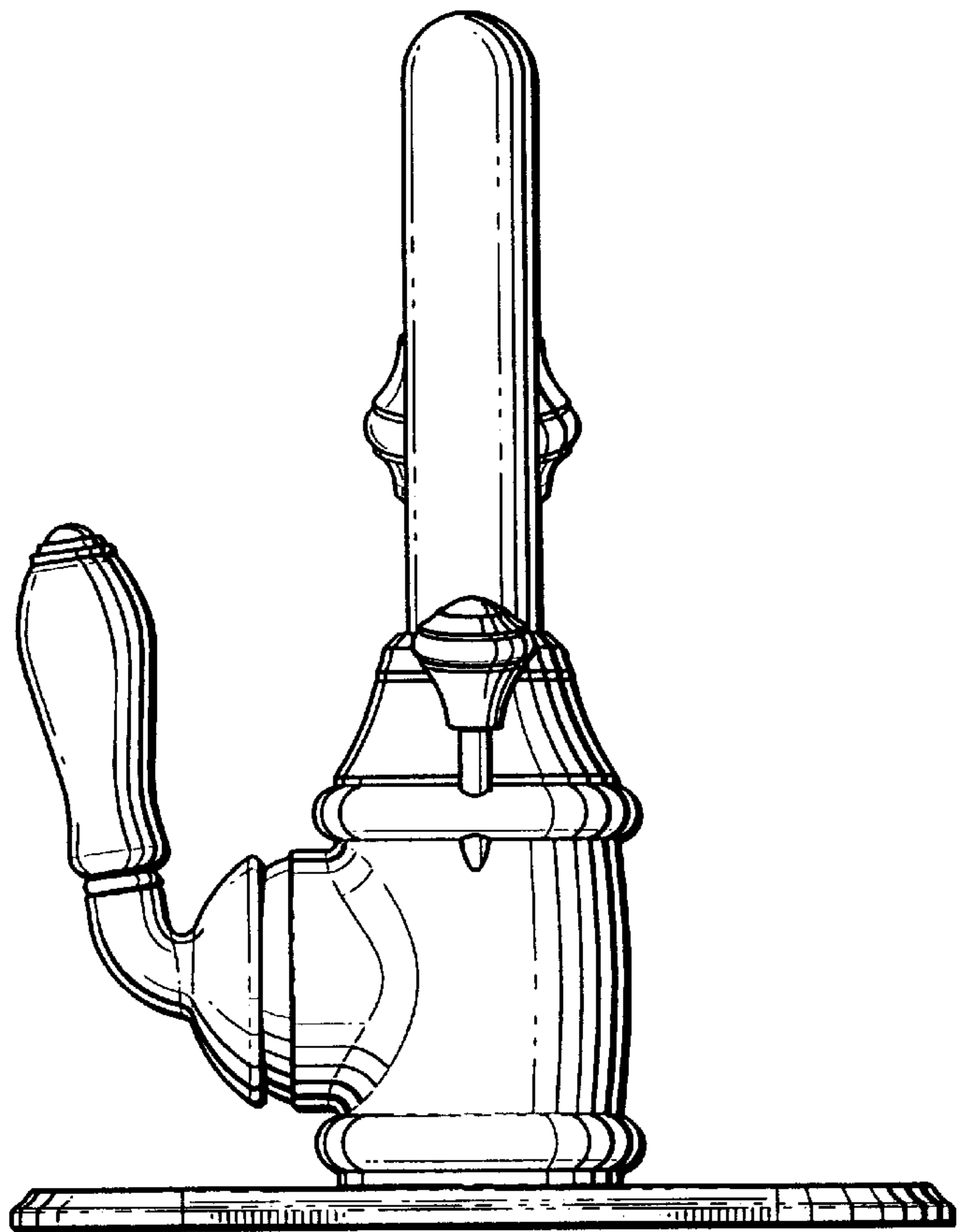


FIG. 4

FIG. 5



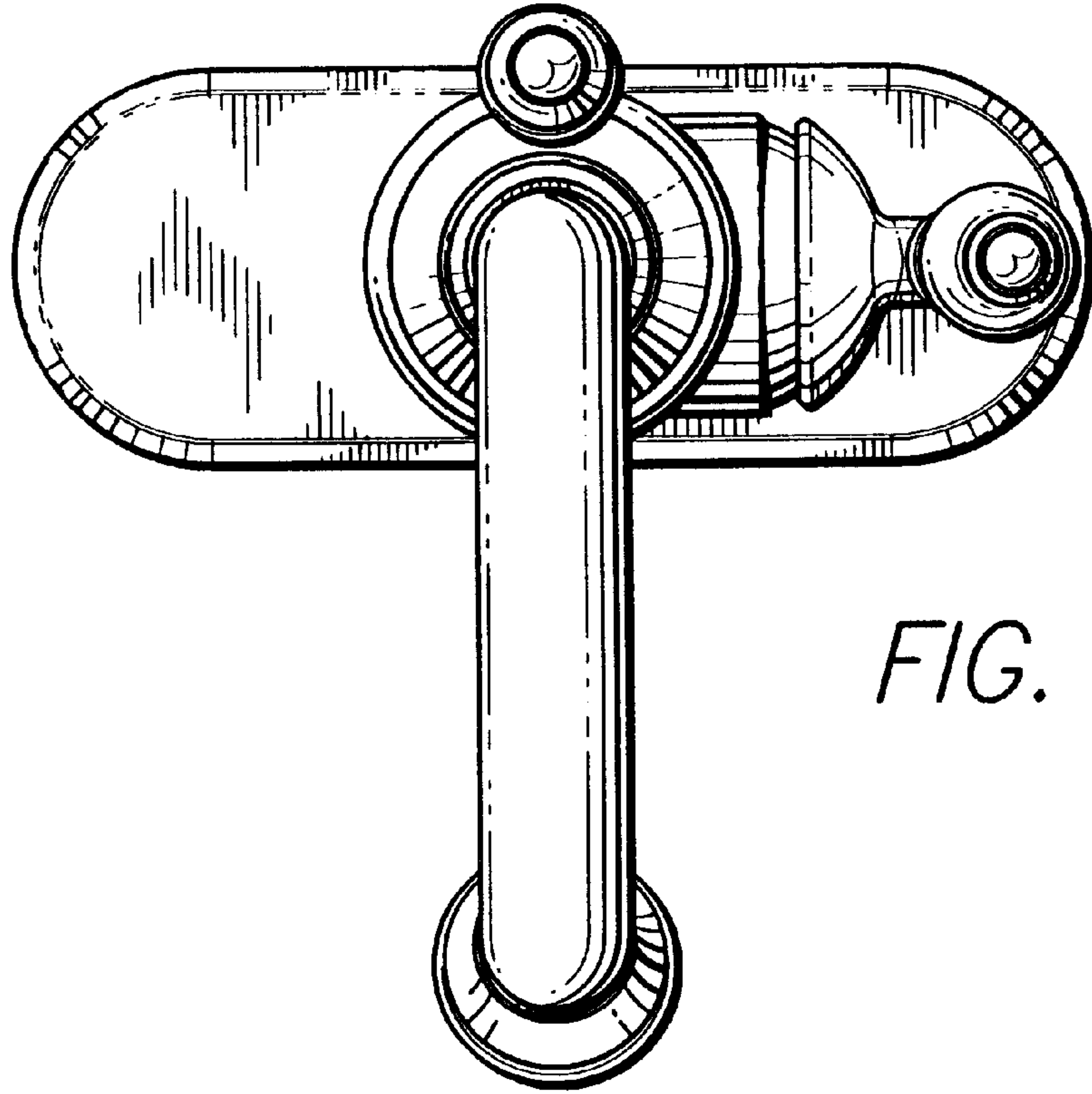


FIG. 6

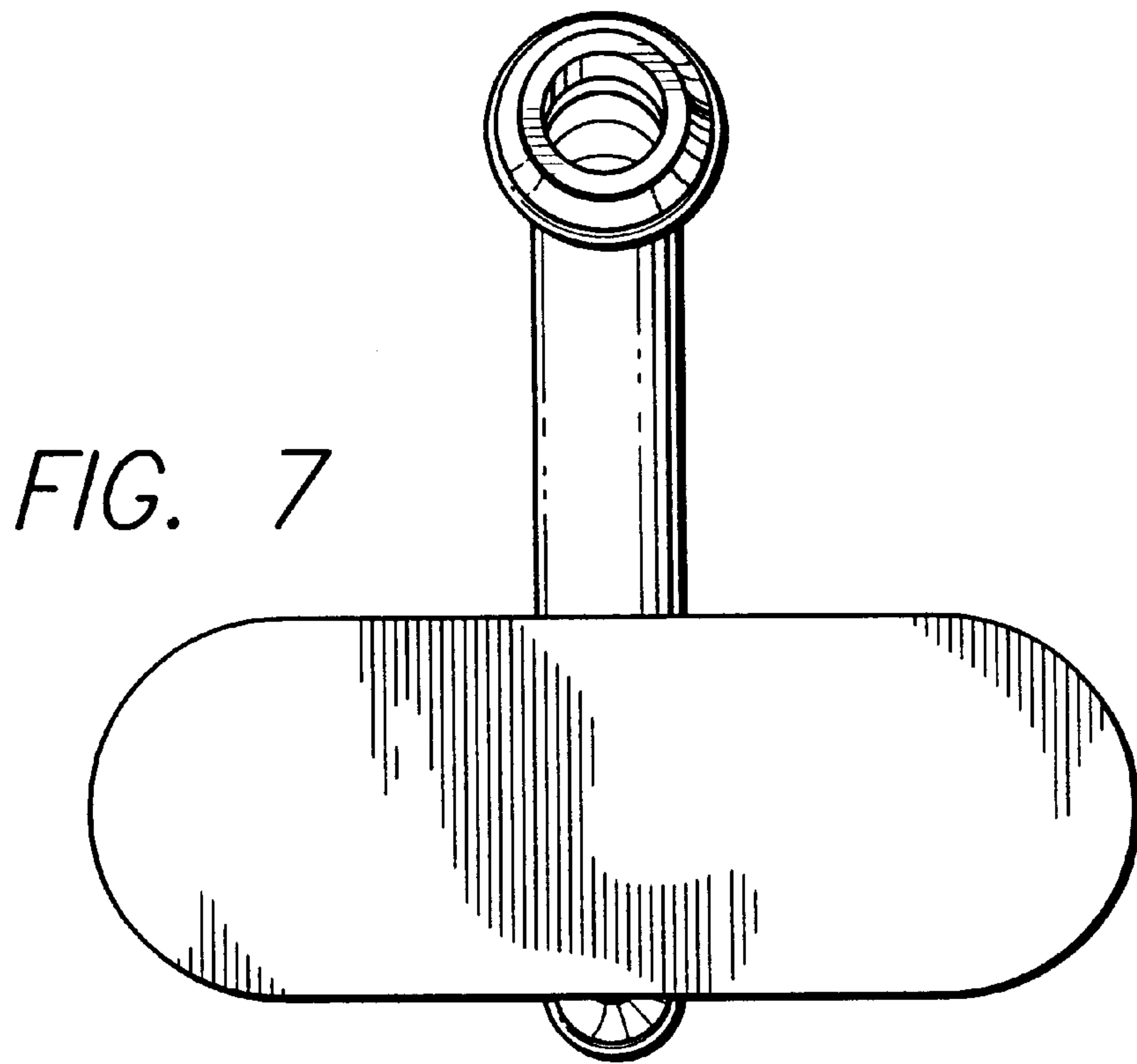


FIG. 7