



US00D412024S

United States Patent [19]
Lord

[11] **Patent Number: Des. 412,024**
[45] **Date of Patent: ** *Jul. 13, 1999**

[54] **SINGLE HANDLE FAUCET**

D. 368,956 4/1996 Haug et al. D23/238

[75] Inventor: **Judd A. Lord**, Carmel, Ind.

Primary Examiner—Louis S. Zarfes

Assistant Examiner—Eric Watterson

[73] Assignee: **Masco Corporation of Indiana**,
Indianapolis, Ind.

Attorney, Agent, or Firm—Myron B. Kapustij; Leon E. Redman

[*] Notice: This patent is subject to a terminal disclaimer.

[57] **CLAIM**

[**] Term: **14 Years**

The ornamental design for a single handle faucet, as shown and described.

[21] Appl. No.: **29/083,031**

DESCRIPTION

[22] Filed: **Jan. 30, 1998**

FIG. 1 is a front perspective view of a single handle faucet showing my new design;

[51] **LOC (6) Cl.** **23-01**

FIG. 2 is a rear perspective view thereof;

[52] **U.S. Cl.** **D23/238**

FIG. 3 is a top plan view thereof;

[58] **Field of Search** D23/238-243,
D23/250-257; 4/675-678; 137/801

FIG. 4 is a front elevational view thereof;

FIG. 5 is a right side elevational view thereof, the left side being a mirror image;

[56] **References Cited**

U.S. PATENT DOCUMENTS

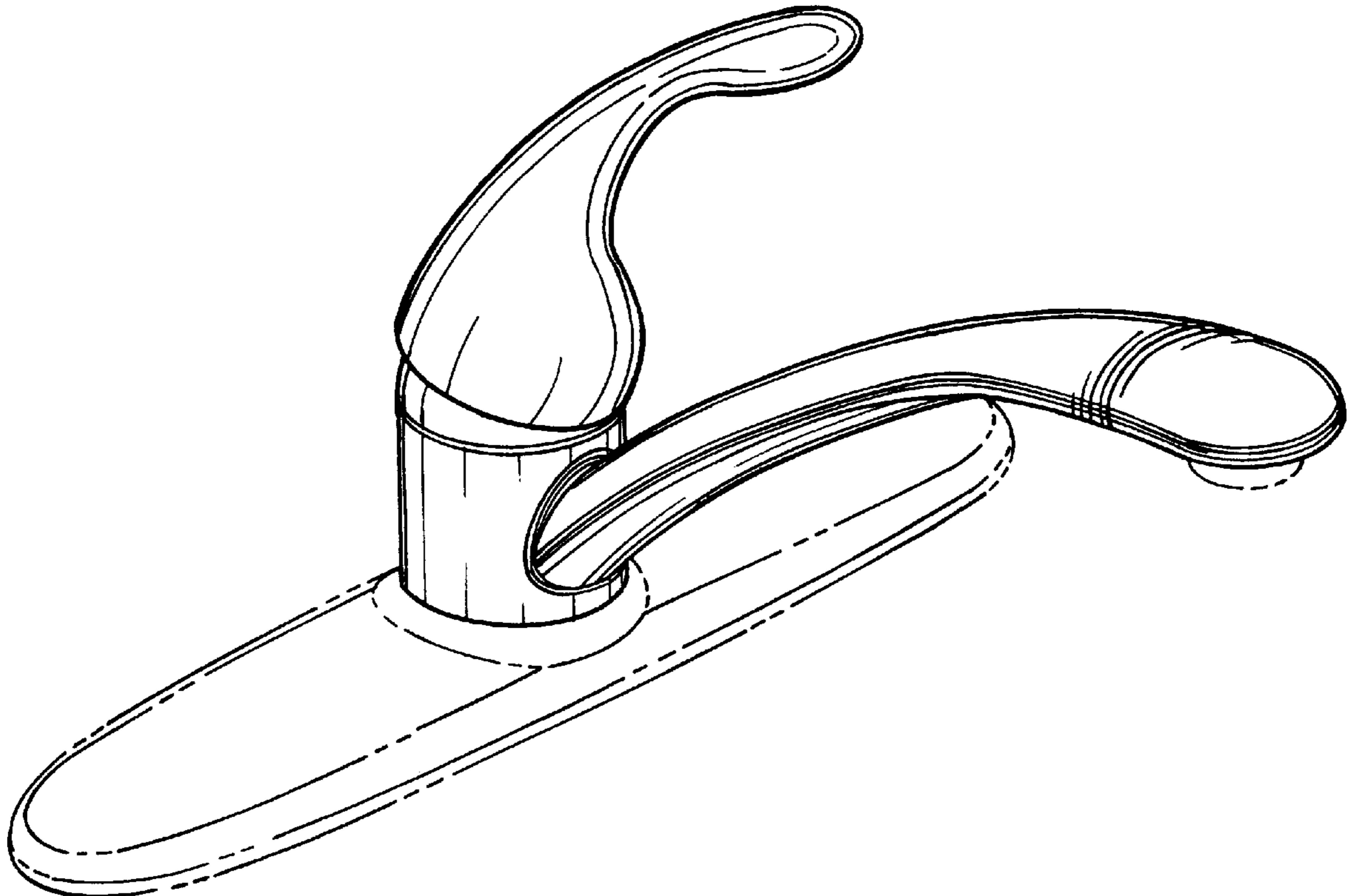
D. 213,874	4/1969	Landell	D23/238
D. 219,779	1/1971	Tiller	D23/238
D. 367,917	3/1996	Haug et al.	D23/238
D. 367,918	3/1996	Haug et al.	D23/238

FIG. 6 is a rear elevational view thereof; and,

FIG. 7 is a bottom plan view thereof.

The broken line Showings of the aerator in FIGS. 1-2, 4-5 and 7, and of the escutcheon in FIGS. 1-6 are for purposes of illustration only and form no part of the claimed design.

1 Claim, 4 Drawing Sheets



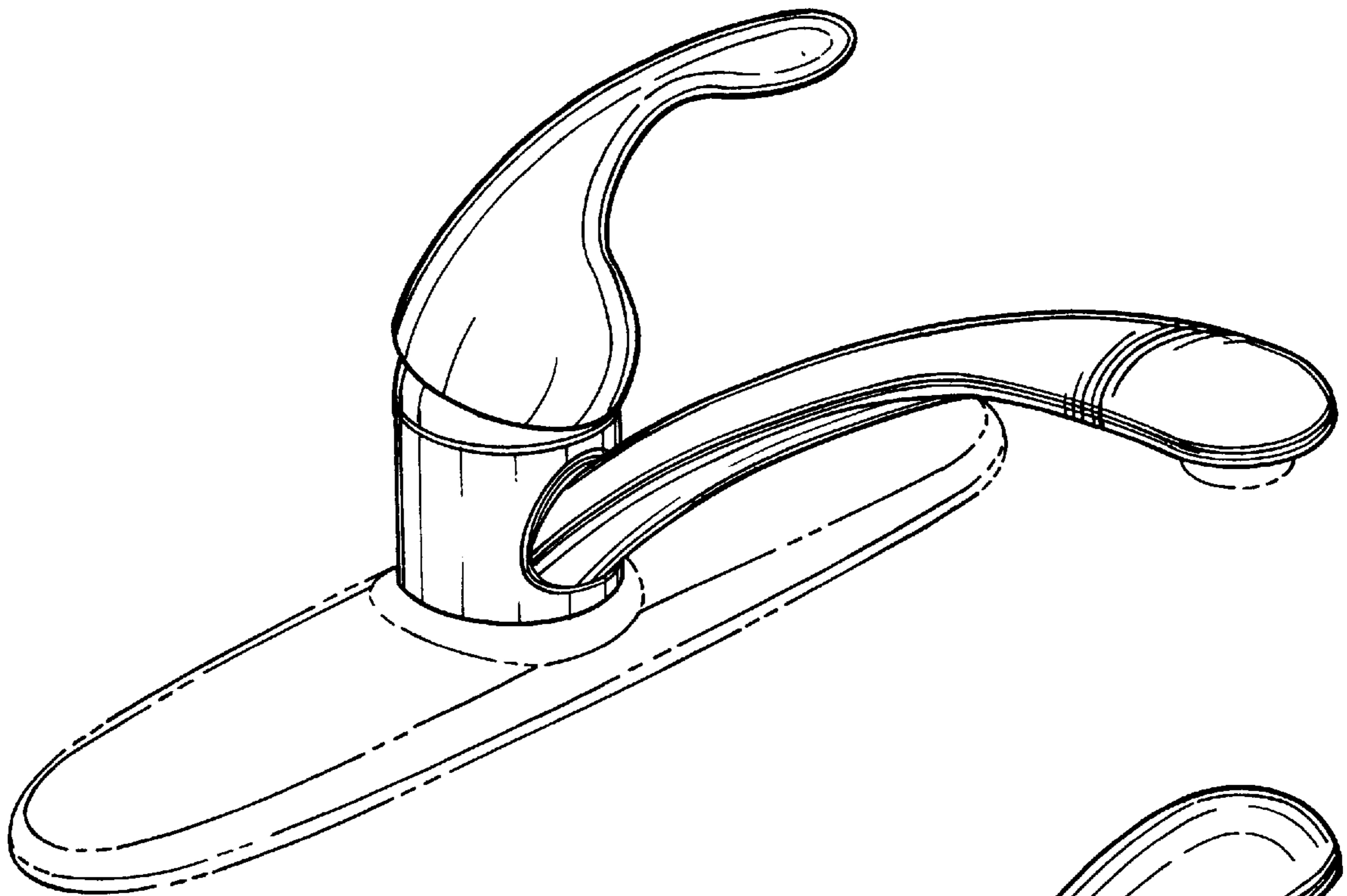


Fig-1

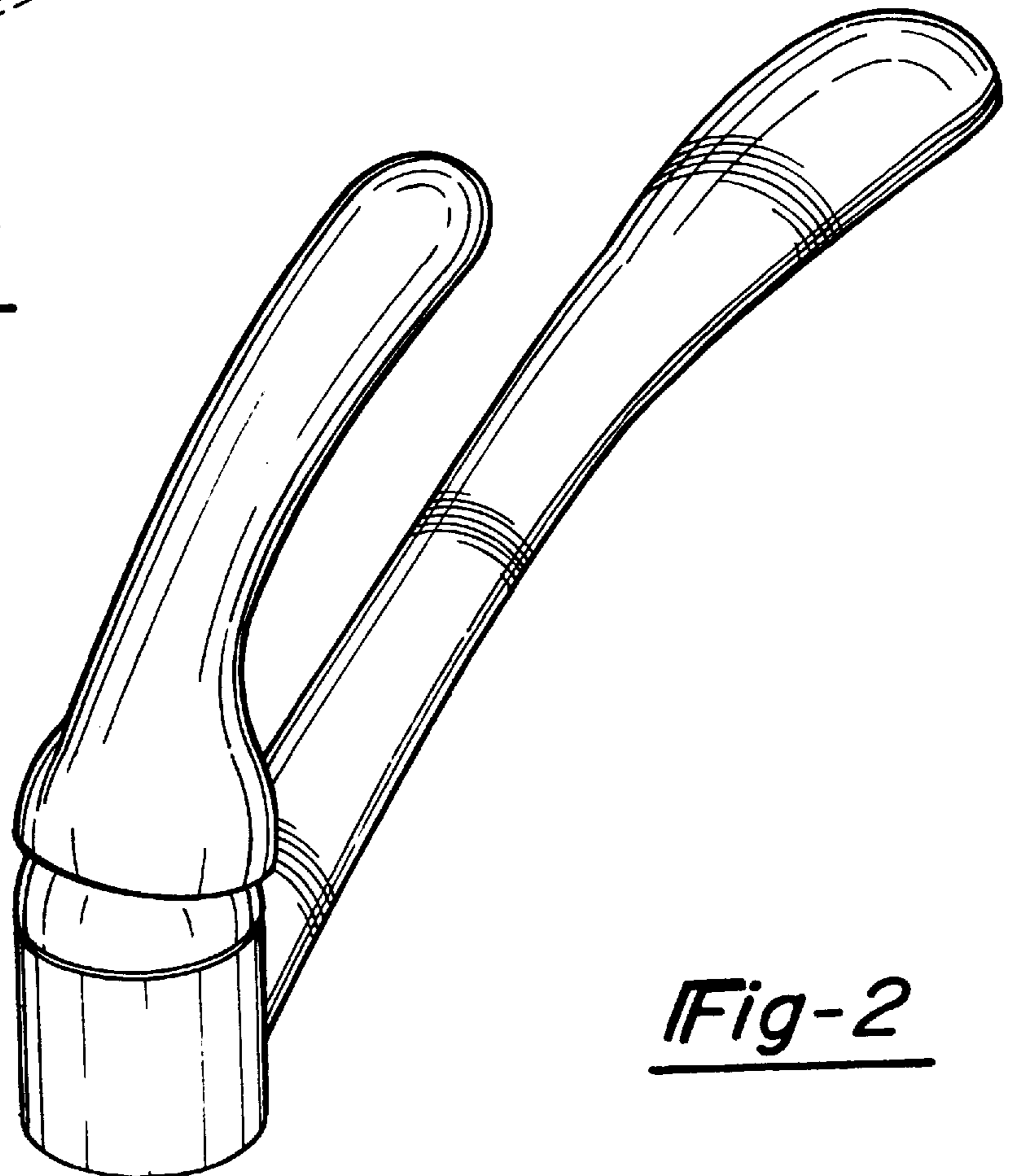


Fig-2

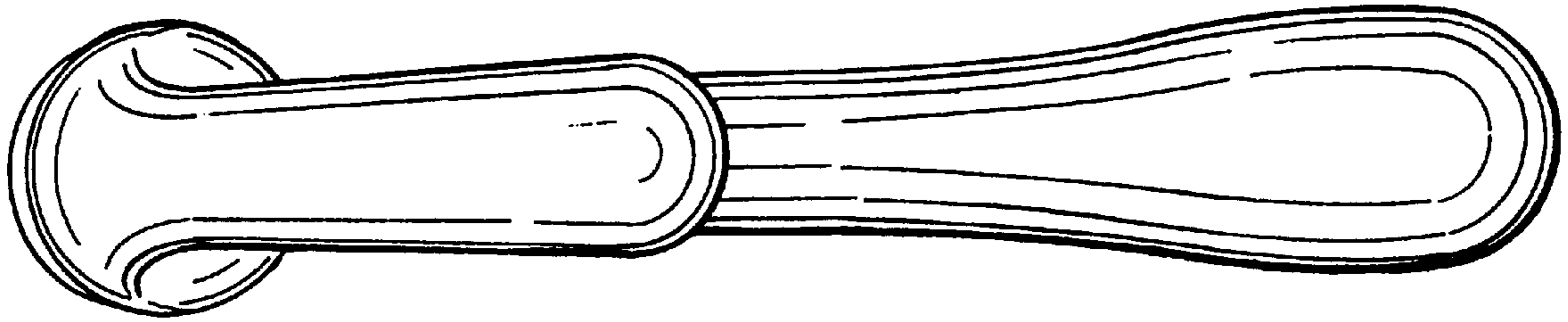


Fig-3

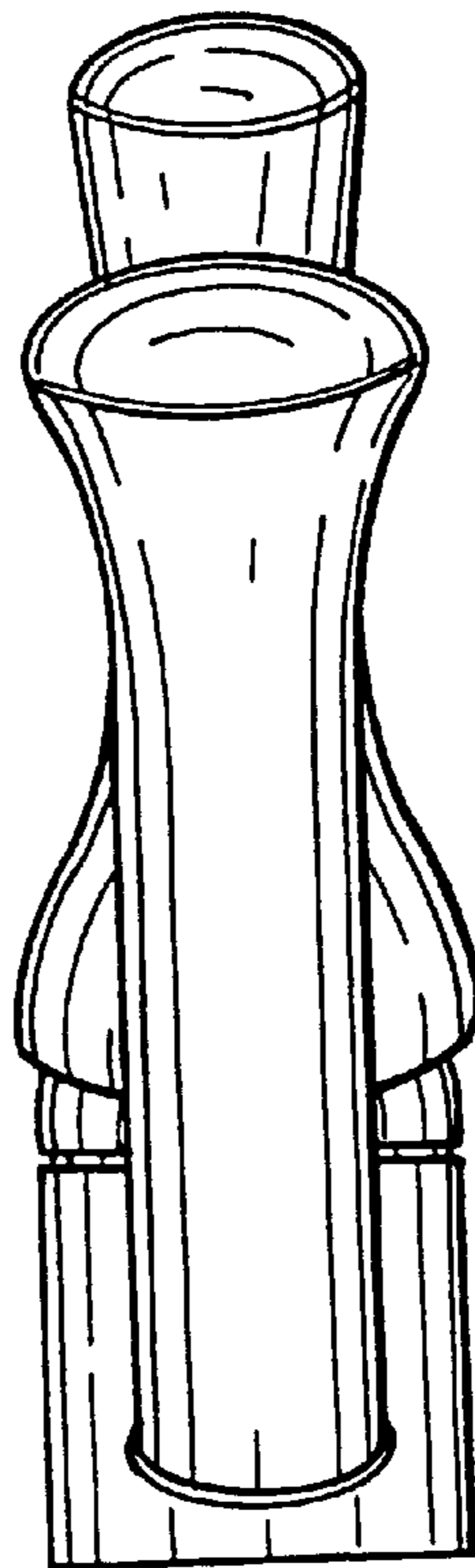


Fig-4

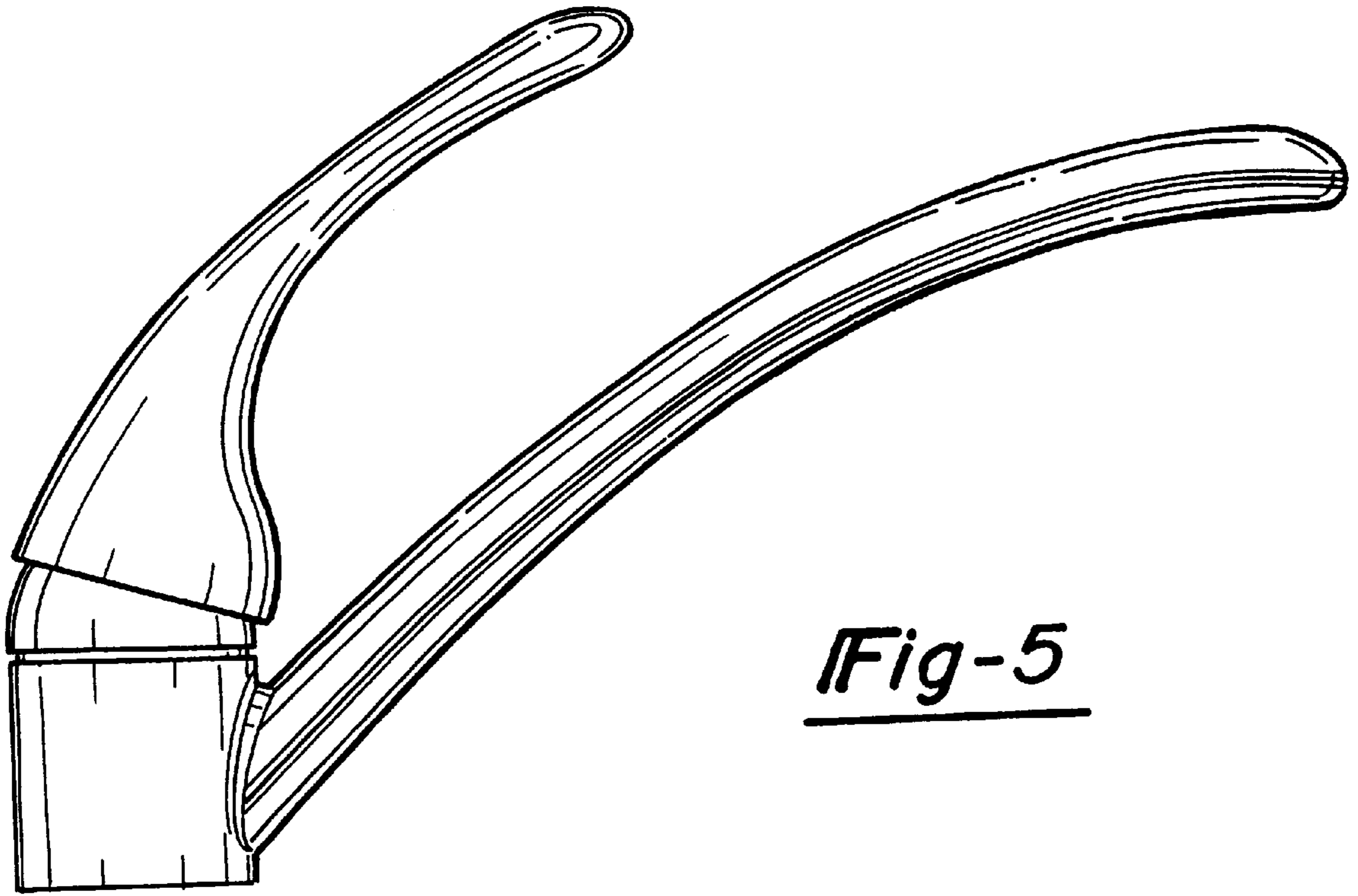


Fig-5

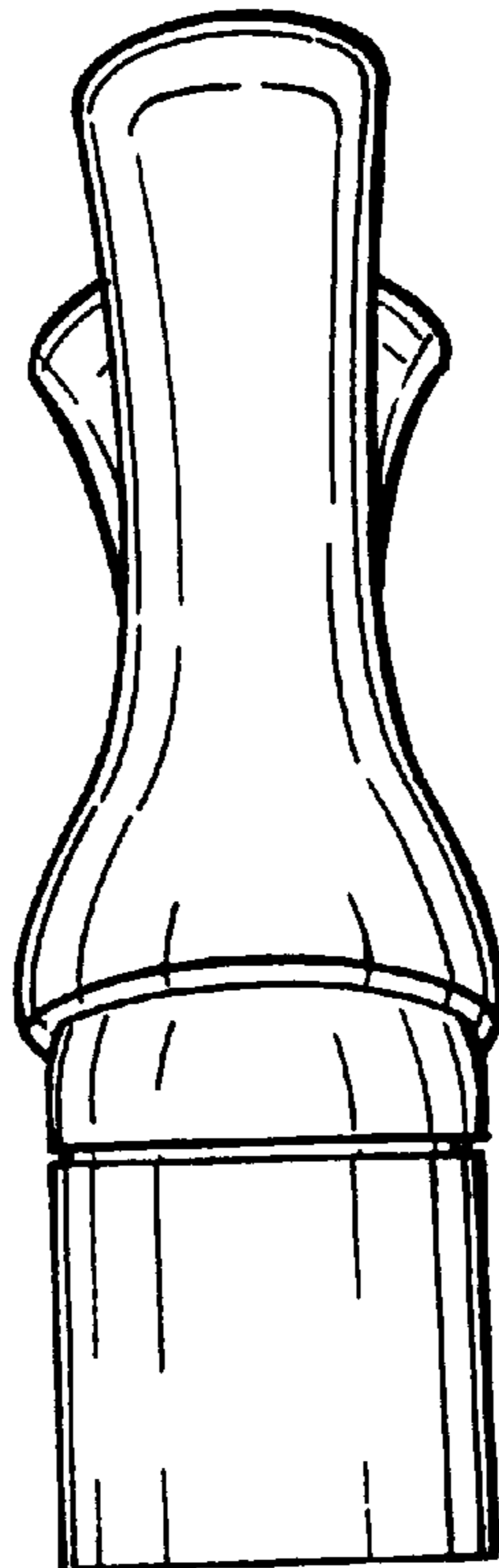


Fig-6

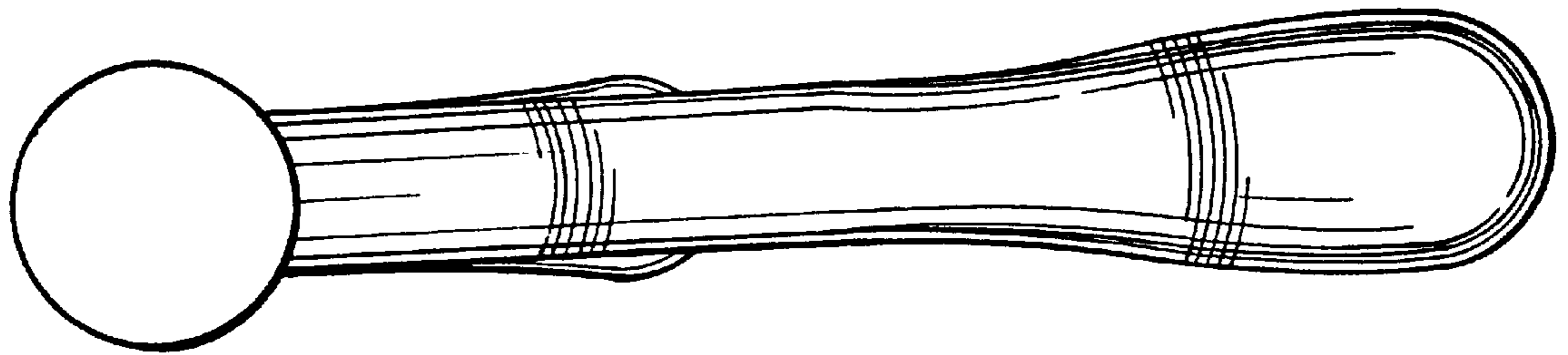


Fig-7