



US00D412023S

United States Patent [19] Shields

[11] **Patent Number: Des. 412,023**

[45] **Date of Patent: ** Jul. 13, 1999**

[54] **FLY FISHING REEL**

OTHER PUBLICATIONS

[76] Inventor: **Lorvel J. Shields**, 2140 Shore Dr., Anchorage, Ak. 99515

Hardware Age, p. 15, Johnson Magnetic Fly Reel (middle right side of page), Jan. 28, 1960.

[**] Term: **14 Years**

Hardware Age, p. 67, Ablette No. 373 and Ablette No. 377, Feb. 26, 1959.

[21] Appl. No.: **29/083,230**

Primary Examiner—Louis S. Zarfaz
Assistant Examiner—Inga-Maria Hyttinen
Attorney, Agent, or Firm—Michael J. Tavella

[22] Filed: **Feb. 5, 1998**

Related U.S. Application Data

[57] **CLAIM**

[51] **LOC (6) Cl.** **22-05**

The ornamental design for a fly fishing reel, as shown and described.

[52] **U.S. Cl.** **D22/137**

[58] **Field of Search** D22/137, 140, D22/141, 138; 242/118.3, 118.4, 118.6, 118.7, 129.5, 129.7, 311, 322, 613.1, 613.2; D21/445, 455, 460, 461, 463

DESCRIPTION

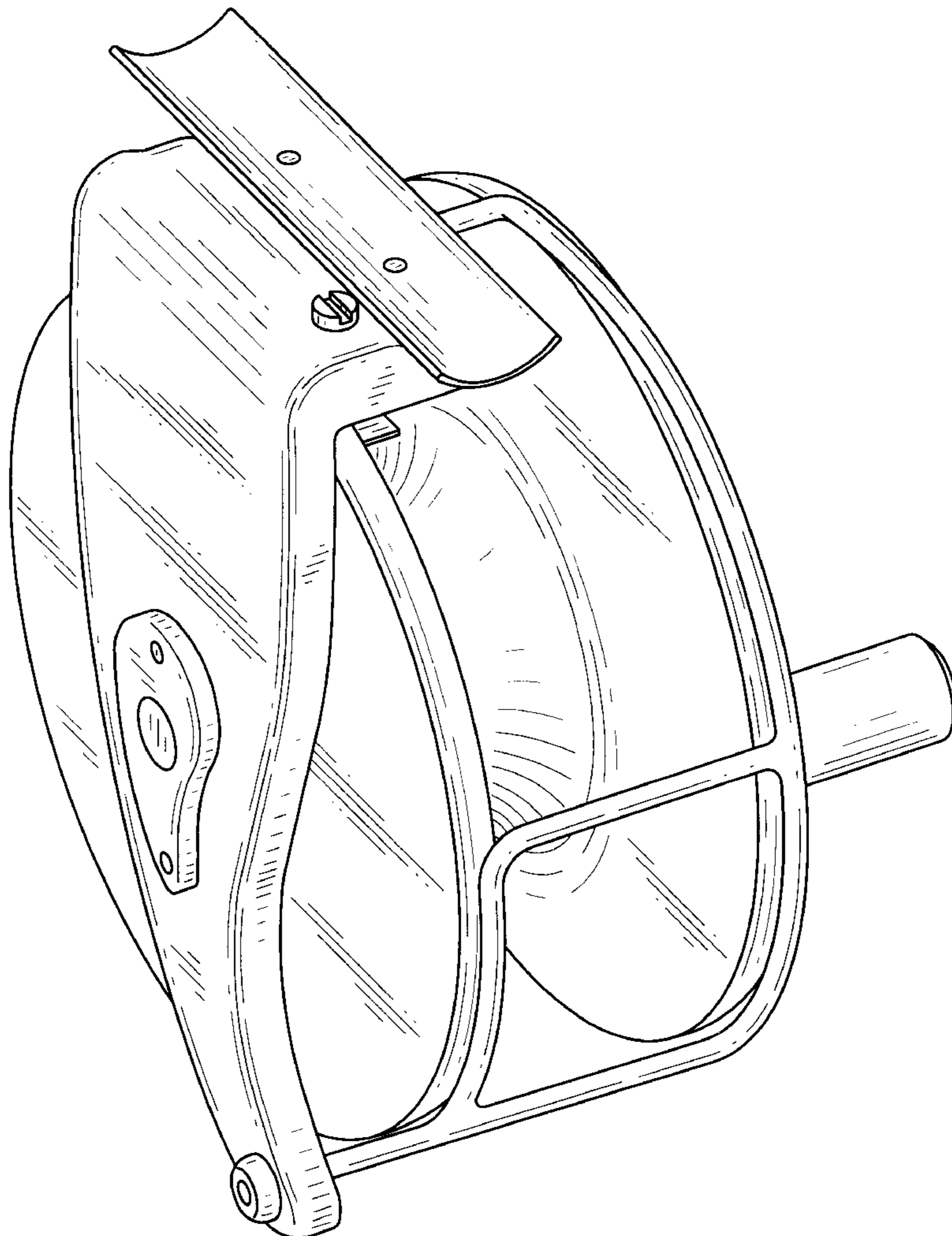
[56] **References Cited**

FIG. 1 is a perspective view of my fly fishing reel design.
FIG. 2 is a left side elevation view thereof.
FIG. 3 is a top plan view thereof.
FIG. 4 is a right side elevation thereof.
FIG. 5 is a bottom plan view thereof.
FIG. 6 is a front elevation view thereof; and,
FIG. 7 is a rear elevation view thereof.

U.S. PATENT DOCUMENTS

D. 115,841	12/1939	Young et al.	D22/140
D. 260,029	7/1981	Gehrke	D22/140
D. 353,643	12/1994	Shiple	D22/137
1,612,178	12/1926	Catucci	242/322

1 Claim, 4 Drawing Sheets



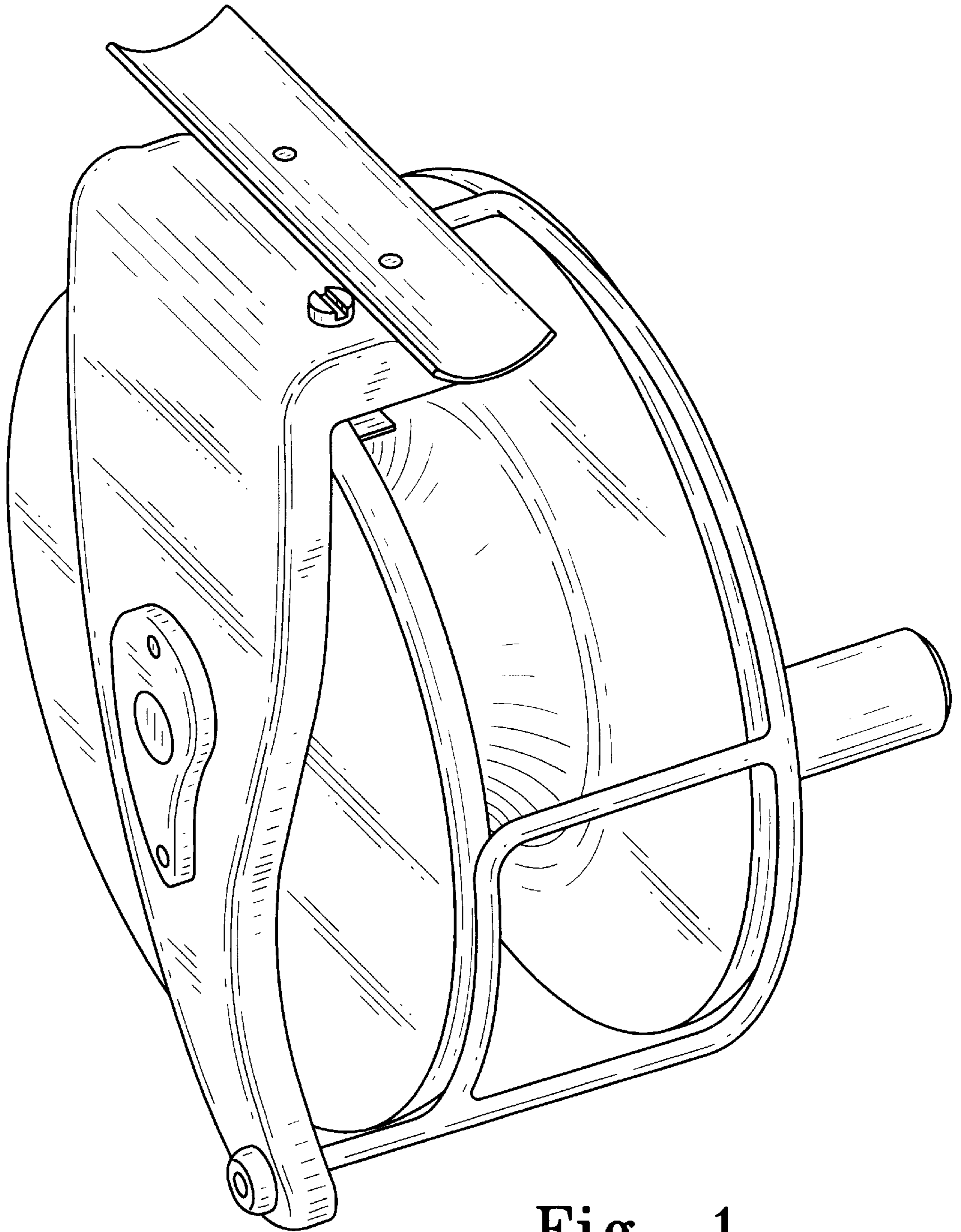


Fig. 1

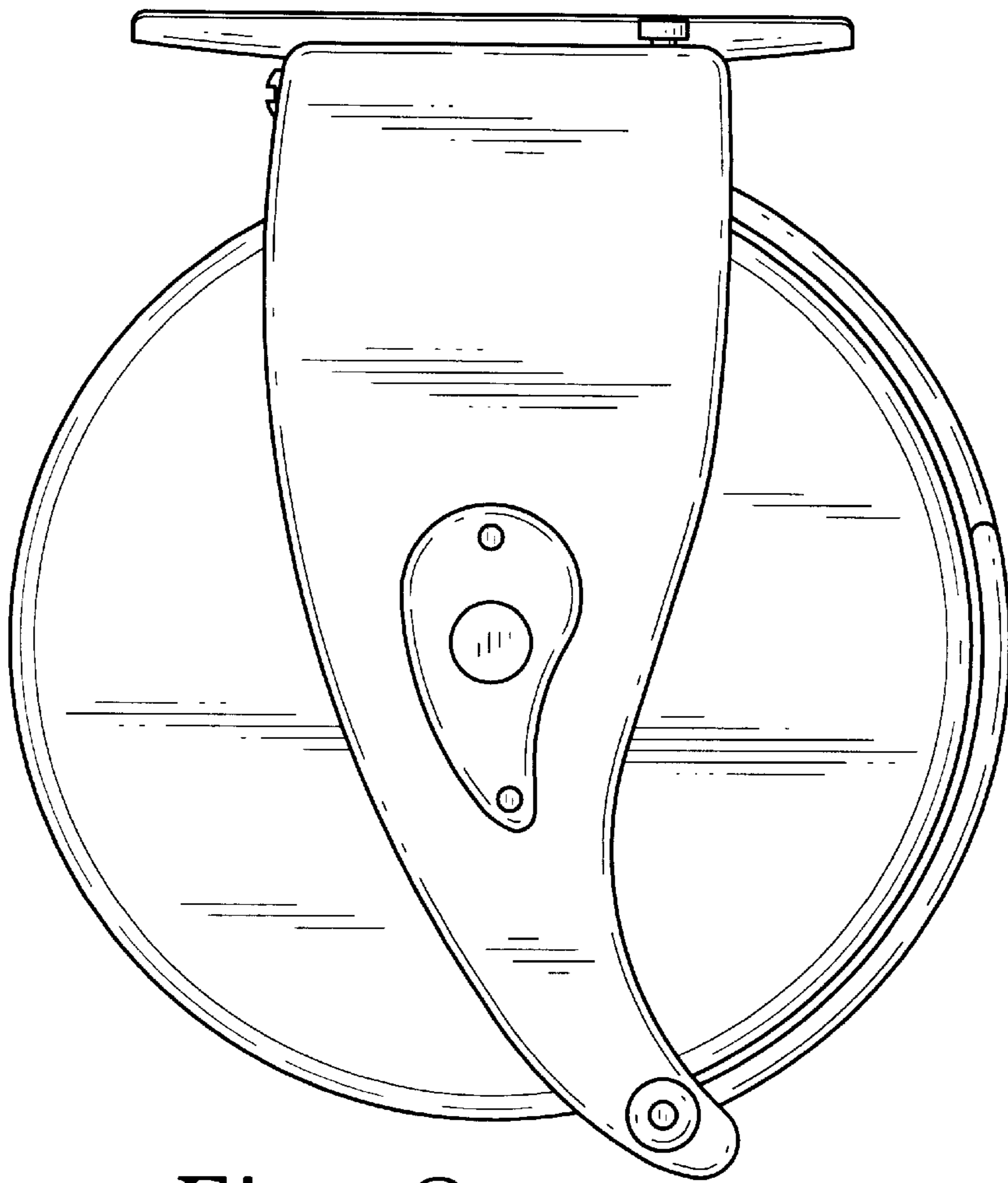


Fig. 2

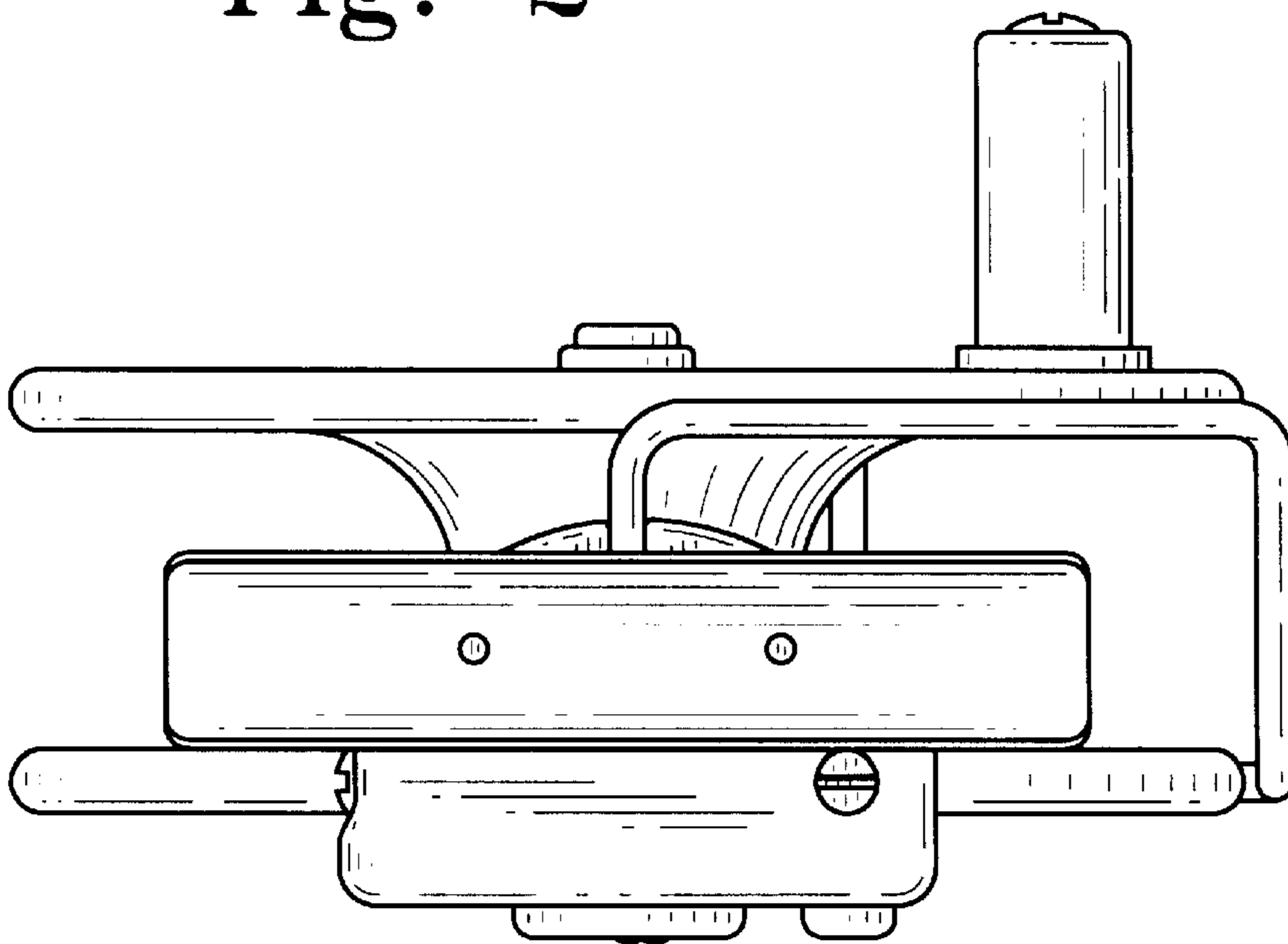


Fig. 3

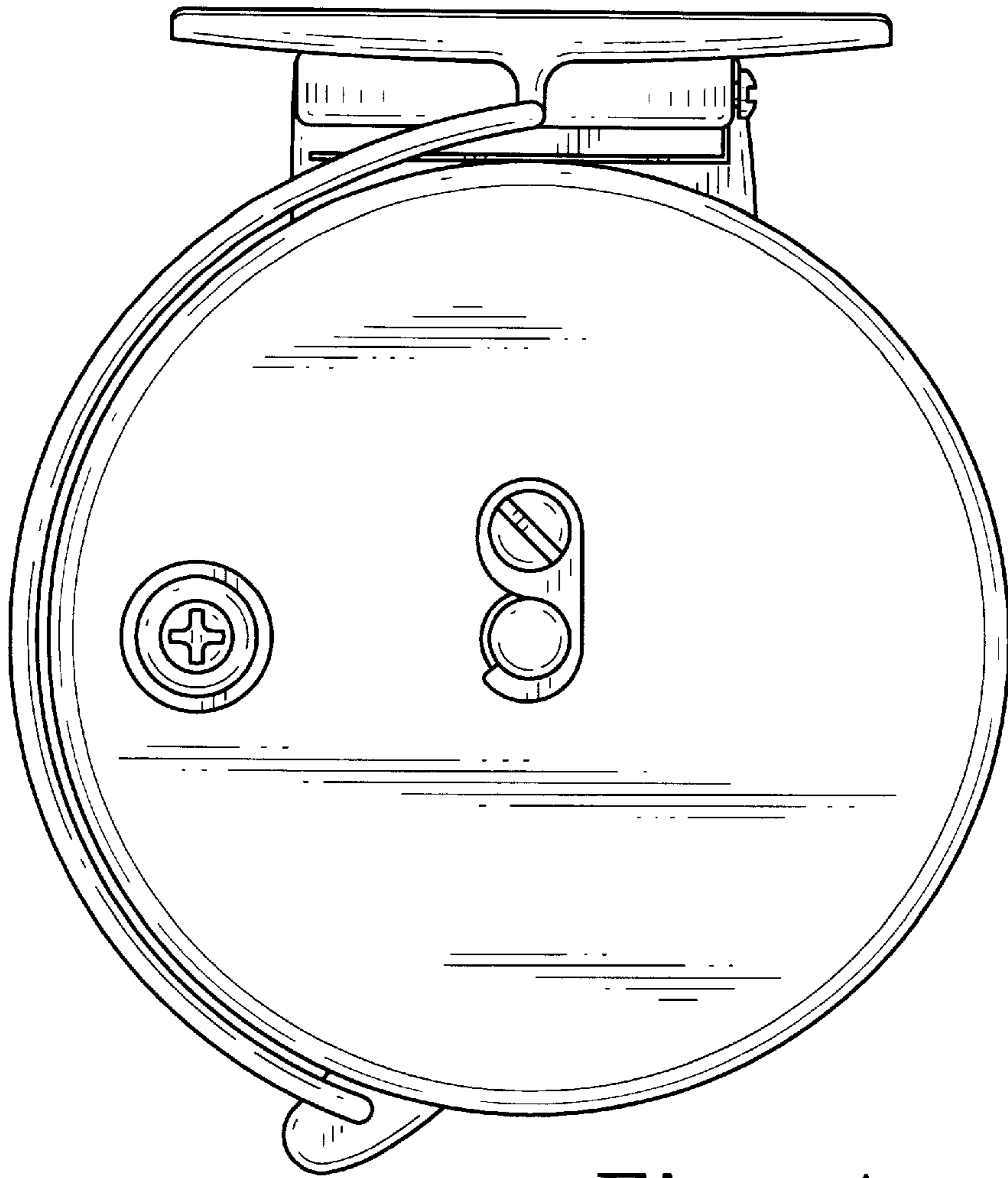


Fig. 4

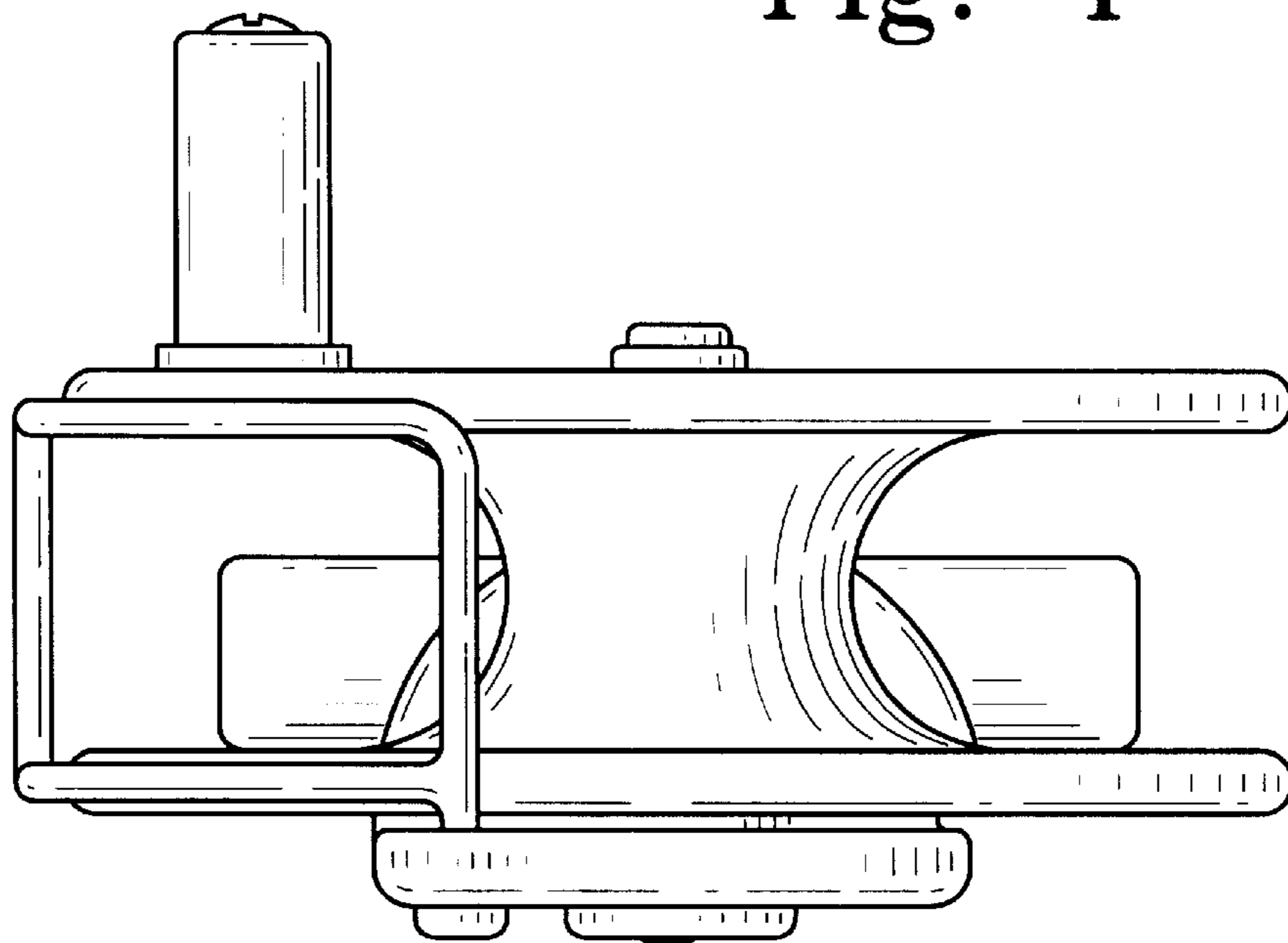


Fig. 5

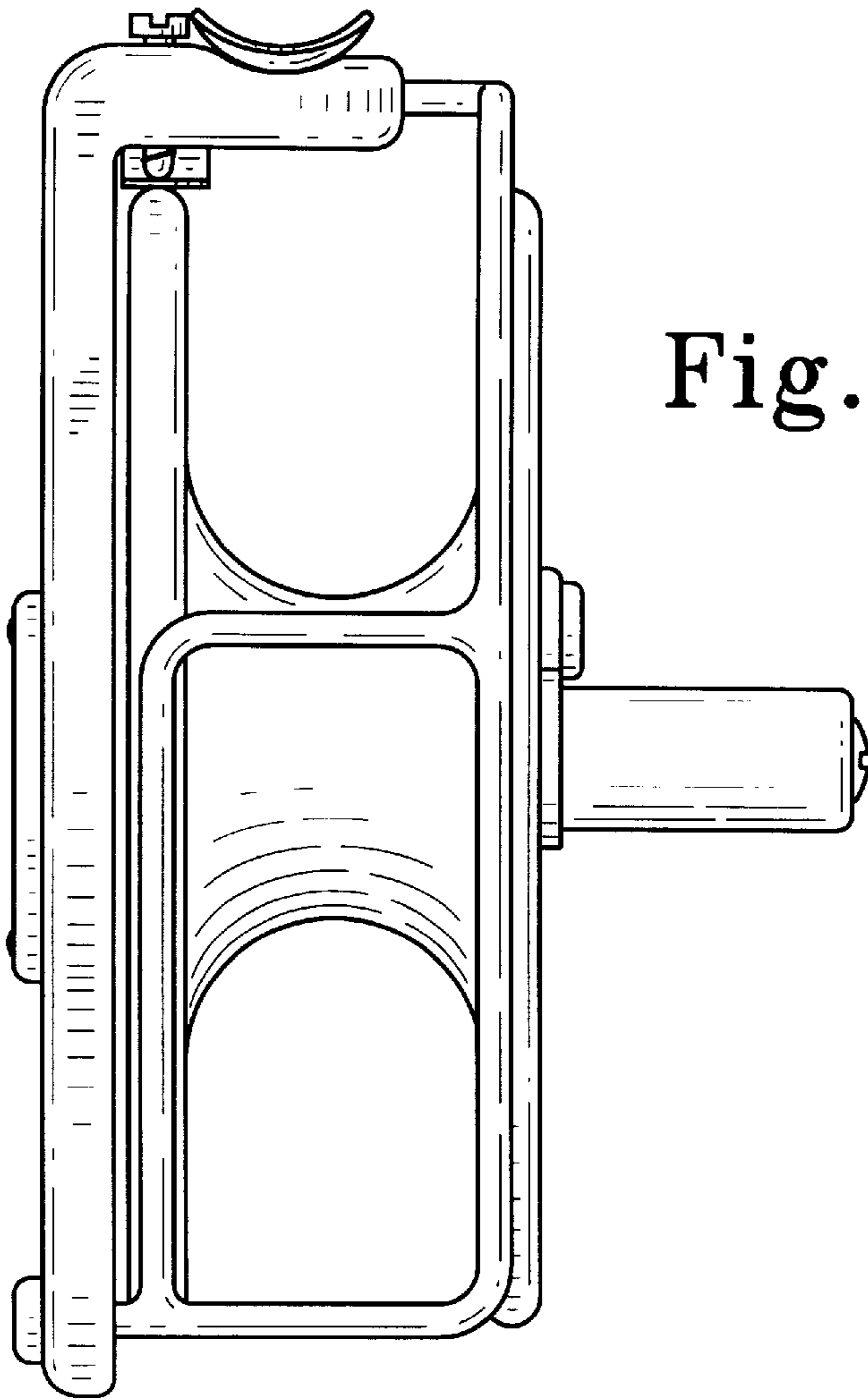


Fig. 6

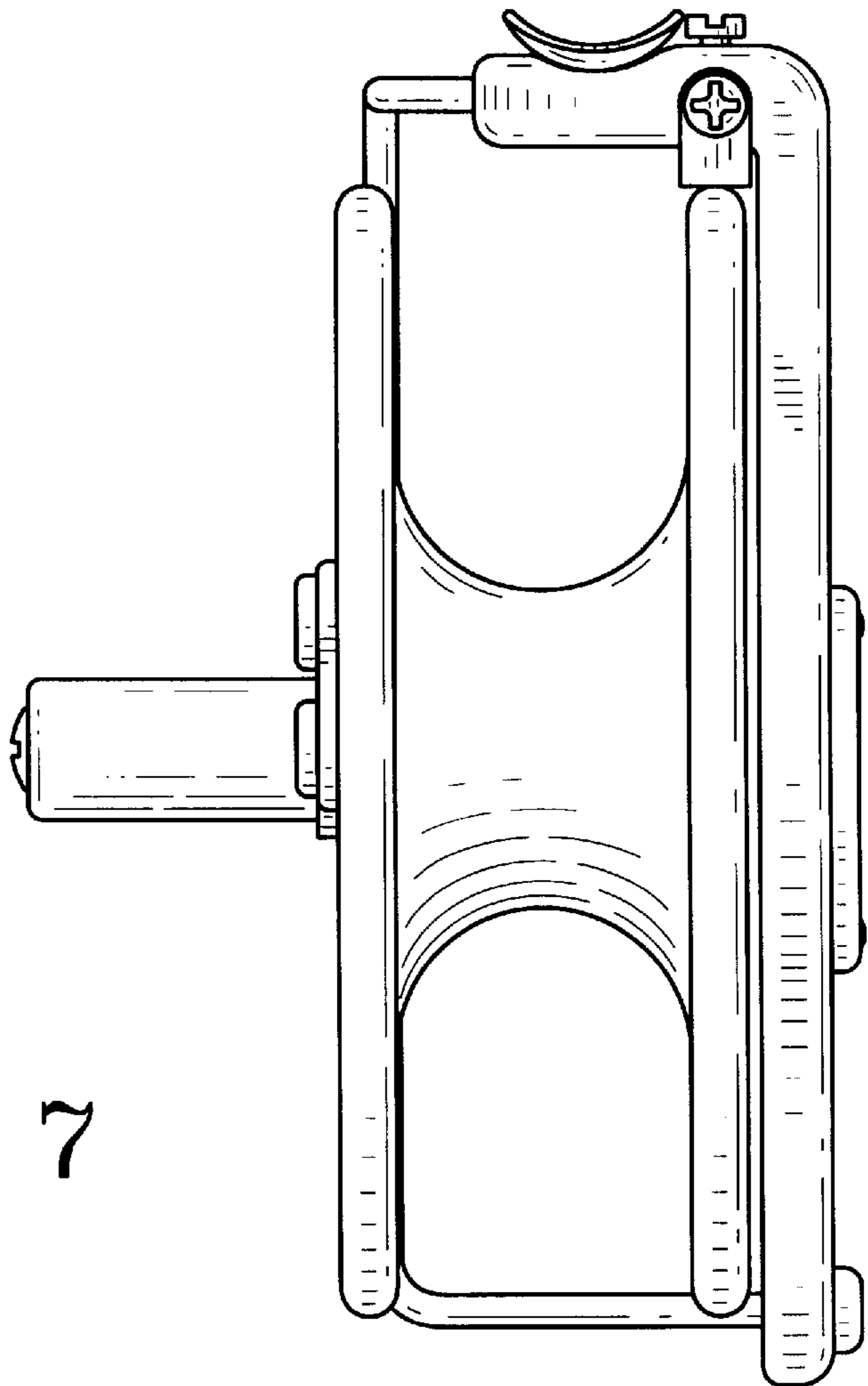


Fig. 7