



US00D412021S

# United States Patent [19] Gray

[11] **Patent Number: Des. 412,021**

[45] **Date of Patent: \*\* Jul. 13, 1999**

[54] **ARCHERY ACCESSORY**

5,718,213 2/1998 Gallops, Jr. et al. .... 124/25.6

[75] Inventor: **Douglas C. Gray**, Binghamton, N.Y.

*Primary Examiner*—Louis S. Zarfes  
*Assistant Examiner*—Monica A. Weingart  
*Attorney, Agent, or Firm*—Salzman & Levy

[73] Assignee: **Southern Tier Plastics, Inc.**

[\*\*] Term: **14 Years**

[57] **CLAIM**

[21] Appl. No.: **29/088,418**

The ornamental design for a archery accessory, as shown and described.

[22] Filed: **May 22, 1998**

### DESCRIPTION

### Related U.S. Application Data

[51] **LOC (6) Cl.** ..... **22-01**

[52] **U.S. Cl.** ..... **D22/107; D22/100; D22/199**

[58] **Field of Search** ..... D22/100, 107,  
D22/199; 124/25.6, 86, 90

FIG. 1 is an isometric view of the archery accessory;  
FIG. 2 is a front elevational view of the archery accessory;  
FIG. 3 is a right elevational view of the archery accessory;  
FIG. 4 is a rear elevational view of the archery accessory;  
FIG. 5 is a left elevational view of the archery accessory;  
FIG. 6 is a top or bottom plan view of the archery accessory,  
the top and bottom views being mirror images of each other;  
and,

### [56] References Cited

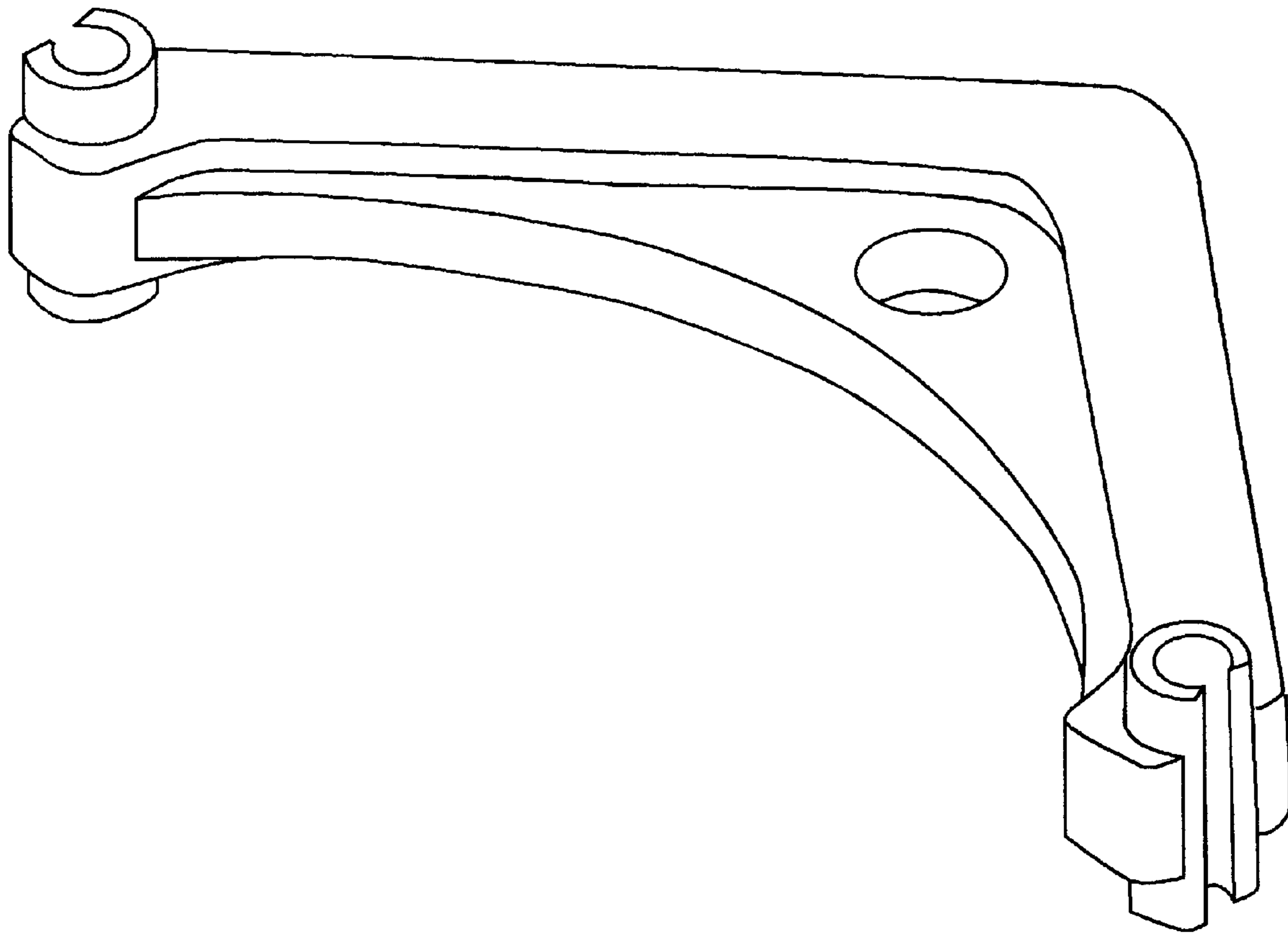
#### U.S. PATENT DOCUMENTS

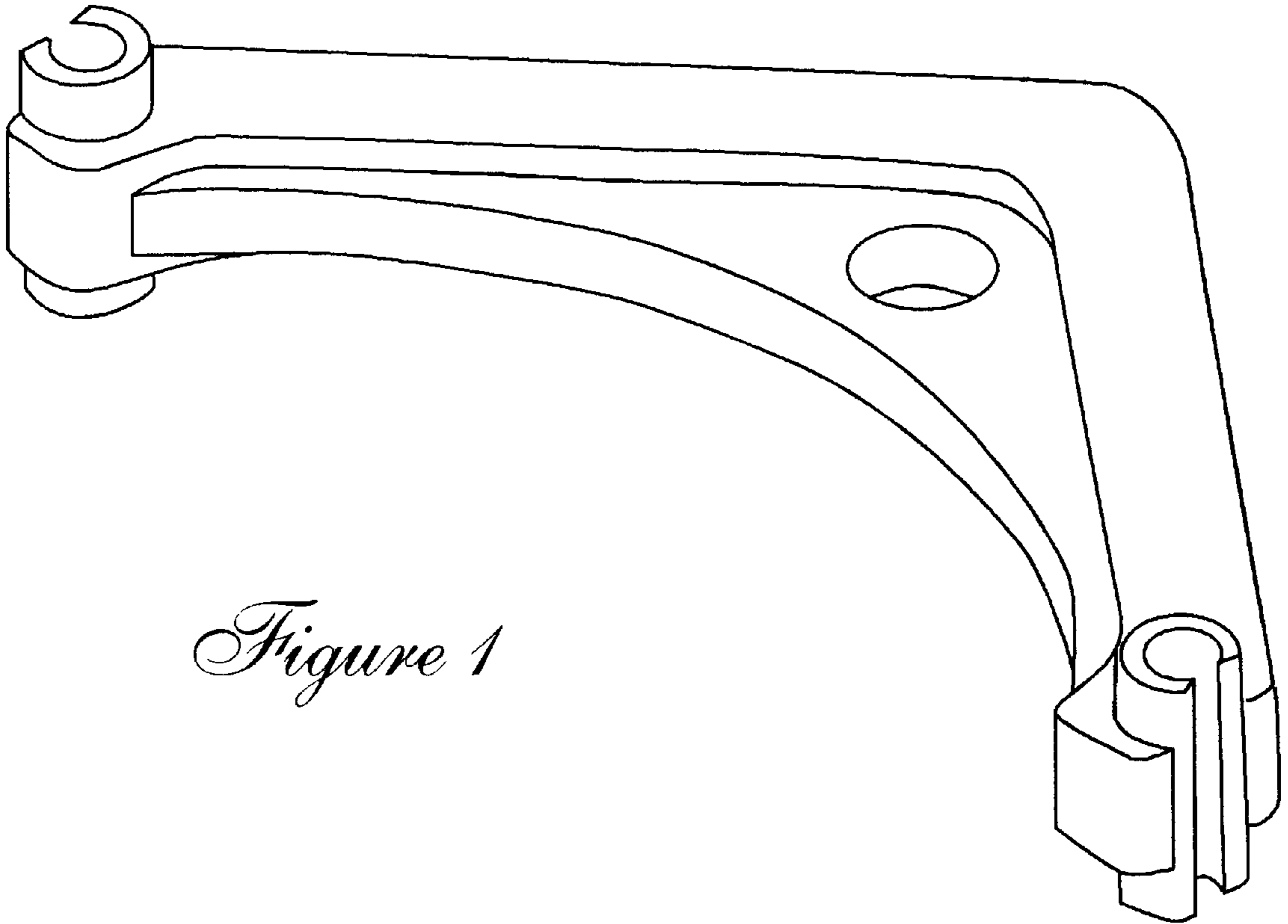
D. 252,095	6/1979	MacWilliams	.....	D22/107
4,440,143	4/1984	Nishioka	.....	124/25.6
4,524,750	6/1985	Darlington	.....	124/25.6
4,612,906	9/1986	Troncoso	.....	124/25.6
5,161,514	11/1992	Cary	.....	124/25.6
5,651,355	7/1997	Gallops, Jr.	.....	124/25.6

FIG. 7 is an isometric view showing the archery accessory in a typical operating environment.

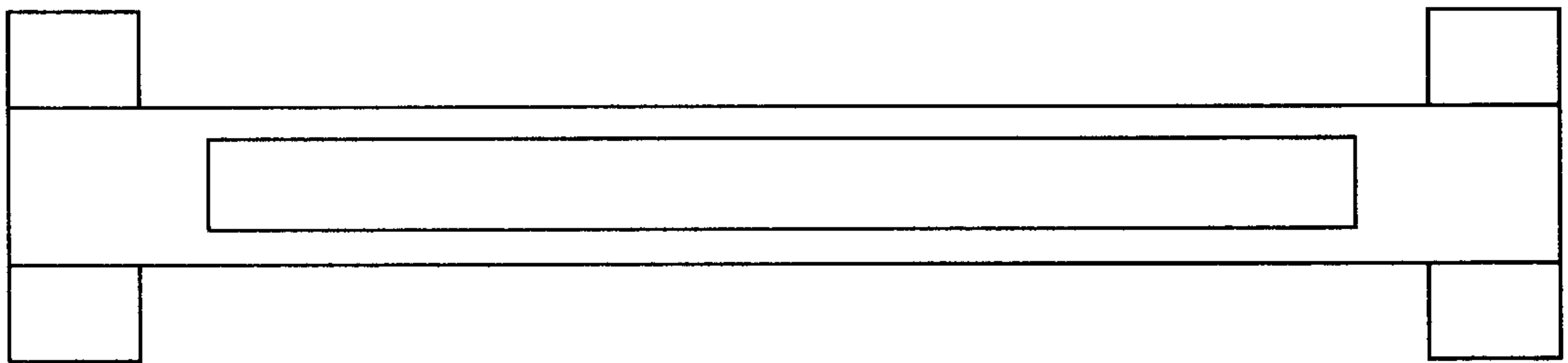
The broken line showing of bowstrings, an arrow and riser, in FIG. 7, is for illustrative purposes only and forms no part of the claimed design.

**1 Claim, 4 Drawing Sheets**

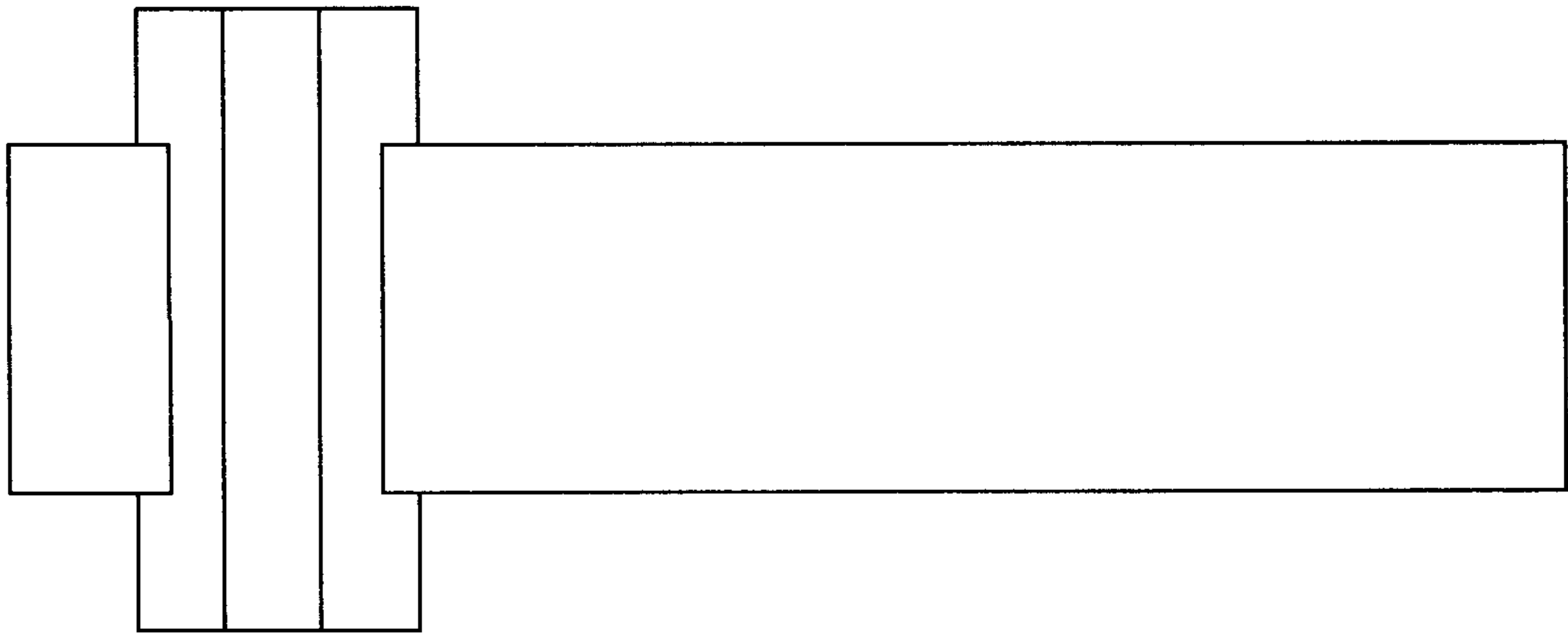




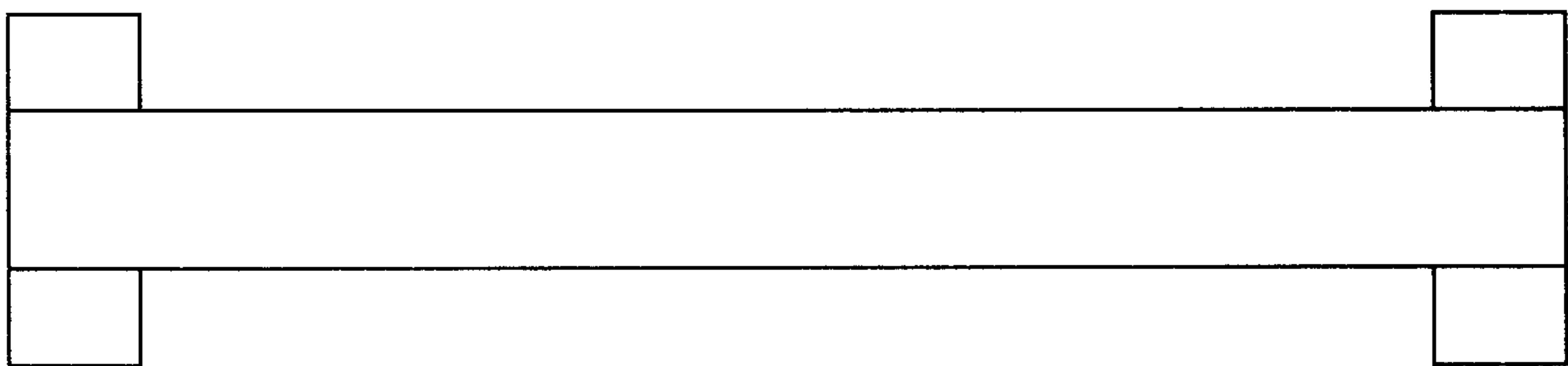
*Figure 1*



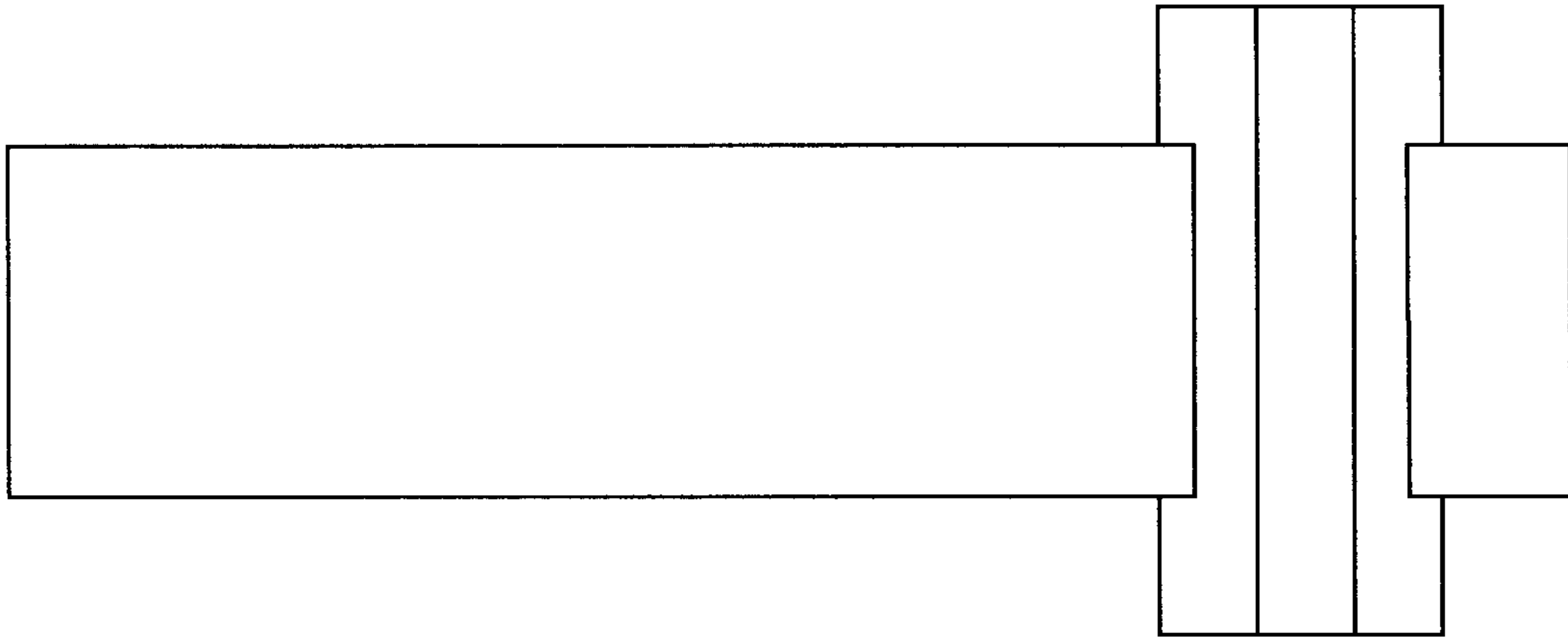
*Figure 2*



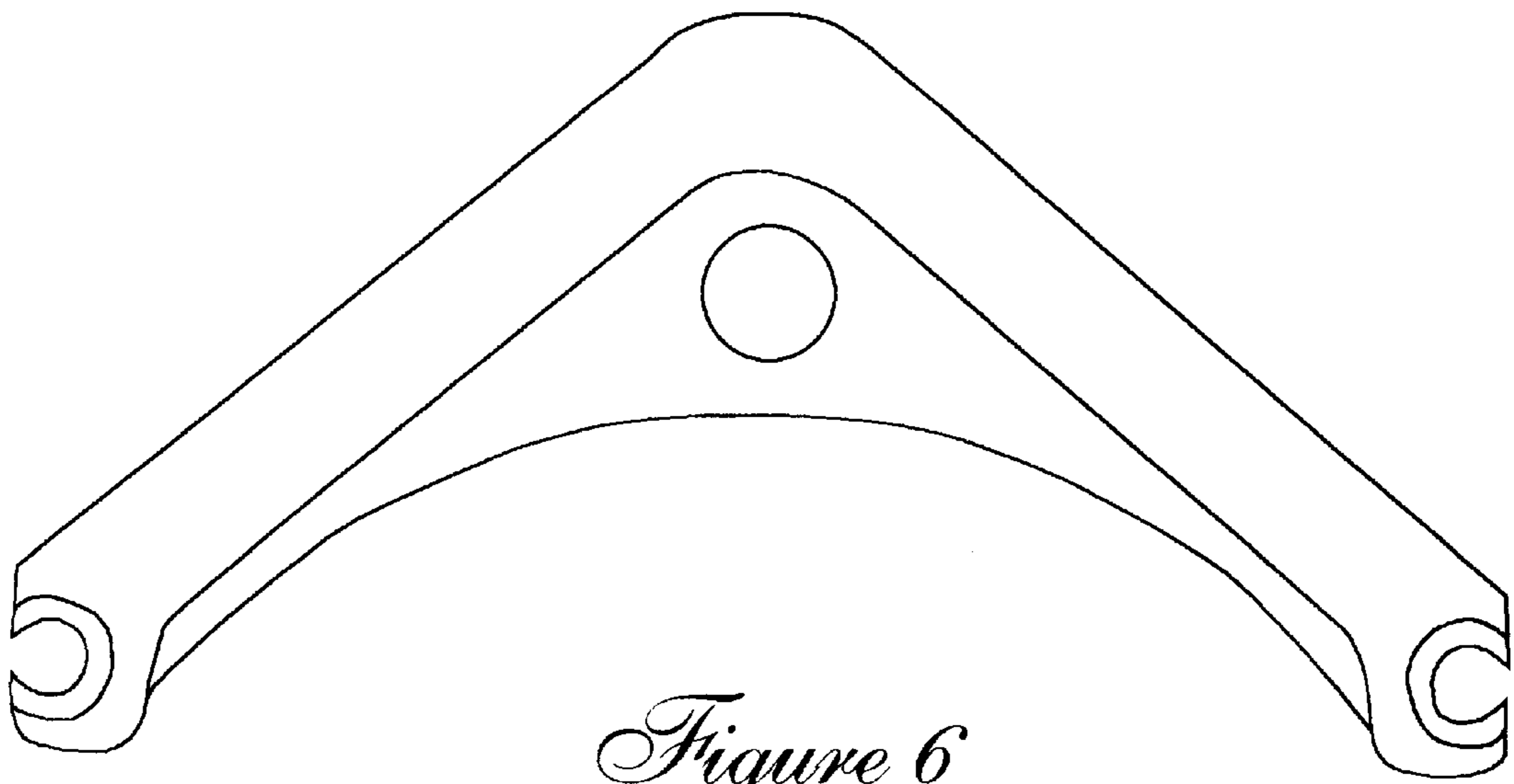
*Figure 3*



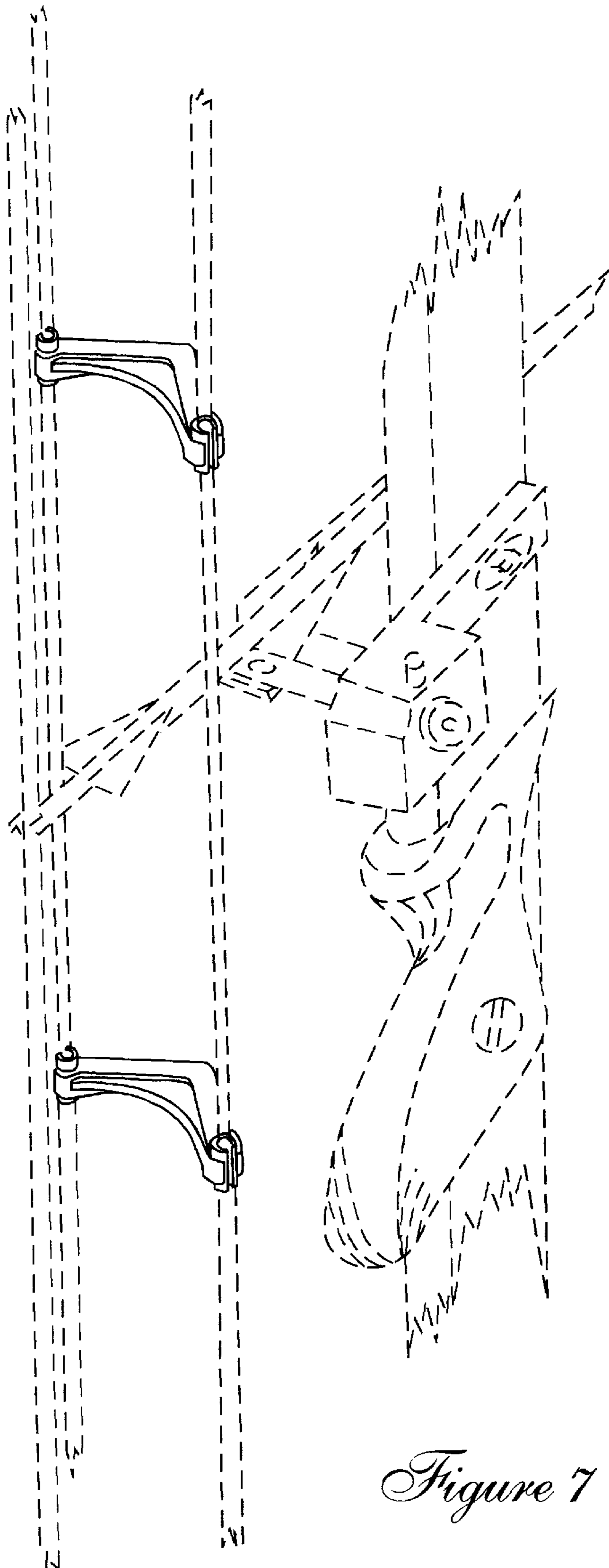
*Figure 4*



*Figure 5*



*Figure 6*



*Figure 7*