



US00D412019S

United States Patent [19]

Wu

[11] Patent Number: **Des. 412,019**

[45] Date of Patent: **** Jul. 13, 1999**

[54] **TOY FLYING DISK AND DISK LAUNCHER**

[76] Inventor: **Wen-Long Wu**, No. 5, Alley 26, Lane 62, Tung-Hsing Rd., Ta-Li City, Taichung Hsien, Taiwan

[**] Term: **14 Years**

[21] Appl. No.: **29/088,981**

[22] Filed: **Jun. 4, 1998**

[51] **LOC (6) Cl.** **21-01**

[52] **U.S. Cl.** **D21/436; D21/451; D21/454; D21/443**

[58] **Field of Search** **D21/436, 443, D21/447, 451, 454; 446/45, 429, 430; 124/16, 21, 78, 42**

[56] **References Cited**

U.S. PATENT DOCUMENTS

D. 224,250 7/1972 Crain et al. D21/454
D. 272,839 2/1984 Jennings et al. D21/451

D. 279,018 5/1985 Boudreaux D21/451
D. 386,220 11/1997 Schossow D21/443
D. 390,284 2/1998 Mak D21/454
4,134,228 1/1979 Ortiz 446/430 X
5,613,482 3/1997 Thai et al. 124/16

Primary Examiner—Dominic Simone
Attorney, Agent, or Firm—Bacon & Thomas, PLLC

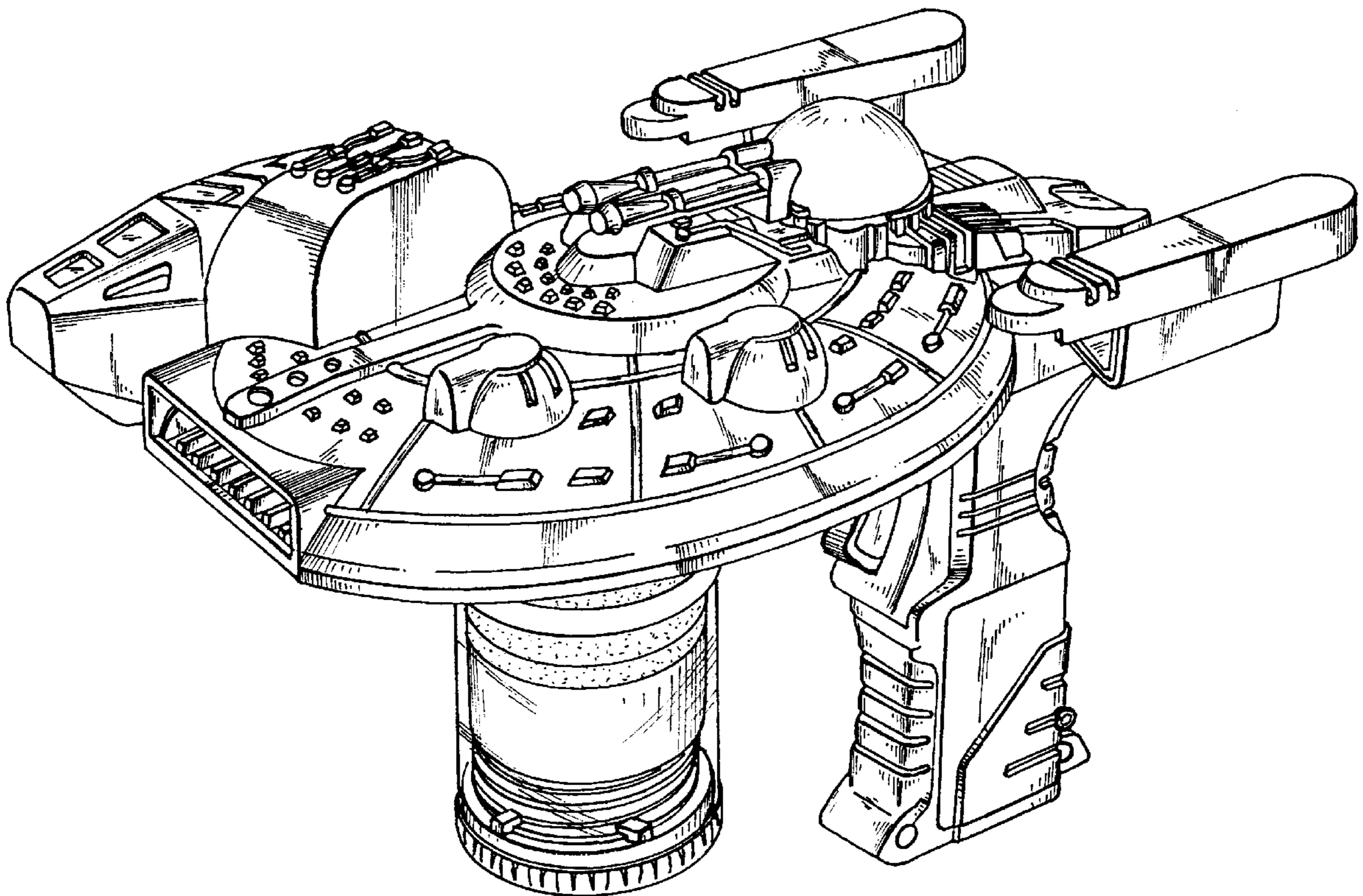
[57] **CLAIM**

The ornamental design for toy flying disk and disk launcher, as shown and described.

DESCRIPTION

FIG. 1 is a perspective view of toy flying disk and disk launcher showing my new design thereof; FIG. 2 is a front elevational view thereof; FIG. 3 is a rear elevational view thereof; FIG. 4 is a left side elevational view thereof; FIG. 5 is a right side elevational view thereof; FIG. 6 is a top plan view thereof; and, FIG. 7 is a bottom plan view thereof.

1 Claim, 4 Drawing Sheets



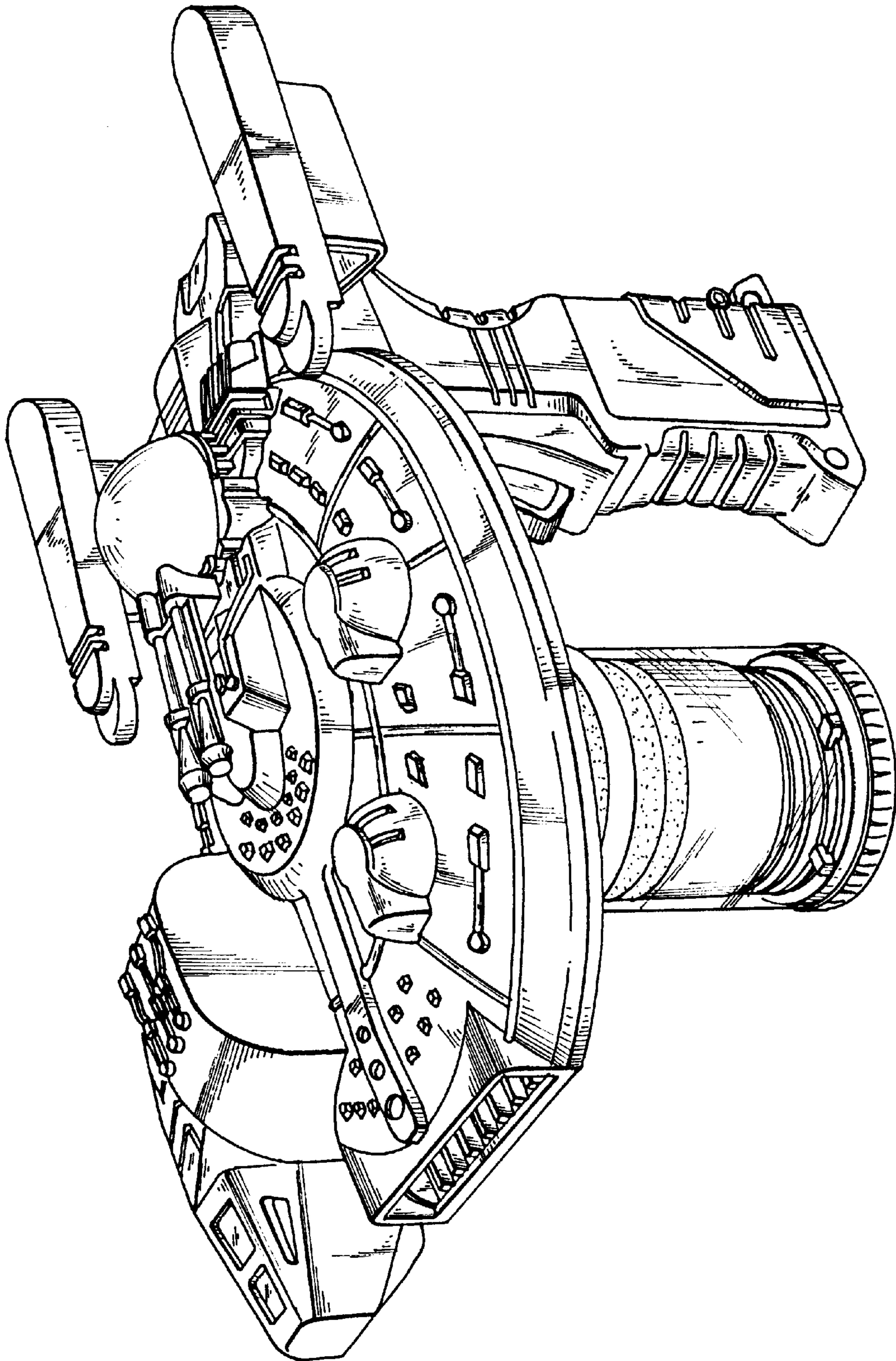


Fig. 1

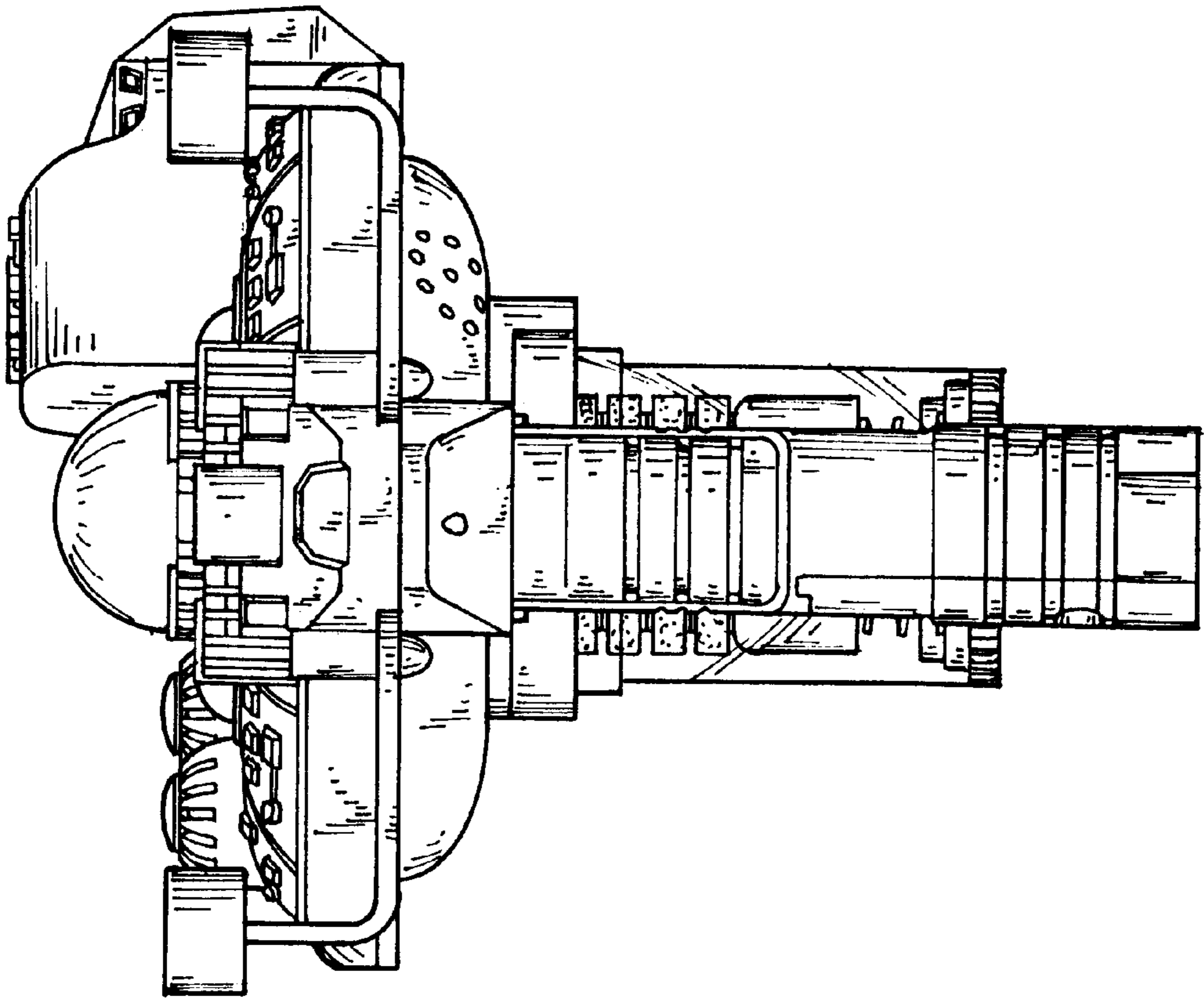


Fig. 3

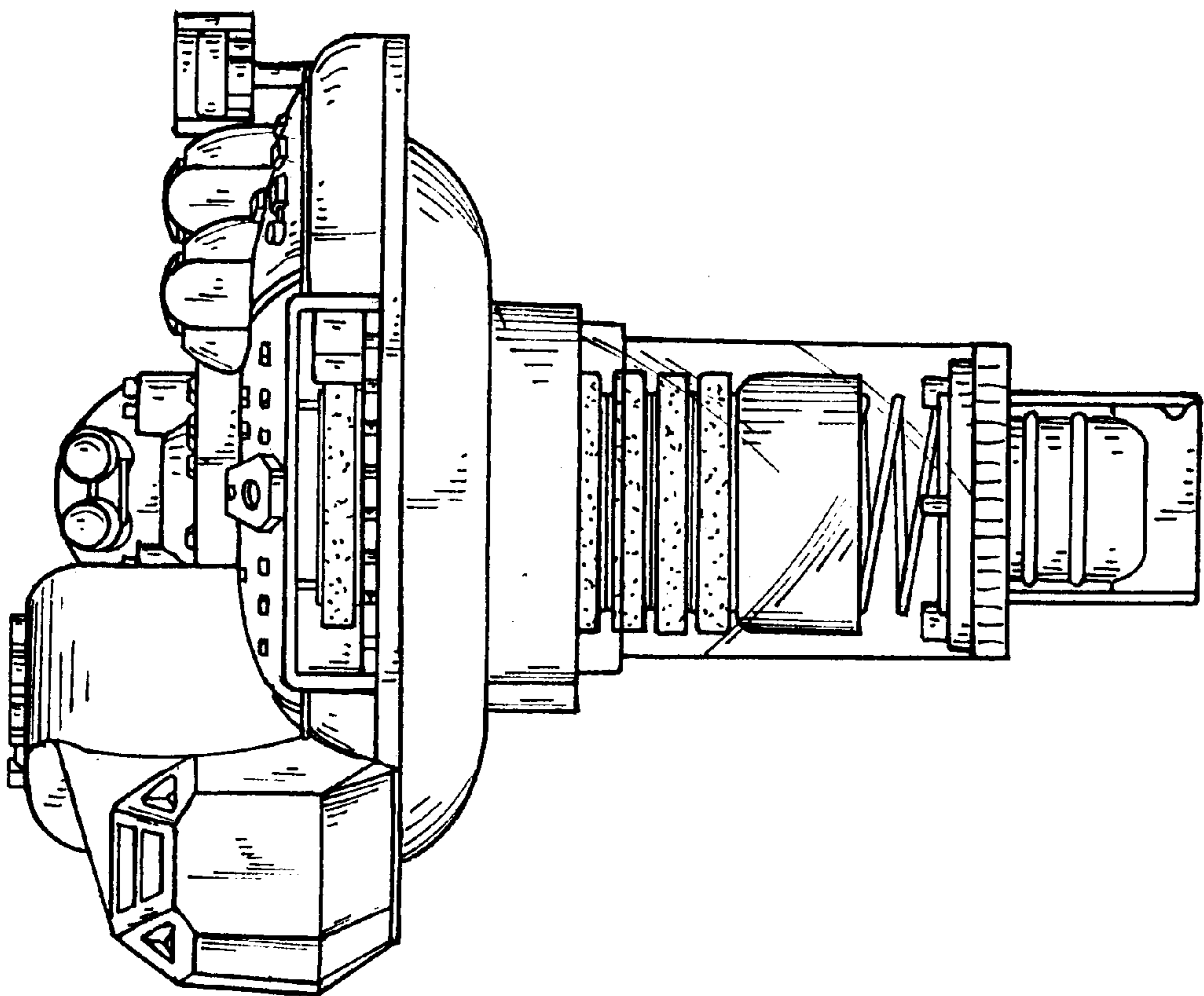


Fig. 2

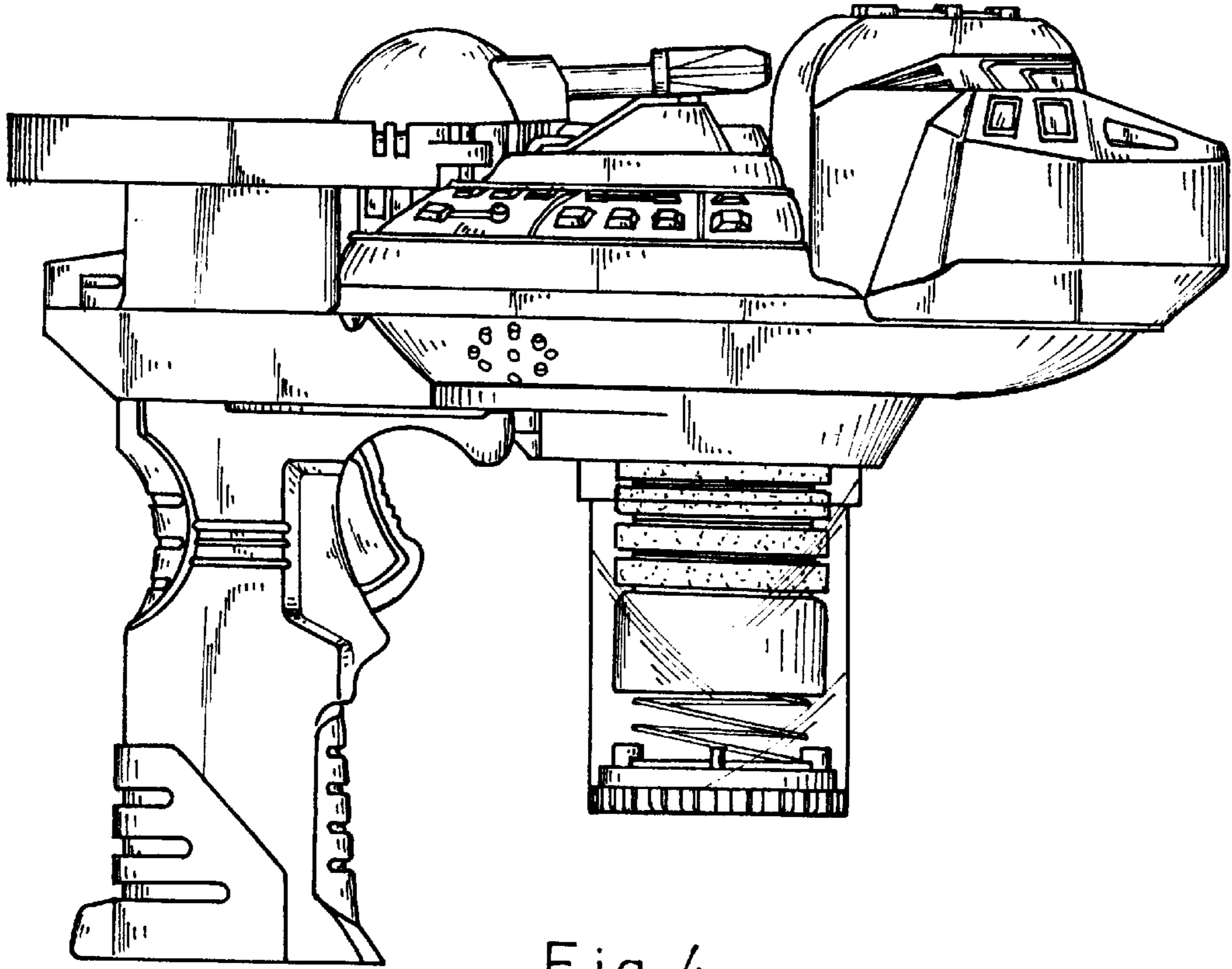


Fig. 4

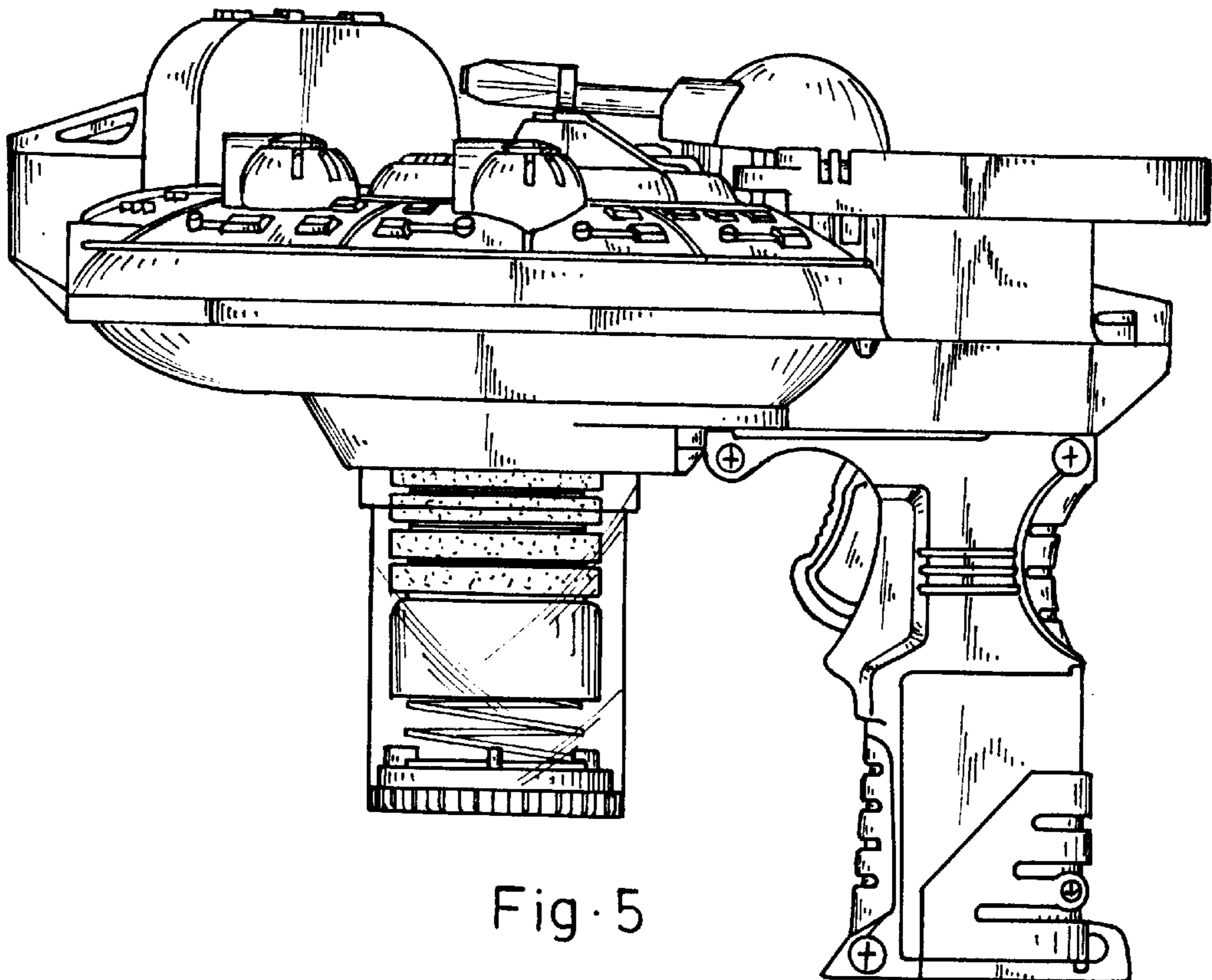


Fig. 5

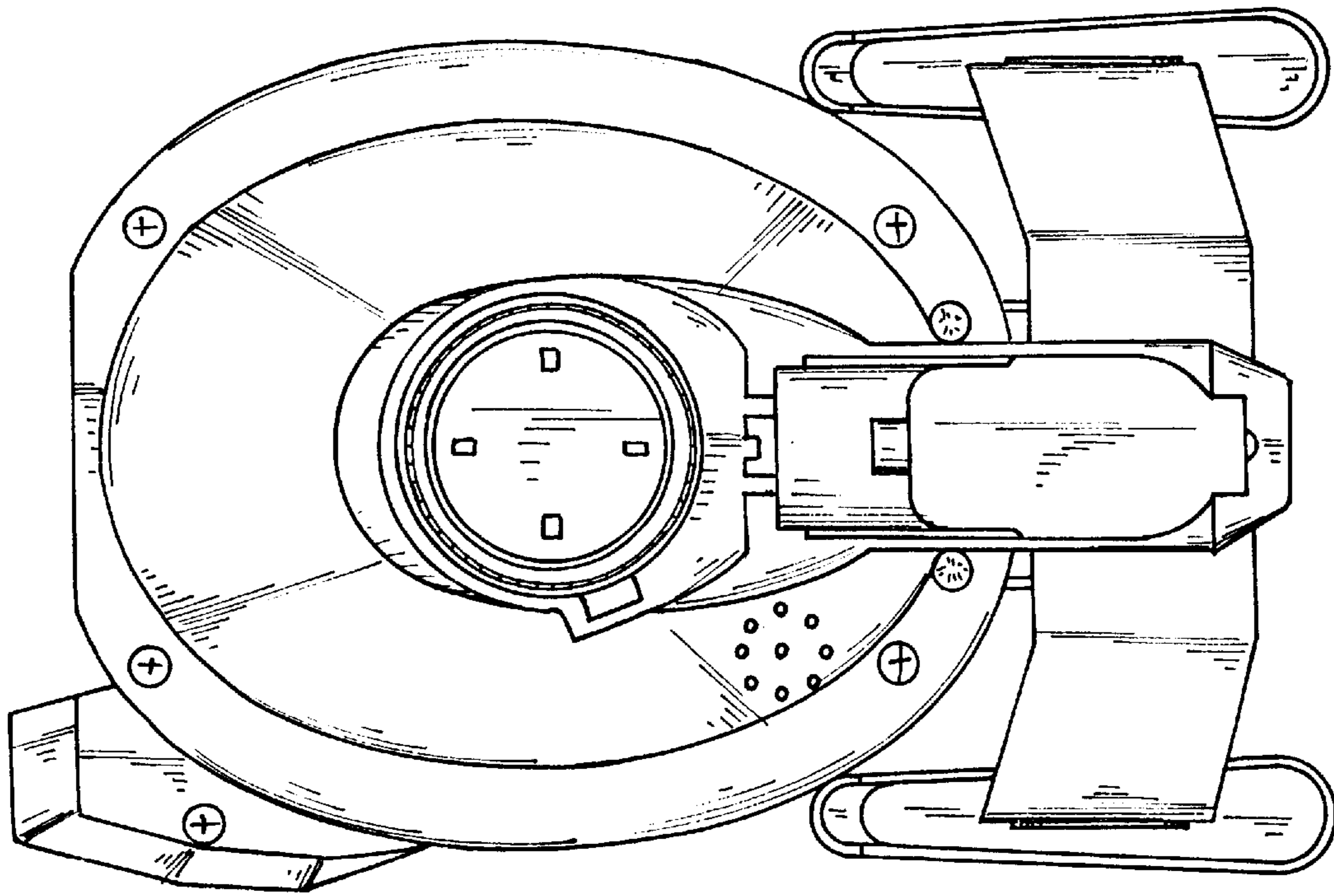


Fig.7

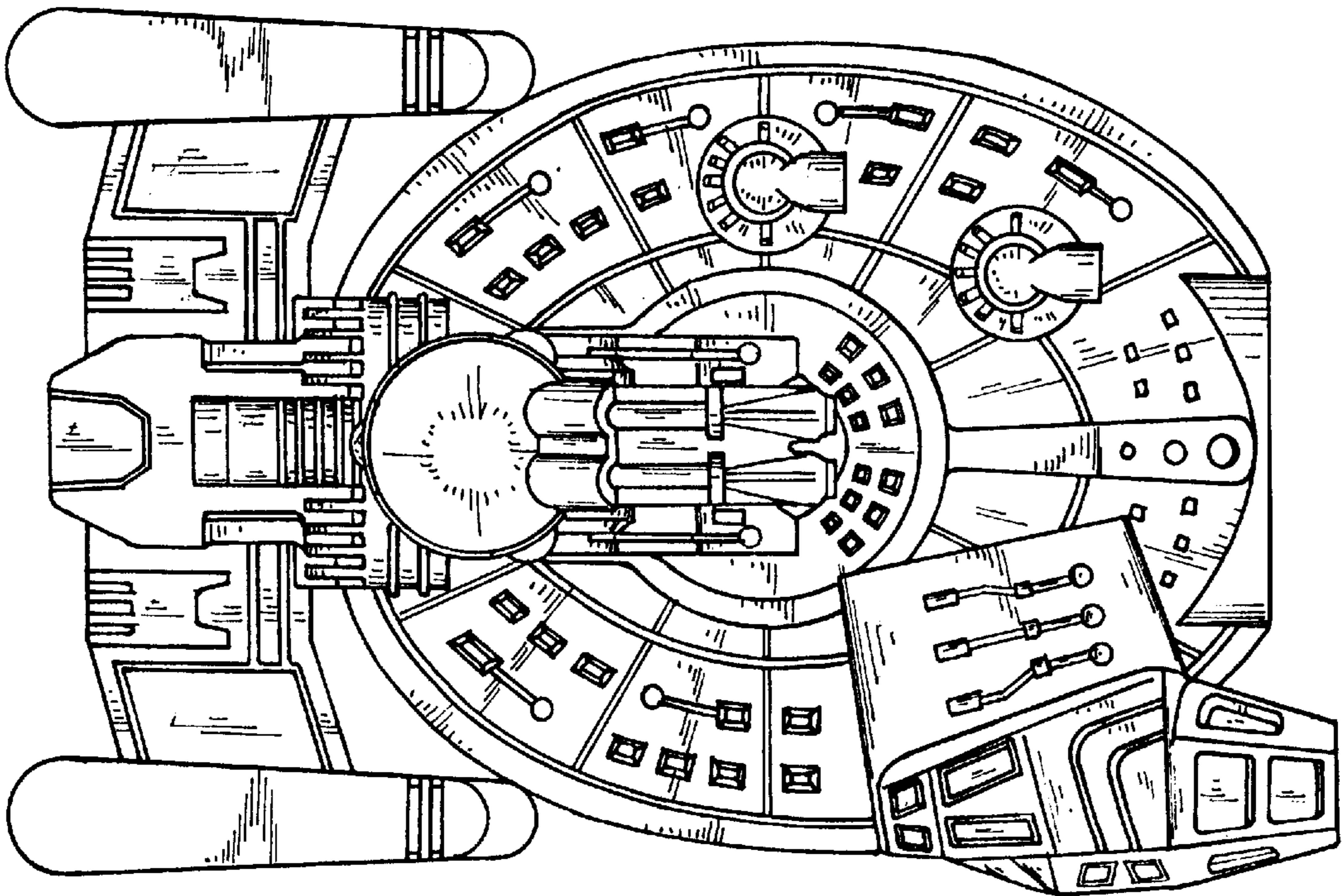


Fig.6