



US00D412016S

United States Patent [19]
Meredith

[11] **Patent Number: Des. 412,016**
[45] **Date of Patent: ** Jul. 13, 1999**

[54] **COMPUTERIZED FISHING ROD AND REEL**

[76] Inventor: **Christopher Meredith**, 3 Whero La.,
Nantucket, Mass. 02554

[**] Term: **14 Years**

[21] Appl. No.: **29/079,345**

[22] Filed: **Nov. 12, 1997**

[51] **LOC (6) Cl.** **21-01**

[52] **U.S. Cl.** **D21/329**

[58] **Field of Search** D21/314, 329,
D21/324, 333; 273/148 B; 43/1, 4, 17,
18.1; 463/1, 7, 30, 37, 46, 47; D22/134,
138, 139, 148

[56] **References Cited**

U.S. PATENT DOCUMENTS

D. 246,049	10/1977	Nakamura	D22/138
D. 313,061	12/1990	Bascom et al.	D22/134
D. 397,729	9/1998	Schulz et al.	D21/329
3,924,350	12/1975	Hsu	273/457 X
5,131,165	7/1992	Bensen .		
5,232,223	8/1993	Dornbusch .		
5,542,672	8/1996	Meredith .		
5,730,655	3/1998	Meredith	463/37

OTHER PUBLICATIONS

HongKong Enterprise, p. 133 Oct. 1994.

Primary Examiner—Prabhakar Deshmukh
Attorney, Agent, or Firm—Weingram & Associates, P.C.

[57] **CLAIM**

I claim the ornamental design for a computerized fishing rod and reel, as shown and described.

DESCRIPTION

FIG. 1 is a perspective view showing an embodiment of my design for a computerized fishing rod and reel according to present invention;

FIG. 2 is a side elevational view thereof;

FIG. 3 is another side elevational view thereof, opposite to the view shown in FIG. 2;

FIG. 4 is a rear elevational view thereof;

FIG. 5 is a front elevational view thereof;

FIG. 6 is a top plan view thereof;

FIG. 7 is a bottom plan view thereof;

FIG. 8 is a perspective view of another embodiment of my design for a computerized fishing rod and reel according to the present invention;

FIG. 9 is a side elevational view thereof;

FIG. 10 is another side elevational view thereof, opposite to the view shown in FIG. 9;

FIG. 11 is a front elevational view thereof;

FIG. 12 is a rear elevational view thereof;

FIG. 13 is top plan view thereof; and,

FIG. 14 is bottom plan view thereof.

1 Claim, 6 Drawing Sheets

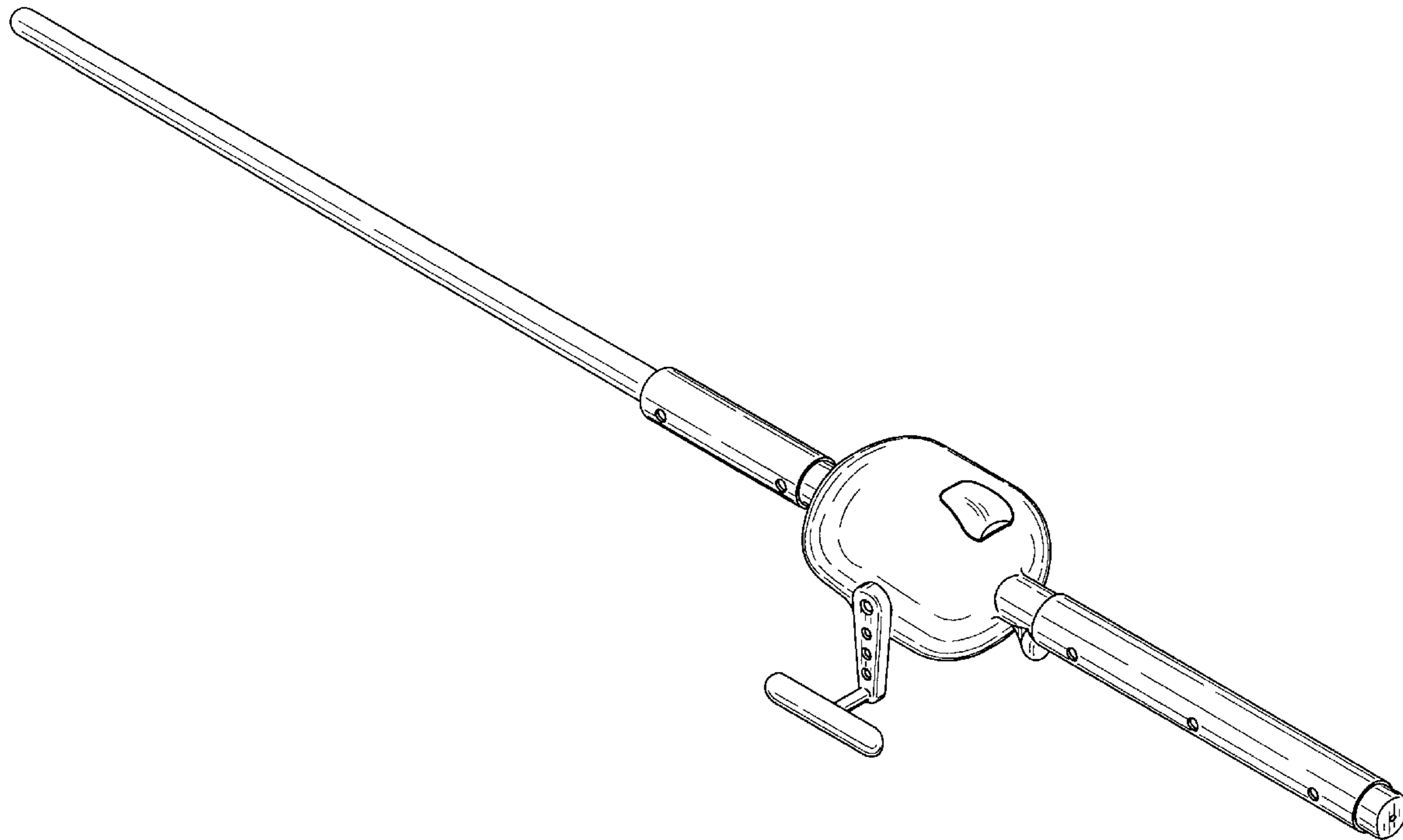


FIG. 1

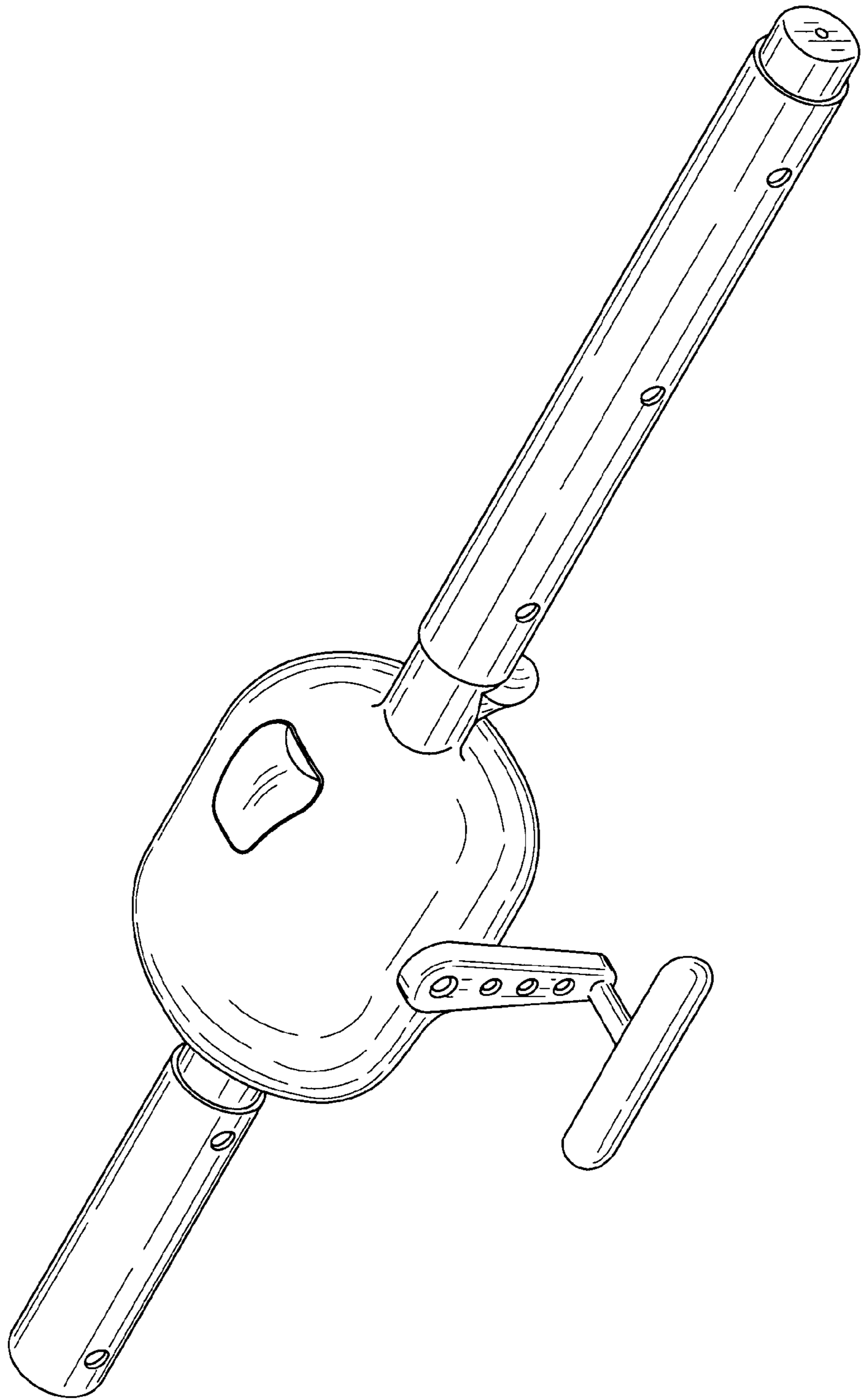


FIG. 4

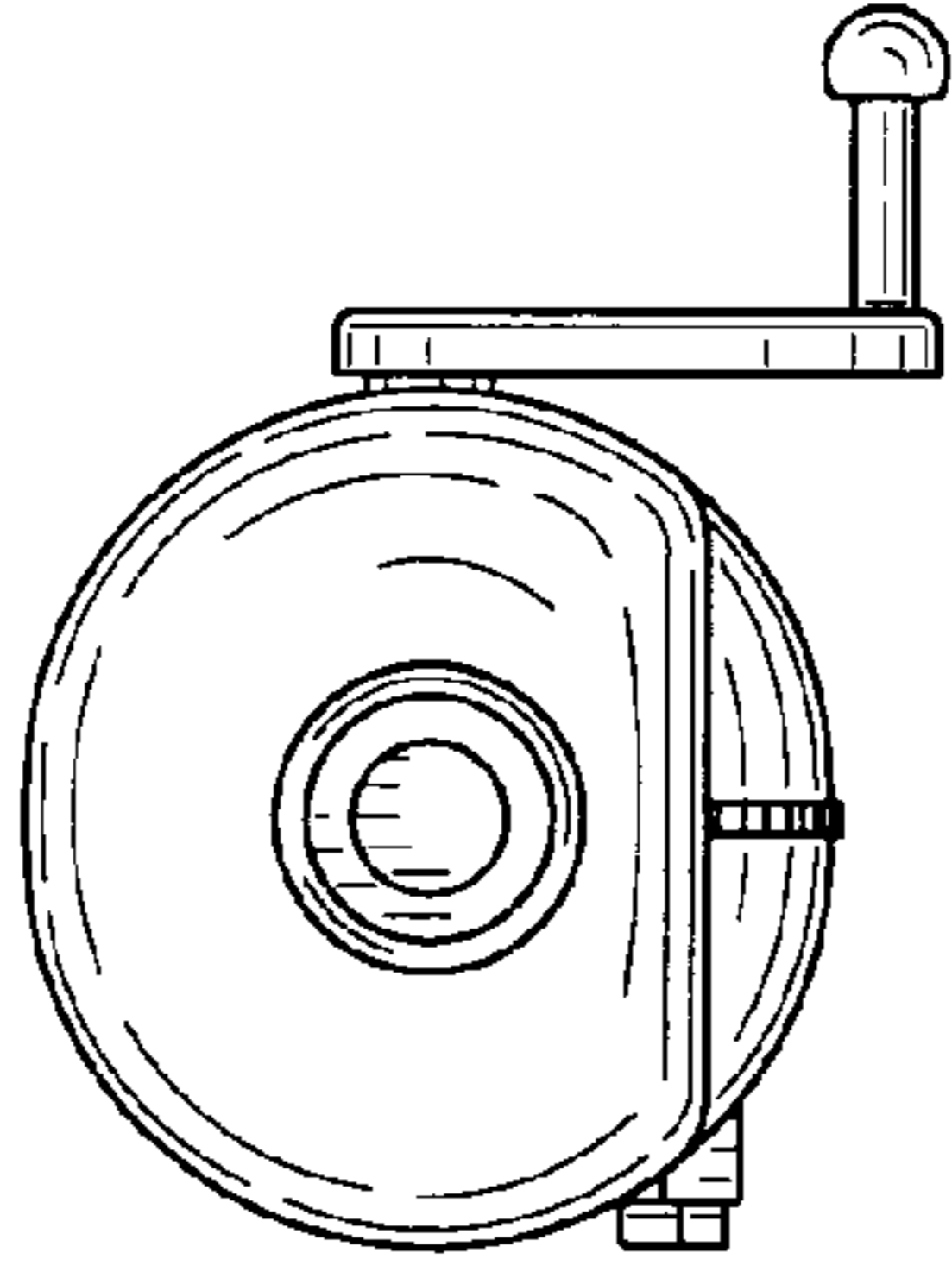


FIG. 5

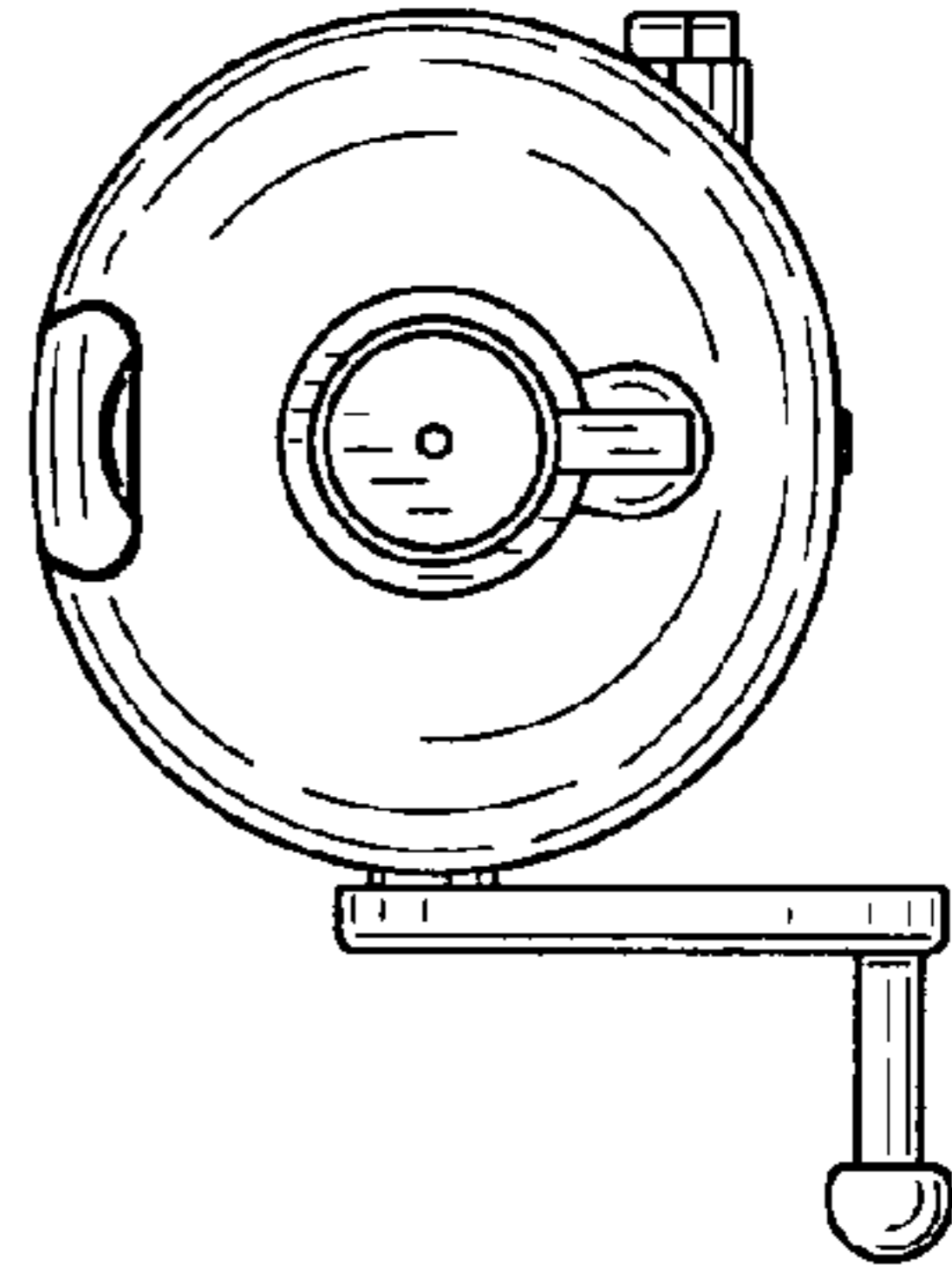


FIG. 2

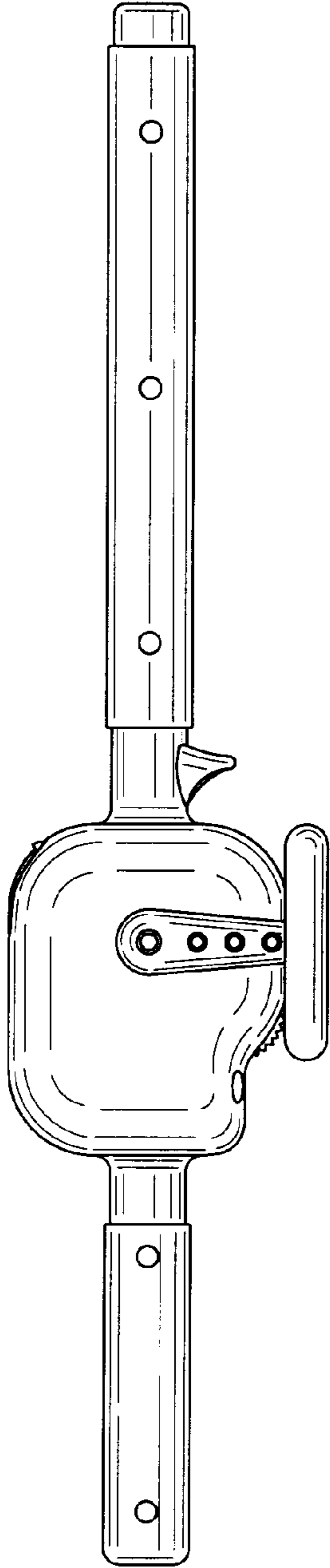


FIG. 3

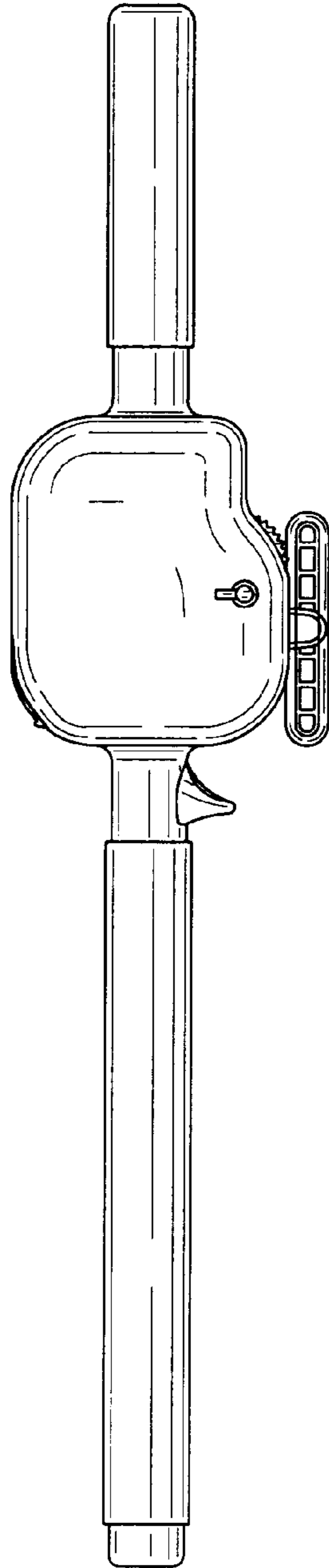


FIG. 6

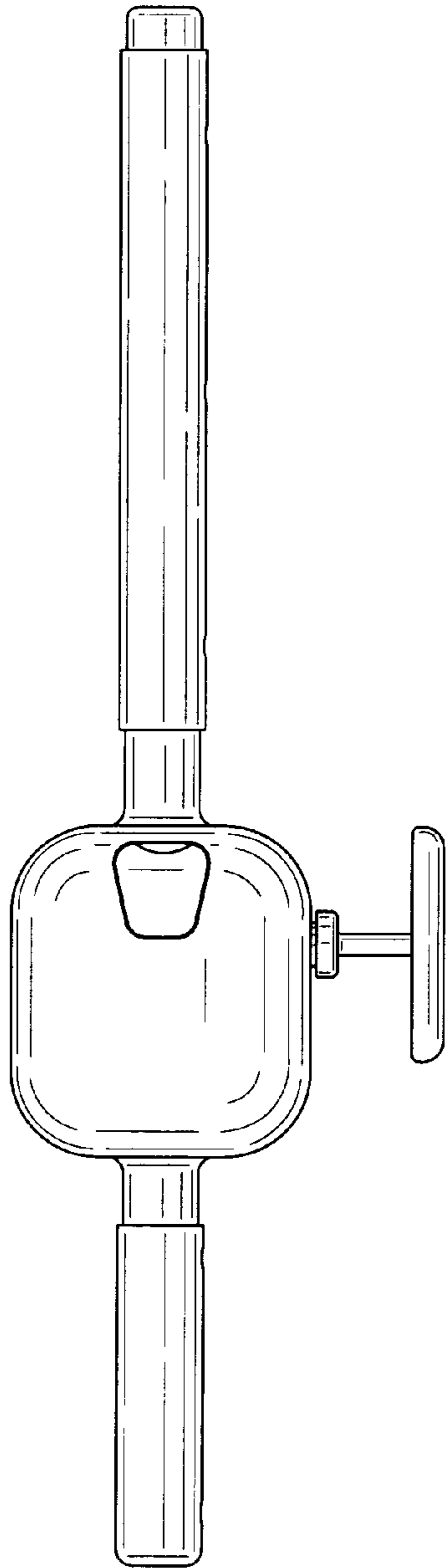
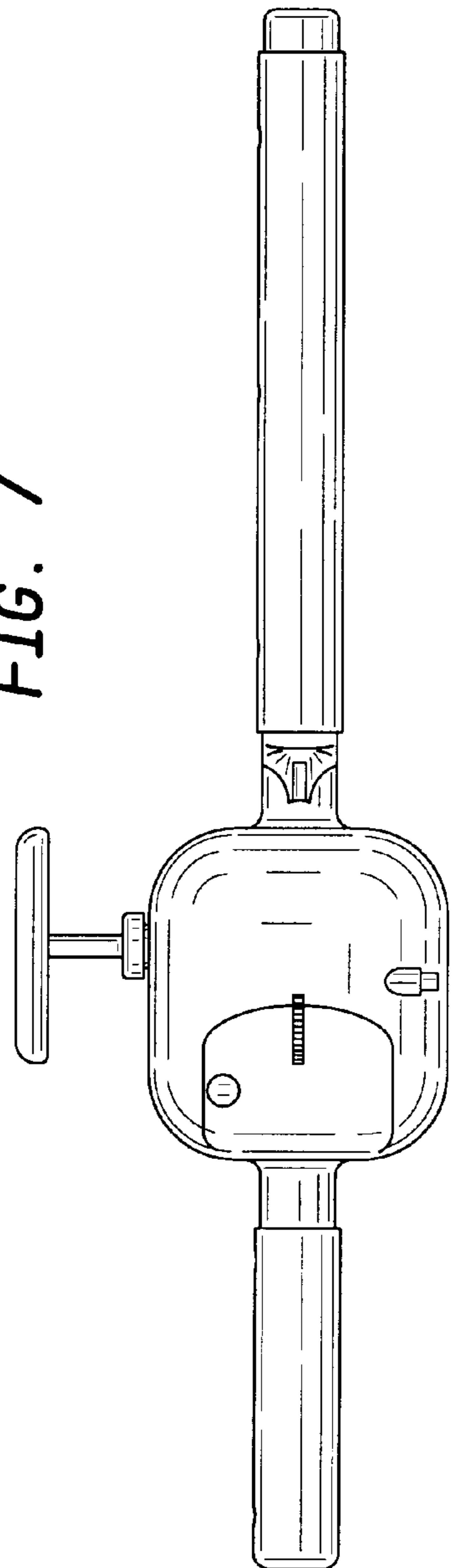


FIG. 7



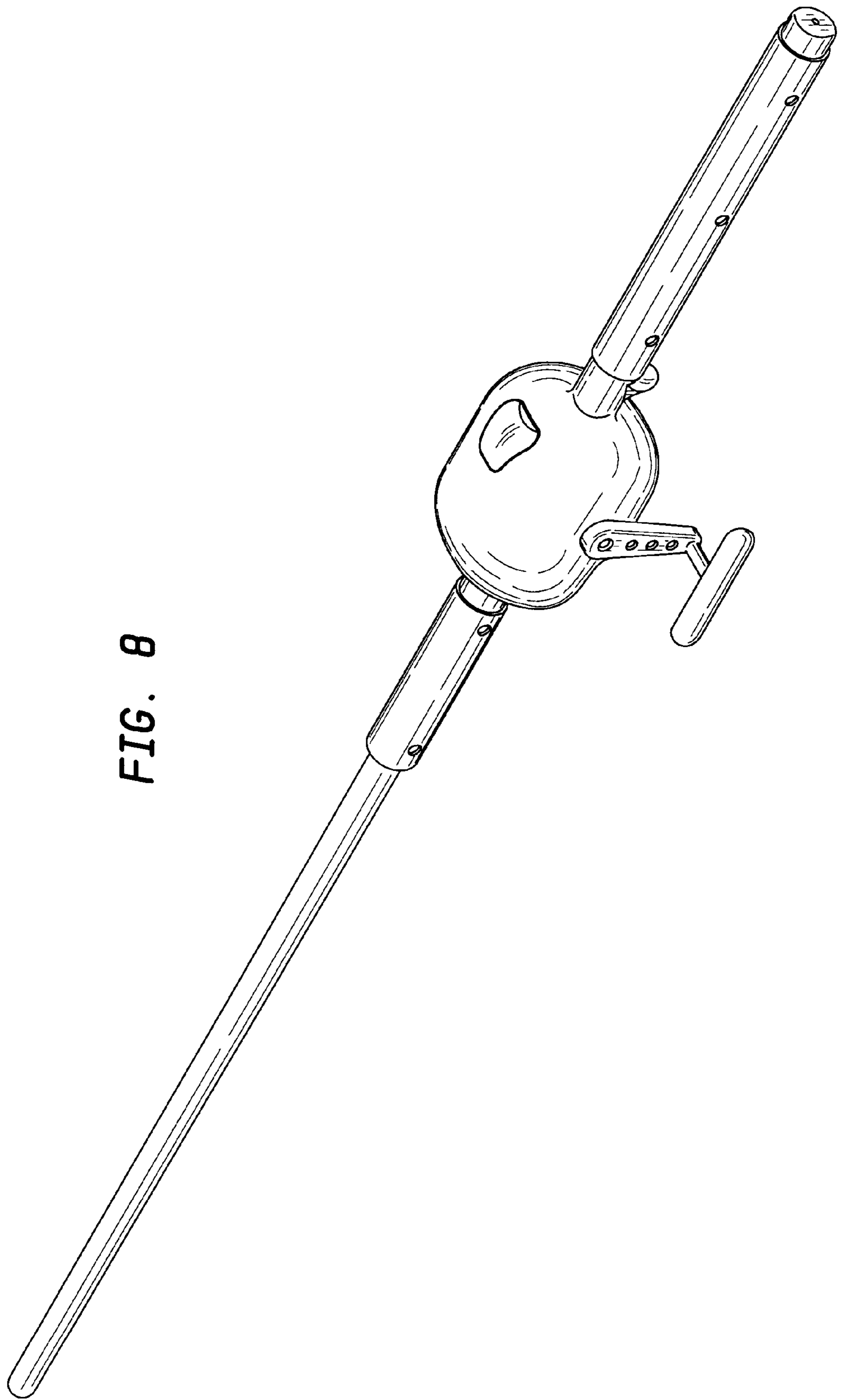


FIG. 8

FIG. 9

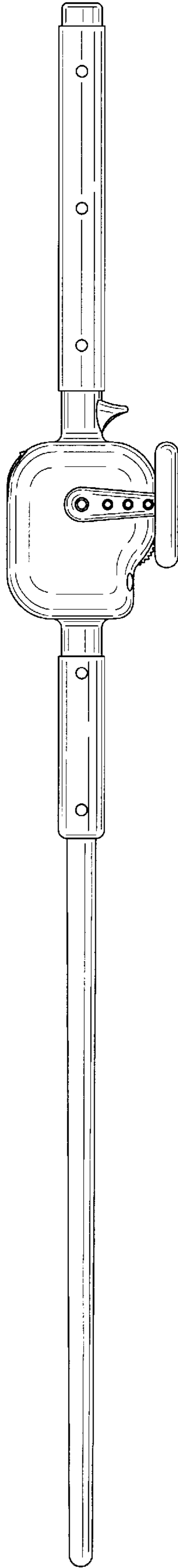


FIG. 10

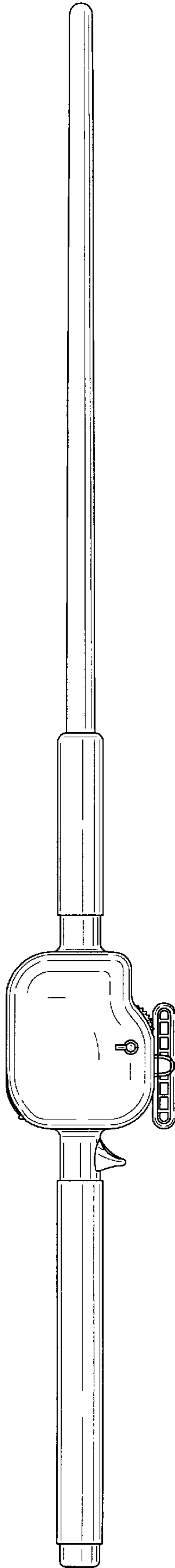


FIG. 11

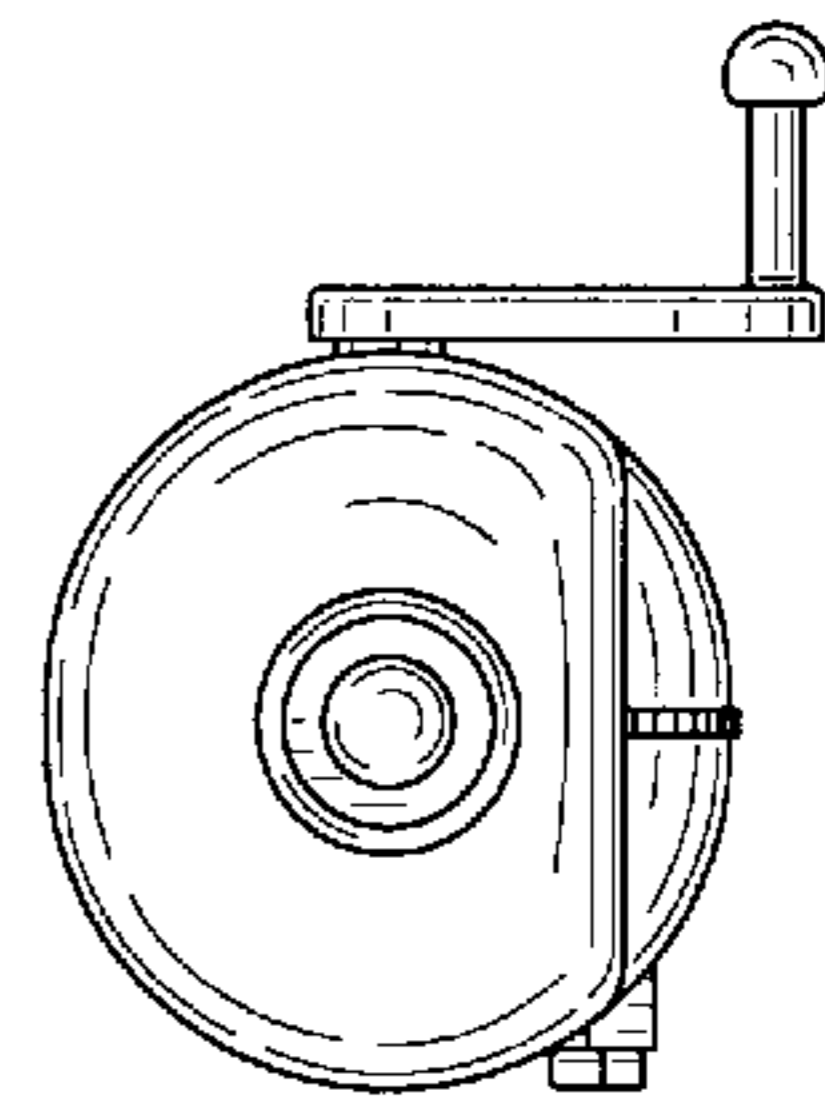


FIG. 12

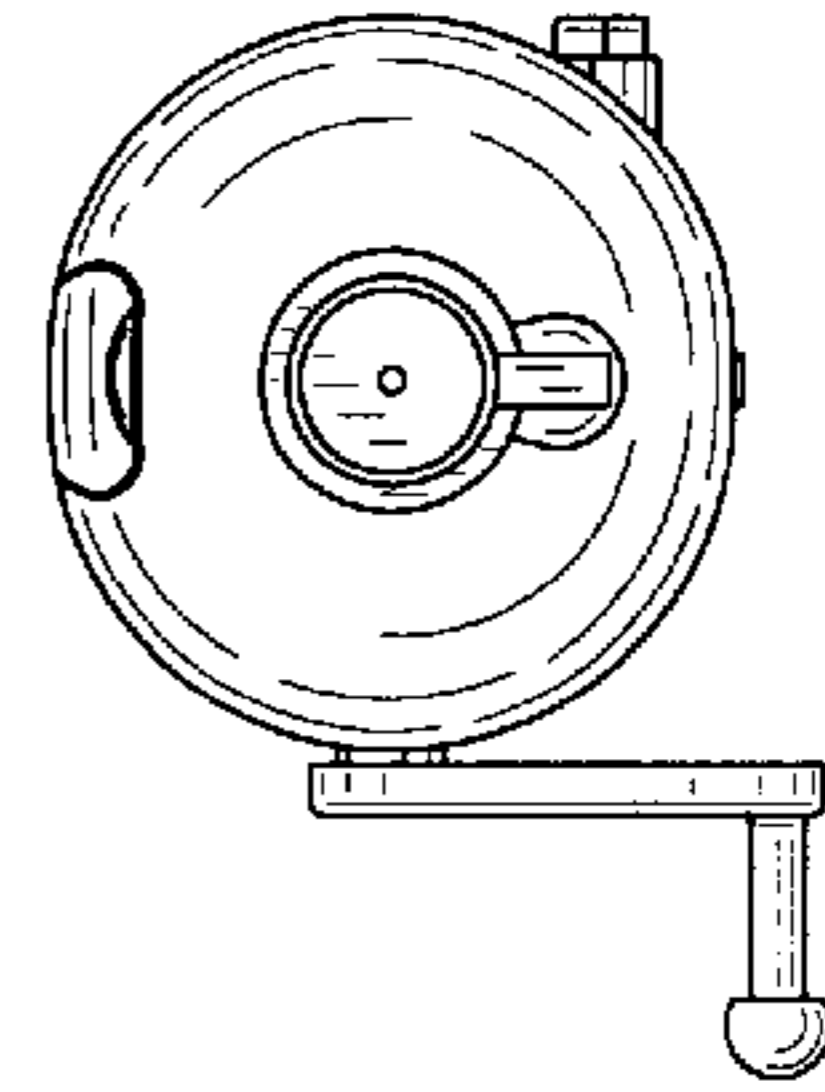


FIG. 13

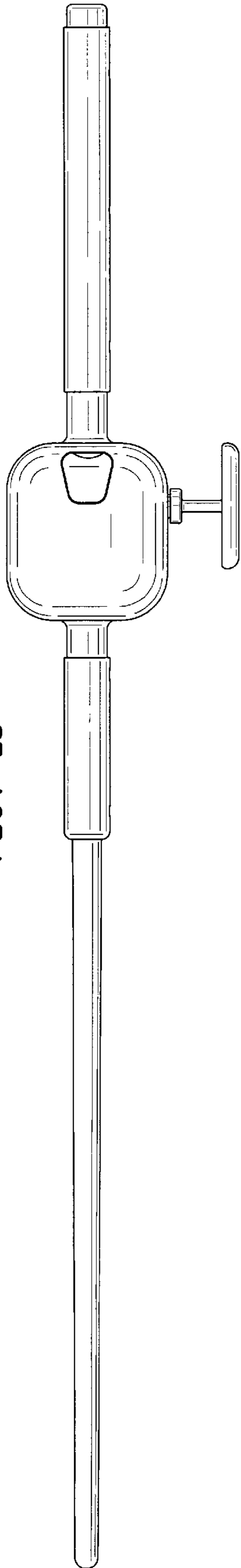


FIG. 14

