



US00D412013S

United States Patent [19]

Karten et al.

[11] Patent Number: **Des. 412,013**

[45] Date of Patent: **** Jul. 13, 1999**

[54] **INK JET PRINTER**

[75] Inventors: **Stuart Karten**, Marina del Rey; **Dennis Schroeder**, Hermosa Beach, both of Calif.

[73] Assignee: **ENCAD, Inc.**, San Diego, Calif.

[**] Term: **14 Years**

[21] Appl. No.: **29/066,793**

[22] Filed: **Feb. 20, 1997**

[51] **LOC (6) Cl.** **14-02**

[52] **U.S. Cl.** **D18/50**

[58] **Field of Search** D18/50, 54, 55, D18/4, 12, 14; 400/691-694, 690.1-690.4, 613, 613.1, 613.4; D14/105, 100, 114, 118, 141

[56] **References Cited**

U.S. PATENT DOCUMENTS

D. 360,428	7/1995	Hayashihara	D18/50
D. 366,900	2/1996	Pangburn et al.	D18/50
D. 373,595	9/1996	Askren et al.	D18/50
D. 375,119	10/1996	Pangburn	D18/50

D. 390,597	2/1998	Igarashi et al.	D18/55
D. 392,311	3/1998	Takano	D18/50
D. 399,251	10/1998	McGlashan	D18/55
D. 401,965	12/1998	Pangburn	D18/55

Primary Examiner—Cathy Anne MacCormac
Attorney, Agent, or Firm—Knobbe, Martens, Olson & Bear, LLP

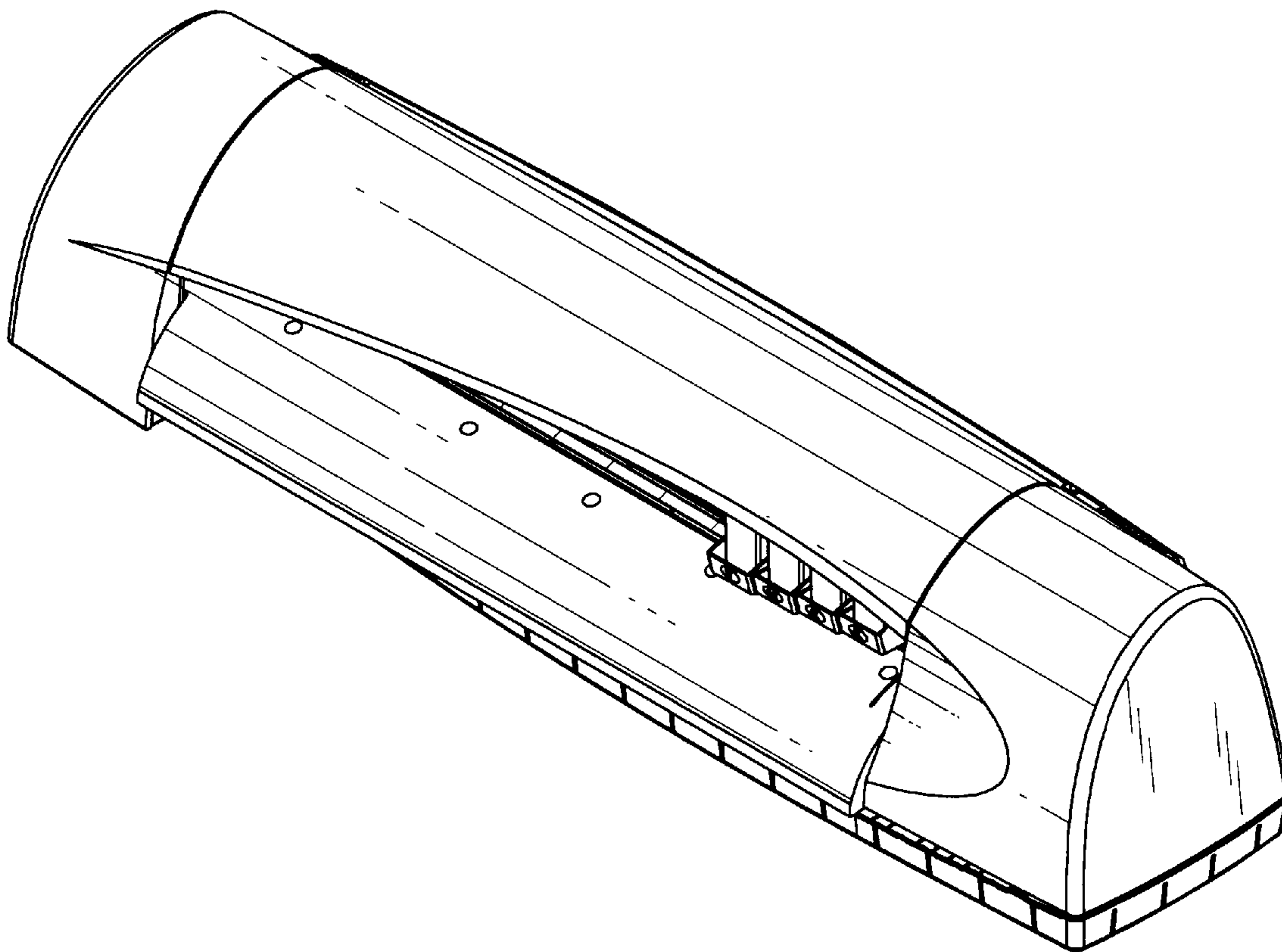
[57] **CLAIM**

The ornamental design for an ink jet printer, as shown and described.

DESCRIPTION

FIG. 1 is a front view of the ink jet printer of the present invention.
FIG. 2 is a rear view of the ink jet printer of FIG. 1.
FIG. 3 is a top view of the ink jet printer of FIG. 1.
FIG. 4 is a left side view of the ink jet printer of FIG. 1.
FIG. 5 is a right side view of the ink jet printer of FIG. 1.
FIG. 6 is a bottom view of the ink jet printer of FIG. 1.
FIG. 7 is a left perspective view of the ink jet printer of FIG. 1; and,
FIG. 8 is a right perspective view of the ink jet printer of FIG. 1.

1 Claim, 3 Drawing Sheets



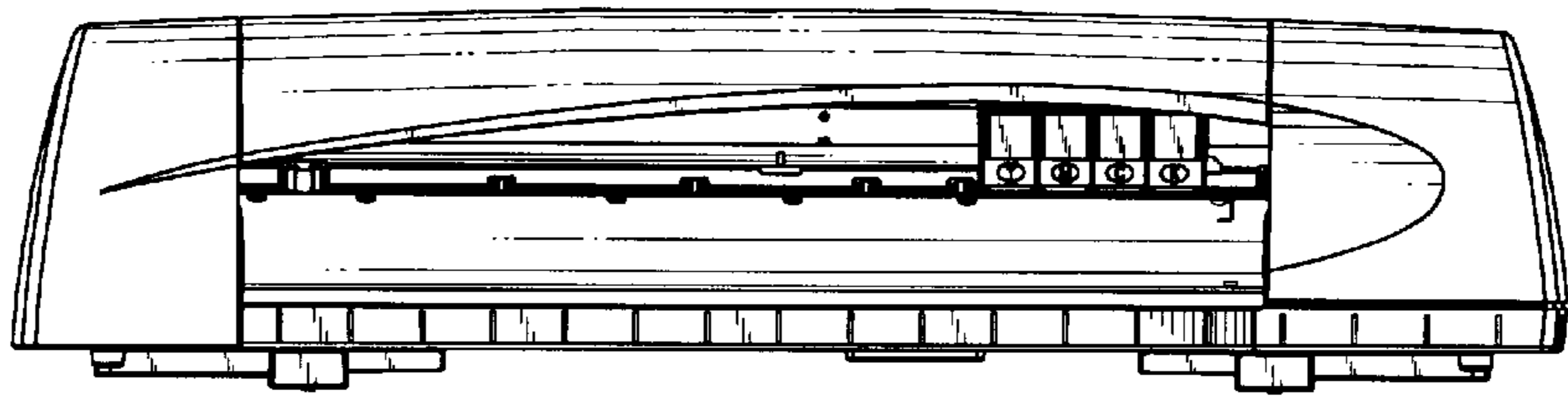


FIG. 1

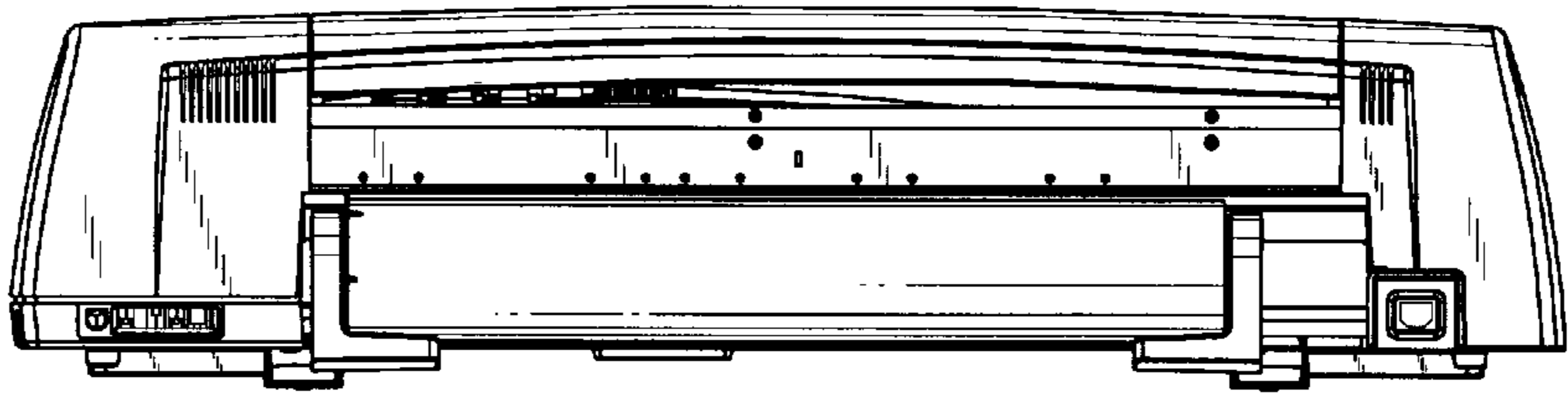


FIG. 2

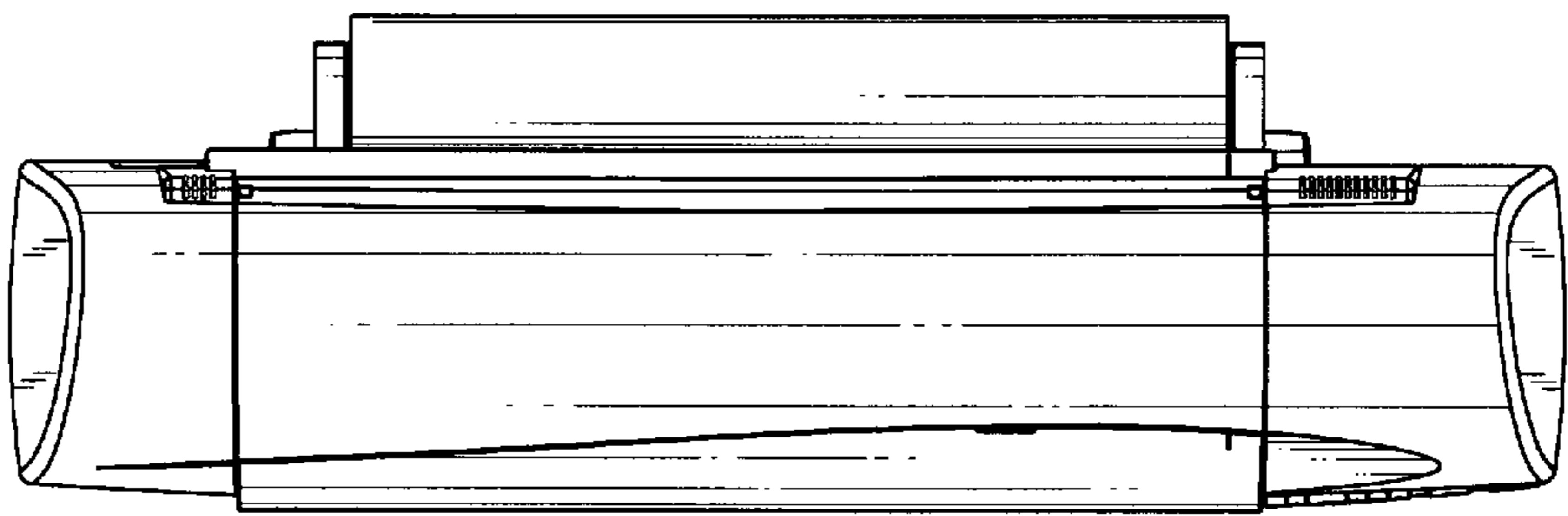


FIG. 3

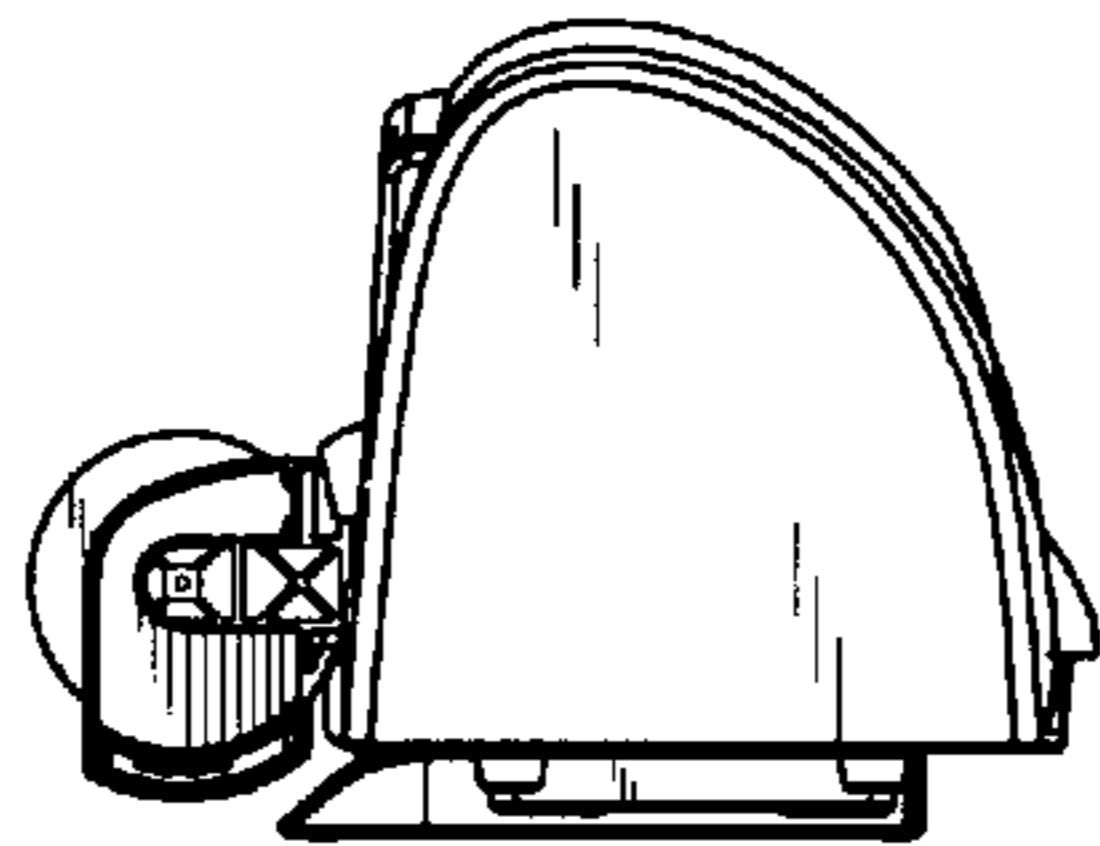


FIG. 4

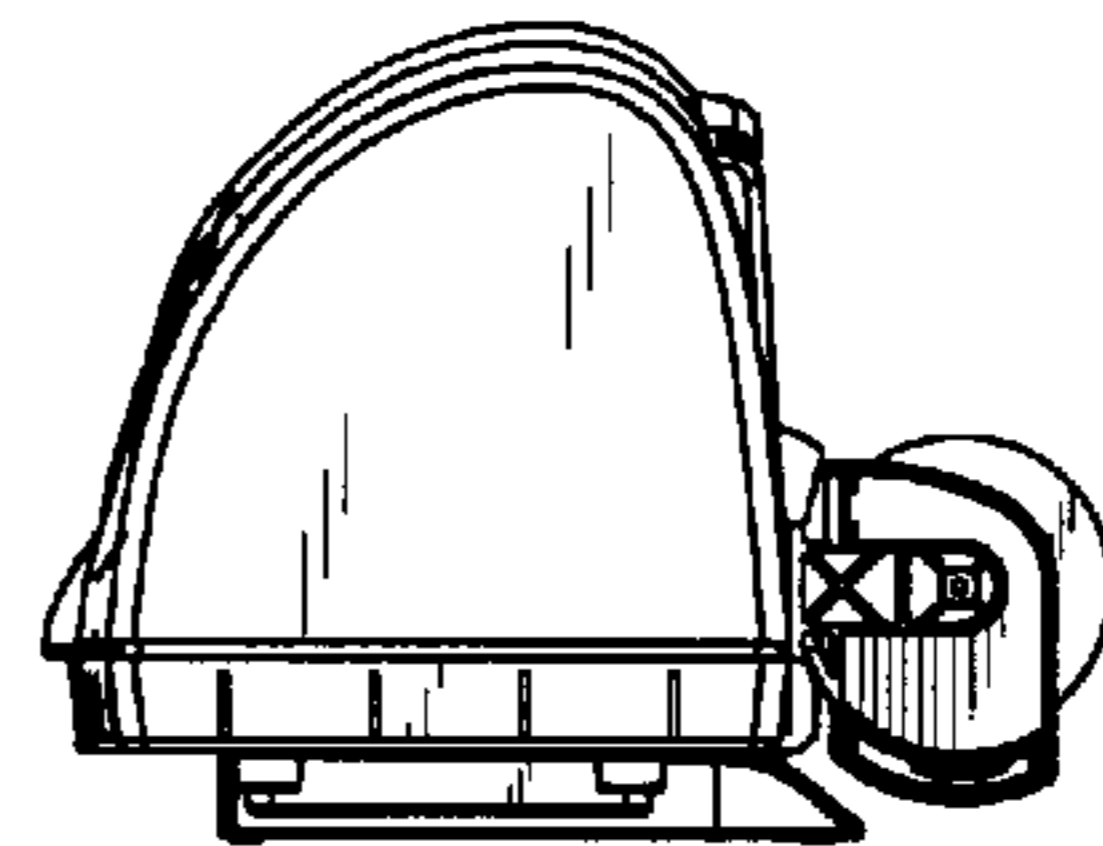


FIG. 5

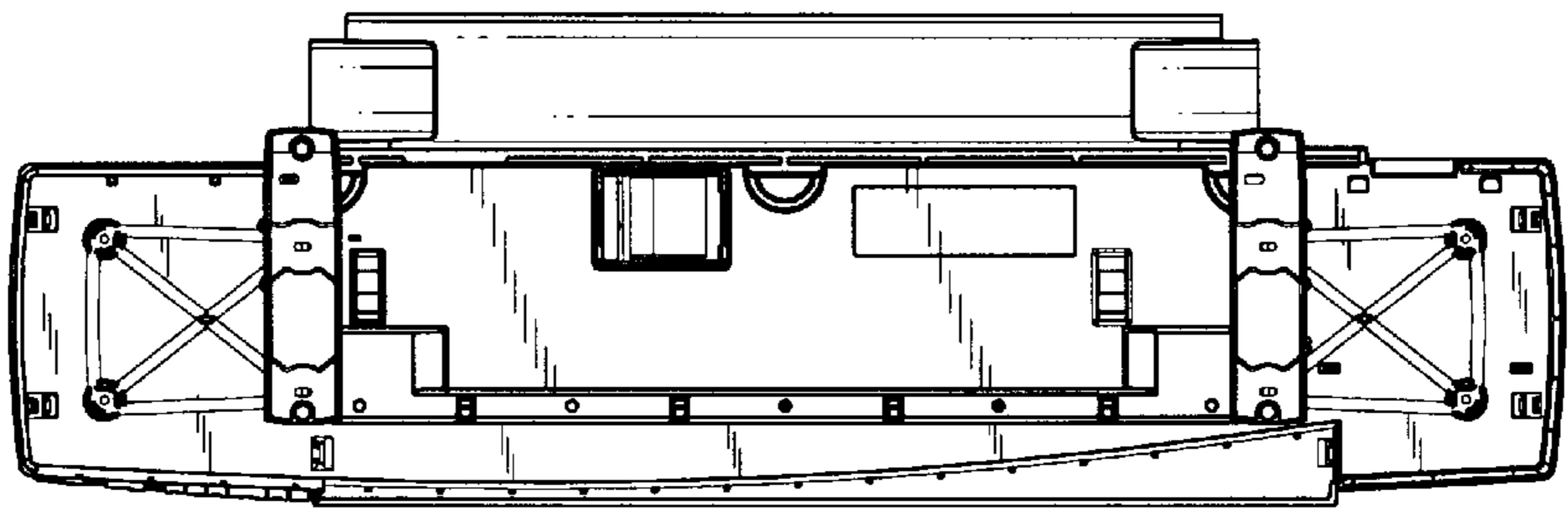


FIG. 6

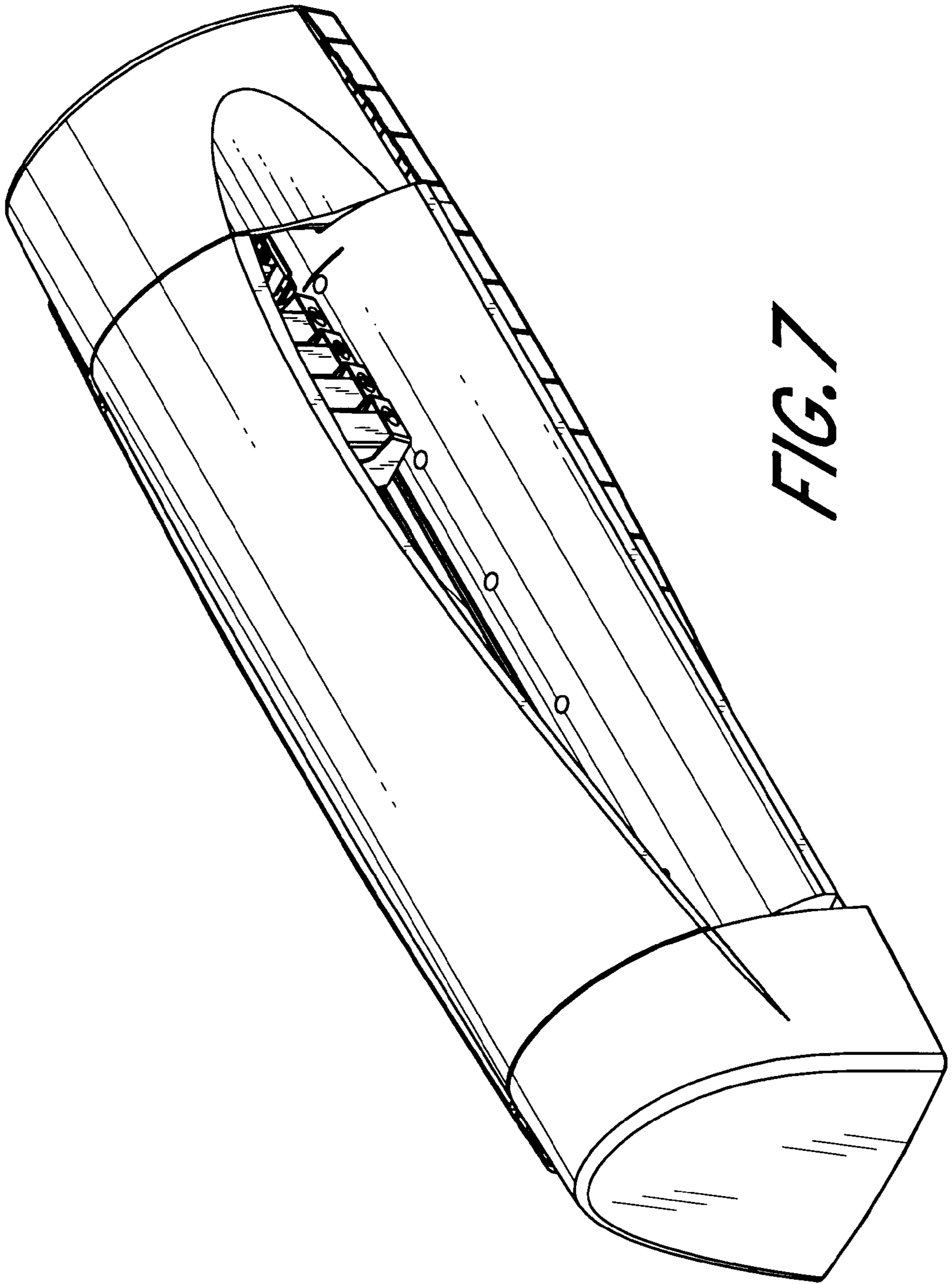


FIG. 7

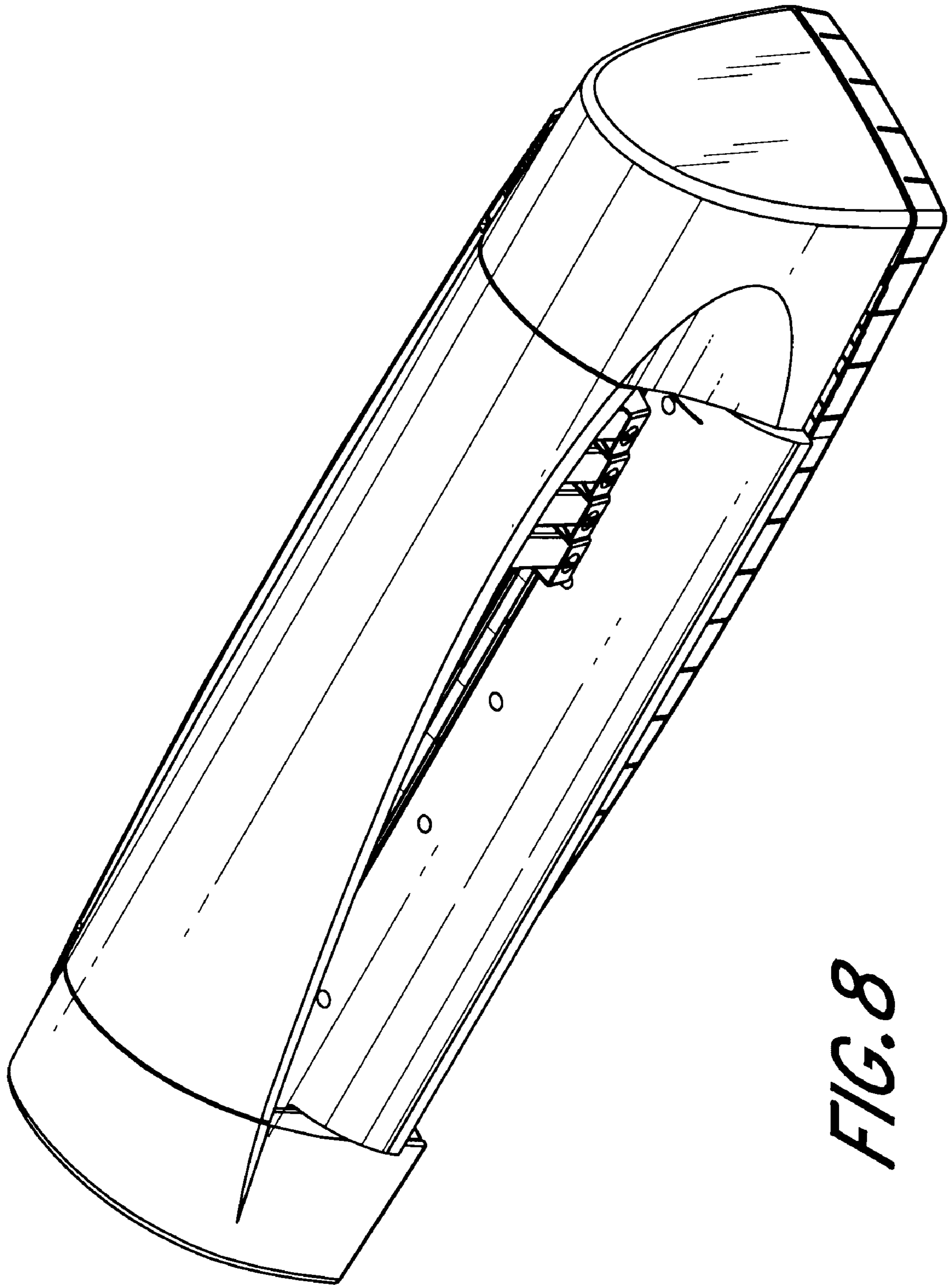


FIG. 8