



US00D412007S

**United States Patent** [19]  
**O’Keeffe et al.**

[11] **Patent Number: Des. 412,007**  
[45] **Date of Patent: \*\* Jul. 13, 1999**

[54] **MASKING PANEL**

[75] Inventors: **Donal M O’Keeffe**, Parteen; **Oliver St. Clair Hood**, Ballsbridge, both of Ireland

[73] Assignee: **Viewlight Systems Limited**, Limerick, Ireland

[\*\*] Term: **14 Years**

[21] Appl. No.: **29/086,372**

[22] Filed: **Apr. 10, 1998**

[30] **Foreign Application Priority Data**

Oct. 10, 1997 [IE] Ireland ..... 406/97

[51] **LOC (6) Cl.** ..... **16-02**

[52] **U.S. Cl.** ..... **D16/236; D16/235**

[58] **Field of Search** ..... D6/300, 302, 308, D6/310, 311, 312; D16/221, 225, 232, 235, 236; 40/700, 701, 702, 768, 771; 353/119, 120, 122, DIG. 3, DIG. 4, DIG. 5

[56] **References Cited**

**U.S. PATENT DOCUMENTS**

- D. 256,023 7/1980 Constantine et al. .... D16/236
- D. 273,959 5/1984 Vandyken, Jr. .... D16/236
- D. 364,395 11/1995 Uratani et al. .... D16/235

- D. 379,362 5/1997 Marfori et al. .... D16/236
- 5,162,827 11/1992 Marshall ..... 353/120

*Primary Examiner*—Adir Aronovich  
*Attorney, Agent, or Firm*—Sughrue, Mion, Zinn, Macpeak & Seas, PLLC

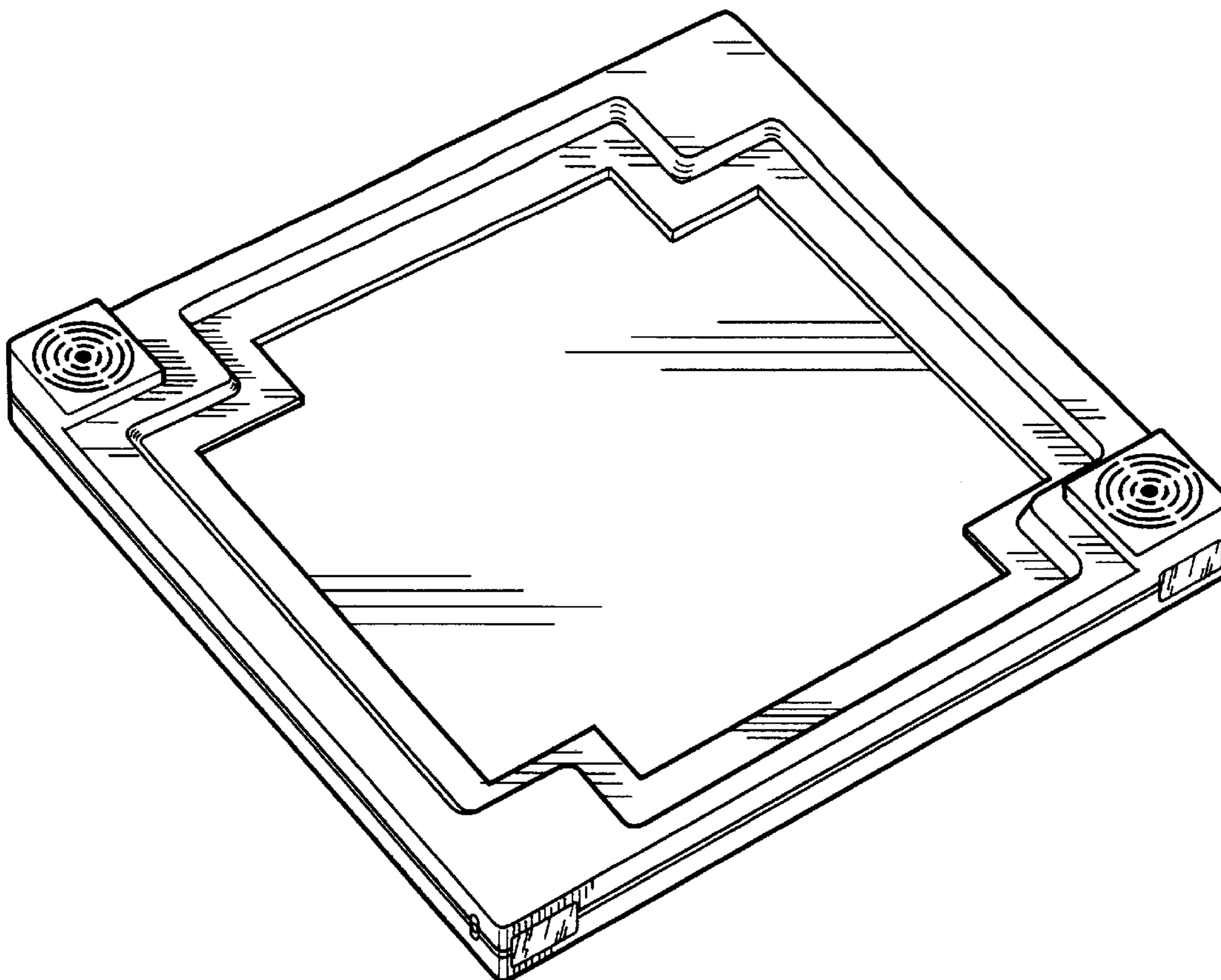
[57] **CLAIM**

The ornamental design for a masking panel, as shown and described.

**DESCRIPTION**

FIG. 1 is a top perspective view from the front and one side of the masking panel according to the design,  
 FIG. 2 is a bottom perspective view from the rear and the other side of the masking panel of FIG. 1,  
 FIG. 3 is a top plan view of the masking panel of FIG. 1,  
 FIG. 4 is a bottom plan view of the masking panel of FIG. 1,  
 FIG. 5 is a front elevational view of the masking panel of FIG. 1,  
 FIG. 6 is a rear elevational view of the masking panel of FIG. 1,  
 FIG. 7 is a side elevational view of the masking panel of FIG. 1 from one side thereof; and,  
 FIG. 8 is a side elevational view of the masking panel of FIG. 1 from the other side thereof.

**1 Claim, 3 Drawing Sheets**



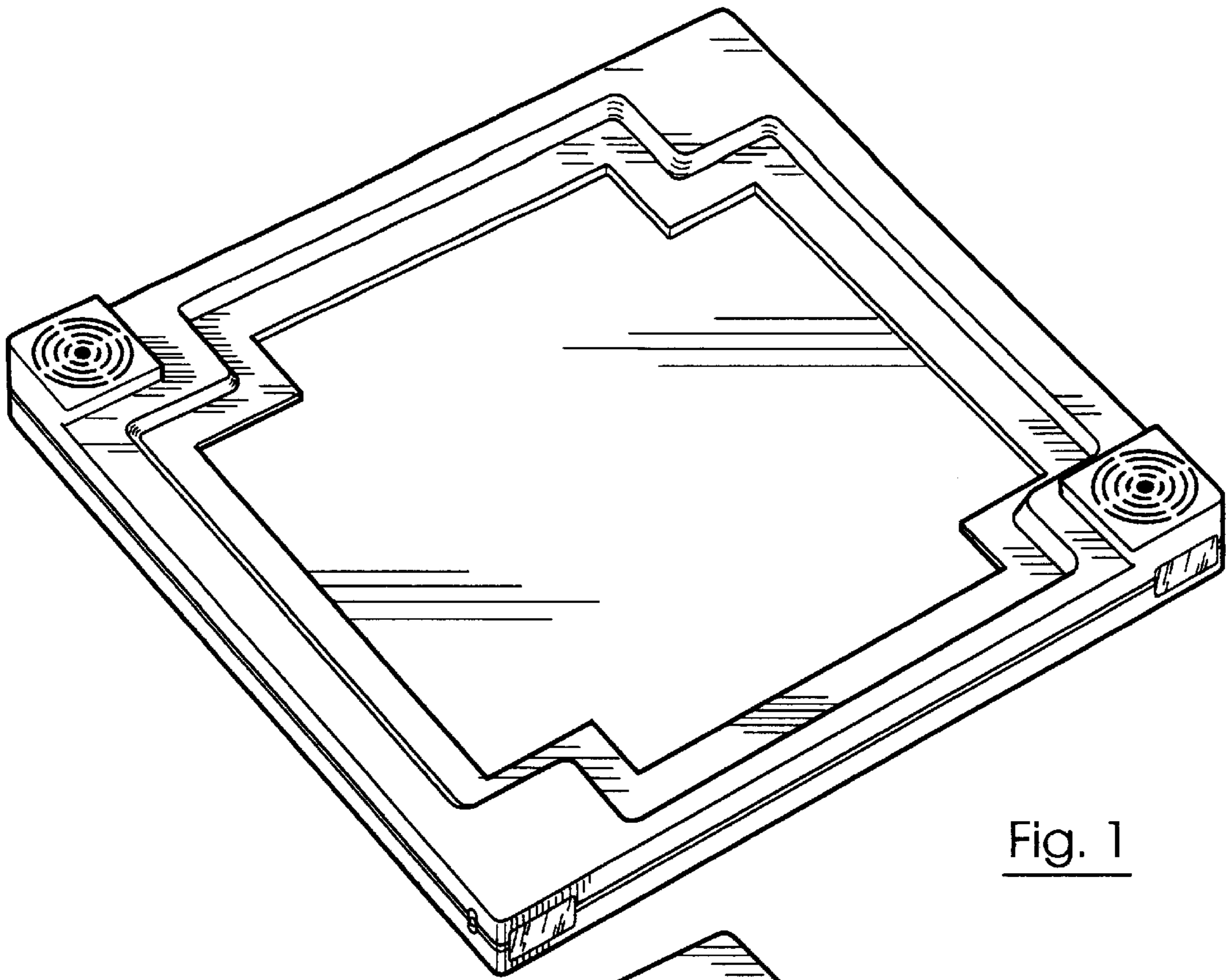


Fig. 1

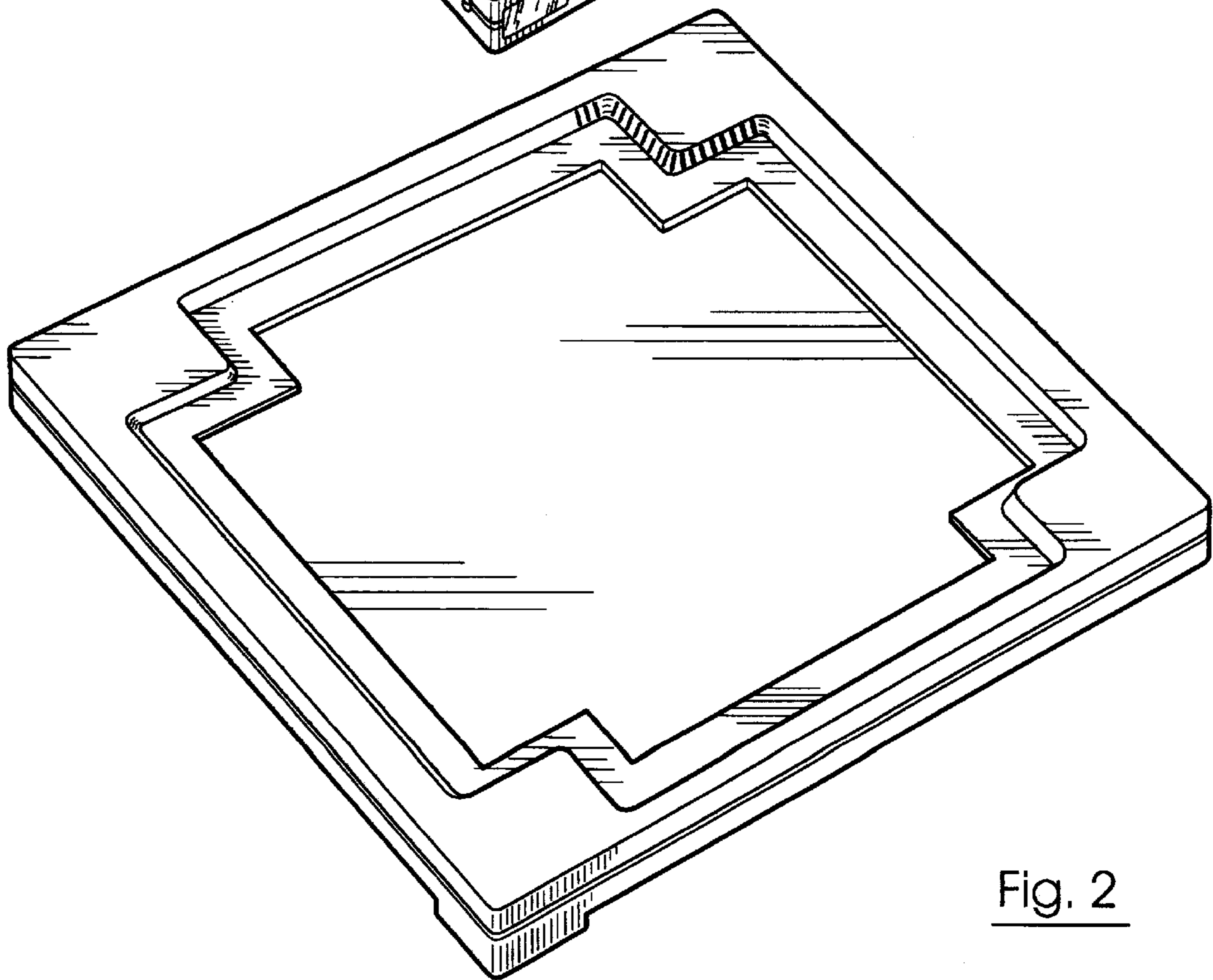


Fig. 2

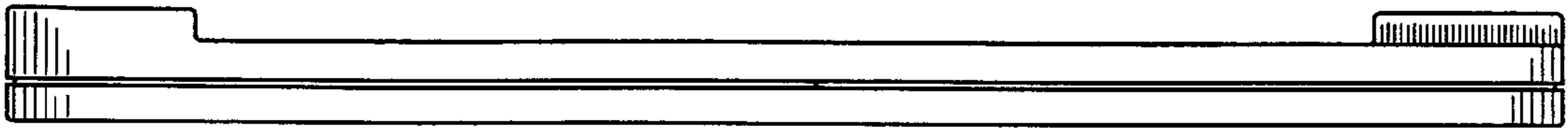


Fig. 6

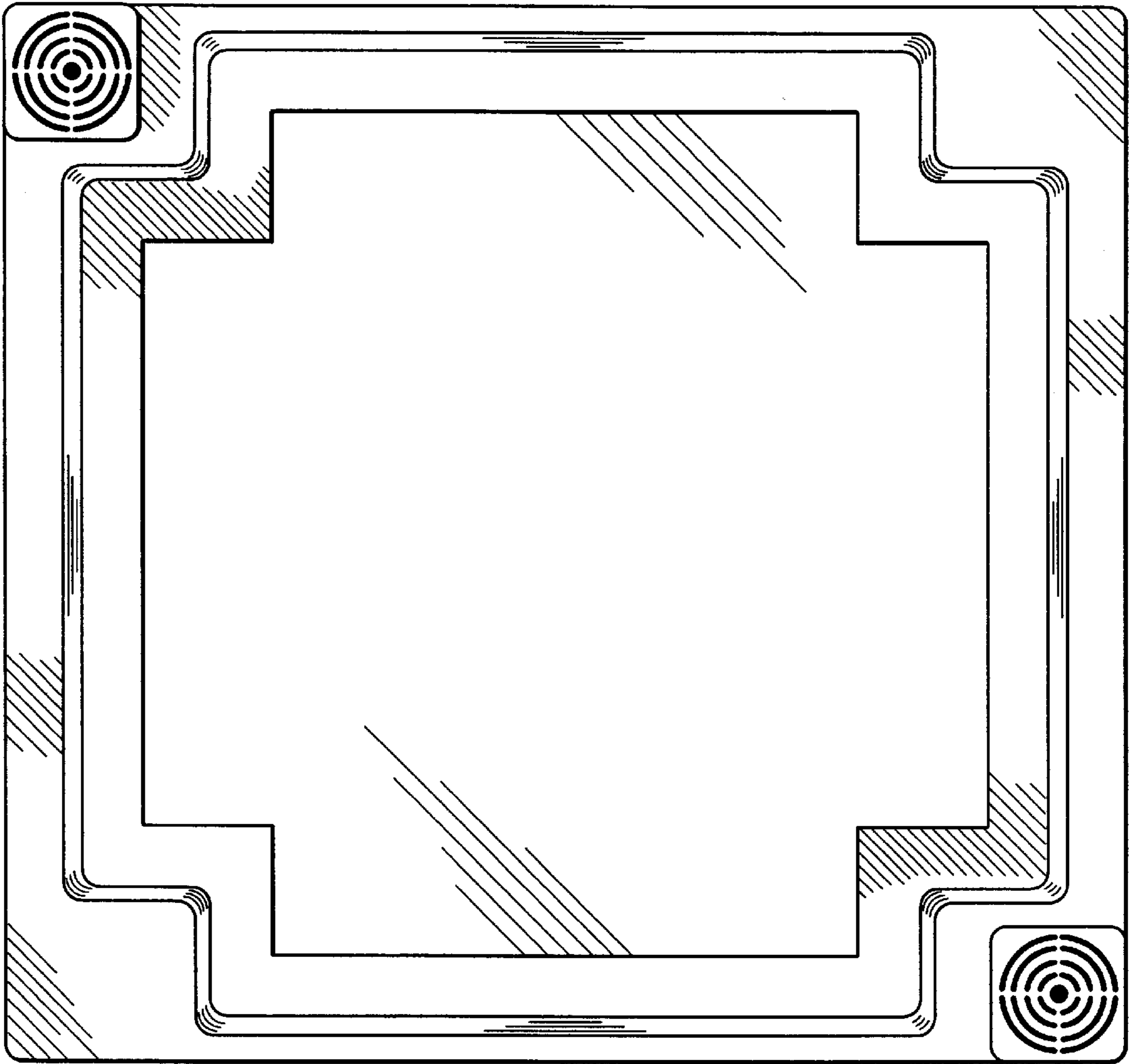


Fig. 3



Fig. 5

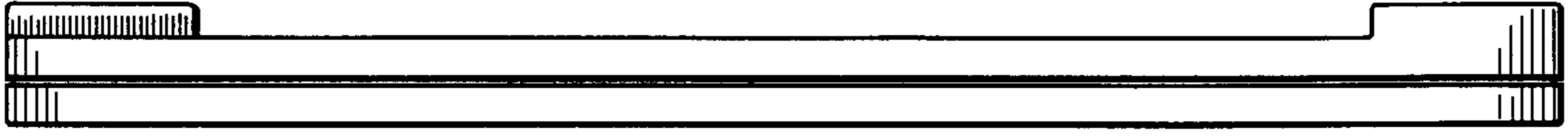


Fig. 8

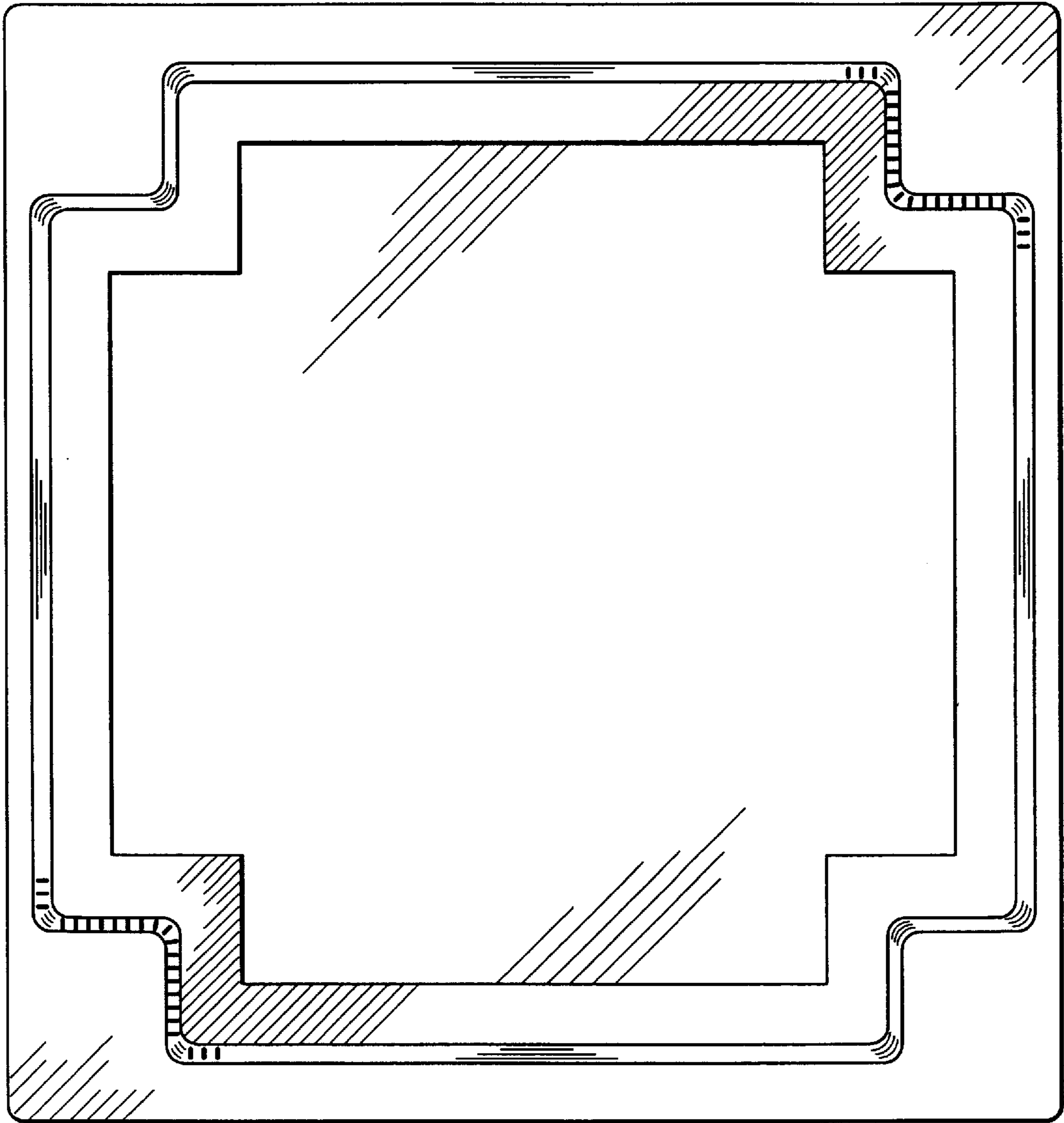


Fig. 4



Fig. 7