



US00D412005S

United States Patent [19] Matsushita

[11] **Patent Number: Des. 412,005**
[45] **Date of Patent: ** Jul. 13, 1999**

[54] **DIGITAL CAMERA BODY**
[75] Inventor: **Takeshi Matsushita**, Tokyo, Japan
[73] Assignee: **Asahi Kogaku Kogyo K.K.**, Tokyo, Japan
[**] Term: **14 Years**
[21] Appl. No.: **29/090,468**
[22] Filed: **Jul. 9, 1998**

D. 386,775 11/1997 Shiotani et al. D16/218
D. 388,810 1/1998 Yoshida D16/218
D. 399,861 10/1998 Nihei D16/209
D. 400,550 11/1998 Inaba D16/209
4,980,707 12/1990 Gell, Jr. 396/26

Primary Examiner—Adir Aronovich
Attorney, Agent, or Firm—Sughrue, Mion, Zinn, Macpeak & Seas, PLLC

Related U.S. Application Data

[30] Foreign Application Priority Data

Jan. 12, 1998 [JP] Japan 10-520

[51] **LOC (6) Cl.** **16-01**

[52] **U.S. Cl.** **D16/209; D16/200; D16/218**

[58] **Field of Search** **D16/200–205, D16/208, 209, 211, 216, 217, 218; 396/25–29, 176–178, 535–543**

[56] References Cited

U.S. PATENT DOCUMENTS

D. 372,724 8/1996 Funato et al. D16/217

[57] CLAIM

The ornamental design for a digital camera body, as shown and described.

DESCRIPTION

FIG. 1 is a perspective view of the top, front and right side of a digital camera body showing my new design;
FIG. 2 is a front elevational view thereof;
FIG. 3 is a top plan view thereof;
FIG. 4 is a left side elevational view thereof;
FIG. 5 is a right side elevational view thereof;
FIG. 6 is a rear elevational view thereof;
FIG. 7 is a bottom plan view thereof; and,
FIG. 8 is a view similar to FIG. 1 with a flash attached.

1 Claim, 4 Drawing Sheets

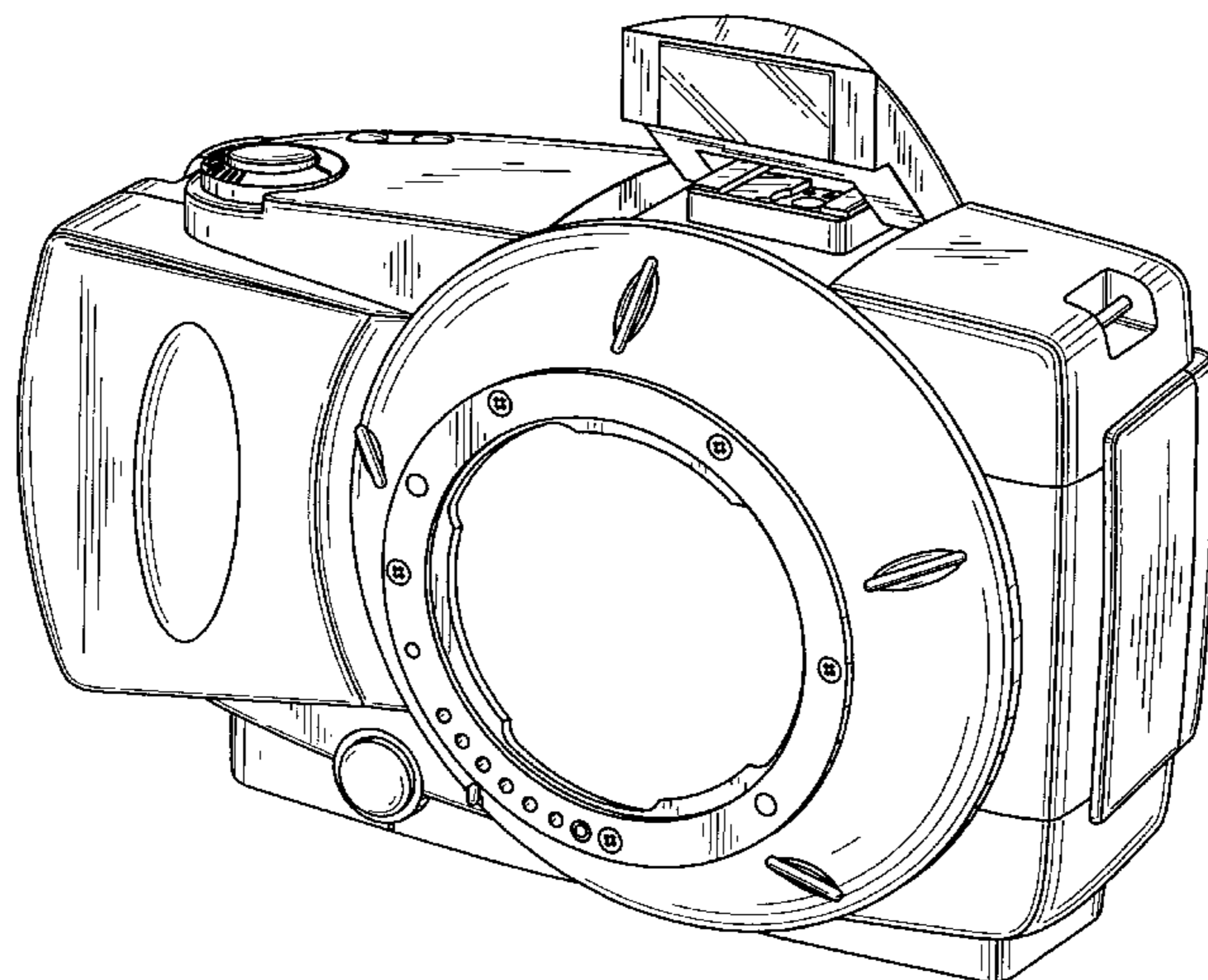
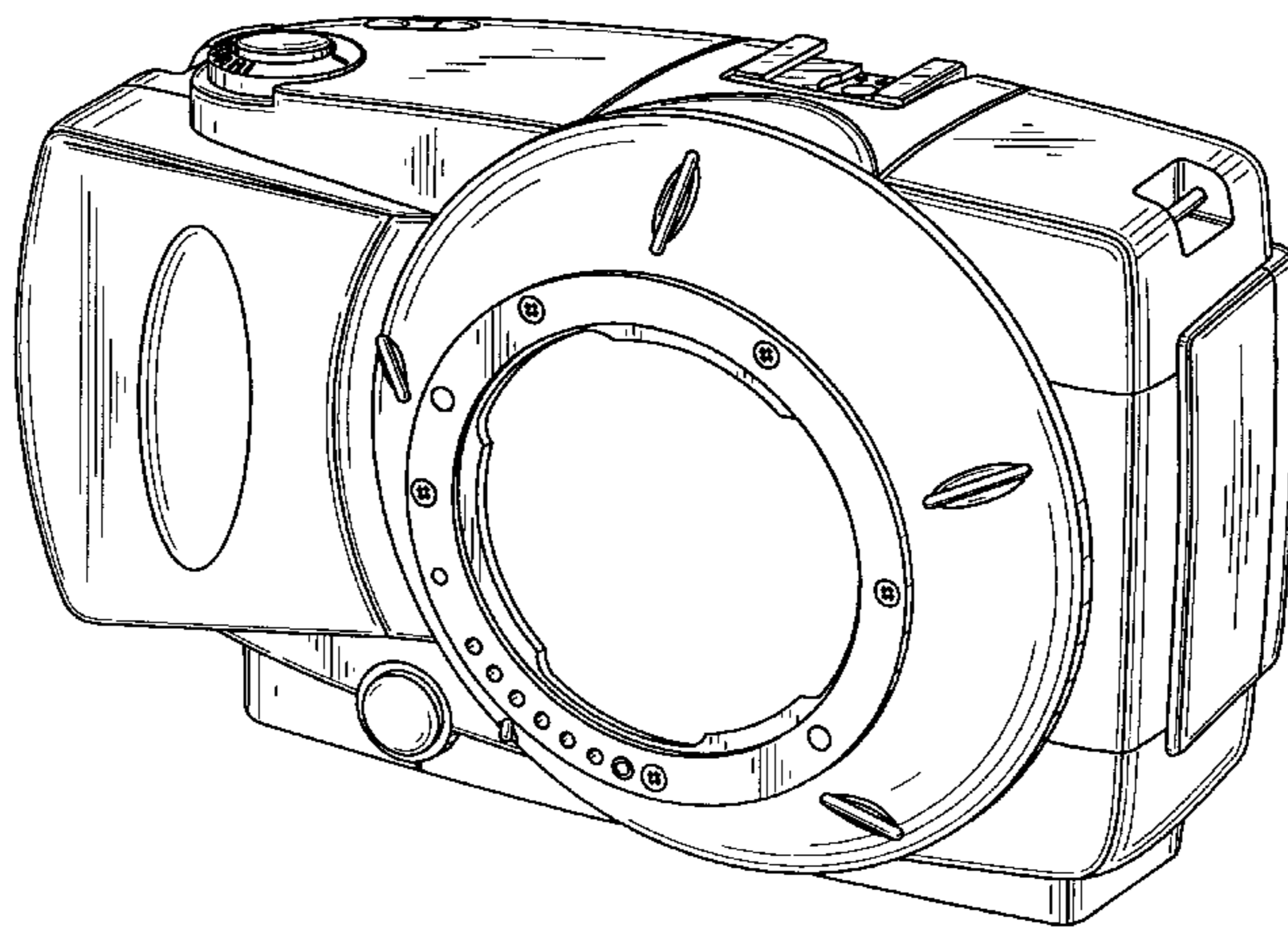


FIG. 1

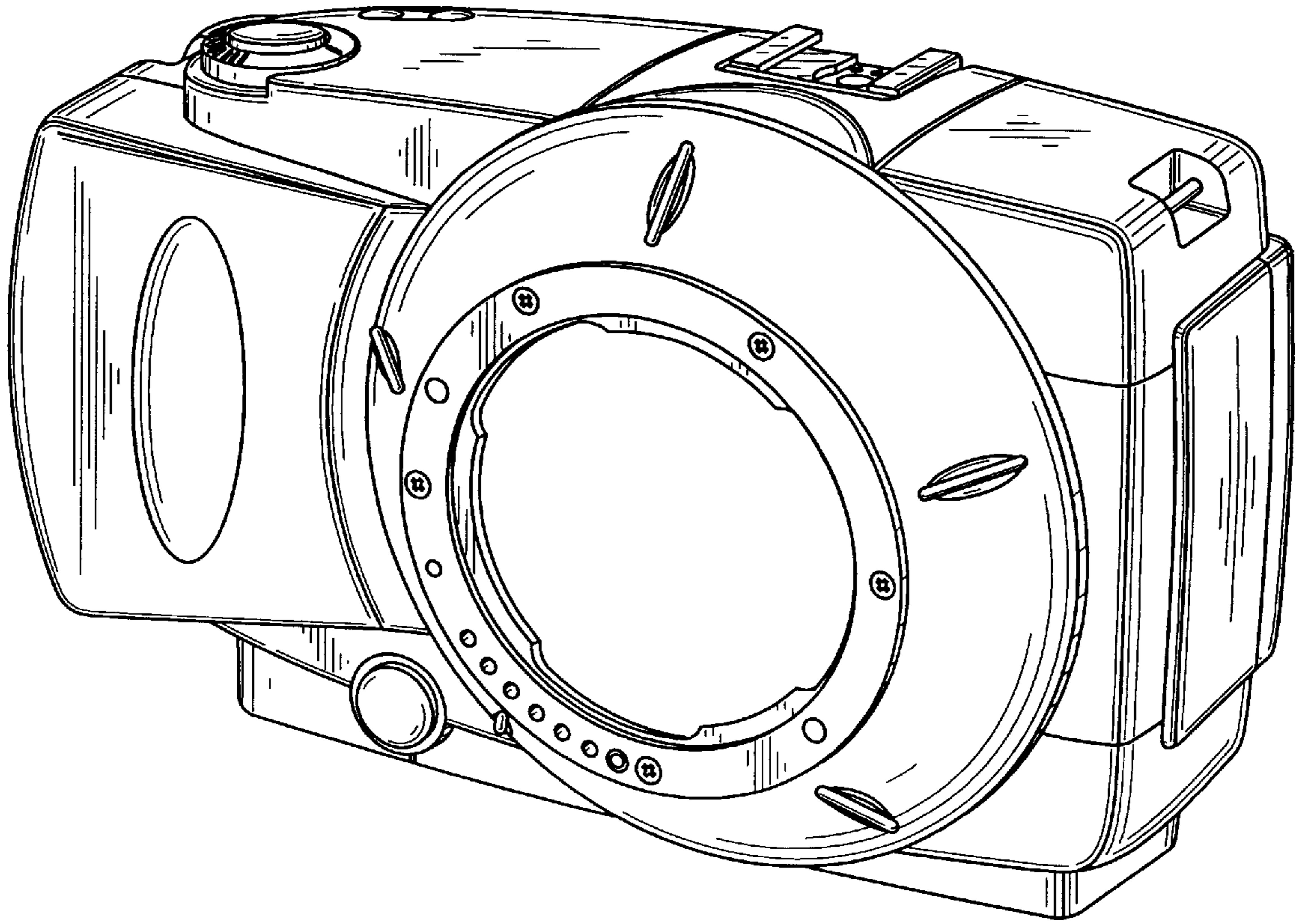


FIG. 2

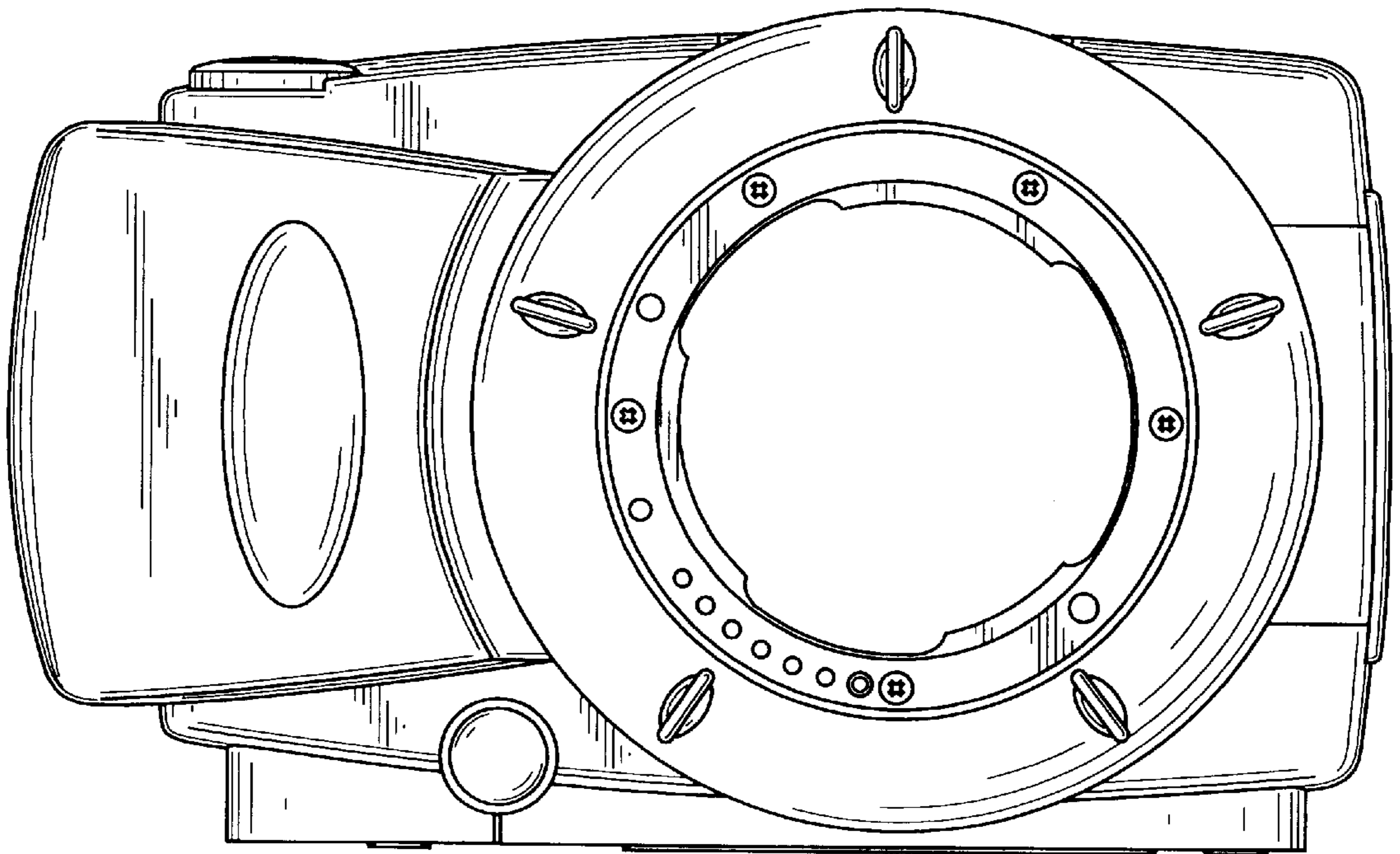


FIG. 3

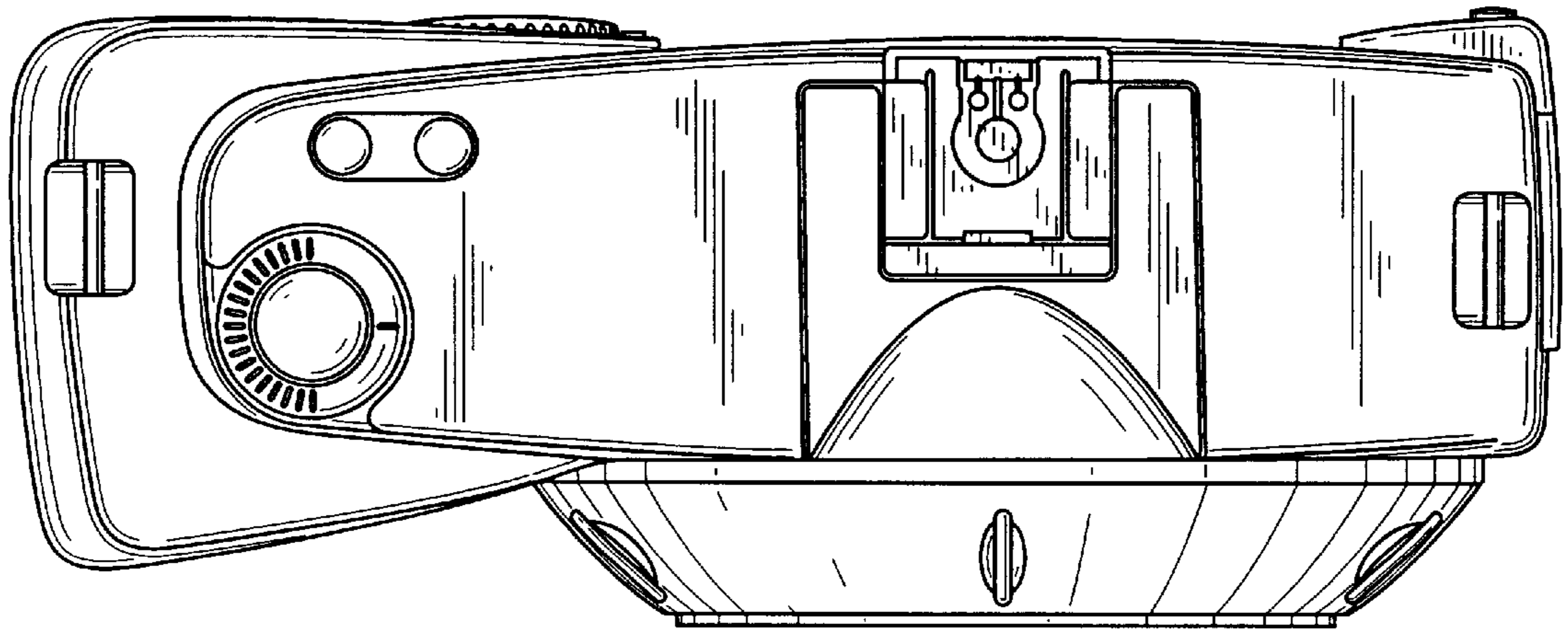


FIG. 4

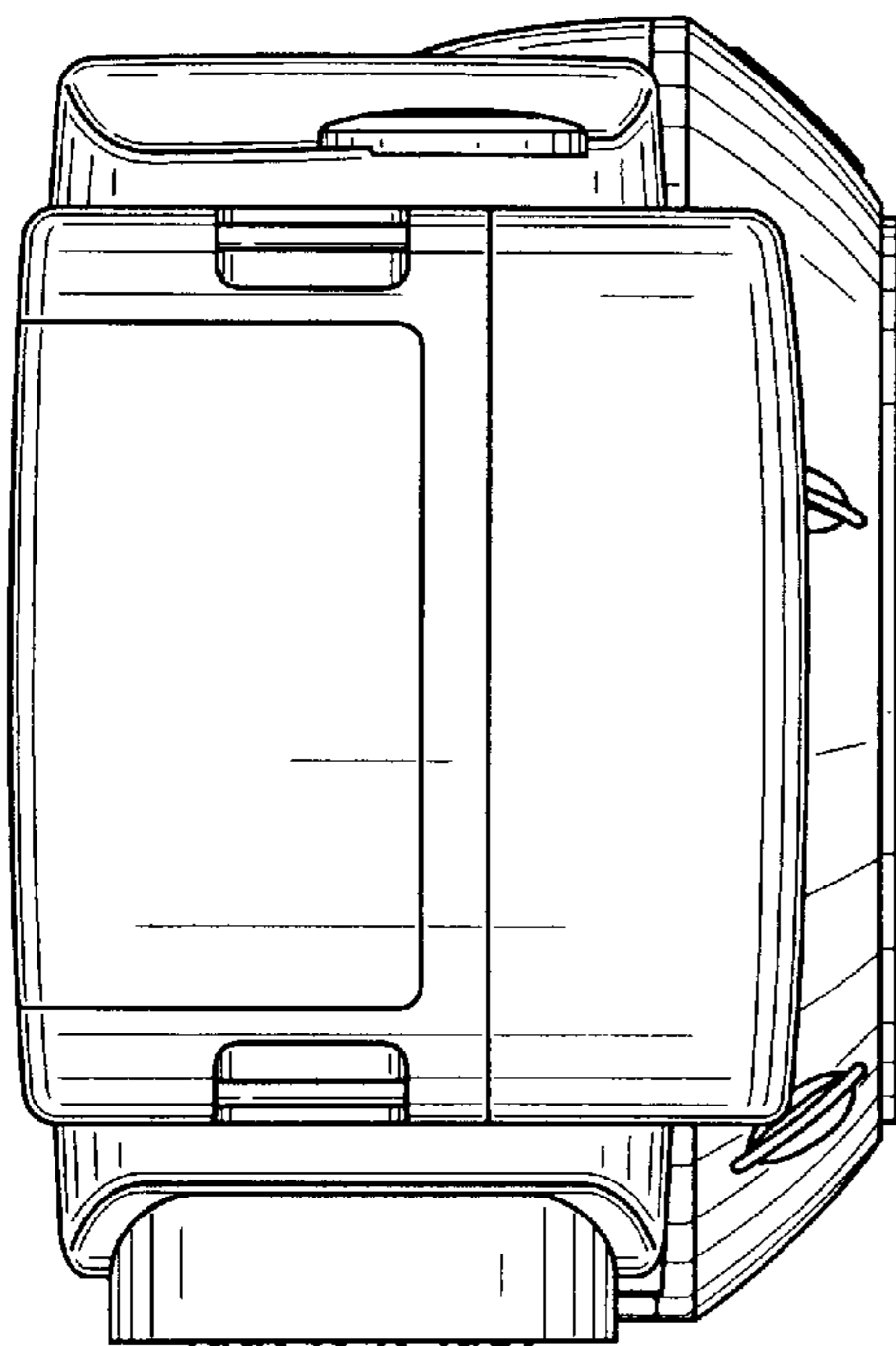


FIG. 5

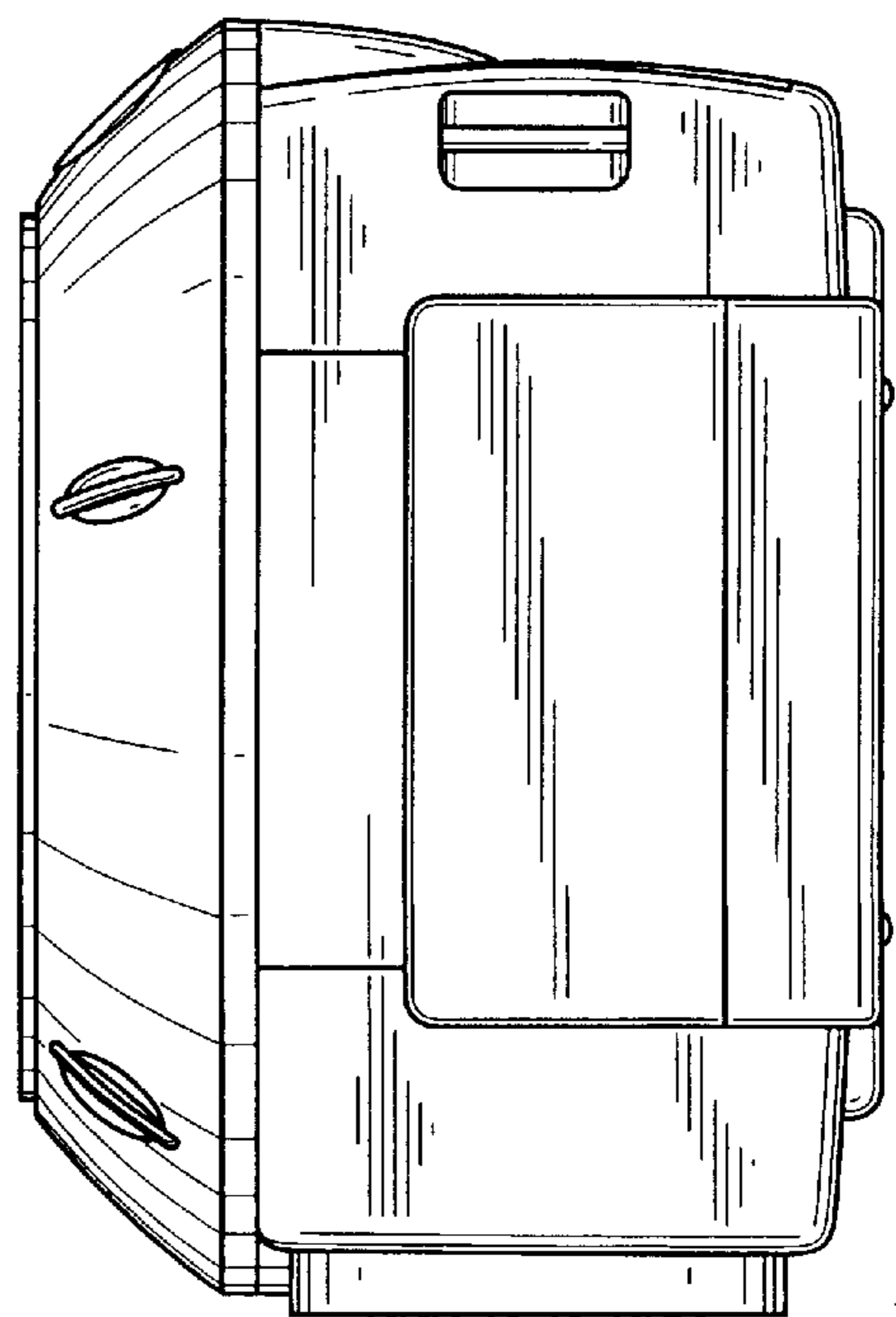


FIG. 6

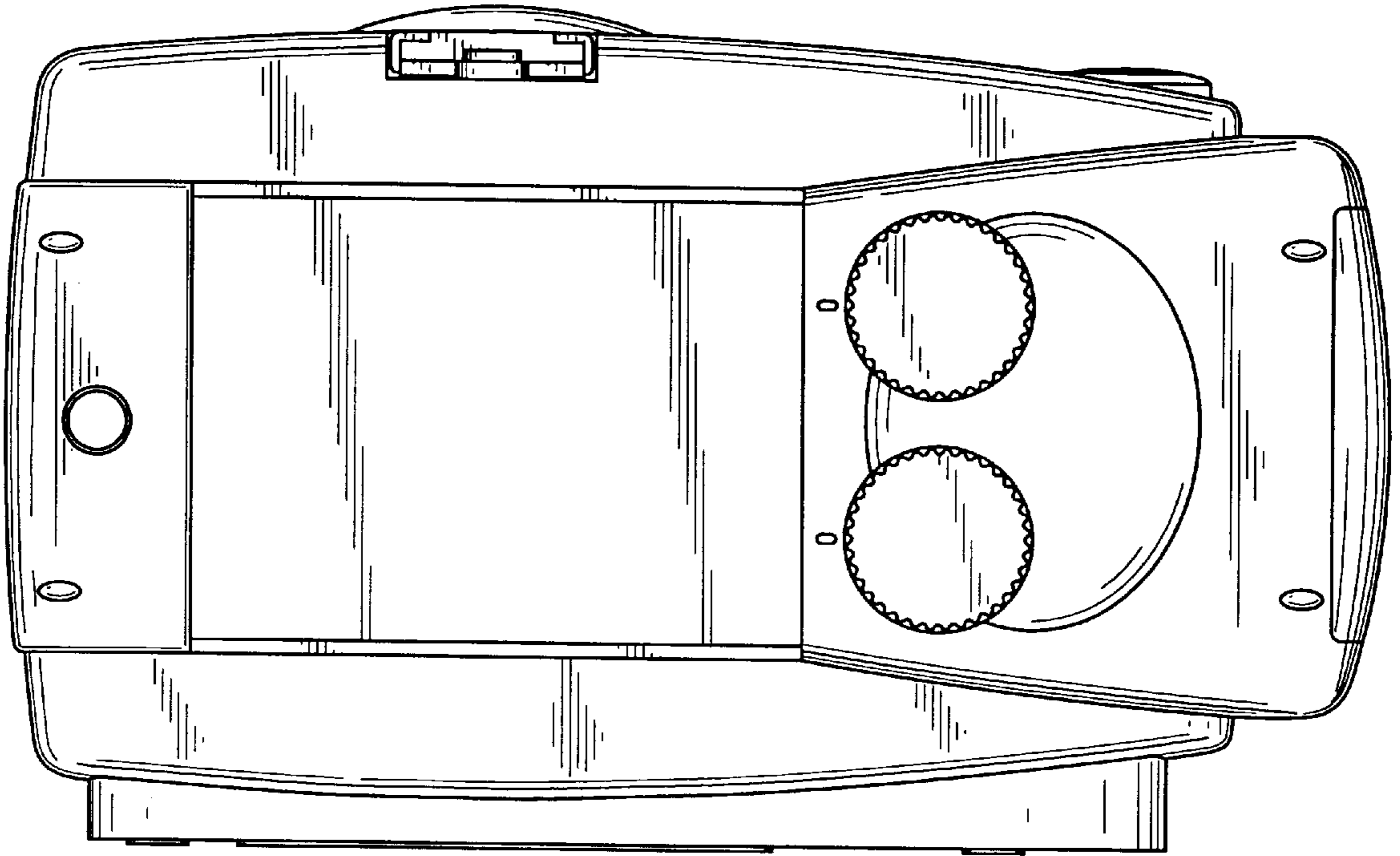


FIG. 7

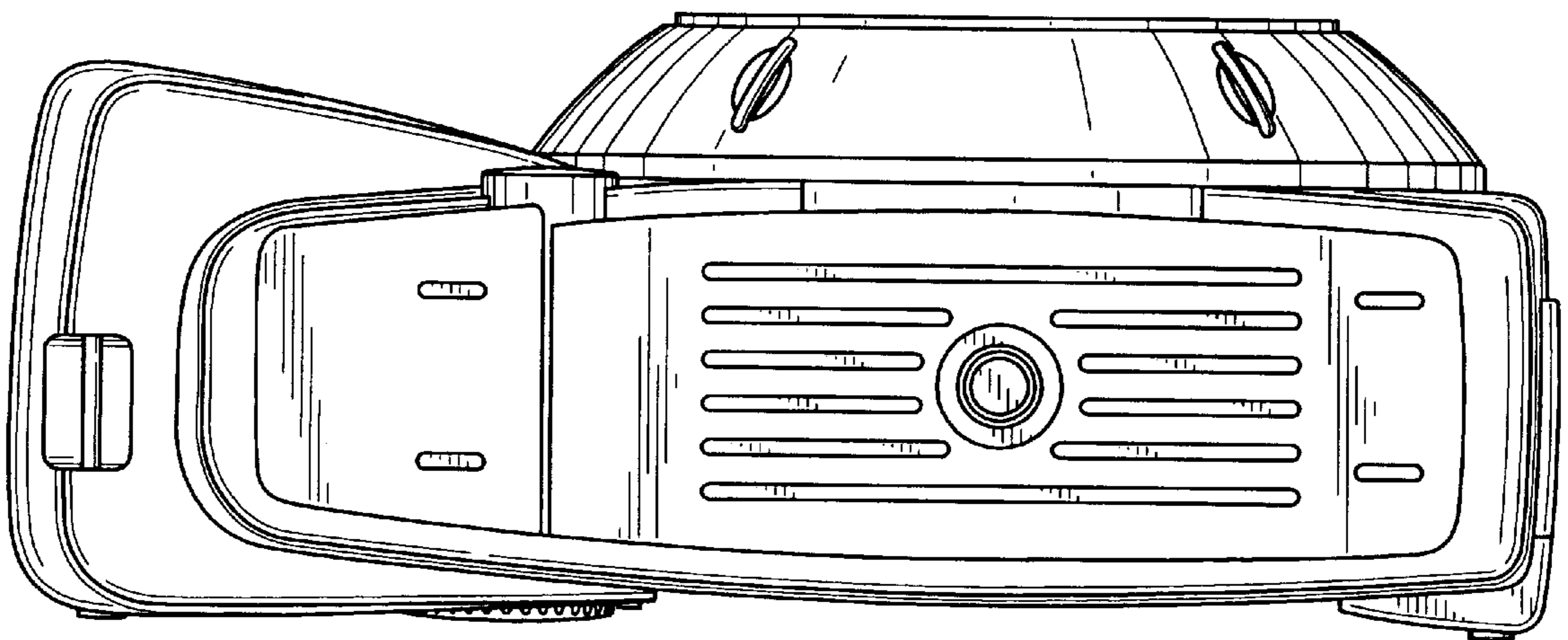


FIG. 8

