



US00D412004S

United States Patent [19] Hamamura

[11] Patent Number: Des. 412,004

[45] Date of Patent: ** Jul. 13, 1999

[54] 35MM CAMERA

[75] Inventor: Toshihiro Hamamura, Saitama, Japan

[73] Assignee: Asahi Kogaku Kogyo Kabushiki Kaisha, Tokyo, Japan

[**] Term: 14 Years

[21] Appl. No.: 29/089,212

[22] Filed: Jun. 10, 1998

[30] Foreign Application Priority Data

Dec. 12, 1997 [JP] Japan 9-78251

[51] LOC (6) Cl. 16-01

[52] U.S. Cl. D16/209; D16/218

[58] Field of Search D16/200-209,
D16/216-218; 396/60, 84, 535-543

[56] References Cited

U.S. PATENT DOCUMENTS

| | | | |
|------------|--------|-----------------------|---------|
| D. 336,310 | 6/1993 | Fukushima et al. | D16/209 |
| D. 342,963 | 1/1994 | Isozaki | D16/209 |
| D. 359,298 | 6/1995 | Matsuda | D16/209 |
| D. 371,375 | 7/1996 | Hayashi | D16/209 |

| | | | |
|------------|---------|-----------------------|---------|
| D. 377,035 | 12/1996 | Hayashi | D16/218 |
| 4,924,248 | 5/1990 | Taniguchi et al. | 396/60 |
| 4,990,945 | 2/1991 | Cho et al. | 396/84 |

Primary Examiner—Adir Aronovich
Attorney, Agent, or Firm—Sughrue, Mion, Zinn, Macpeak & Seas, PLLC

[57] CLAIM

The ornamental design for a 35mm camera, as shown and described.

DESCRIPTION

FIG. 1 is a perspective view of the top, front and left side of a 35mm camera showing my new design; FIG. 2 is a front elevational view thereof; FIG. 3 is a top plan view thereof; FIG. 4 is a left side elevational view thereof; FIG. 5 is a right side elevational view thereof; FIG. 6 is a rear elevational view thereof; FIG. 7 is a bottom plan view thereof; FIG. 8 is a perspective view similar to FIG. 1 with the lens cover open and the lens partially extended; and, FIG. 9 is a perspective view similar to FIG. 1 with the lens cover open and the lens fully extended.

1 Claim, 4 Drawing Sheets

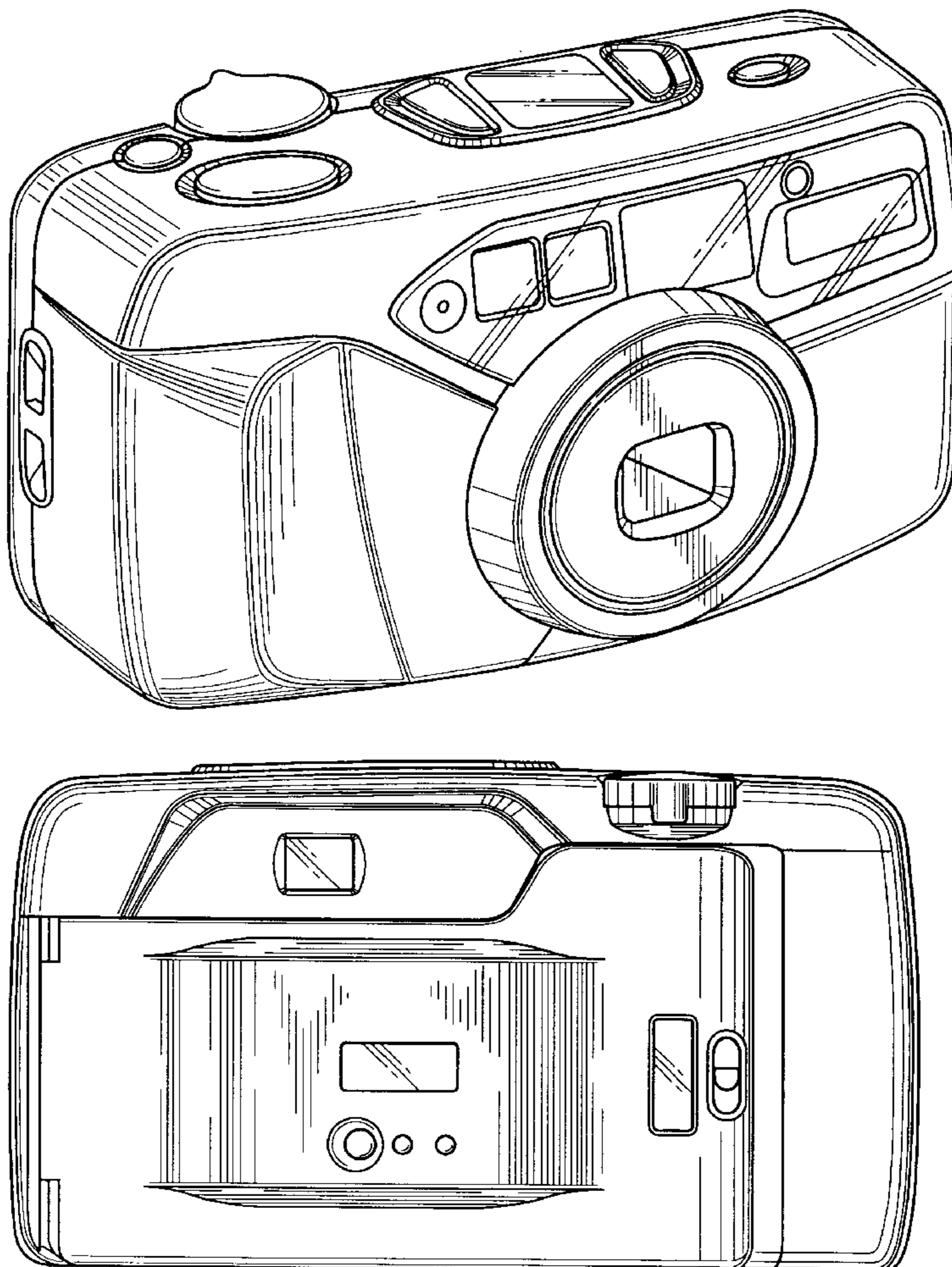


FIG. 1

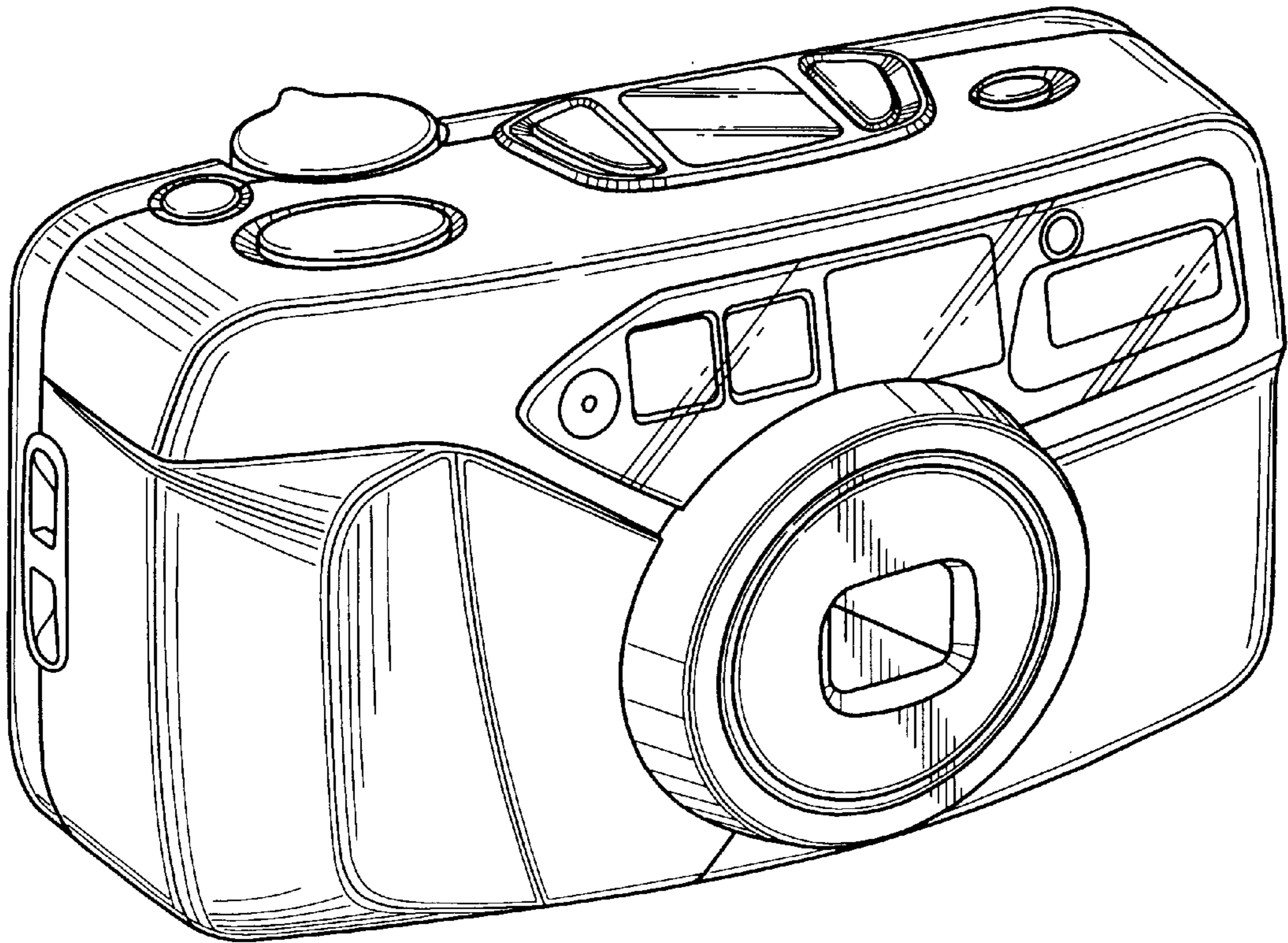


FIG. 2

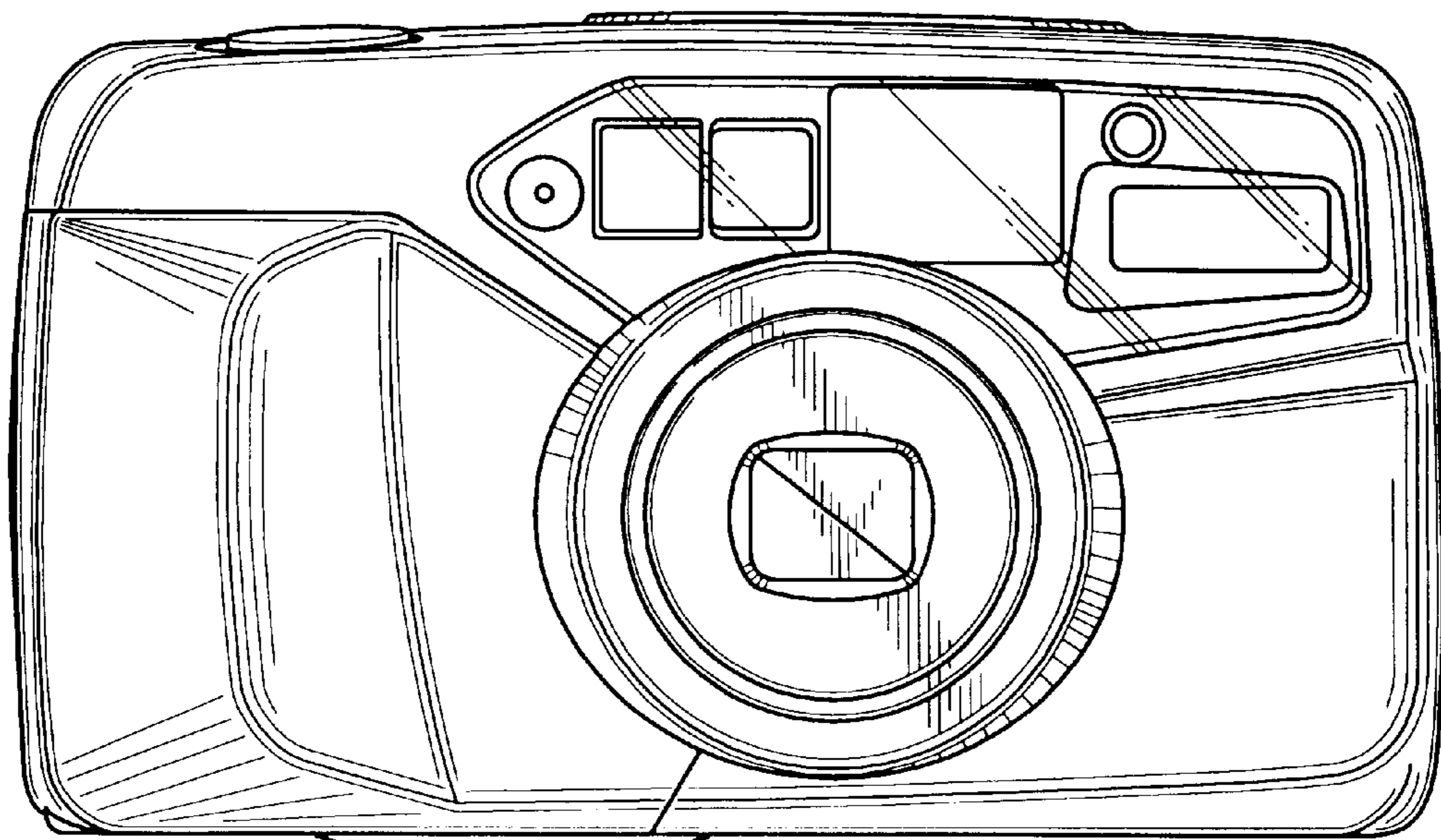


FIG. 3

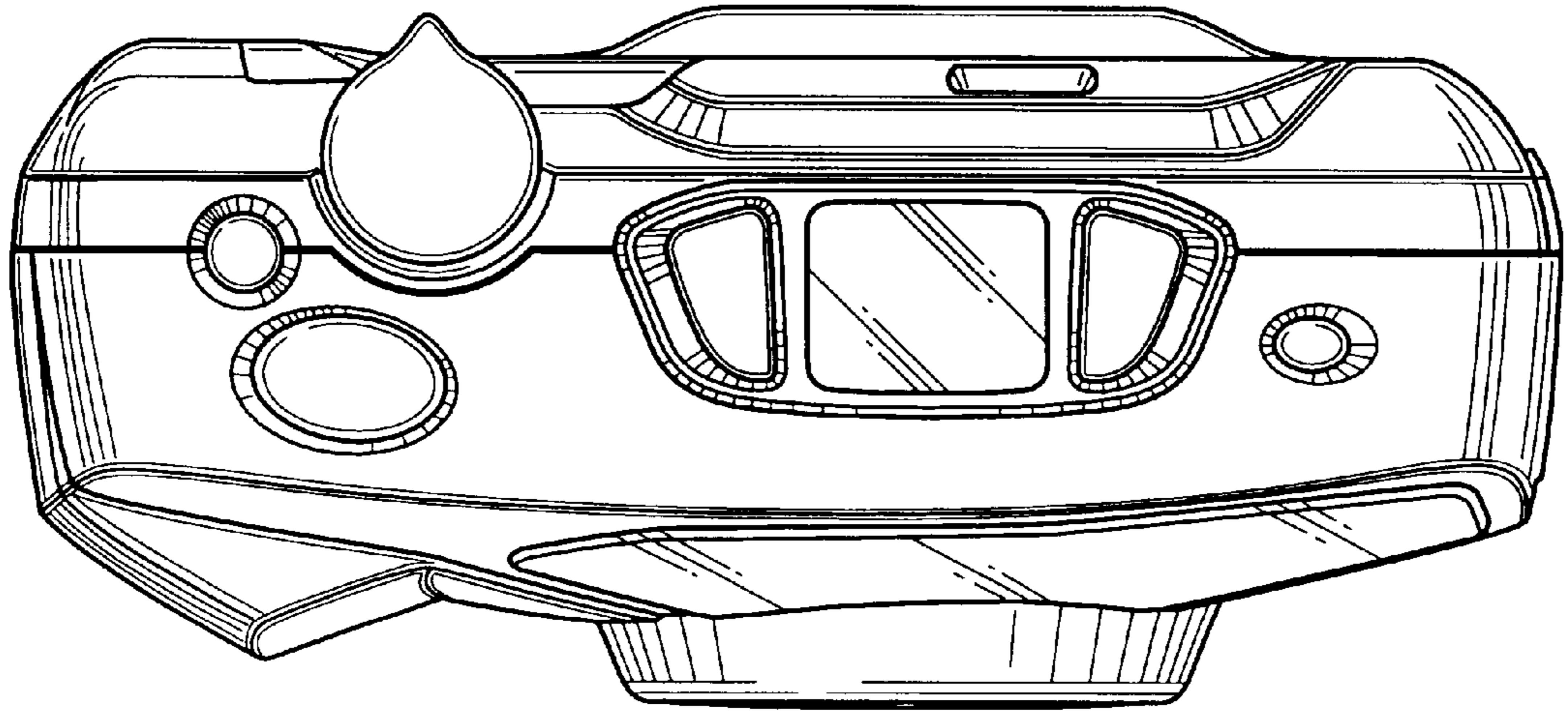


FIG. 4

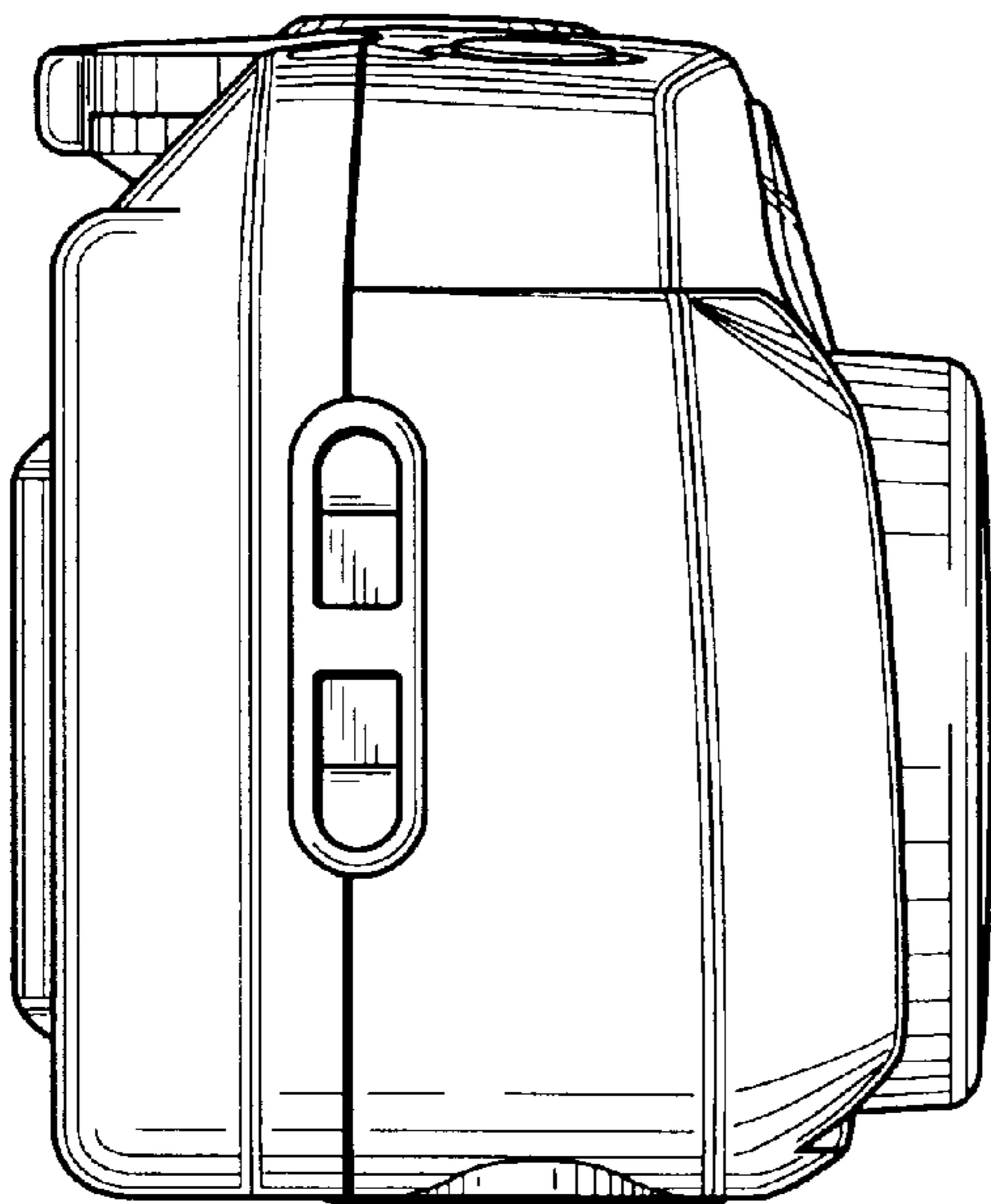


FIG. 5

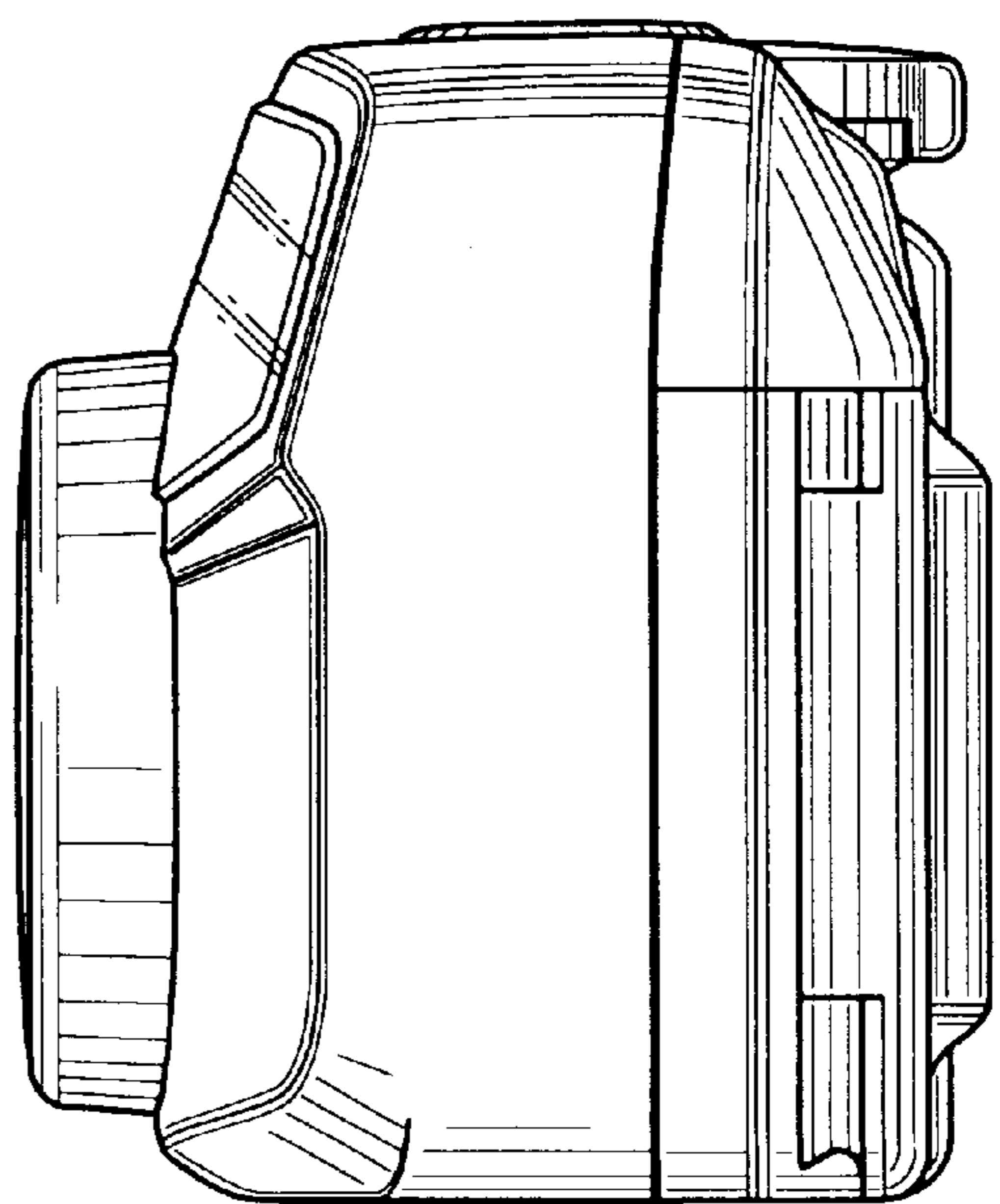


FIG. 6

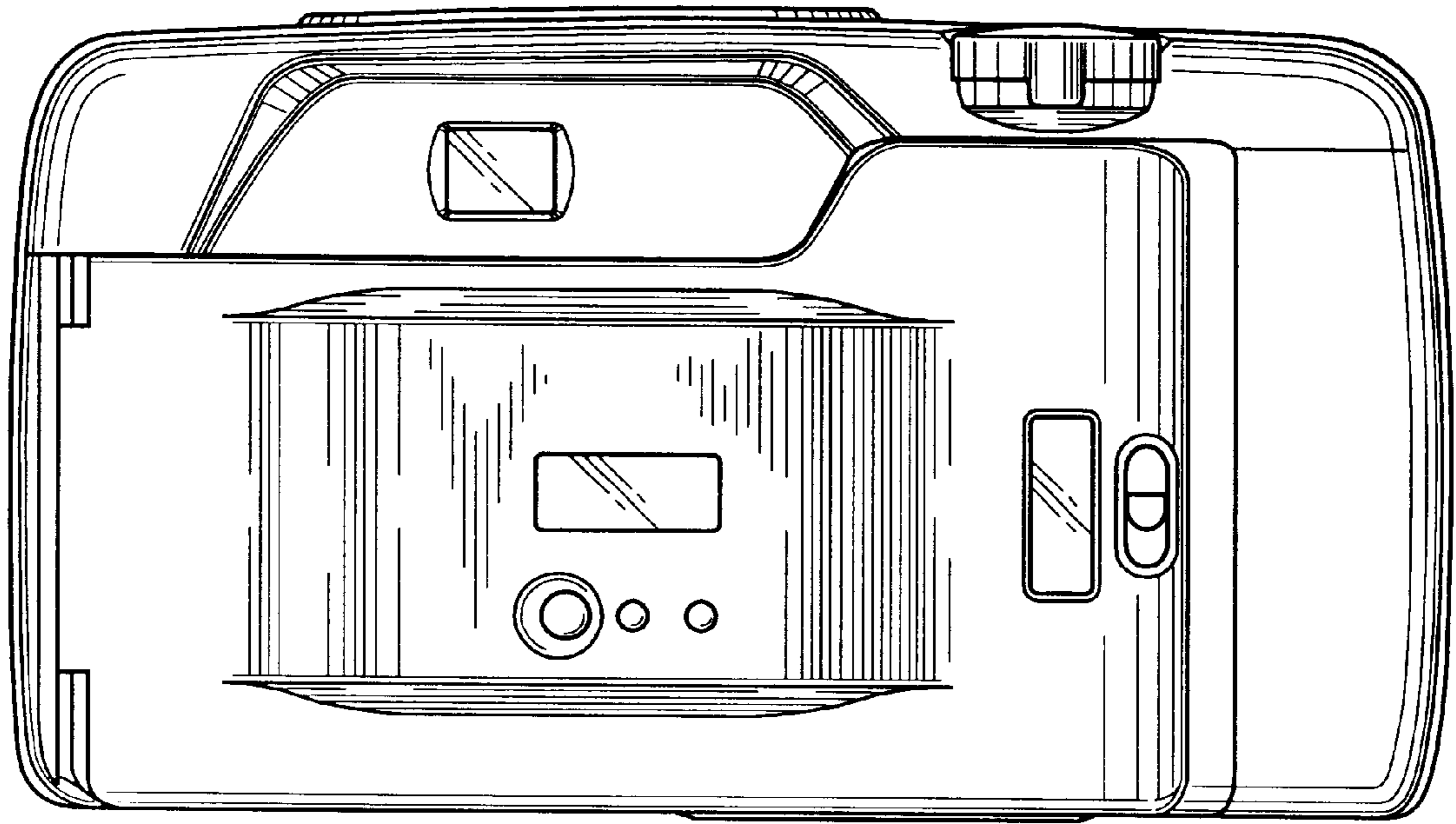


FIG. 7

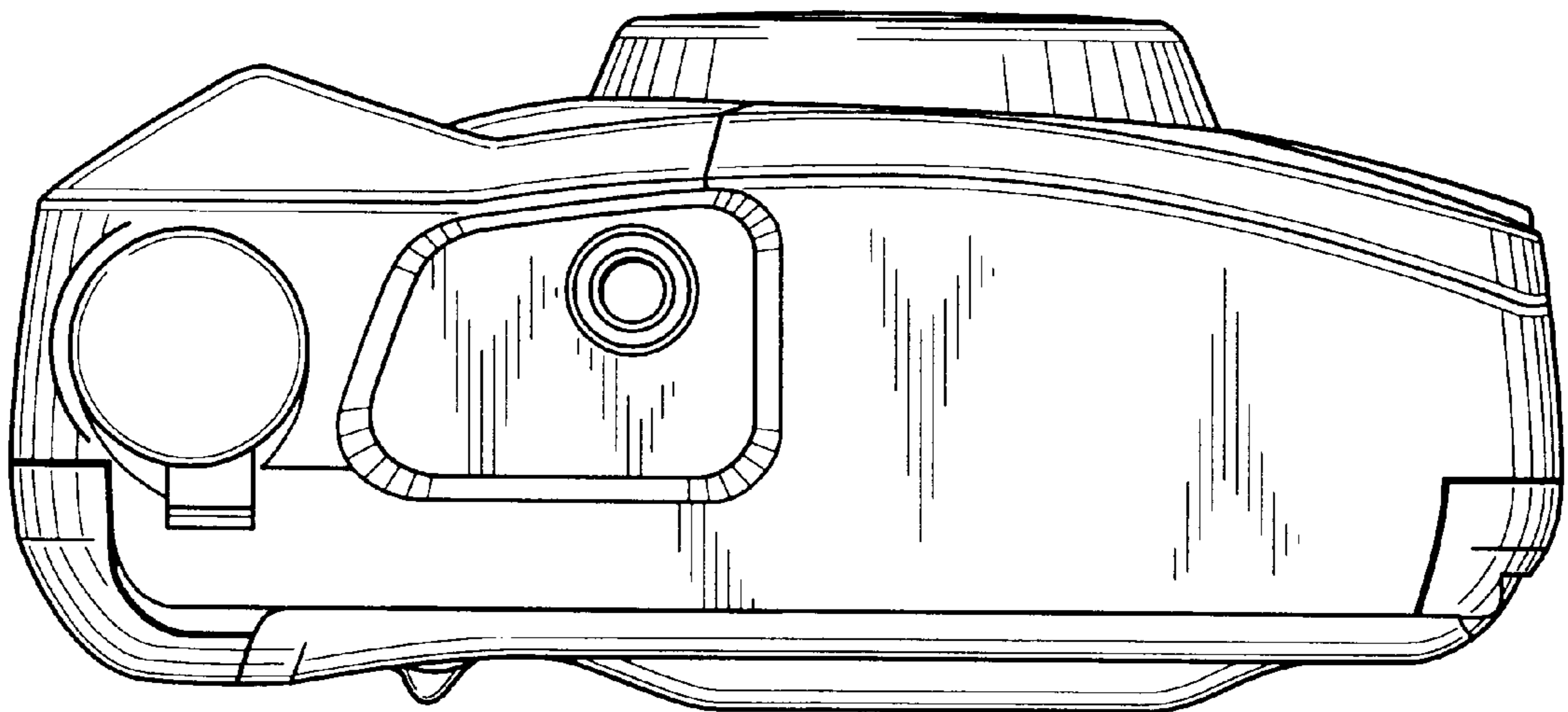


FIG. 8

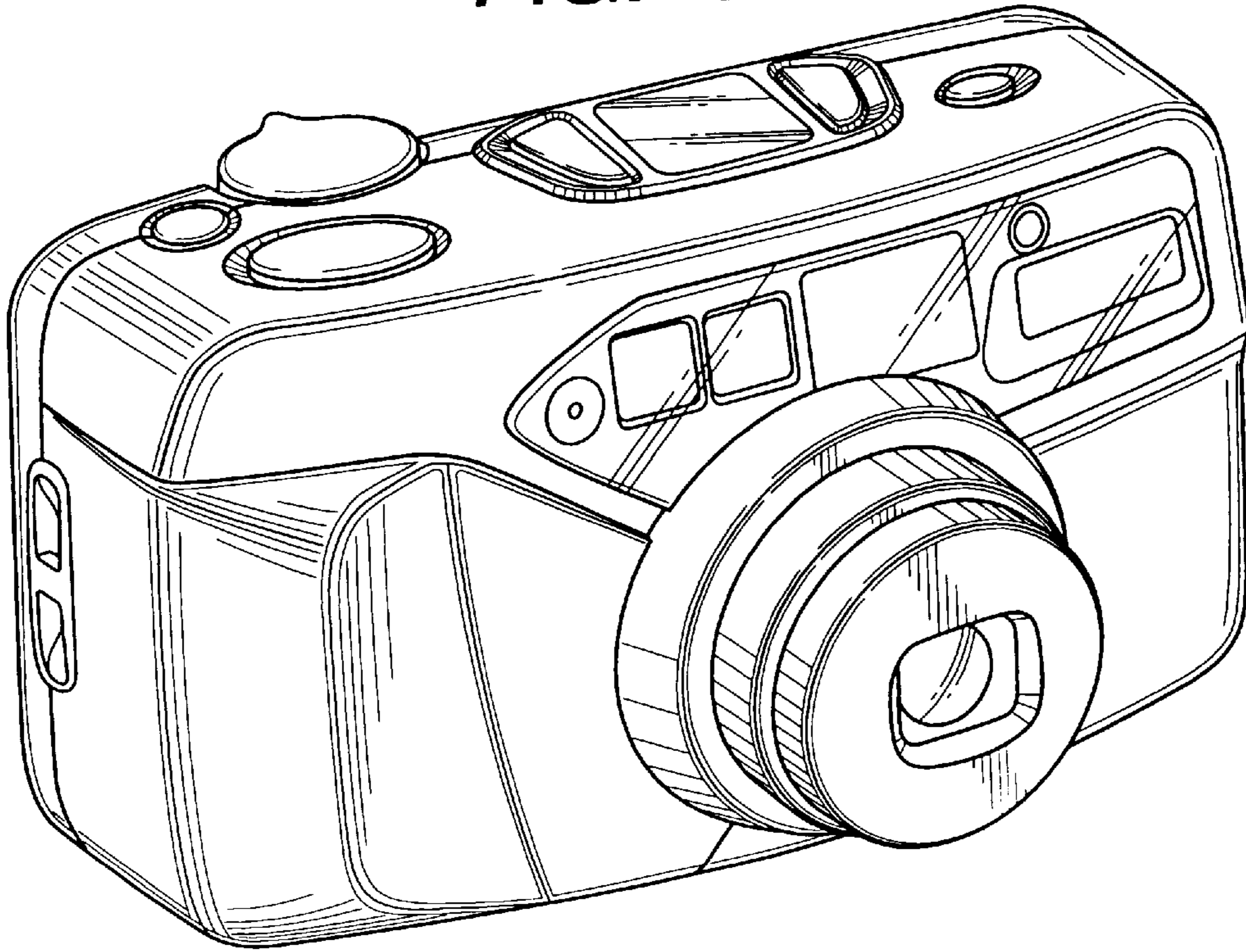


FIG. 9

