



US00D412002S

# United States Patent [19] Billman

[11] **Patent Number: Des. 412,002**  
[45] **Date of Patent: \*\* Jul. 13, 1999**

[54] **UPPER WORK CABINET**

[75] Inventor: **Åke Billman**, Järfälla, Sweden  
[73] Assignee: **Toolex Alpha AB**, Sundbyberg, Sweden  
[\*\*] Term: **14 Years**  
[21] Appl. No.: **29/090,571**  
[22] Filed: **Jul. 10, 1998**

**Related U.S. Application Data**

[30] **Foreign Application Priority Data**

May 19, 1998 [SE] Sweden ..... 98-1099  
[51] **LOC (6) Cl.** ..... **15-09**  
[52] **U.S. Cl.** ..... **D15/199**  
[58] **Field of Search** ..... D10/46, 75; D15/199;  
204/141.5, 232, 402, 153.1, 412, 434, 435,  
224 R, 224 M, 212, 218, 228, 271, 275,  
297 R, 297 W, 105 R, 234, 112, DIG. 7,  
DIG. 12, DIG. 13; 205/210, 220, 224, 238,  
255, 68, 96, 917

[56] **References Cited**

**U.S. PATENT DOCUMENTS**

3,769,192 10/1973 Gosger ..... 204/224 M X

*Primary Examiner*—Antoine Duval Davis  
*Attorney, Agent, or Firm*—Young & Thompson

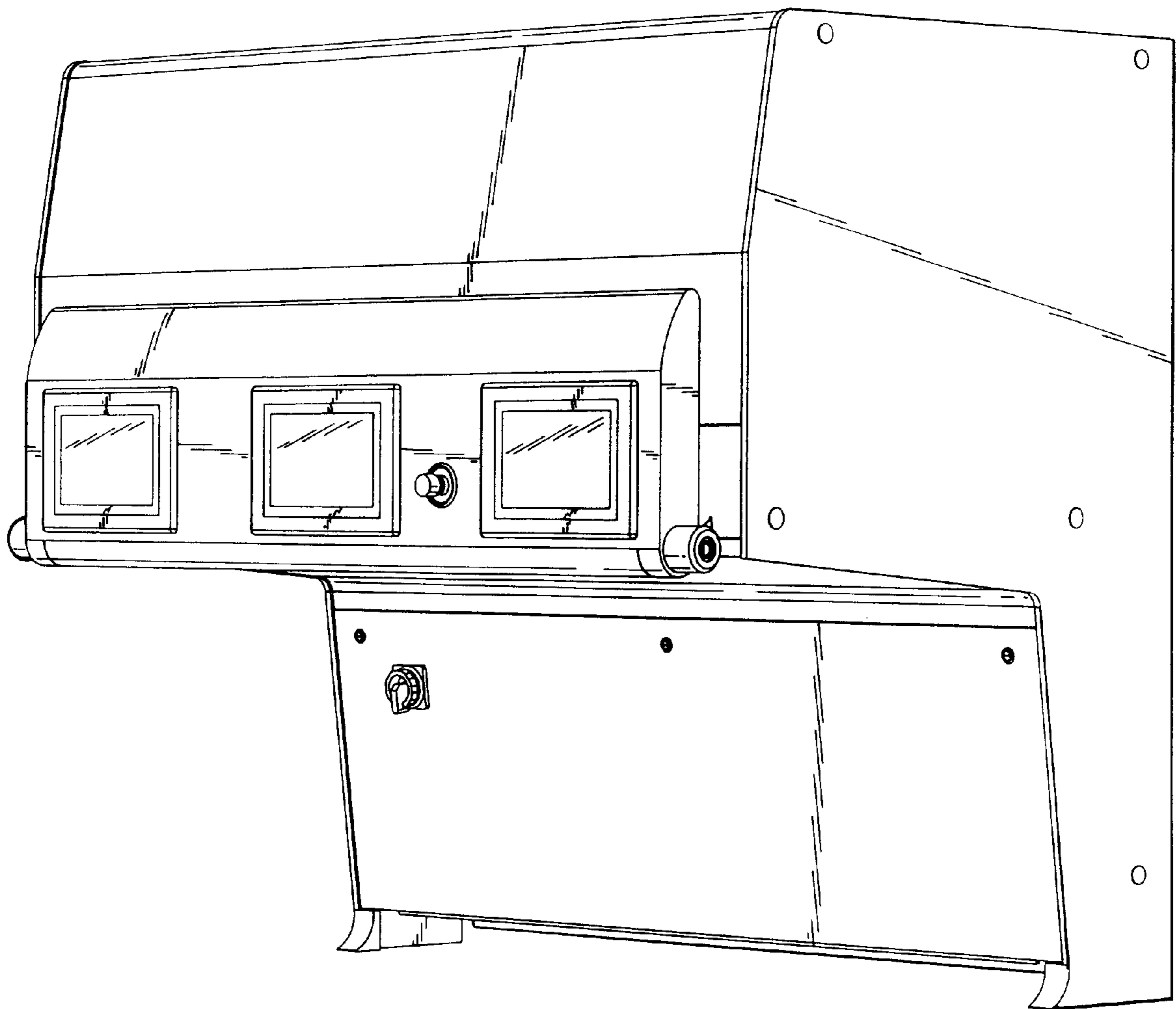
[57] **CLAIM**

The ornamental design for an upper work cabinet, as shown and described.

**DESCRIPTION**

FIG. 1 is a front and left side perspective view of an upper work cabinet, showing my new design;  
FIG. 2 is a front elevational view thereof;  
FIG. 3 is a left side elevational view thereof; the opposite side thereof is identical thereto;  
FIG. 4 is a top plan view thereof;  
FIG. 5 is a rear elevational view thereof; and,  
FIG. 6 is a front and left side perspective view with the screen panel leaning forward.

**1 Claim, 3 Drawing Sheets**



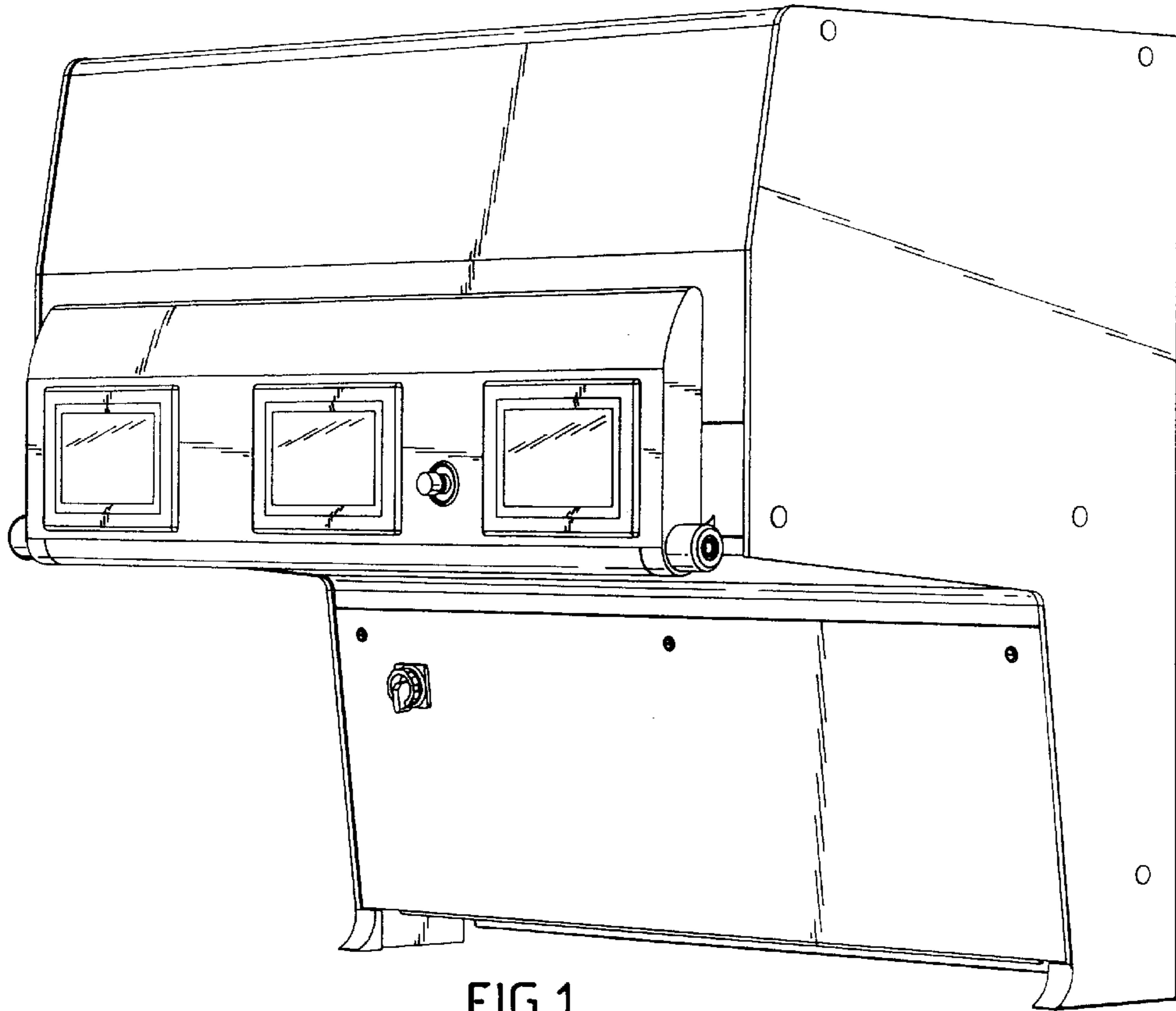


FIG. 1

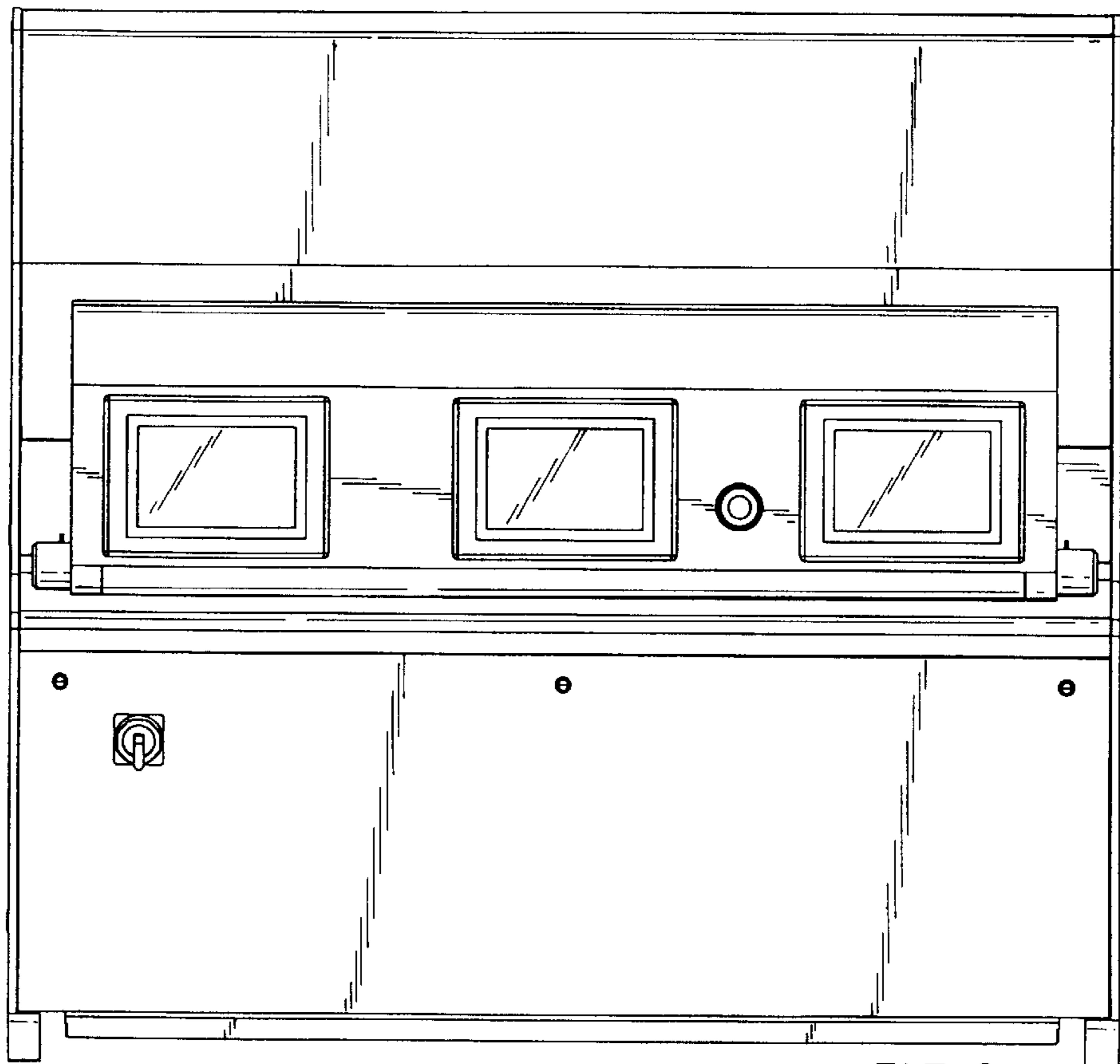


FIG. 2

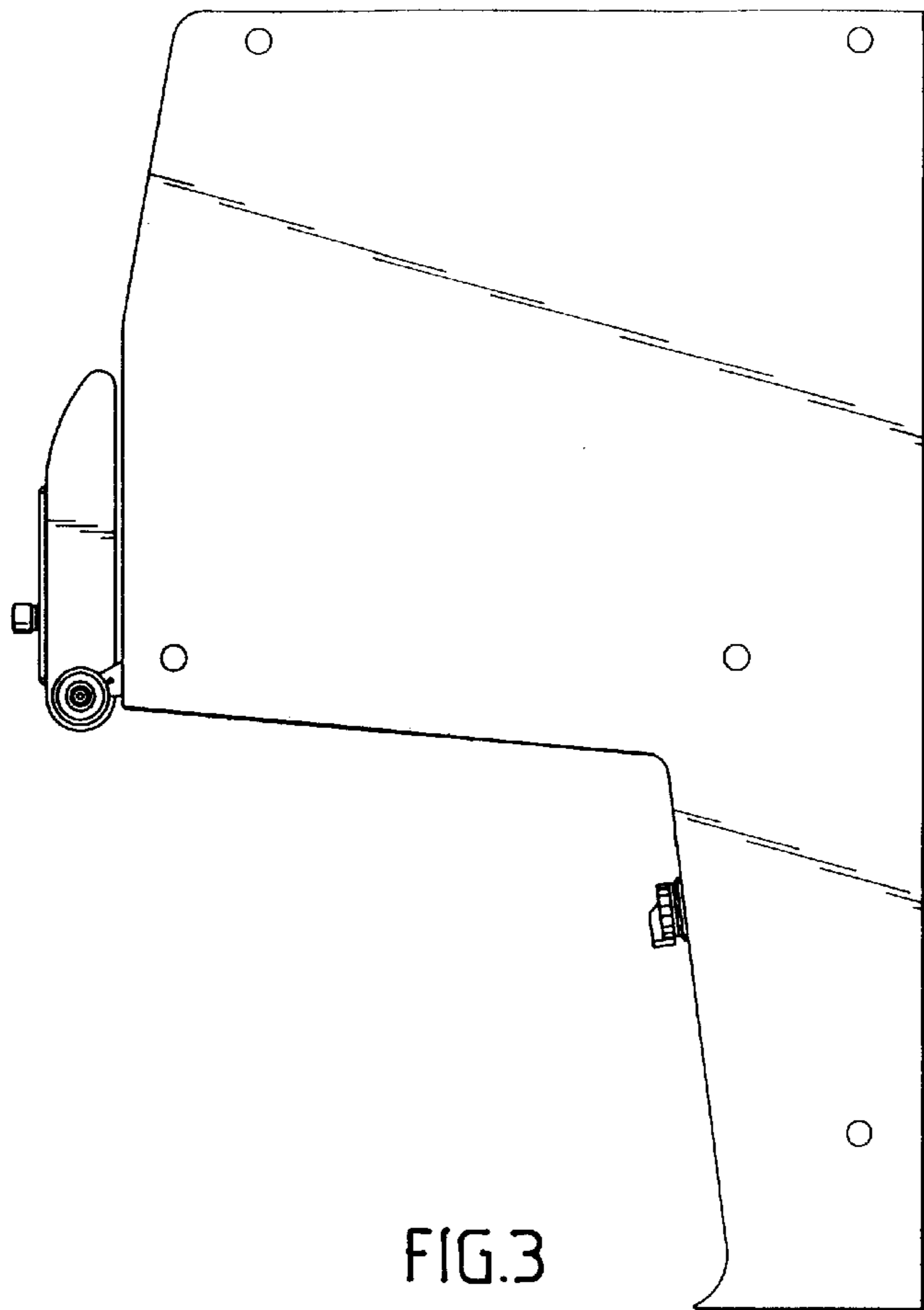


FIG.3

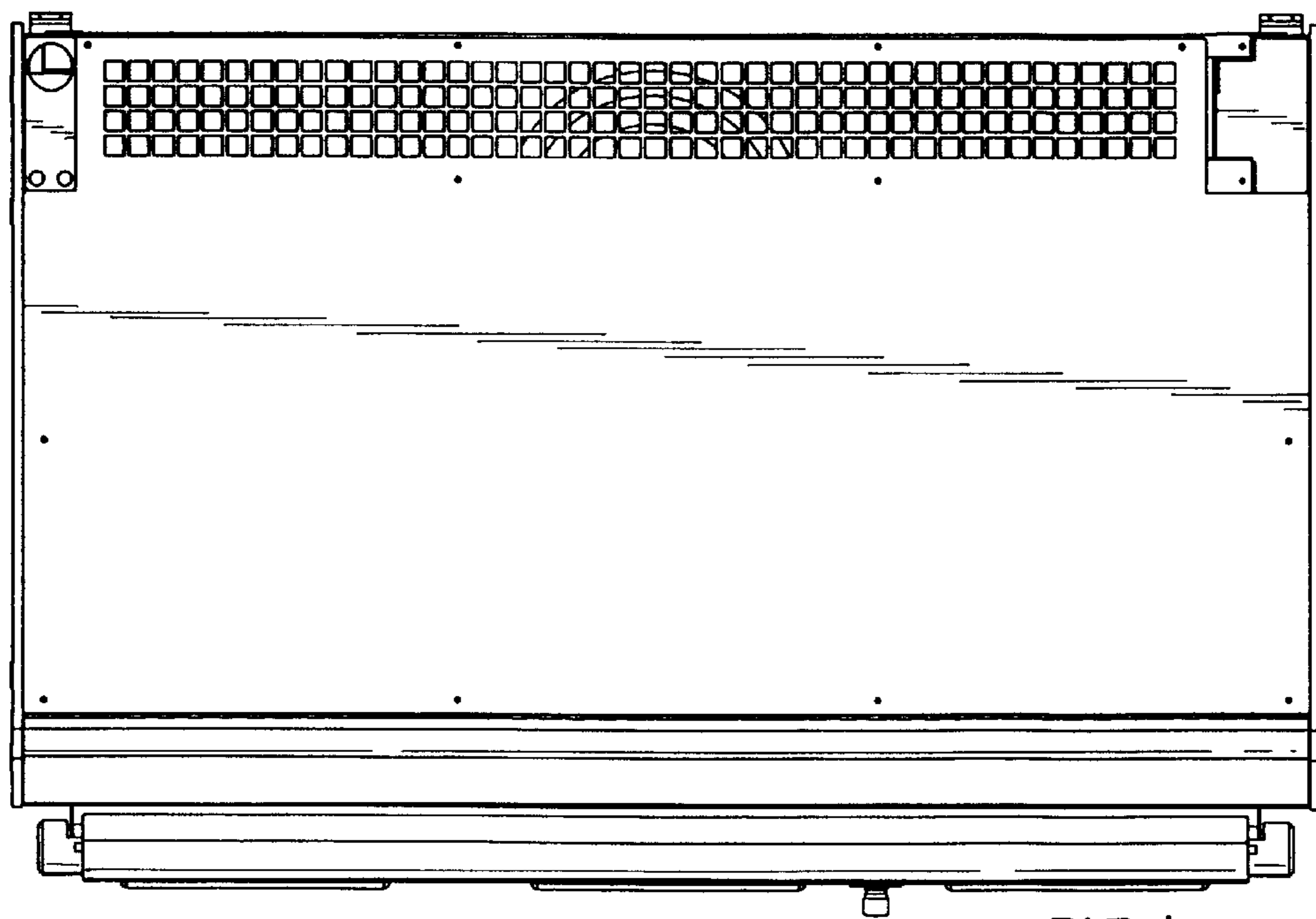


FIG.4

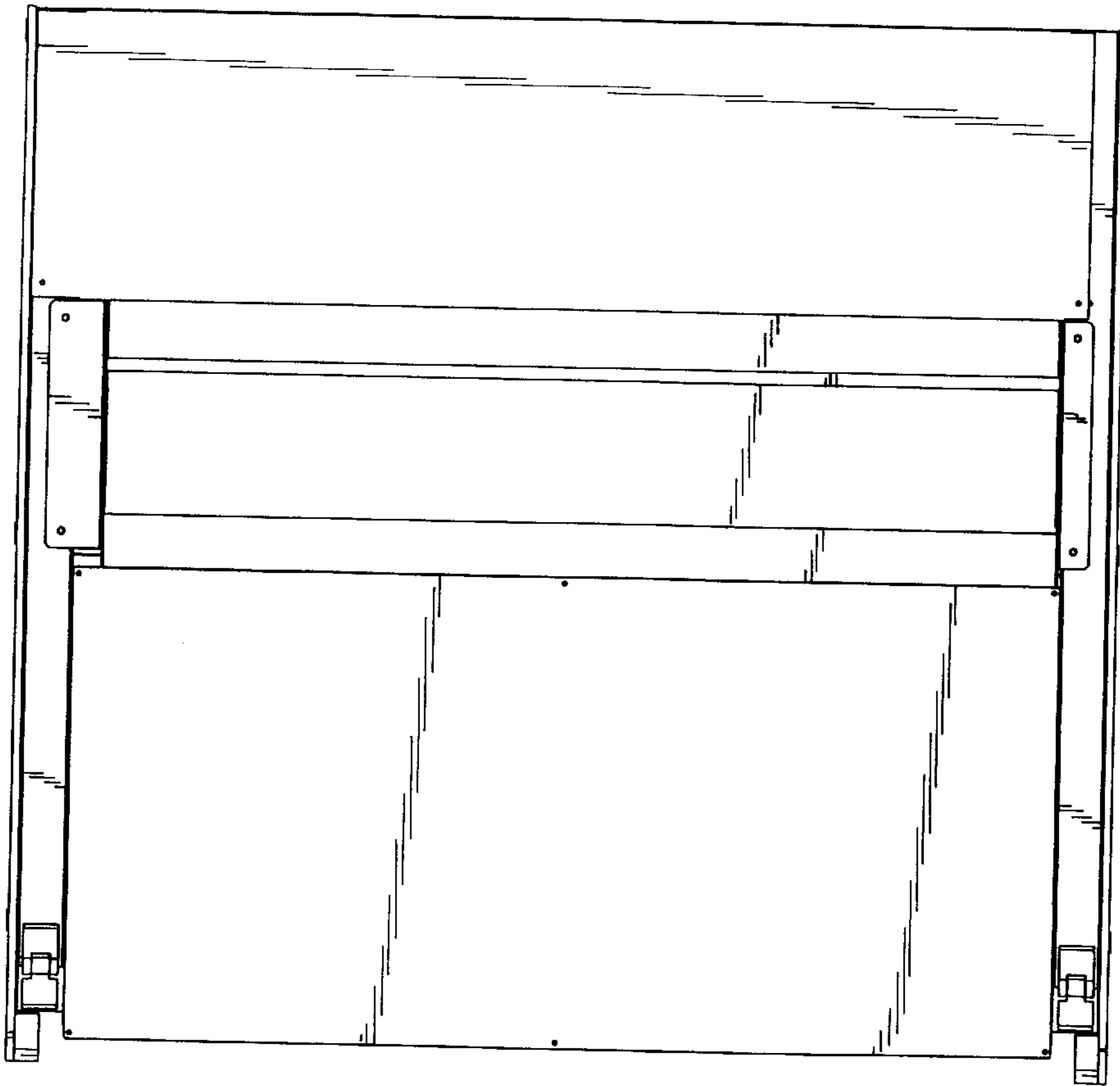


FIG. 5

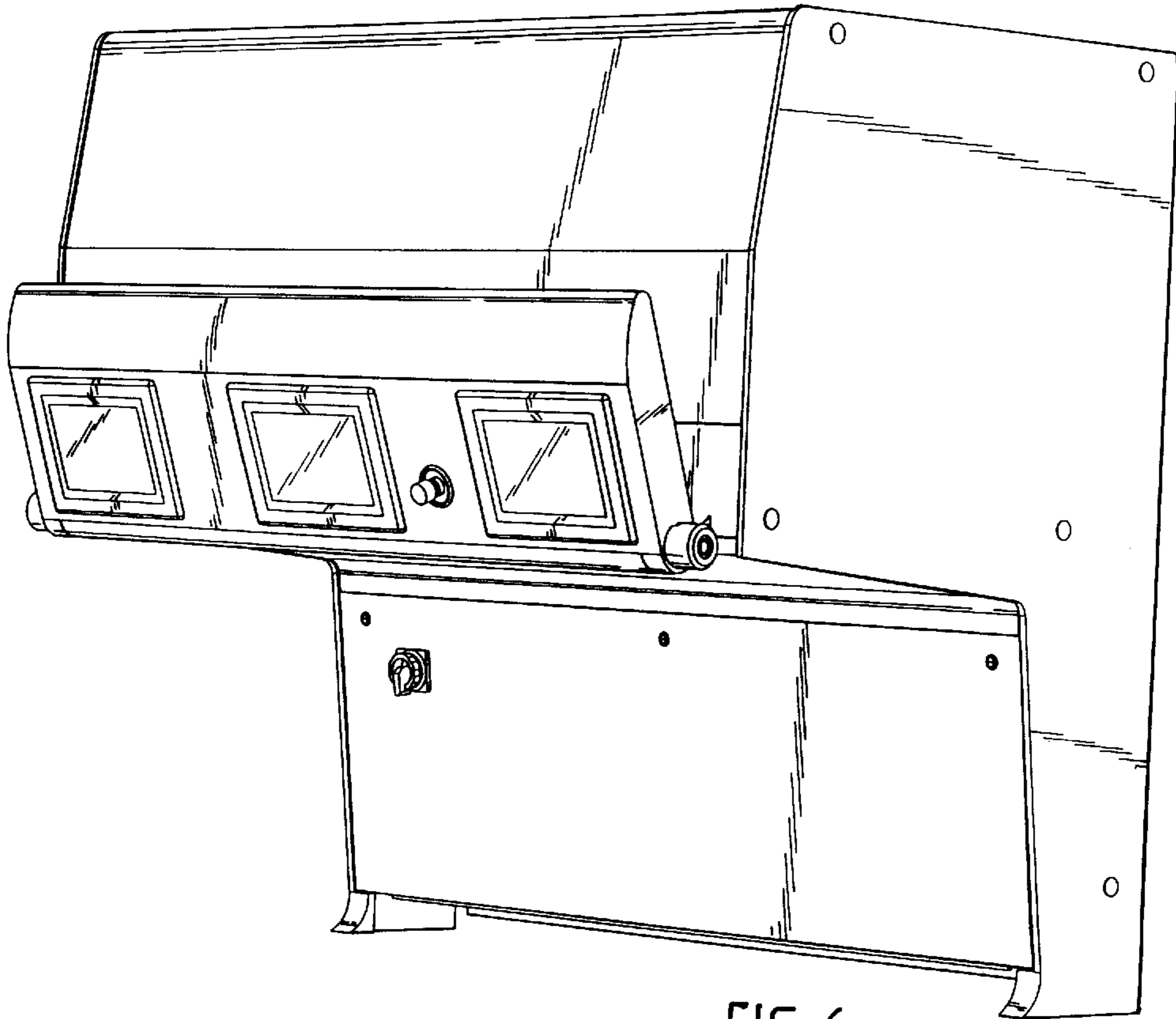


FIG. 6