



US00D412001S

United States Patent [19]
Middleton

[11] **Patent Number: Des. 412,001**
[45] **Date of Patent: ** Jul. 13, 1999**

[54] **ENHANCED OUTER CHUCK SLEEVE**

[75] **Inventor: Ian Middleton**, Chesterfield, United Kingdom

[73] **Assignee: Power Tool Holders Incorporated**, Wilmington, Del.

[**] **Term: 14 Years**

[21] **Appl. No.: 29/084,549**

[22] **Filed: Mar. 5, 1998**

[51] **LOC (6) Cl. 15-09**

[52] **U.S. Cl. D15/140; D8/70**

[58] **Field of Search D15/140; D8/70;**
279/60-66, 140, 902; 488/240

[56] **References Cited**

U.S. PATENT DOCUMENTS

D. 392,654 3/1998 Stratford et al. D15/140
5,476,273 12/1995 Shadeck et al. 279/60

Primary Examiner—Antoine Duval Davis
Attorney, Agent, or Firm—Dority & Manning, P.A.

[57] **CLAIM**

The ornamental design of an enhanced outer chuck sleeve, as shown and described.

DESCRIPTION

FIG. 1 is a partial perspective view of an enhanced outer chuck sleeve in accordance with the present invention.

FIG. 2 is a front view of the enhanced outer chuck sleeve as illustrated in FIG. 1.

FIG. 3 is a side view of the enhanced outer chuck sleeve as illustrated in FIG. 1.

FIG. 4 is a top view of the enhanced outer chuck sleeve as illustrated in FIG. 1.

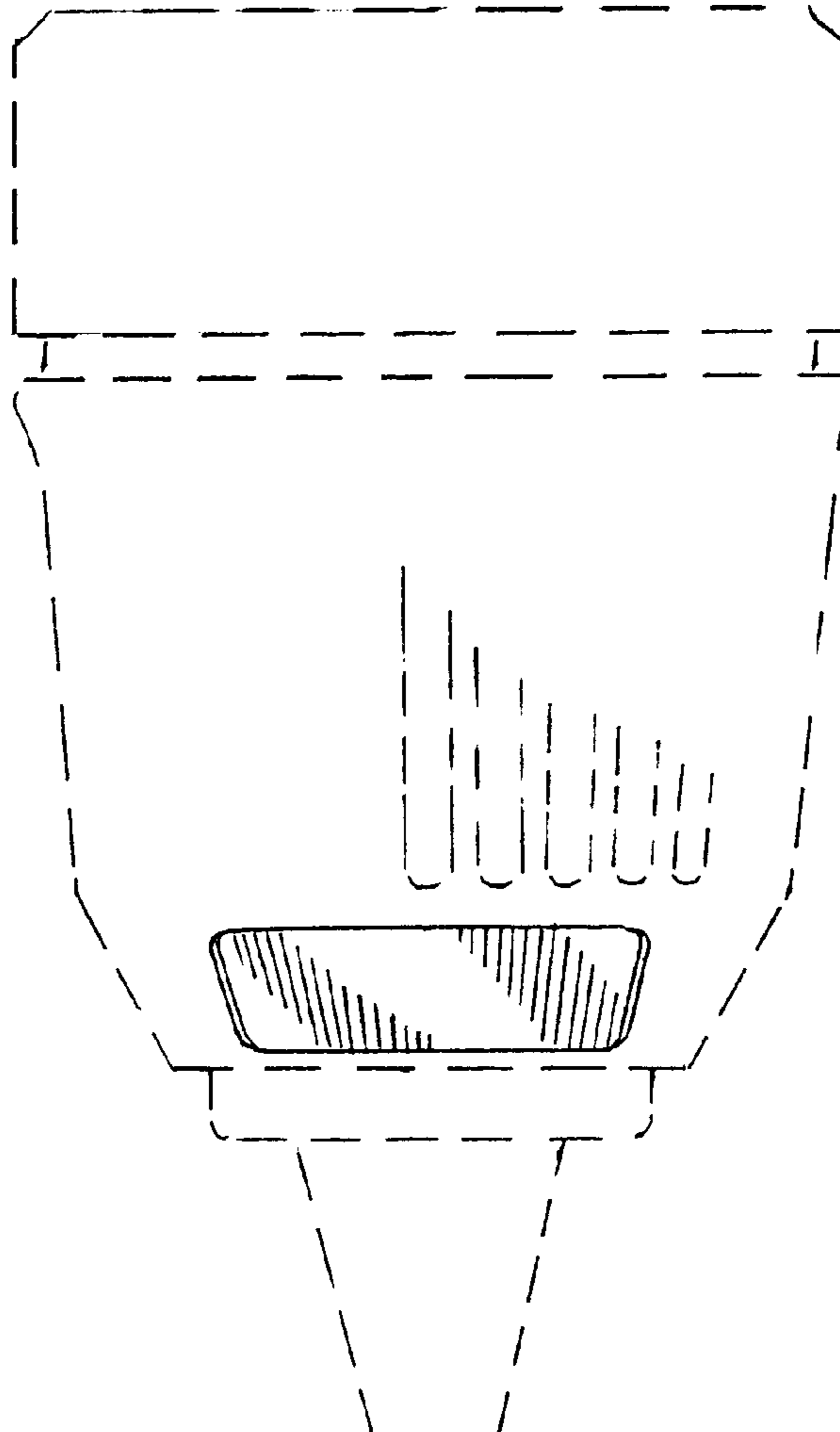
FIG. 5 is a front view of an alternate embodiment of an enhanced outer chuck sleeve.

FIG. 6 is a top view of the enhanced outer chuck sleeve as illustrated in FIG. 5; and,

FIG. 7 is a side view of the enhanced outer chuck sleeve as illustrated in FIG. 5.

The broken line showing is for illustrative purposes only and forms no part of the claimed design.

1 Claim, 3 Drawing Sheets



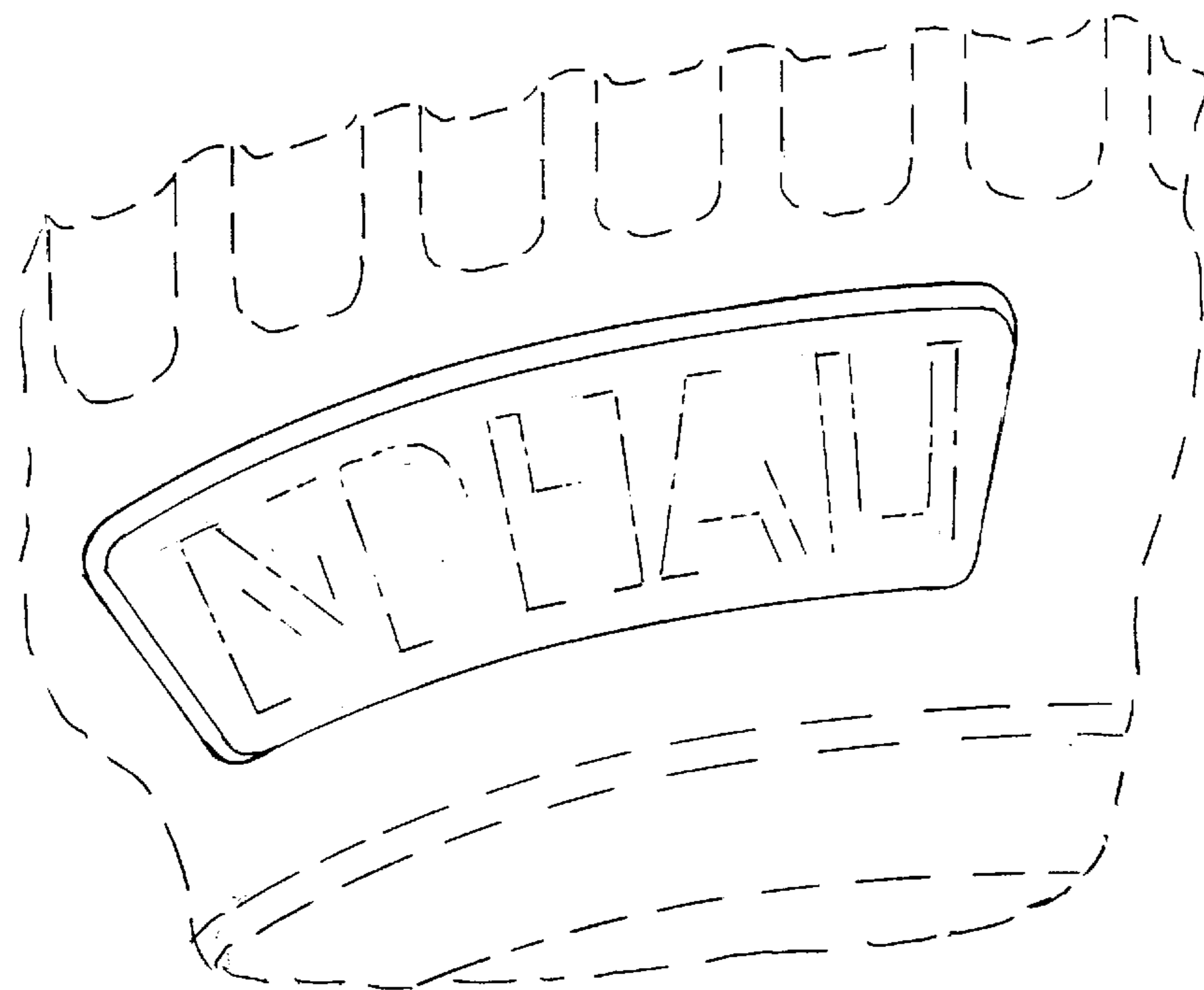


Fig. 1

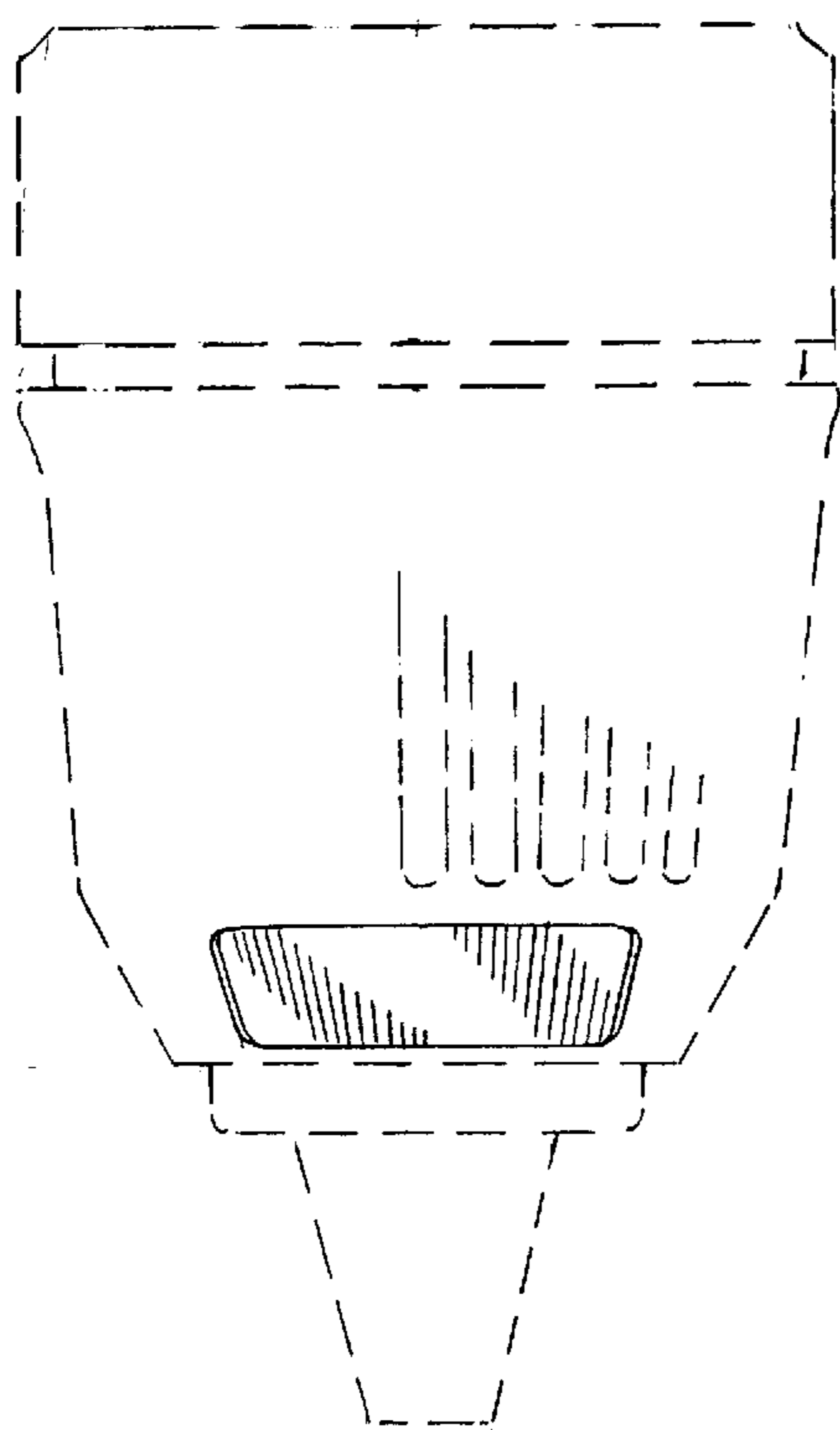


Fig. 2

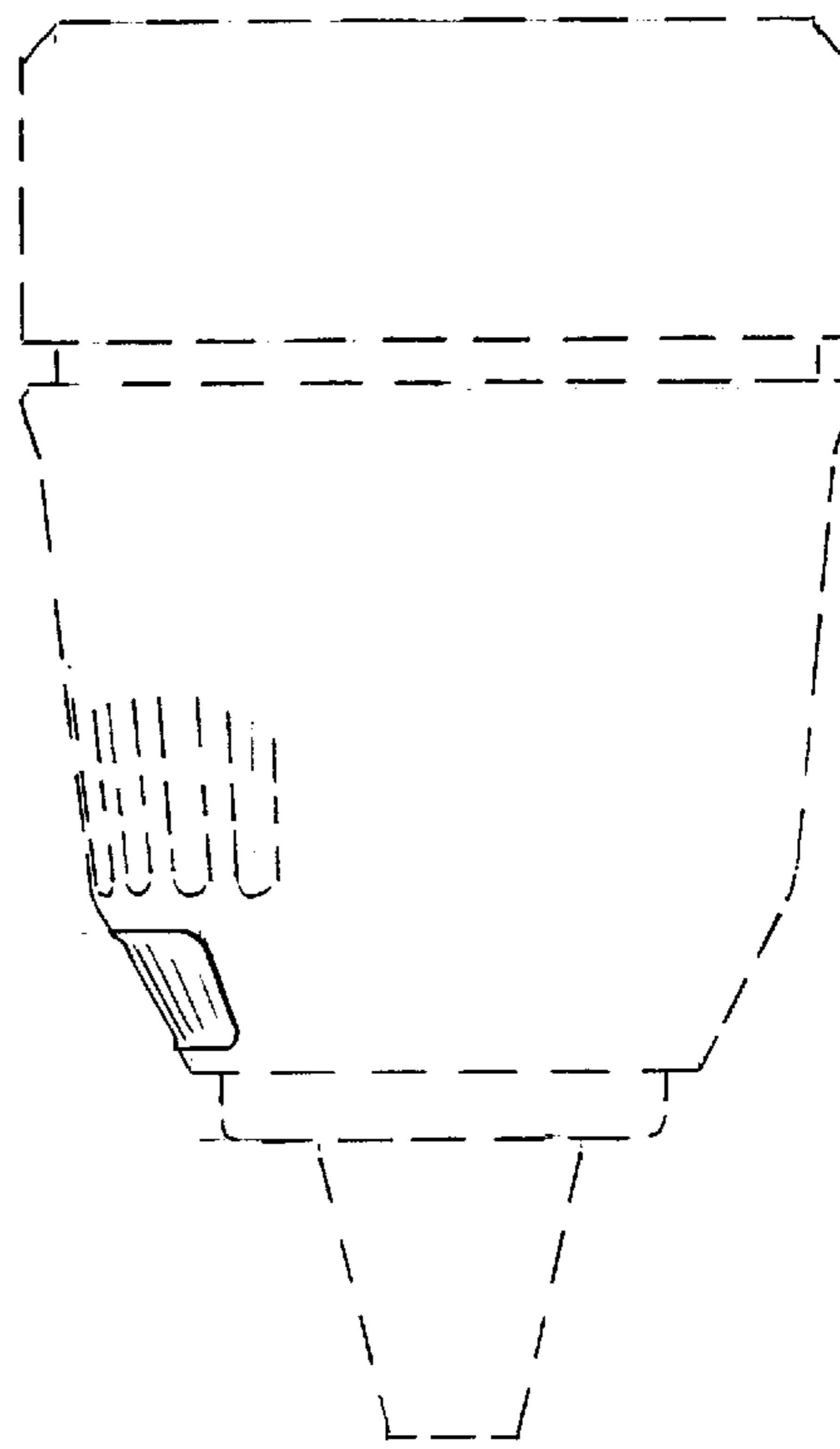


Fig. 3

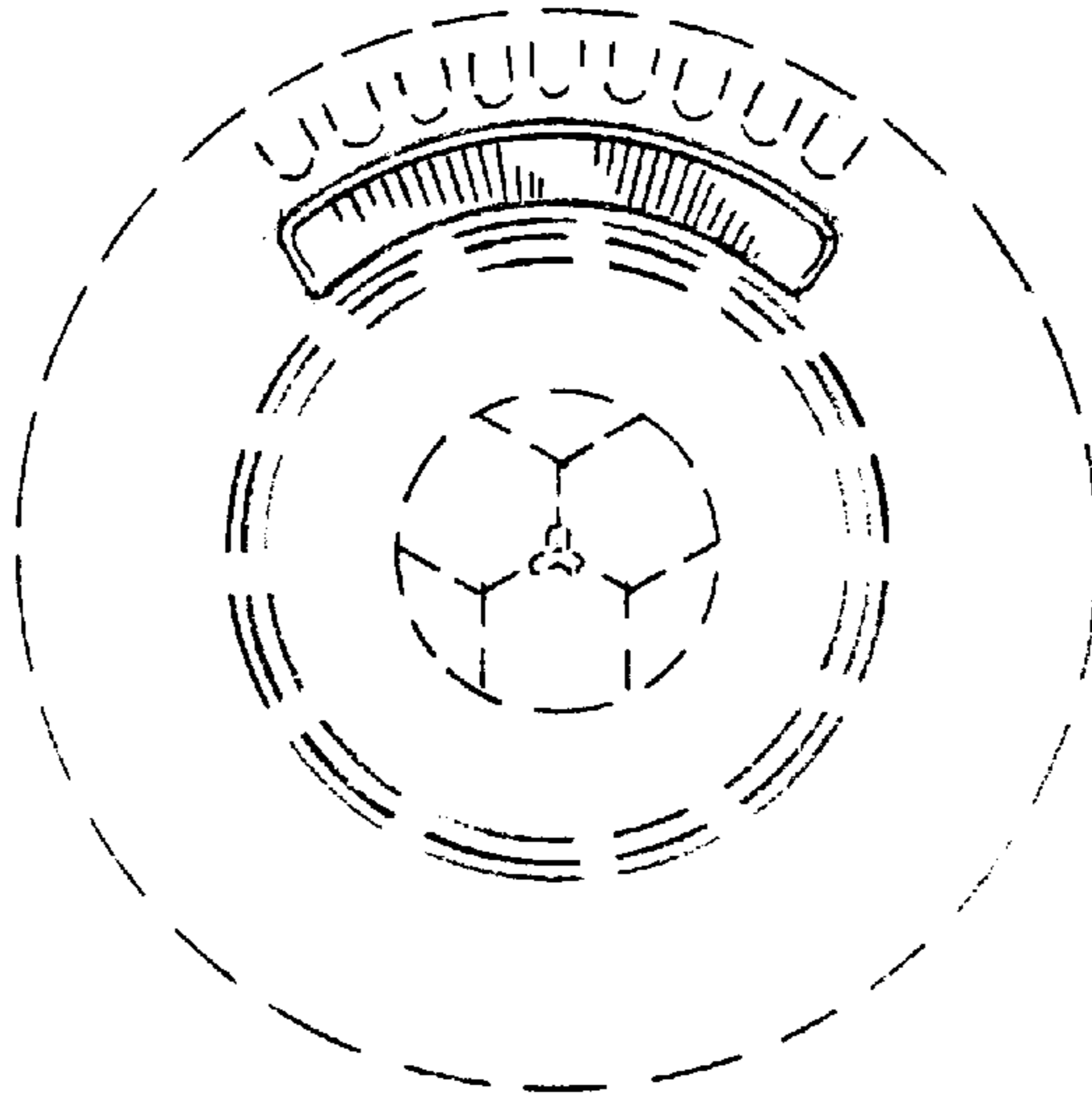


Fig. 4

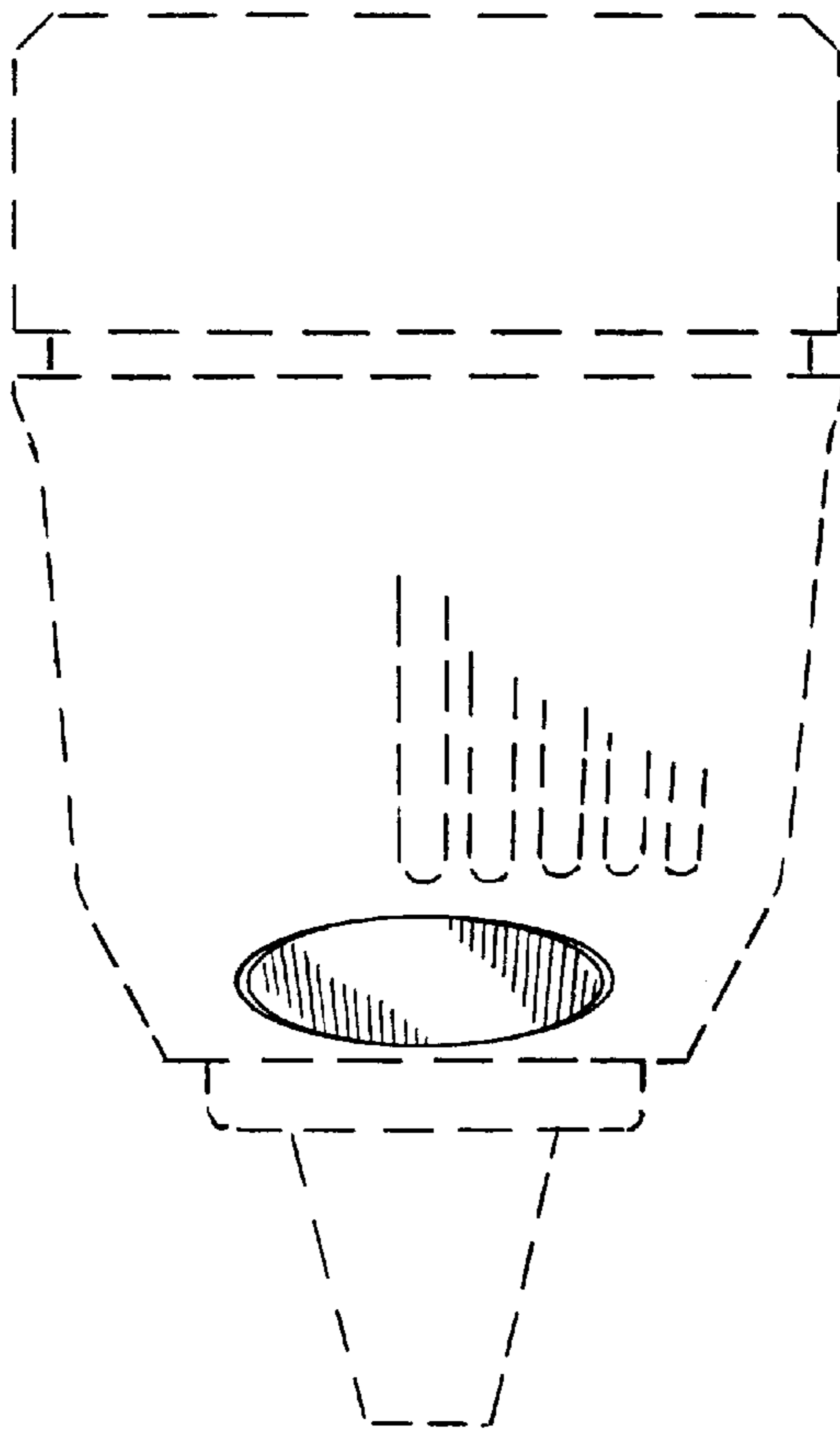


Fig. 5

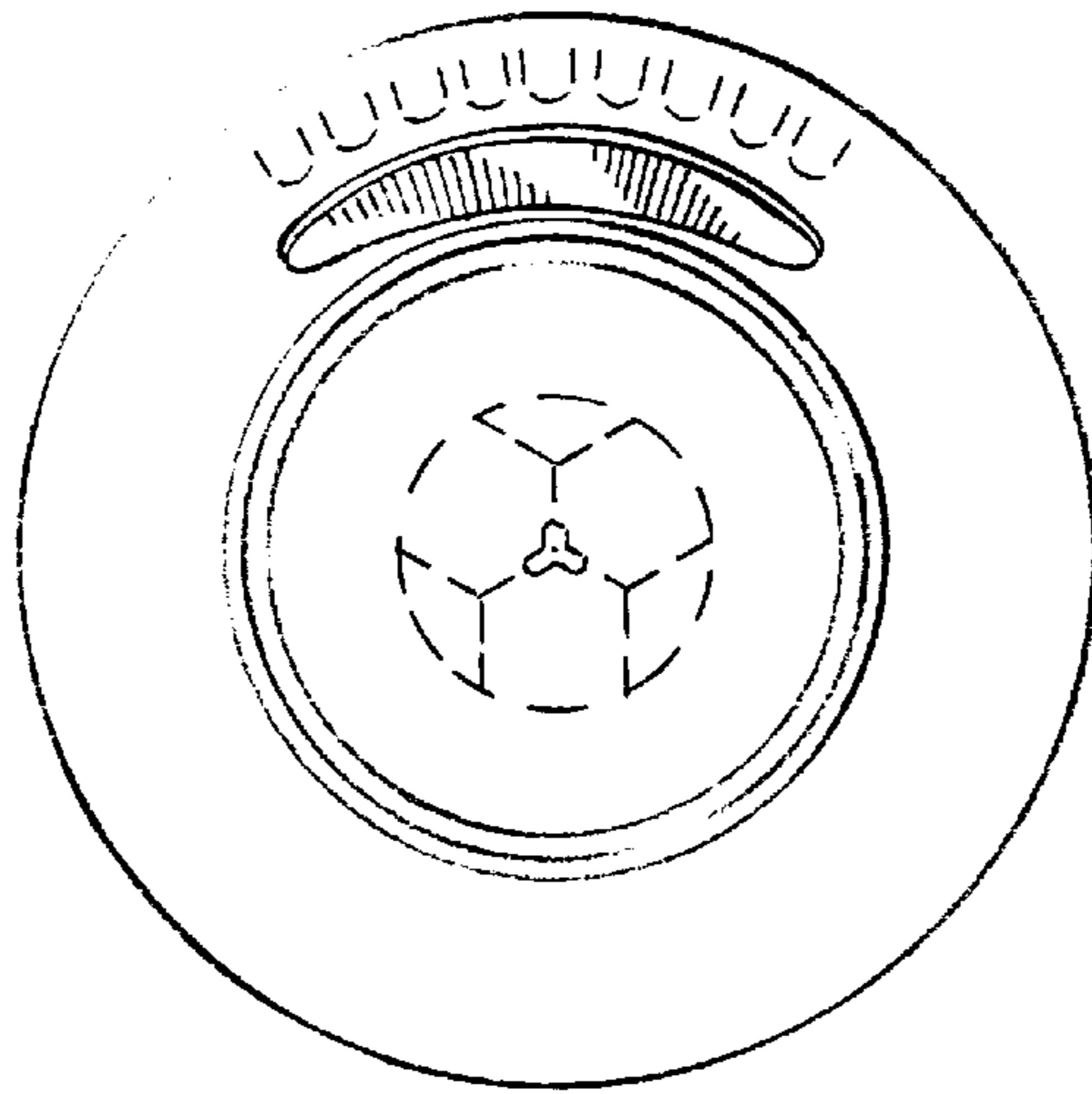


Fig. 6

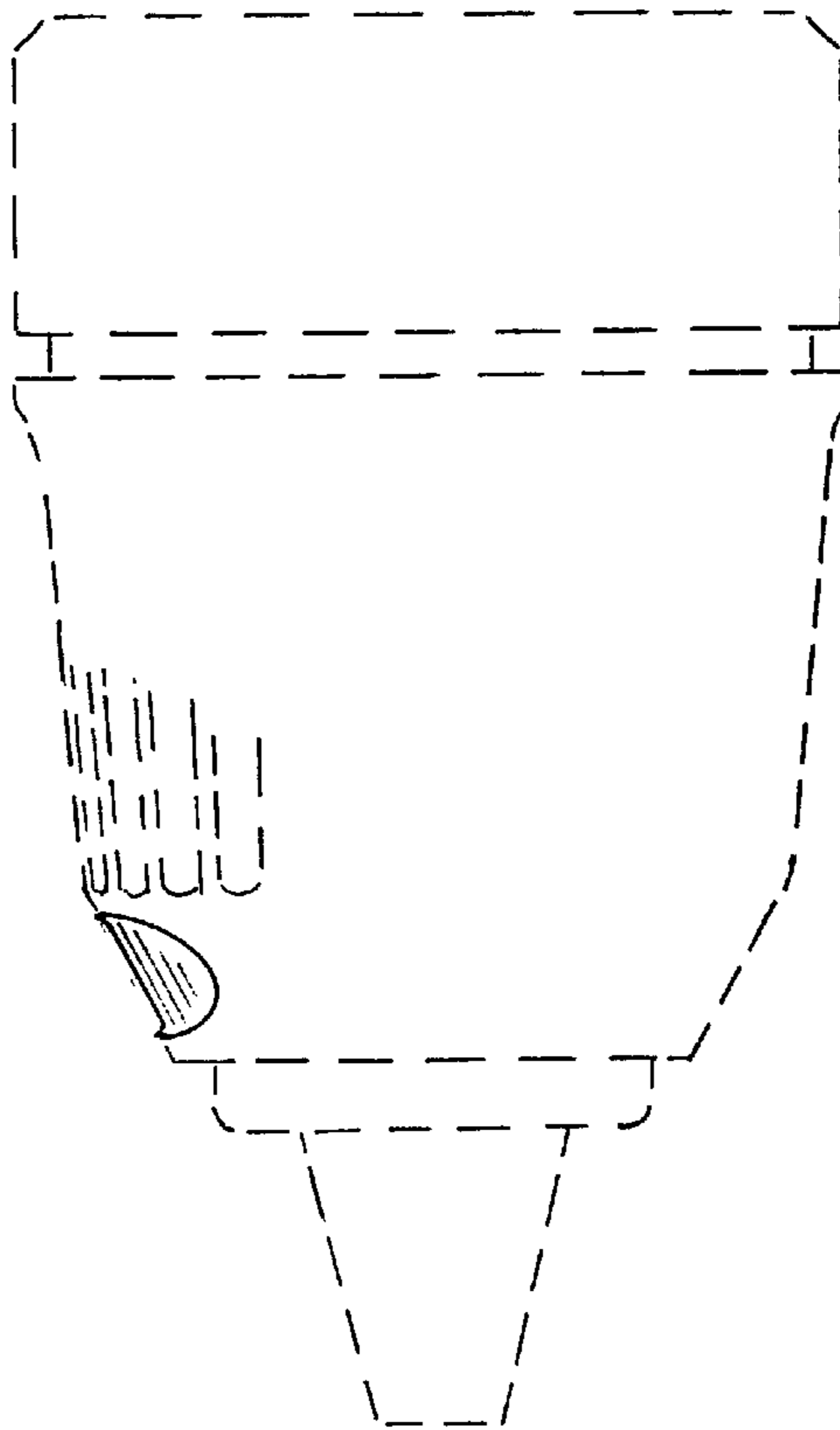


Fig. 7