



US00D411999S

United States Patent [19]

Inoue

[11] Patent Number: **Des. 411,999**

[45] Date of Patent: **** *Jul. 13, 1999**

[54] **PARABOLIC ANTENNA**

[75] Inventor: **Shigemi Inoue**, Kobe, Japan

[73] Assignee: **DX Antenna Company, Limited**,
Kobe, Japan

[*] Notice: This patent is subject to a terminal disclaimer.

[**] Term: **14 Years**

[21] Appl. No.: **29/076,153**

[22] Filed: **Sep. 4, 1997**

Related U.S. Application Data

[63] Continuation-in-part of application No. 29/075,586, Sep. 3, 1998.

[51] **LOC (6) Cl.** **14-03**

[52] **U.S. Cl.** **D14/231**

[58] **Field of Search** D14/147-148,
D14/230-238, 299; 343/700 R, 701-702,
761, 786, 781 R, 840-841, 850, 857-858,
860, 872-875, 878, 889, 906-908, 888-890,
892, 896, 898-901, 912, 914; 310/160

[56] References Cited

U.S. PATENT DOCUMENTS

- D. 303,972 10/1989 Uozumi D14/231
- D. 322,254 12/1991 Su D14/231
- D. 329,052 9/1992 Keane et al. D14/231
- D. 362,443 9/1995 Inoue D14/231
- D. 362,444 9/1995 Schneeman D14/231

- D. 380,474 7/1997 Pietrangelo et al. D14/231
- D. 389,155 1/1998 Inoue D14/231
- 2,534,271 12/1950 Kienow D14/231 X
- 4,649,675 3/1987 Moldovan et al. 343/878 X
- 5,554,998 9/1996 Sherwood et al. 343/880 X
- 5,576,722 11/1996 Bustillos 343/880 X

FOREIGN PATENT DOCUMENTS

- 7-29906 6/1995 Japan .
- 7-29913 6/1995 Japan .

OTHER PUBLICATIONS

Inoue-Design Patent Application No. 29/055,114 filed May 29, 1996.

Inoue-Design Patent Application No. 29/066,626 filed Feb. 20, 1997.

Primary Examiner—Ruth McInroy

Attorney, Agent, or Firm—William H. Murray

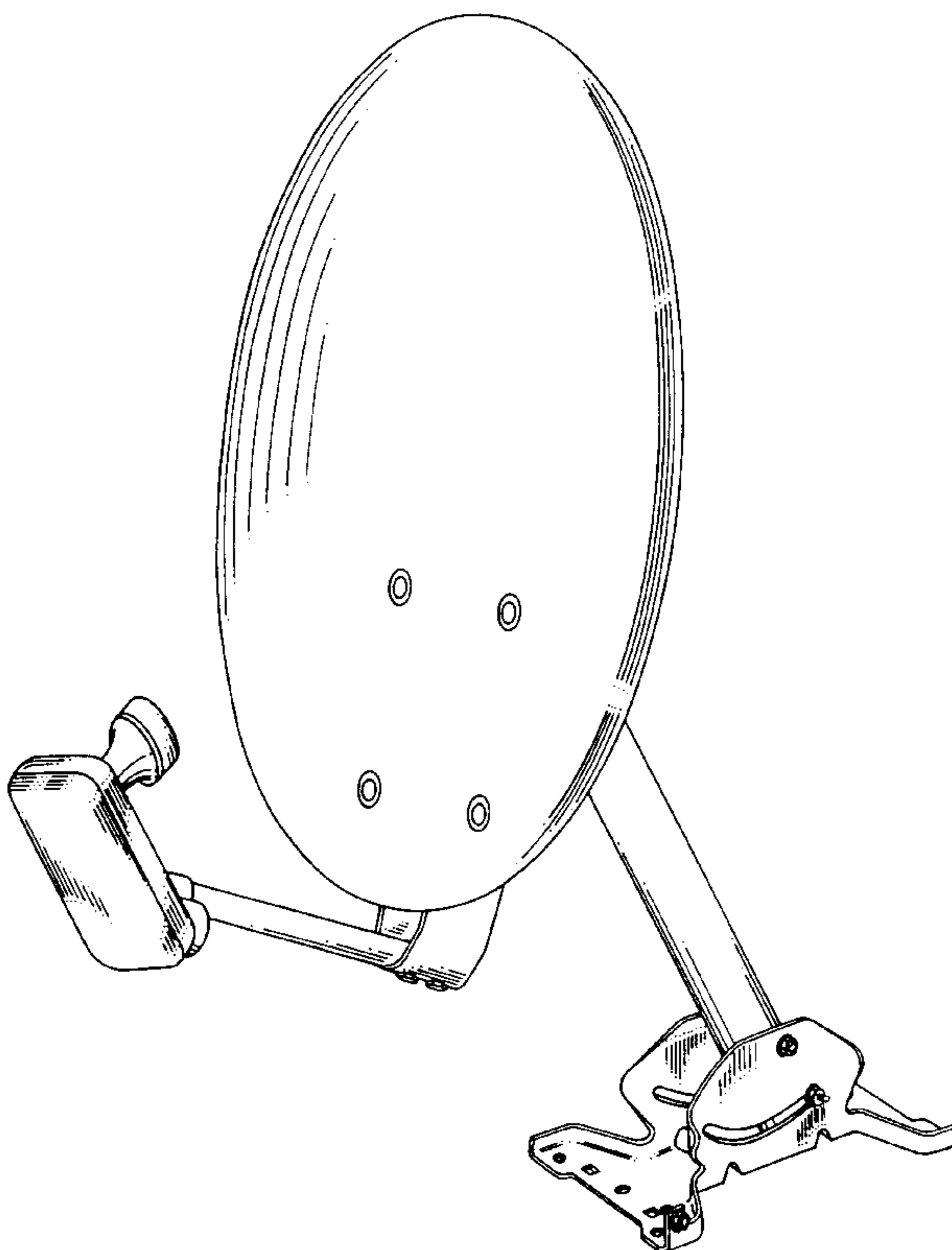
[57] CLAIM

The ornamental design for a parabolic antenna, as shown and described.

DESCRIPTION

FIG. 1 is a front and right side perspective view of a parabolic antenna showing my new design;
 FIG. 2 is a rear and left side perspective view thereof;
 FIG. 3 is a front elevational view thereof;
 FIG. 4 is a rear elevational view thereof;
 FIG. 5 is a right side elevational view thereof;
 FIG. 6 is a left side elevational view thereof;
 FIG. 7 is a top plan view thereof; and,
 FIG. 8 is a bottom plan view thereof.

1 Claim, 8 Drawing Sheets



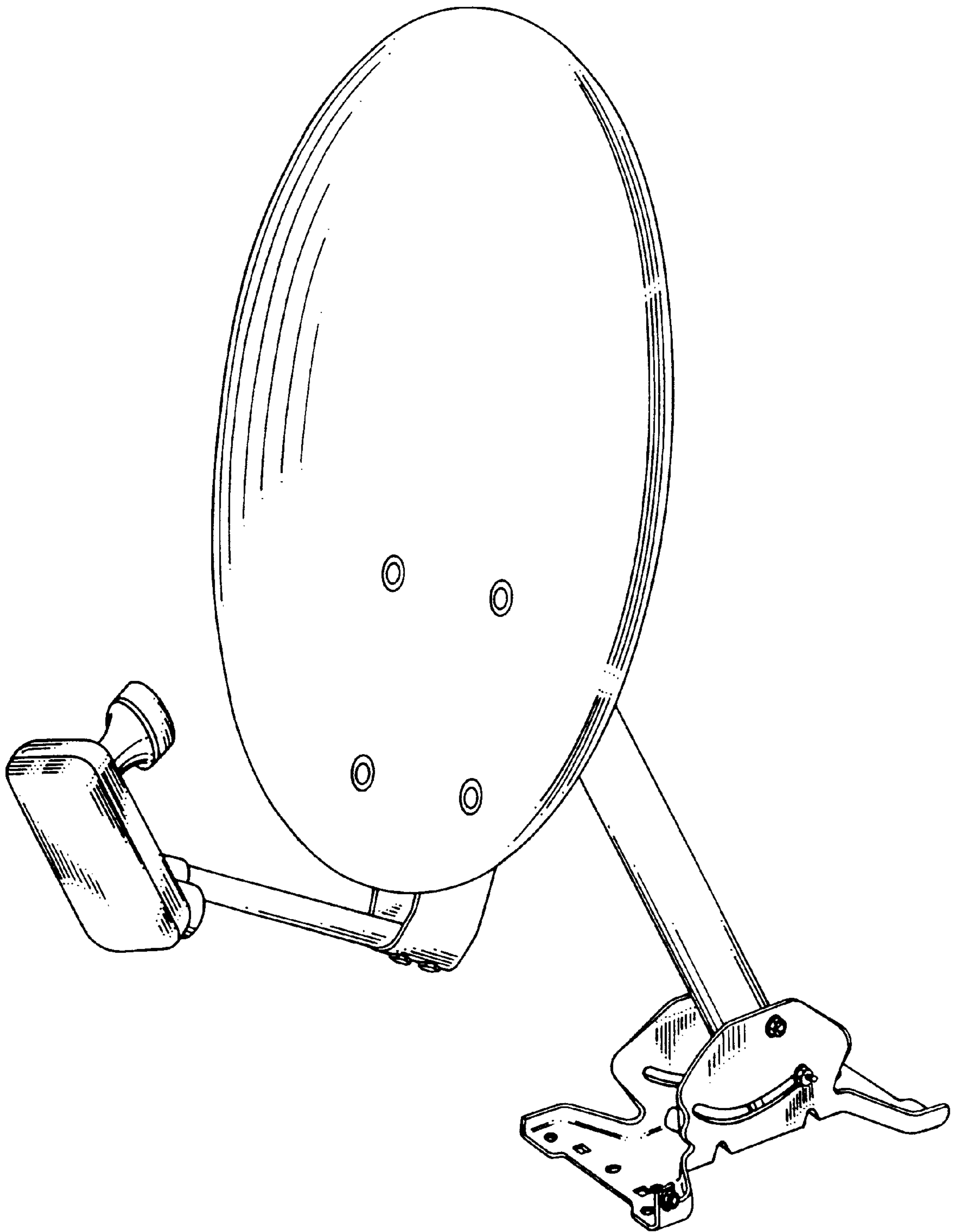
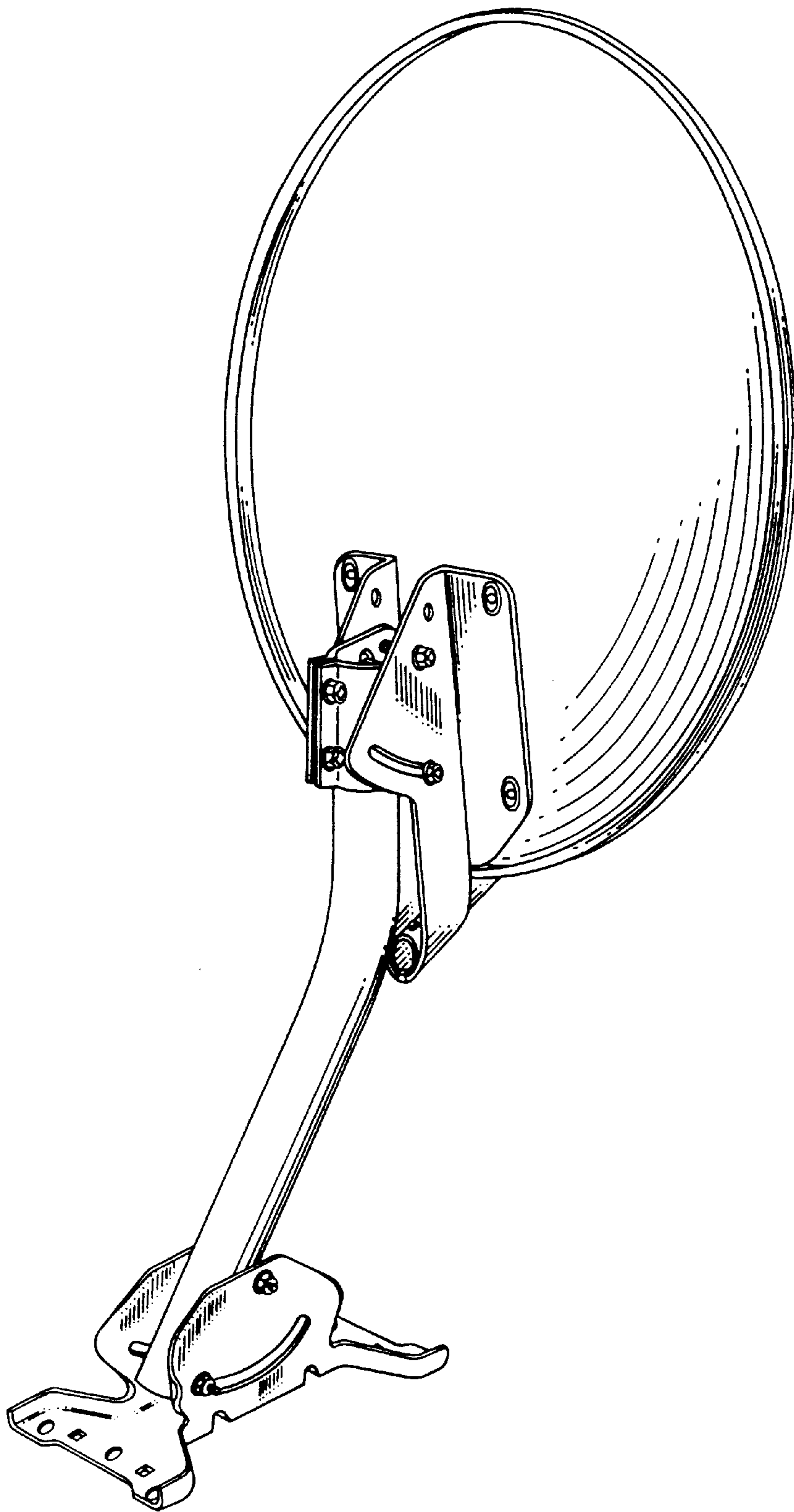
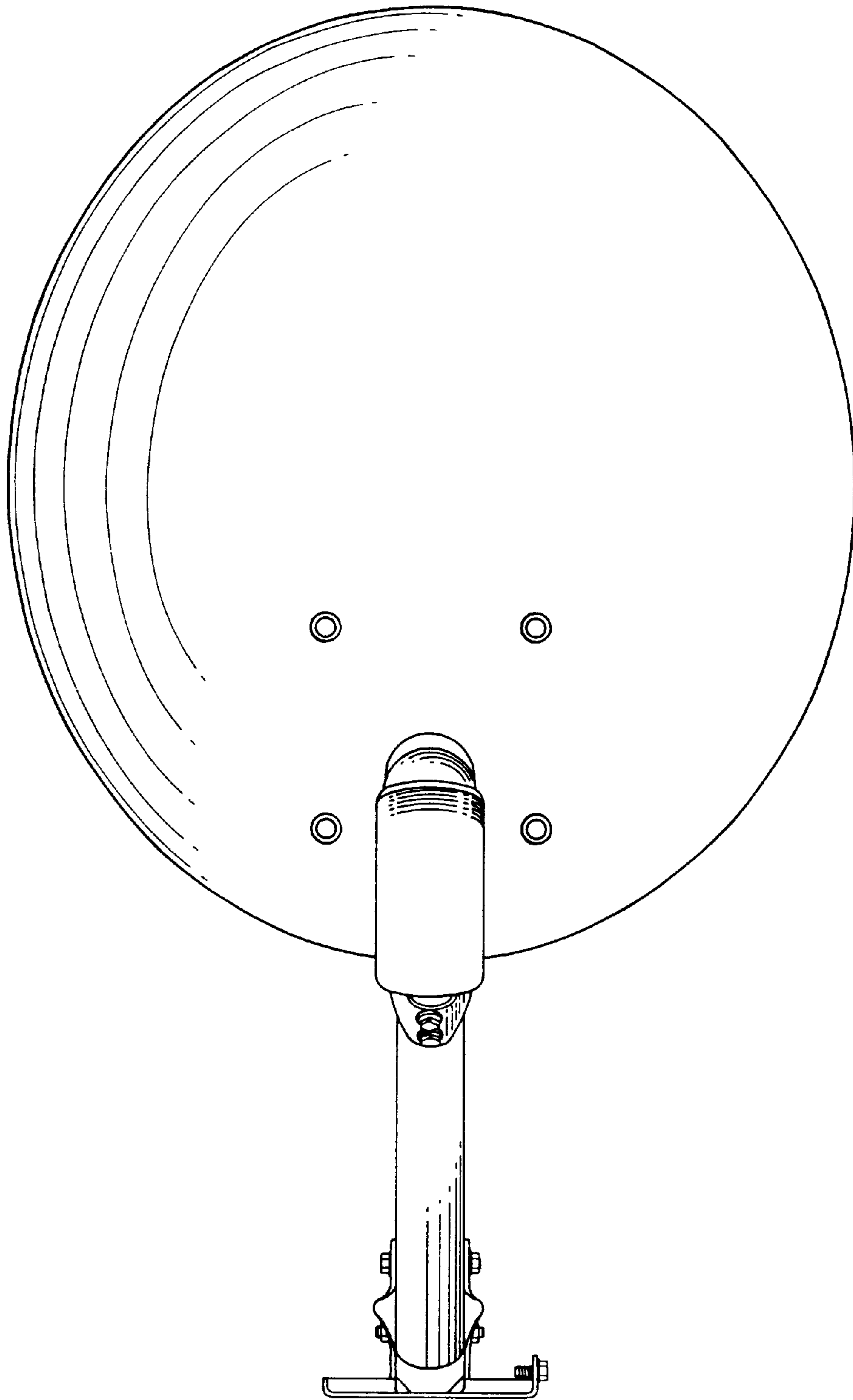


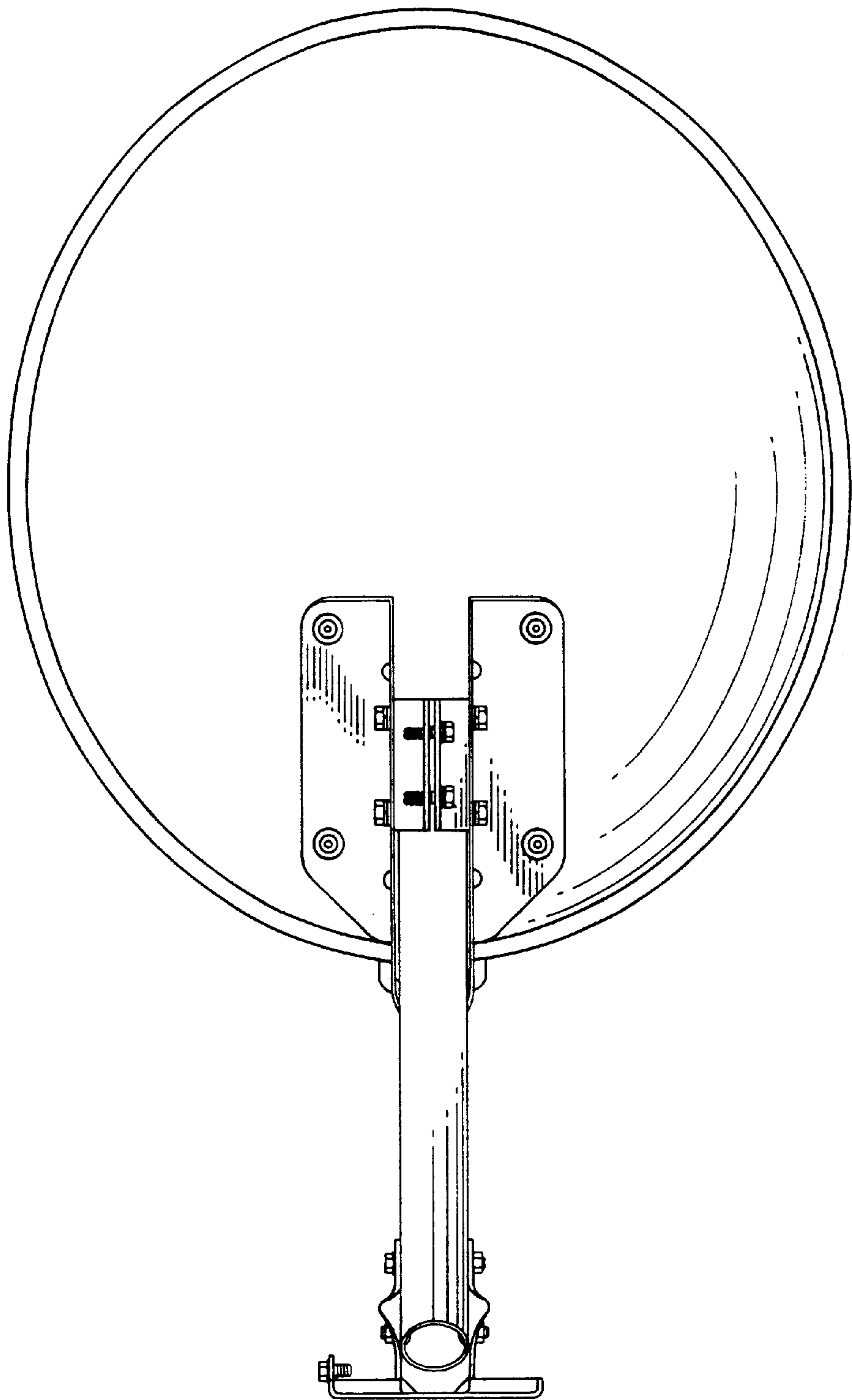
FIG. 1



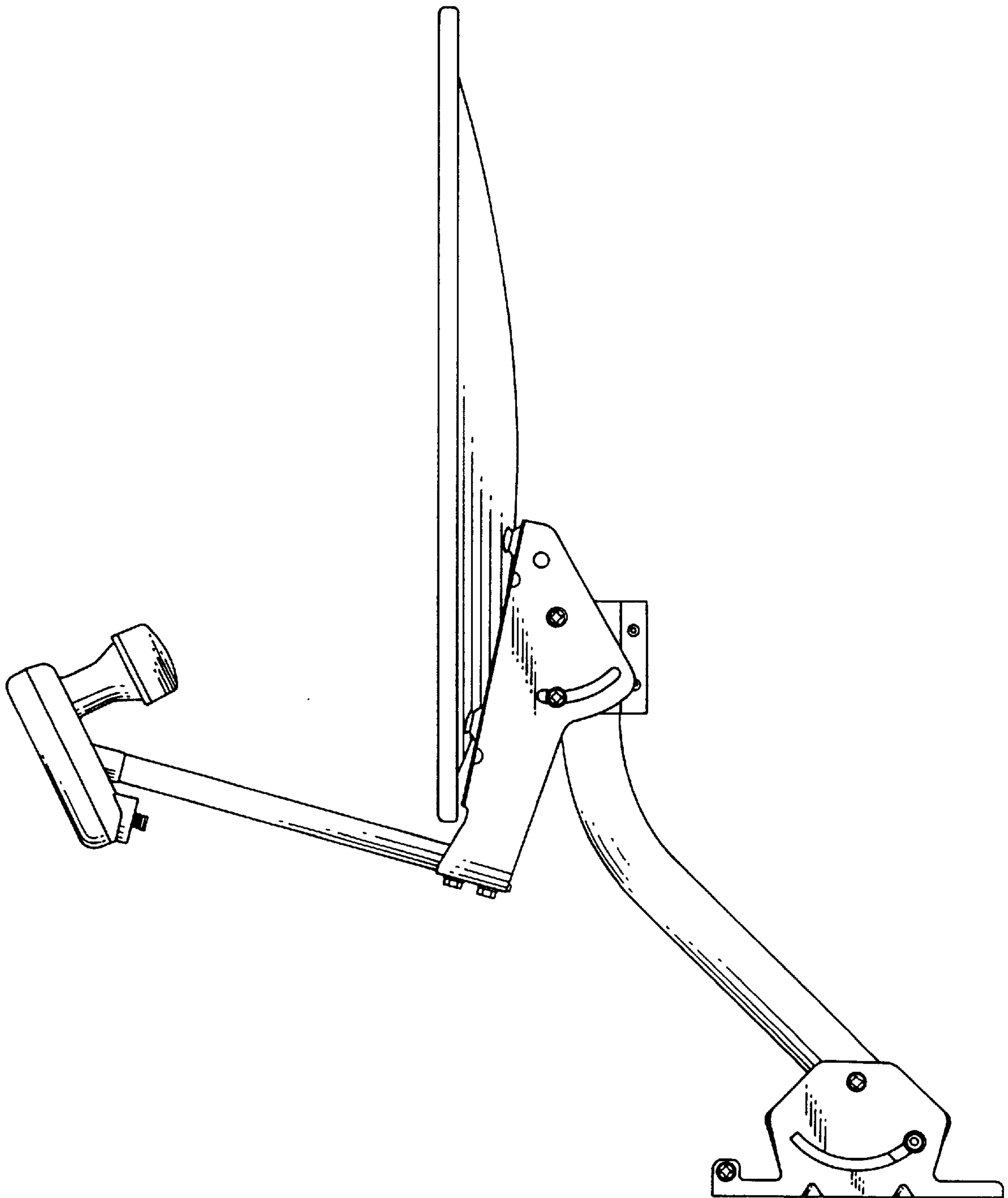
F I G . 2



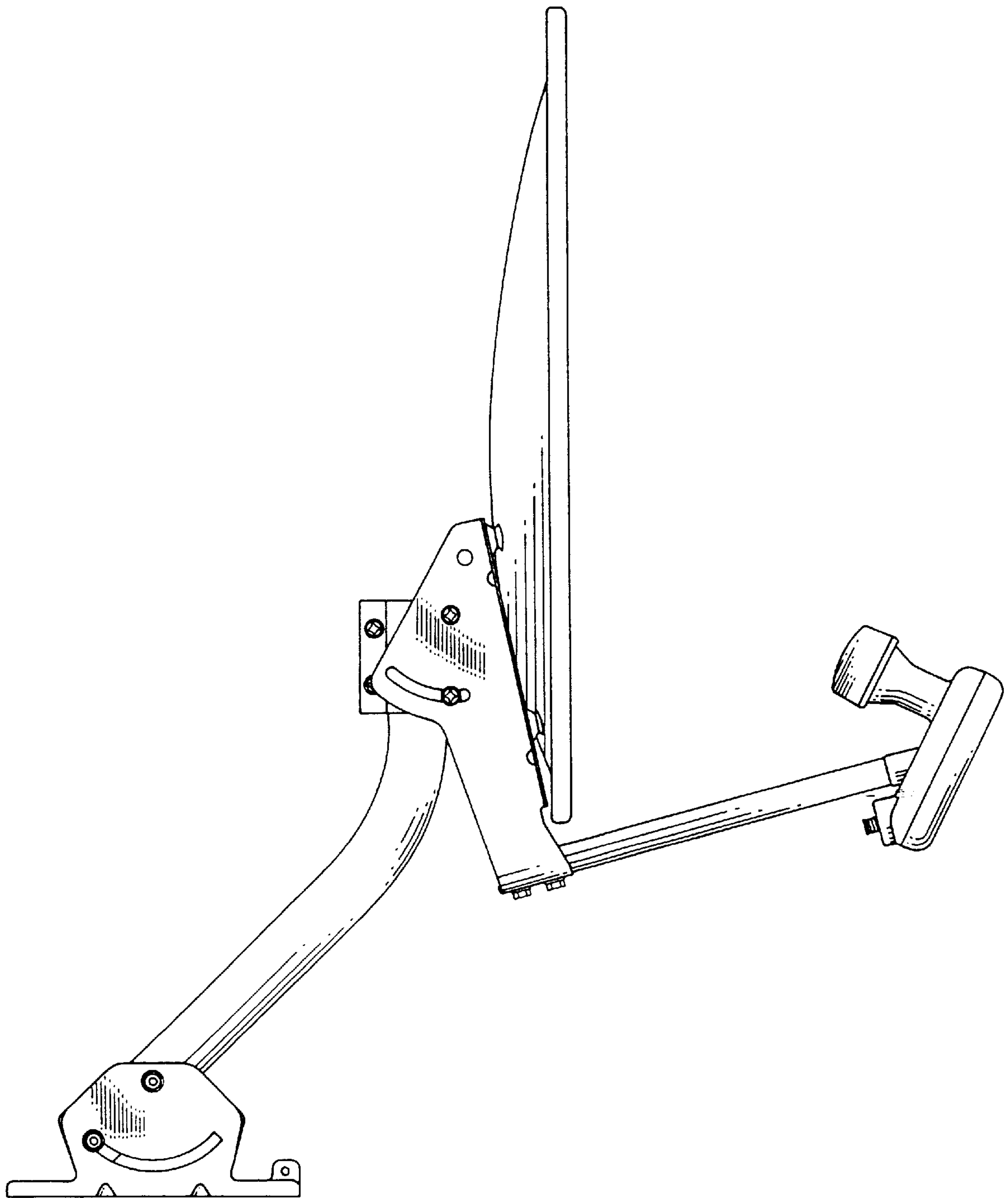
F I G . 3



F I G . 4



F I G . 5



F I G . 6

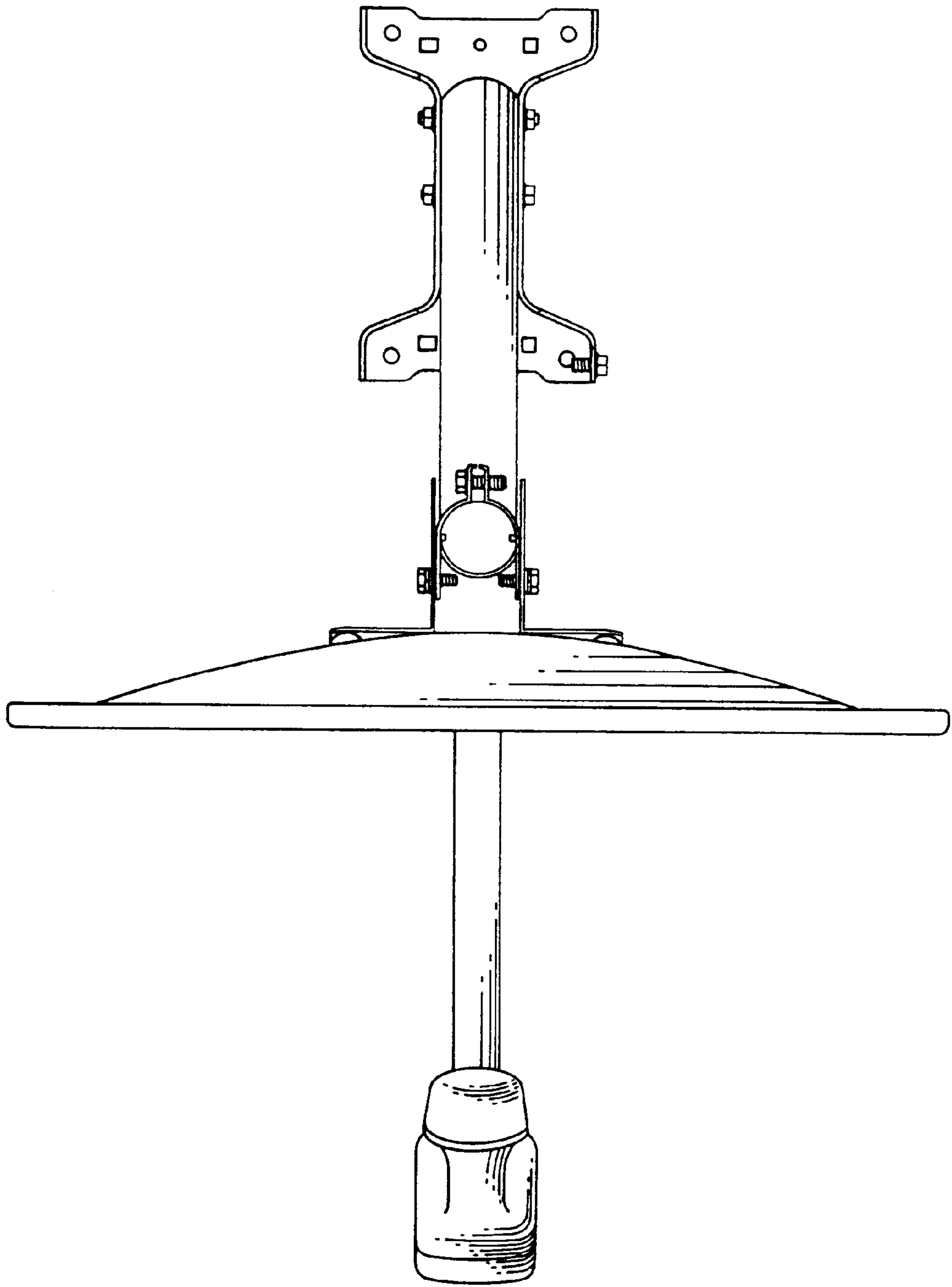
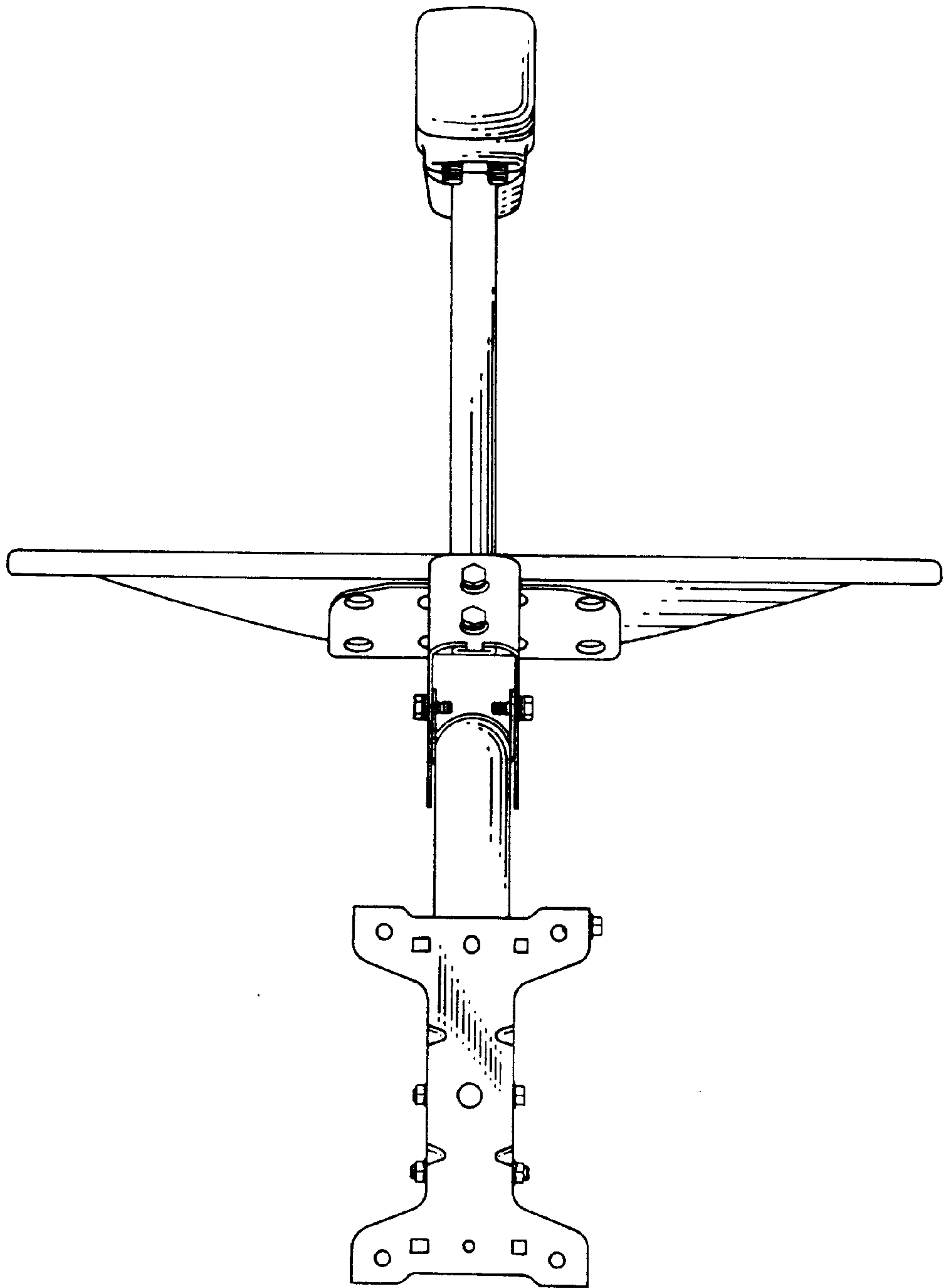


FIG. 7



F I G . 8

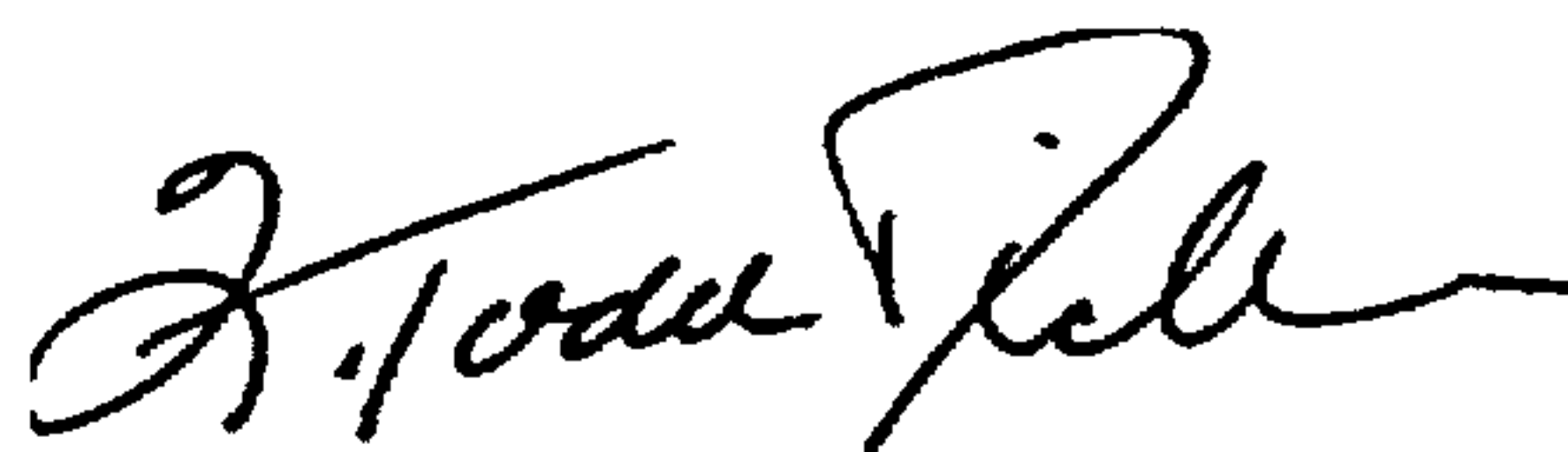
UNITED STATES PATENT AND TRADEMARK OFFICE
CERTIFICATE OF CORRECTION

PATENT NO. : Des. 411,999
DATED : July 13, 1999
INVENTOR(S) : Shigemi Inoue

It is certified that error appears in the above-identified patent and that said Letters Patent is hereby corrected as shown below:

Cover page, Related U.S. Application Data, [63] delete "1998" and insert therefor --1997--.

Signed and Sealed this
Fourth Day of April, 2000



Q. TODD DICKINSON

Director of Patents and Trademarks

Attest:

Attesting Officer