



US00D411998S

United States Patent [19]

Hakoda et al.

[11] Patent Number: Des. 411,998

[45] Date of Patent: ** Jul. 13, 1999

[54] REMOTE CONTROLLER

[75] Inventors: **Katsuhisa Hakoda; Daisuke Ishii**, both of Tokyo, Japan

[73] Assignee: **Sony Corporation**, Tokyo, Japan

[**] Term: **14 Years**

[21] Appl. No.: **29/075,281**

[22] Filed: **Aug. 29, 1997**

[51] LOC (6) Cl. **14-03**

[52] U.S. Cl. **D14/218**

[58] Field of Search D14/217, 218; D13/168; 348/734; 455/151.1, 151.2, 151.3, 151.4, 152.1, 352-355; 200/331

[56] References Cited

U.S. PATENT DOCUMENTS

D. 318,670	7/1991	Taniguchi	D14/205
D. 322,609	12/1991	Patton	D14/218
D. 326,655	6/1992	Iribe	D14/192
D. 344,043	2/1994	Taniguchi et al.	D14/205
D. 344,522	2/1994	Taniguchi	D14/218
D. 344,523	2/1994	Kanno	D14/218
D. 344,524	2/1994	Taniguchi	D14/218

OTHER PUBLICATIONS

A picture disclosed in a conference held in the U.S. in the early Jun., 1997 (PelaPela MD Walkman, Sony, and its accessory (remote controller)).

Primary Examiner—Ruth McInroy
Attorney, Agent, or Firm—Foley & Lardner

[57] CLAIM

The ornamental design for a remote controller, as shown and described.

DESCRIPTION

FIG. 1 is a perspective view of a first embodiment of a remote controller showing our new design;

FIG. 2 is a top plan view thereof;

FIG. 3 is a left side elevational view thereof;

FIG. 4 is a front elevational view thereof;

FIG. 5 is a bottom plan view thereof;

FIG. 6 is a right side elevational view thereof;

FIG. 7 is a rear elevational view thereof;

FIG. 8 is a perspective view of a second embodiment of a remote controller showing our new design;

FIG. 9 is a top plan view thereof;

FIG. 10 is a left side elevational view thereof;

FIG. 11 is a front elevational view thereof;

FIG. 12 is a bottom plan view thereof;

FIG. 13 is a left side elevational view thereof; and,

FIG. 14 is a rear elevational view thereof.

1 Claim, 6 Drawing Sheets

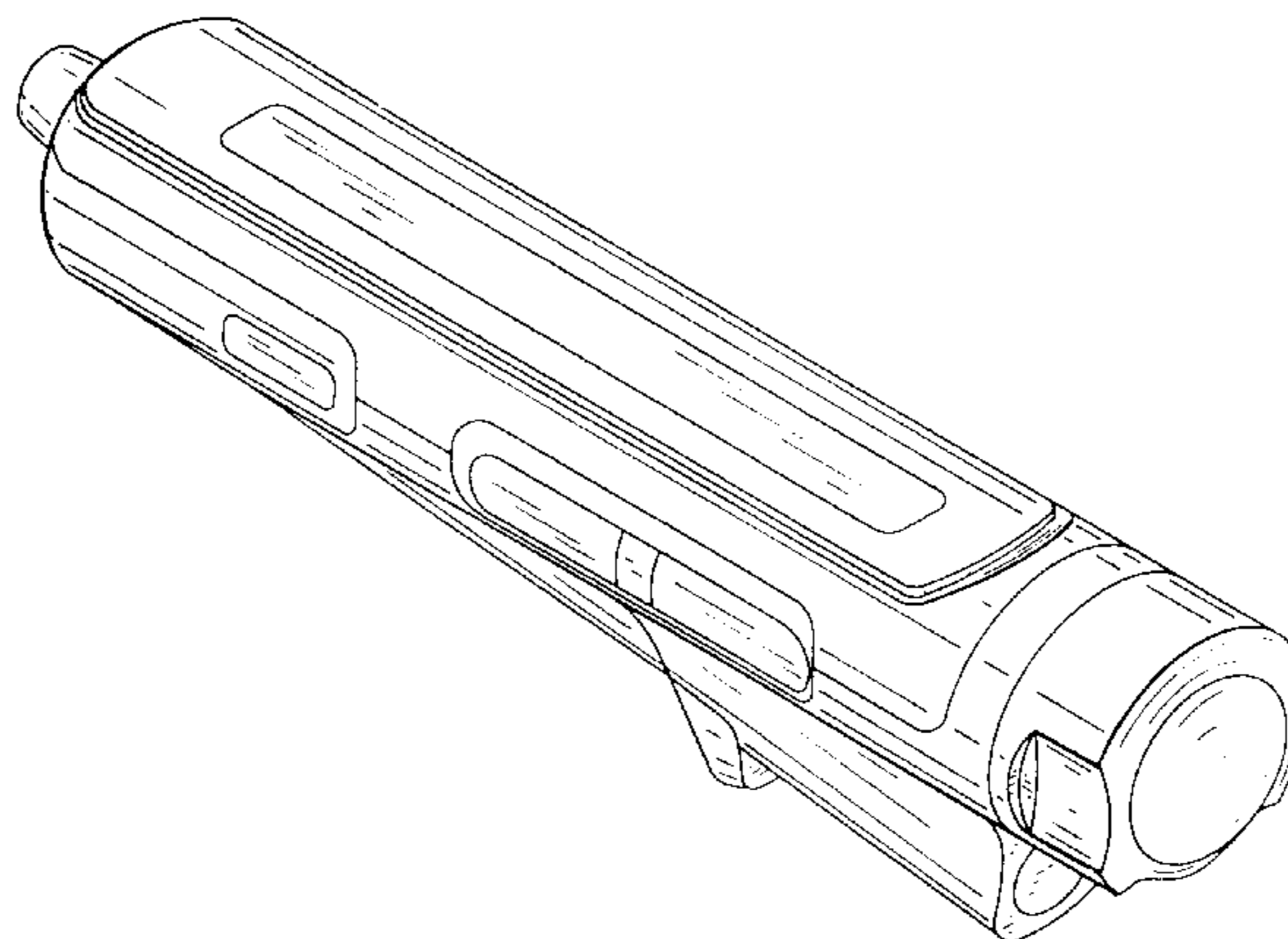
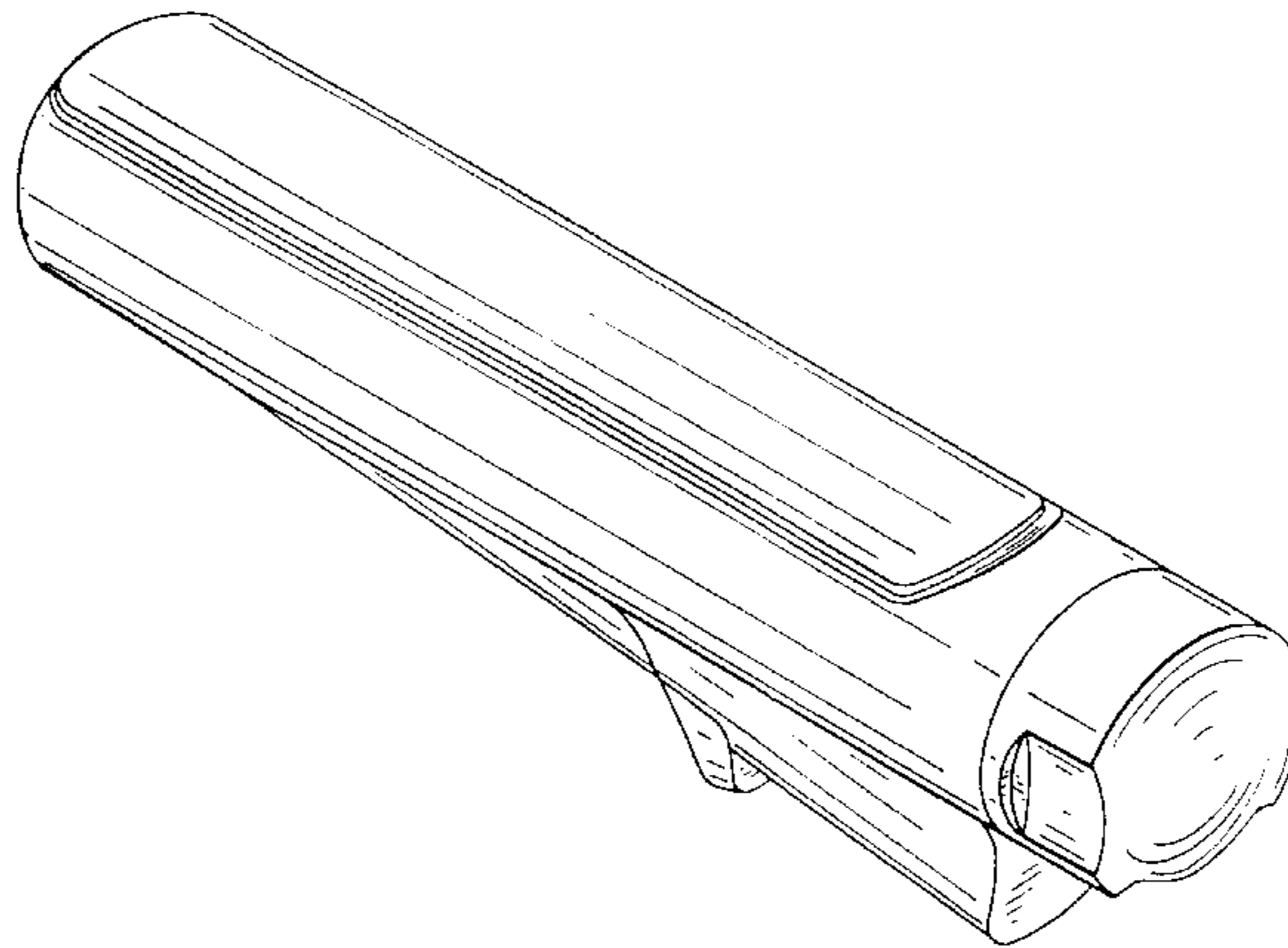


FIG. 1

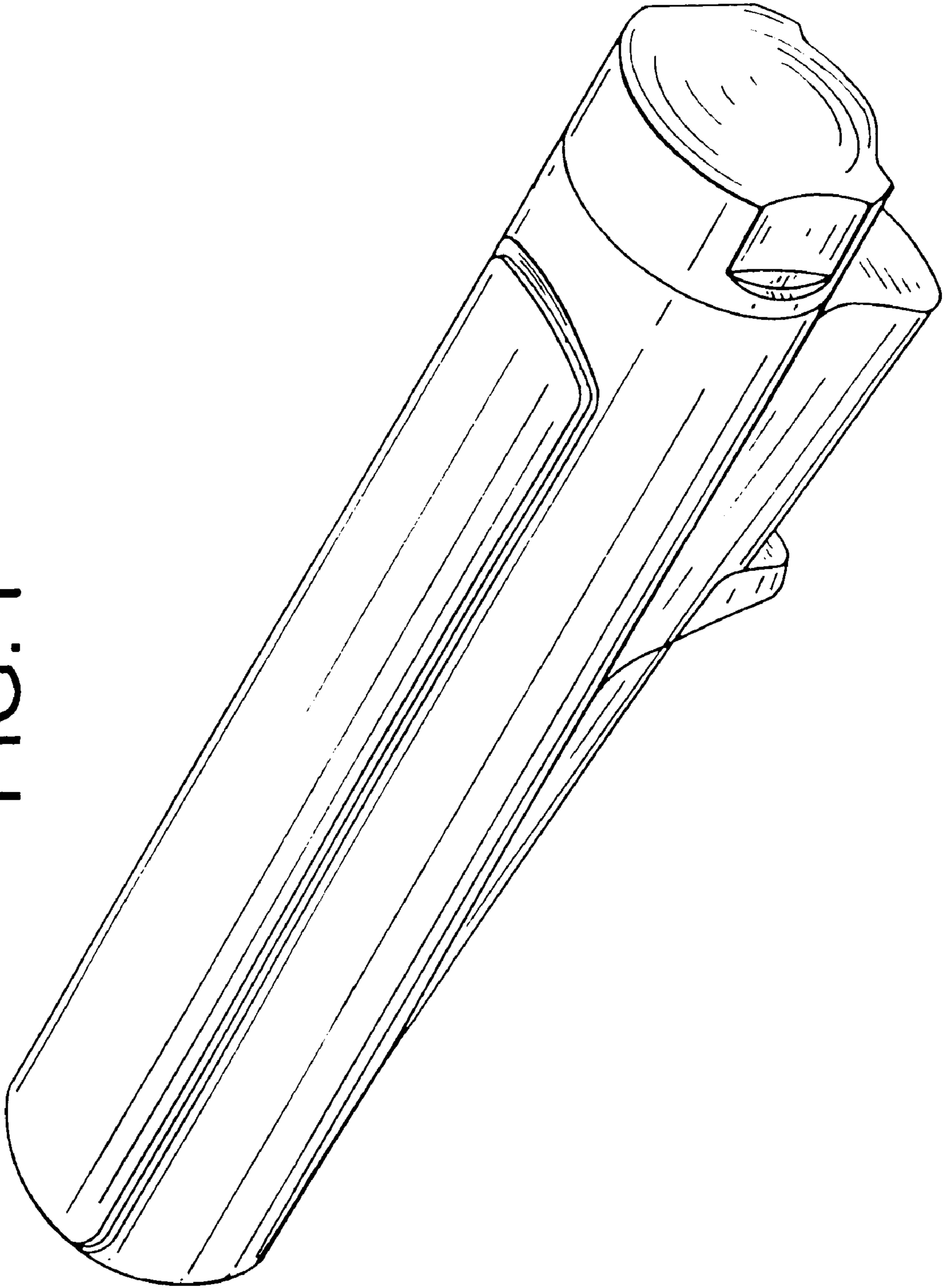


FIG. 2

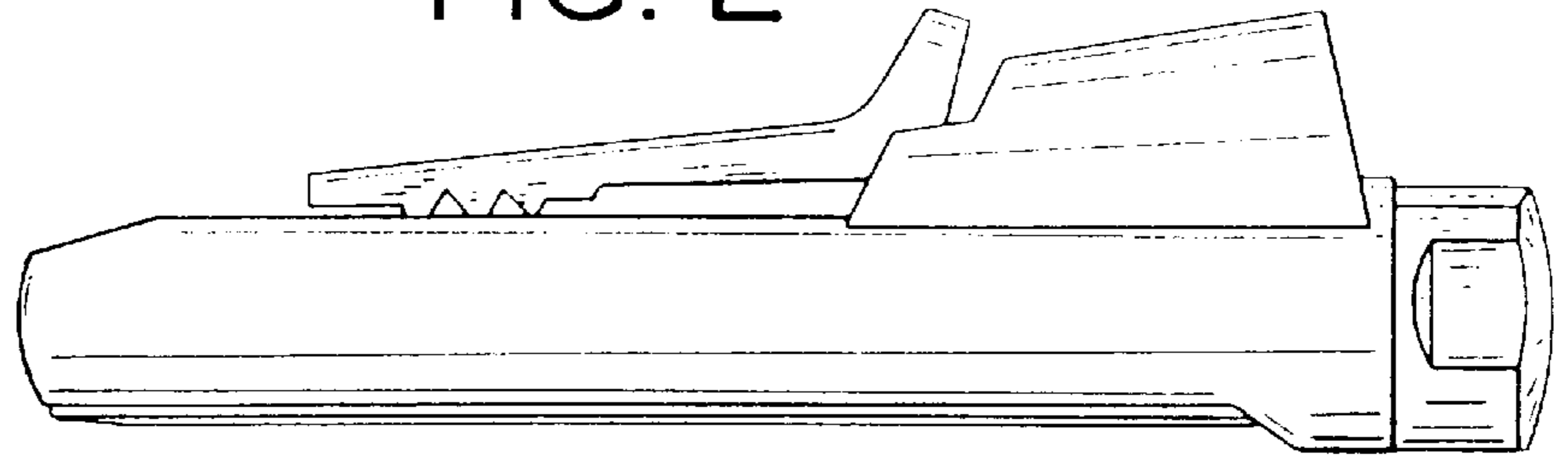


FIG. 3

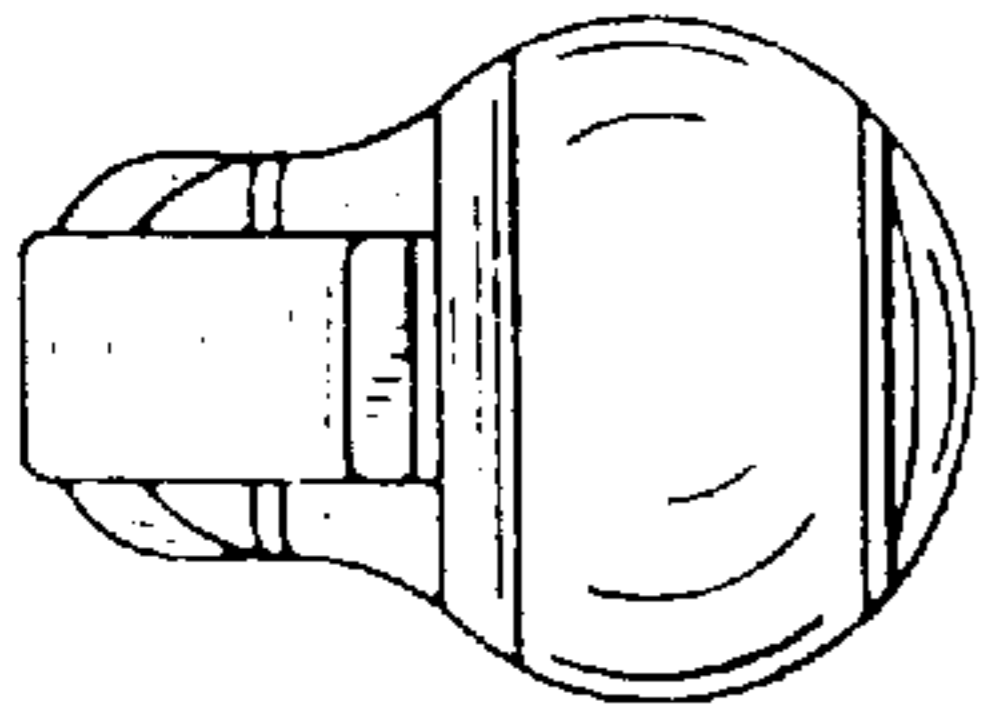


FIG. 4

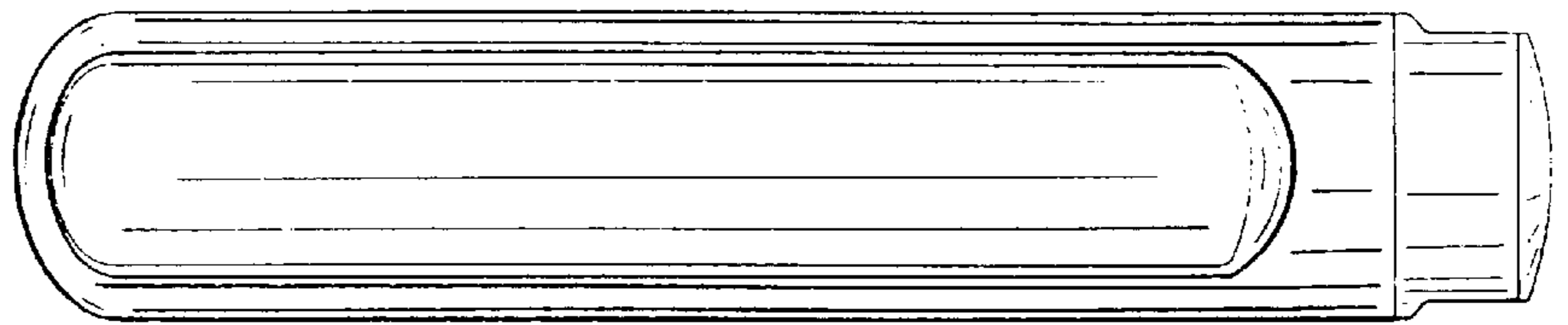


FIG. 5

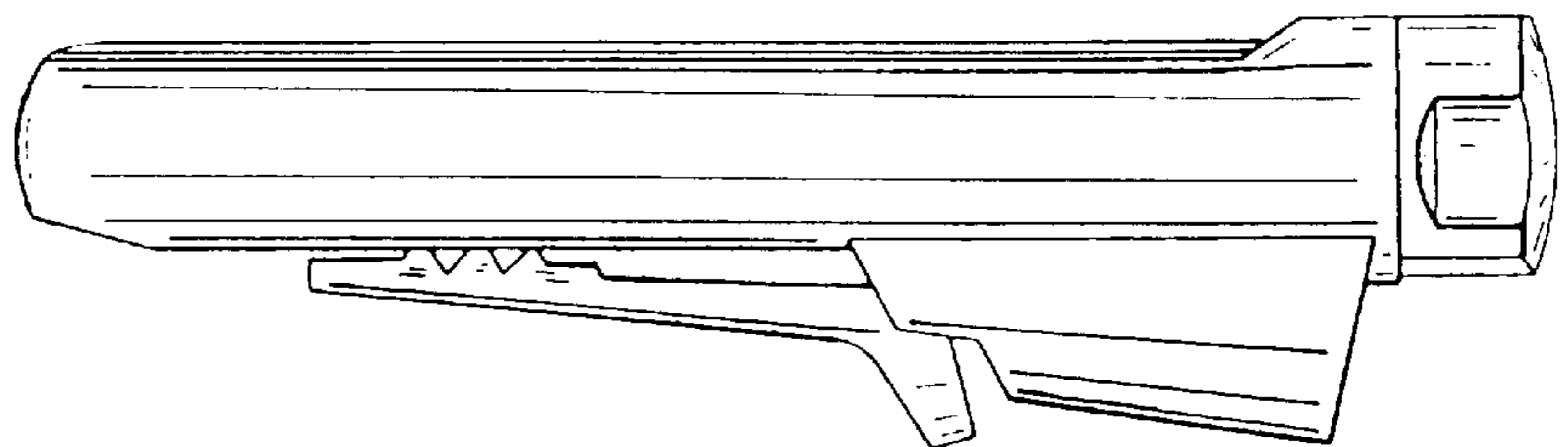


FIG. 6

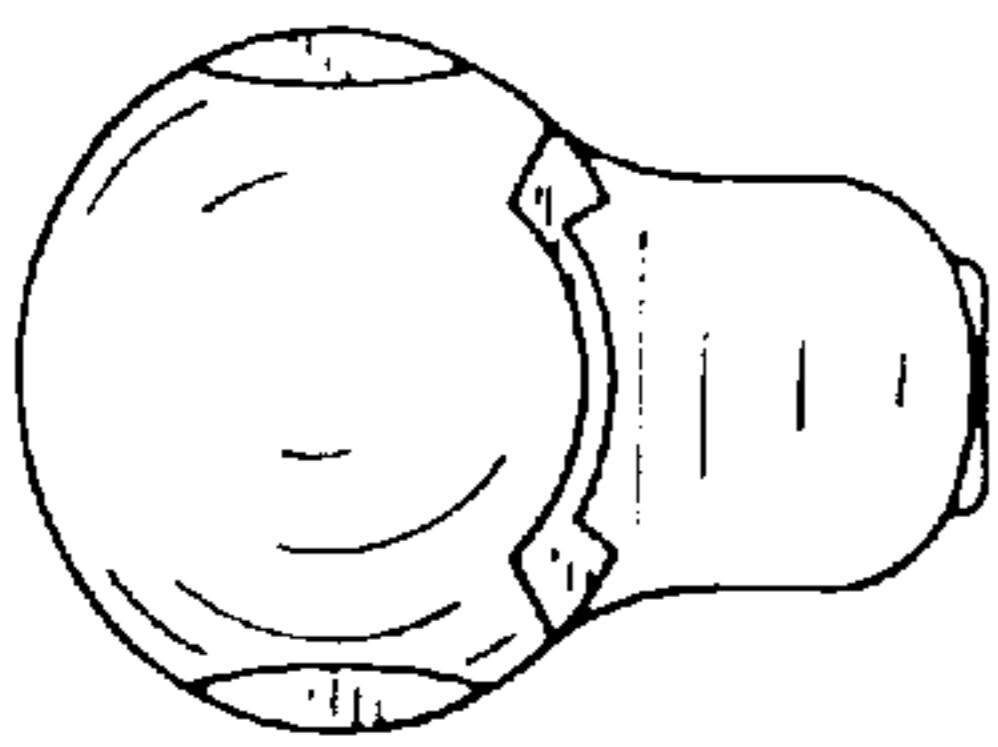


FIG. 7

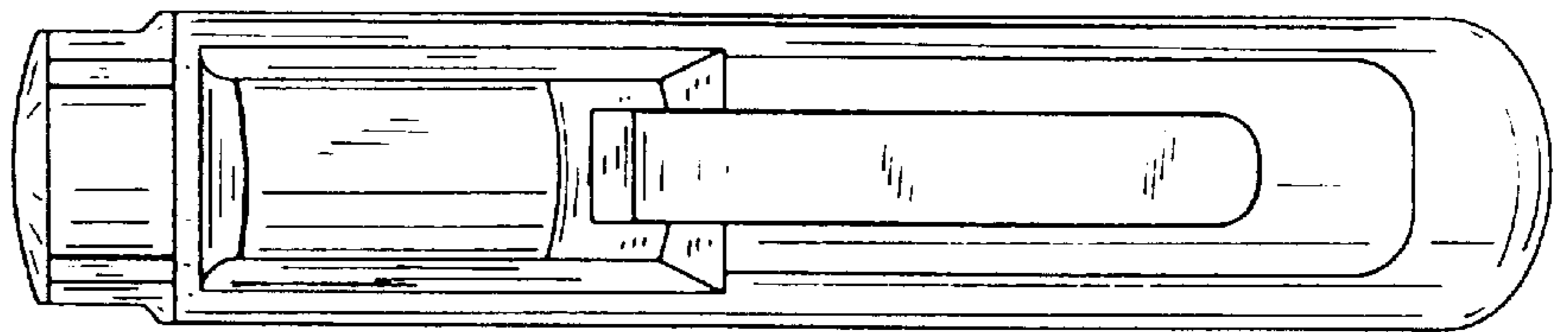


FIG. 8

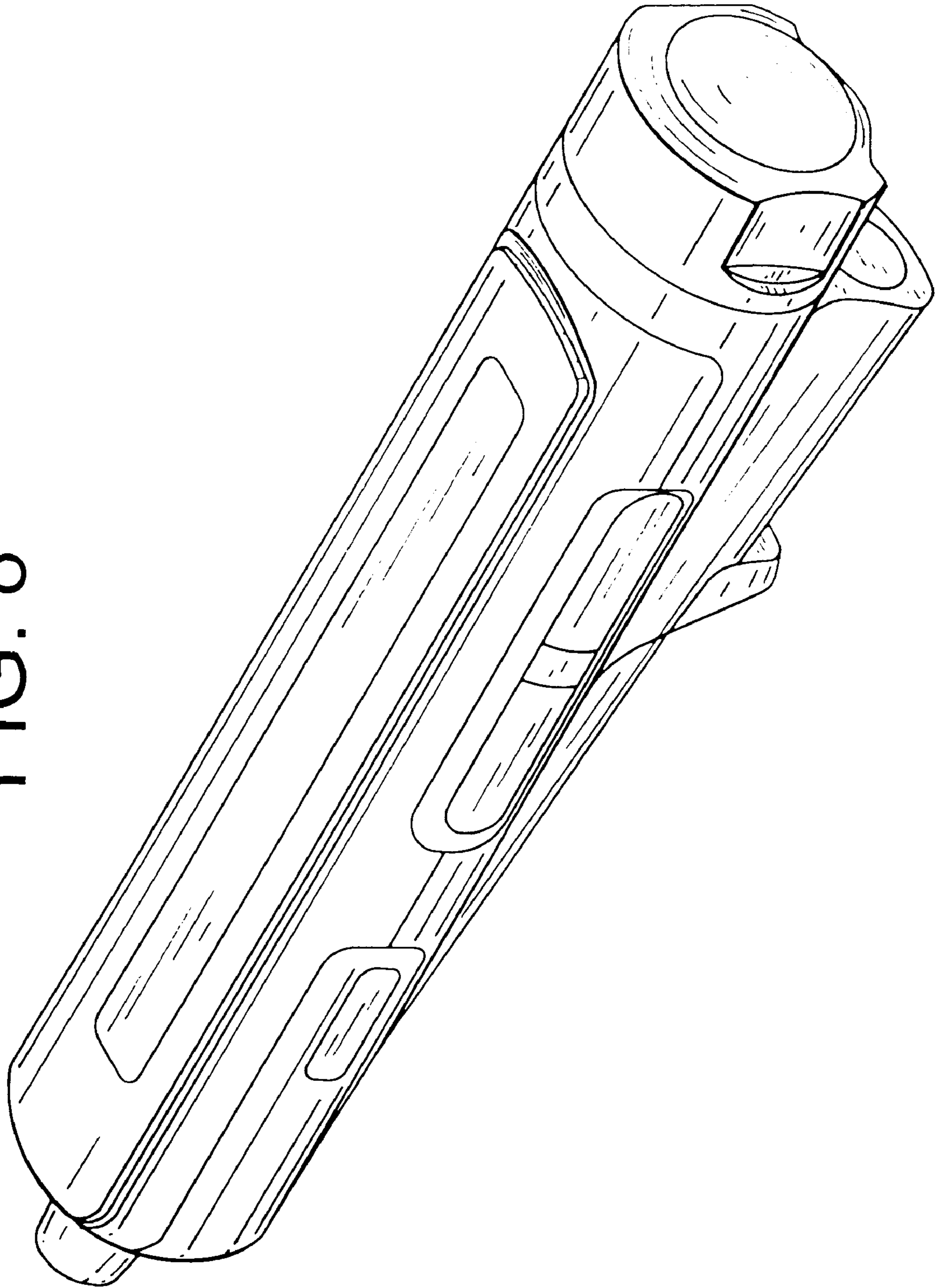


FIG. 9

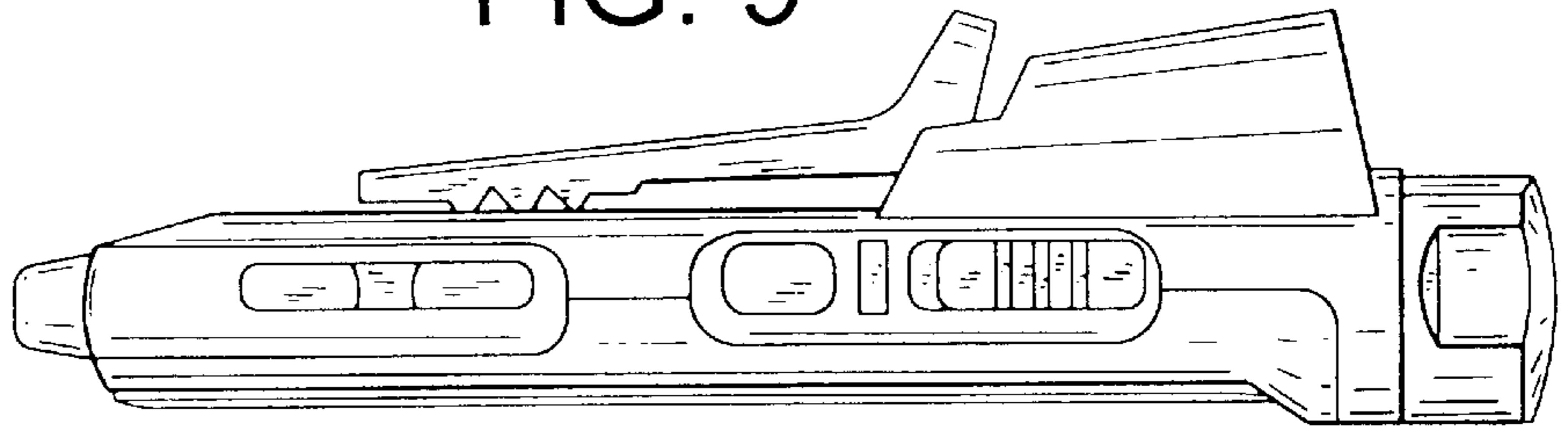


FIG. 10

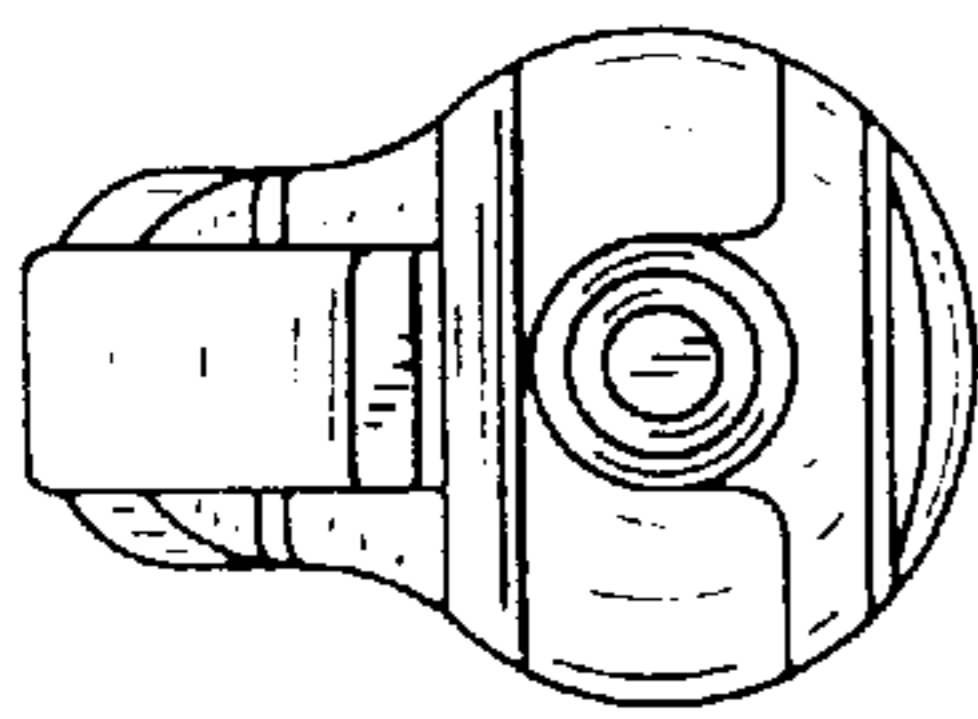


FIG. 11

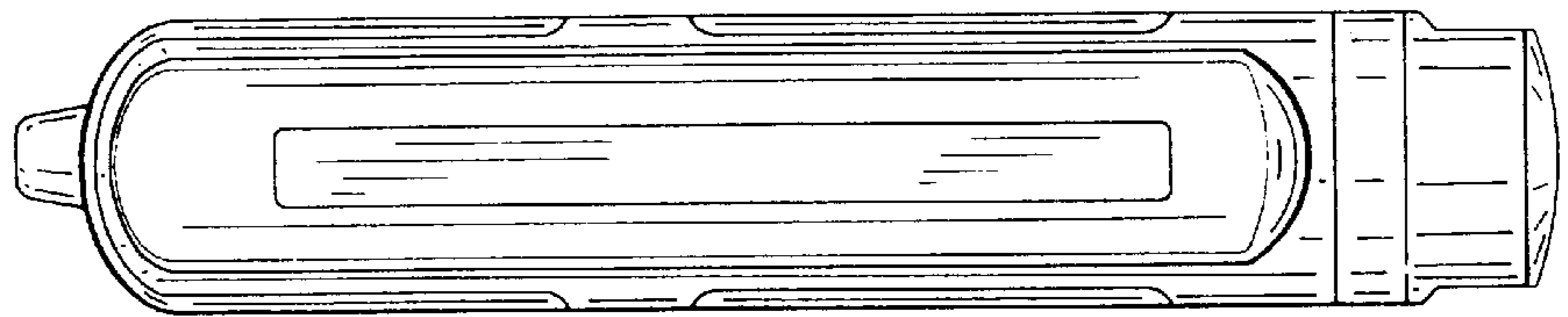


FIG. 12

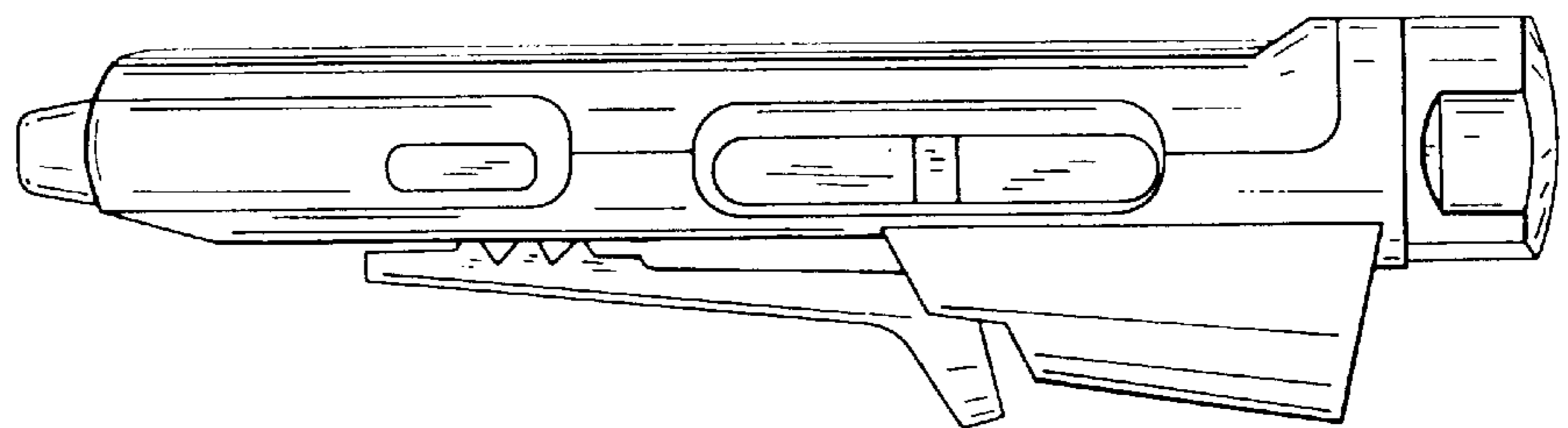


FIG. 13

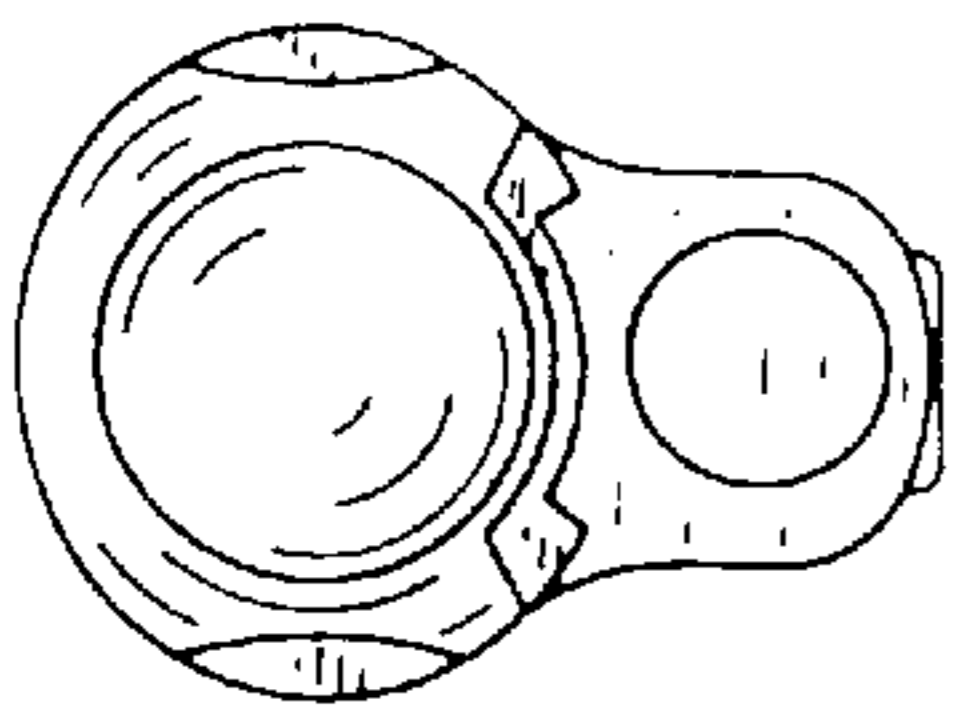


FIG. 14

