



US00D411996S

United States Patent [19] Yamazaki

[11] **Patent Number: Des. 411,996**

[45] **Date of Patent: ** Jul. 13, 1999**

[54] **COMBINED DISC PLAYER AND RECEIVER**

[75] Inventor: **Akira Yamazaki**, Tokyo, Japan

[73] Assignee: **Sony Corporation**, Tokyo, Japan

[**] Term: **14 Years**

[21] Appl. No.: **29/084,457**

[22] Filed: **Mar. 4, 1998**

D. 367,275 2/1996 Ito et al. D14/188
D. 372,915 8/1996 Ito et al. D14/188
5,459,702 10/1995 Greenspan D14/188 X

OTHER PUBLICATIONS

Sony Catalog "87", pp. 186, 187 & 188, (Nov. 1997).

Primary Examiner—Nanda Bondade
Attorney, Agent, or Firm—Foley & Lardner

Related U.S. Application Data

[51] **LOC (6) Cl.** **14-01**

[52] **U.S. Cl.** **D14/168; D14/156**

[58] **Field of Search** D14/124, 135-136,
D14/156-157, 162, 164, 168, 193-198,
239, 257-260, 265, 299; 312/7.1; 455/6.1,
344, 347, 350, 351

[57] **CLAIM**

The ornamental design for a combined disc player and receiver, as shown and described.

DESCRIPTION

FIG. 1 is a perspective view of a combined disc player and receiver showing my new design;
FIG. 2 is a top plan view thereof;
FIG. 3 is a left side elevational view thereof;
FIG. 4 is a front elevational view thereof; and,
FIG. 5 is a right side elevational view thereof.

[56] **References Cited**

U.S. PATENT DOCUMENTS

D. 328,747 8/1992 Ito et al. D14/188

1 Claim, 3 Drawing Sheets

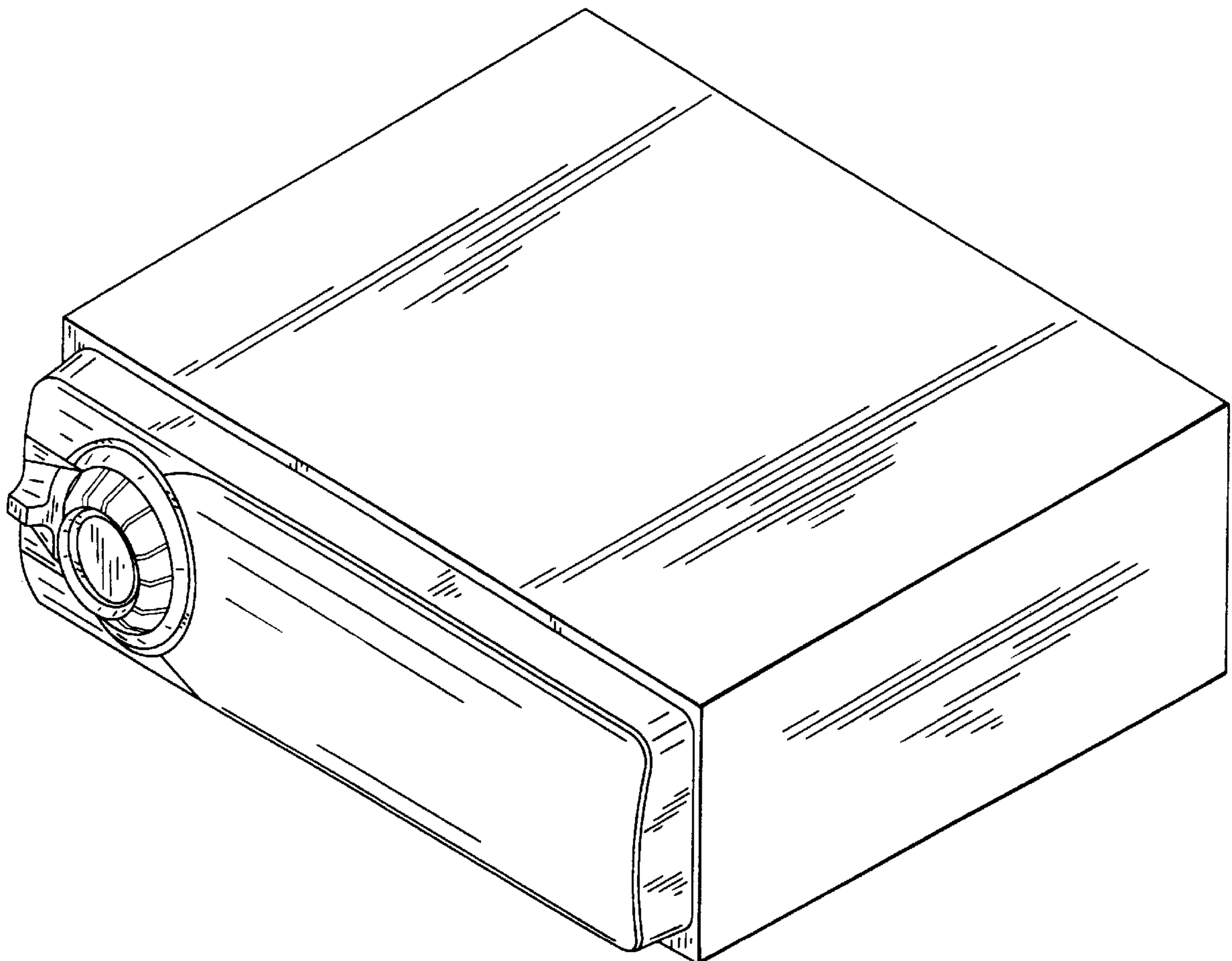


FIG. 1

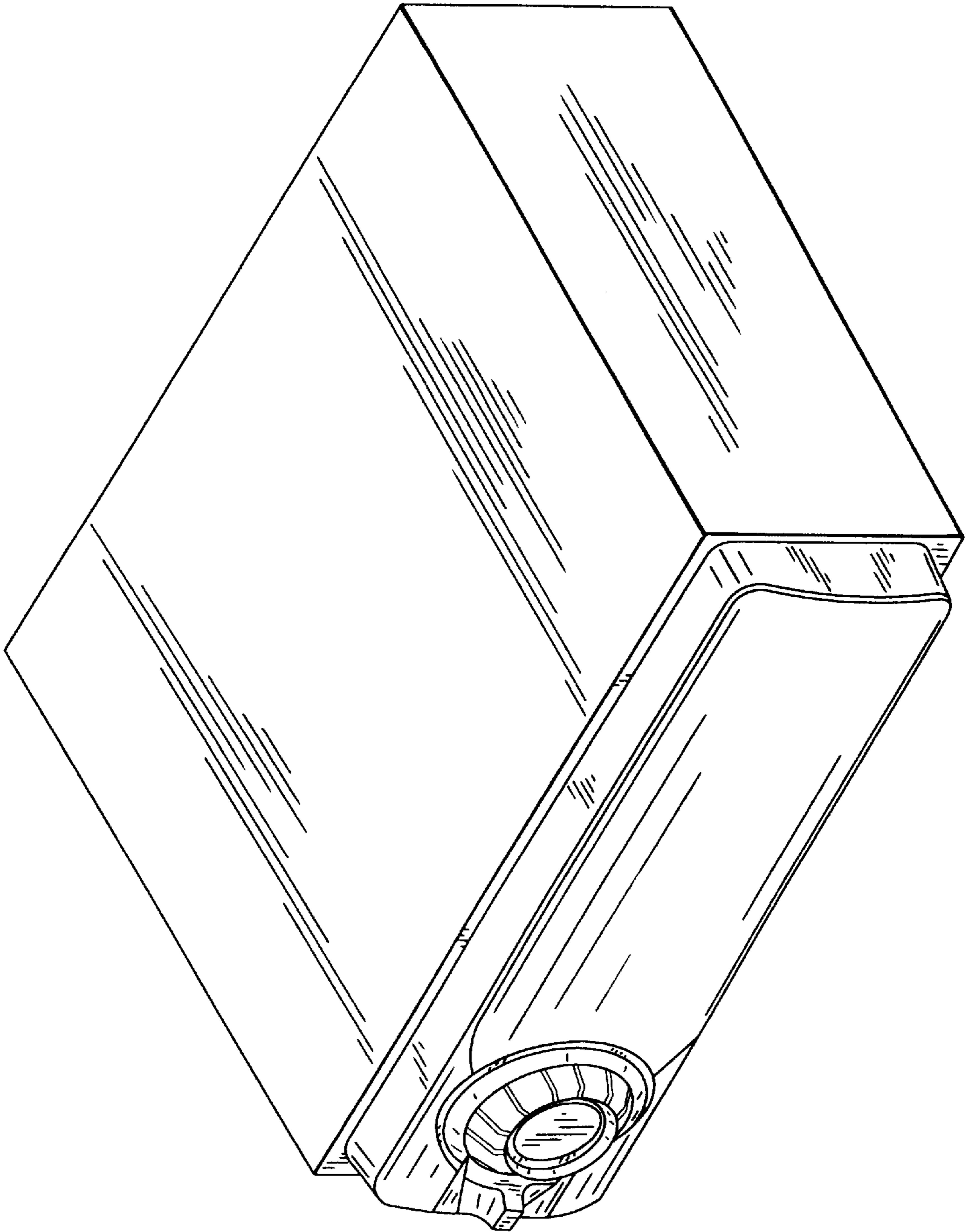


FIG. 2

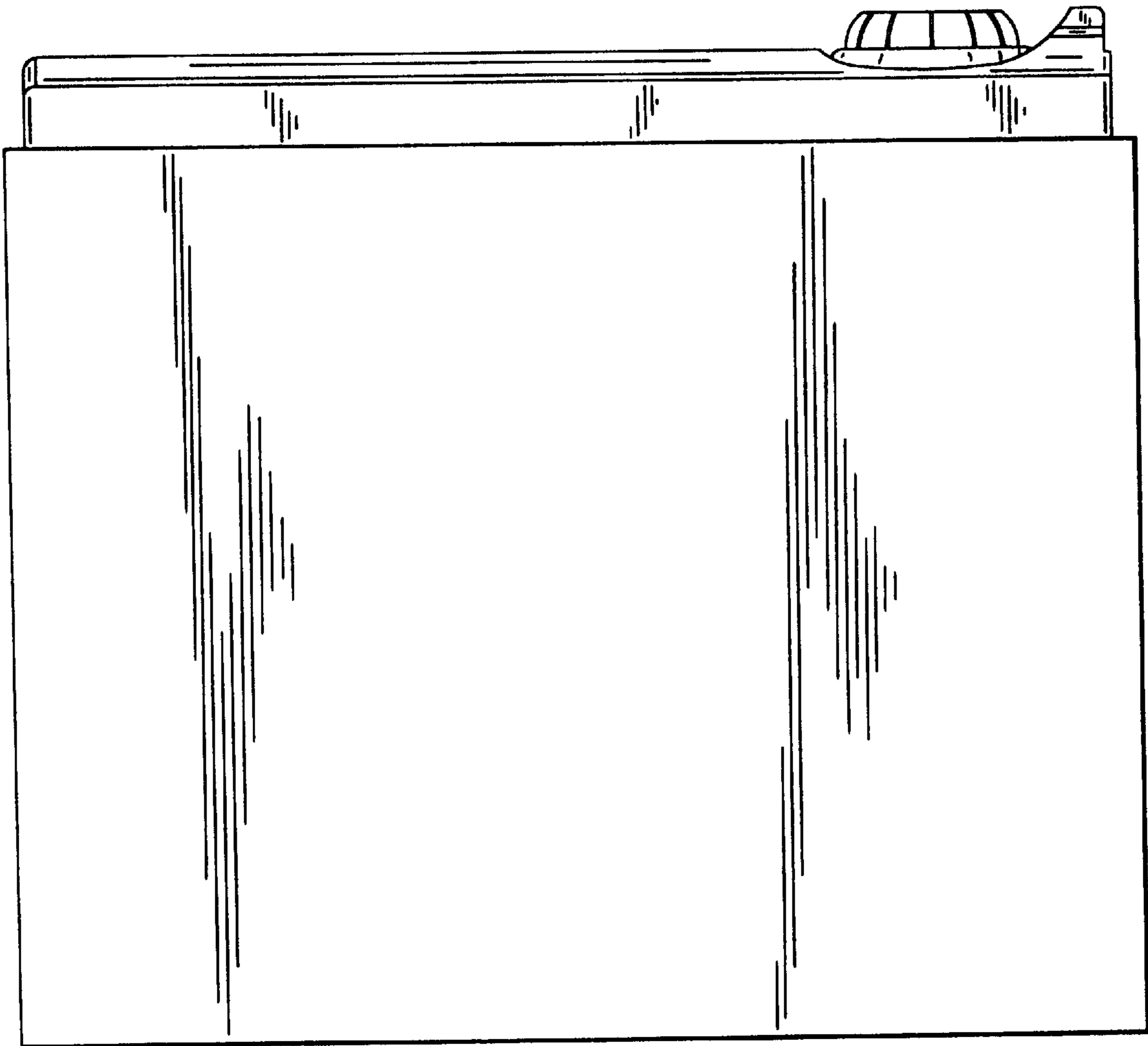


FIG. 3

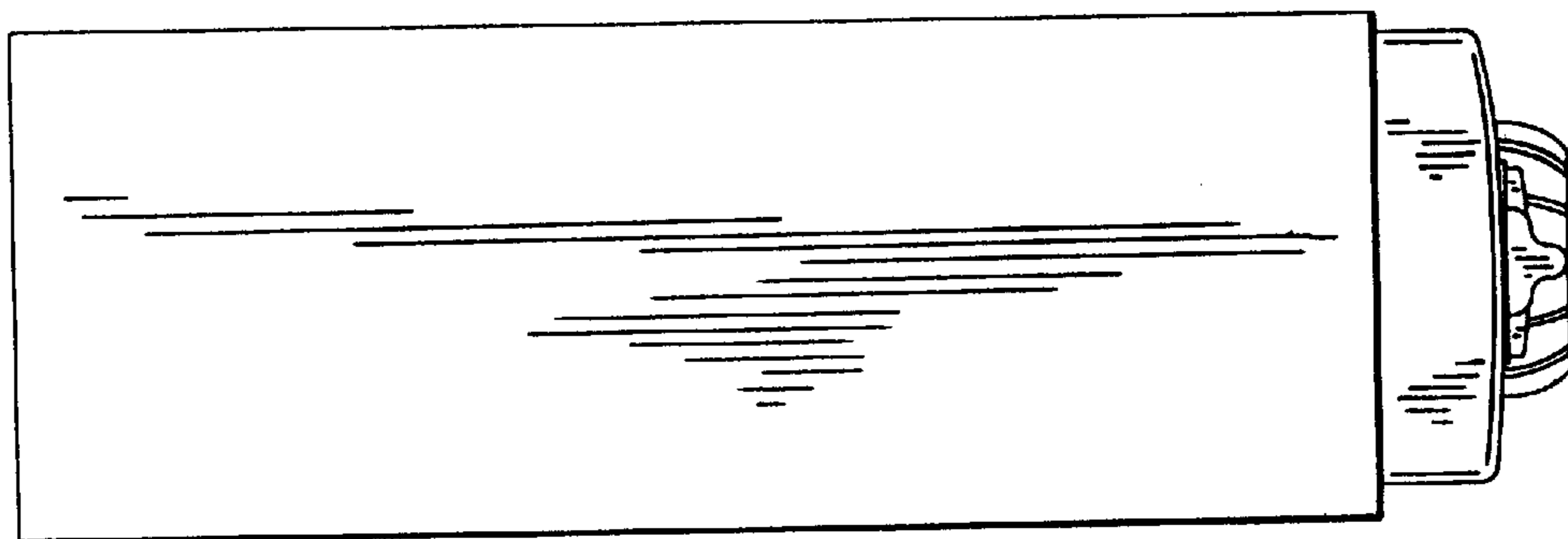


FIG. 4

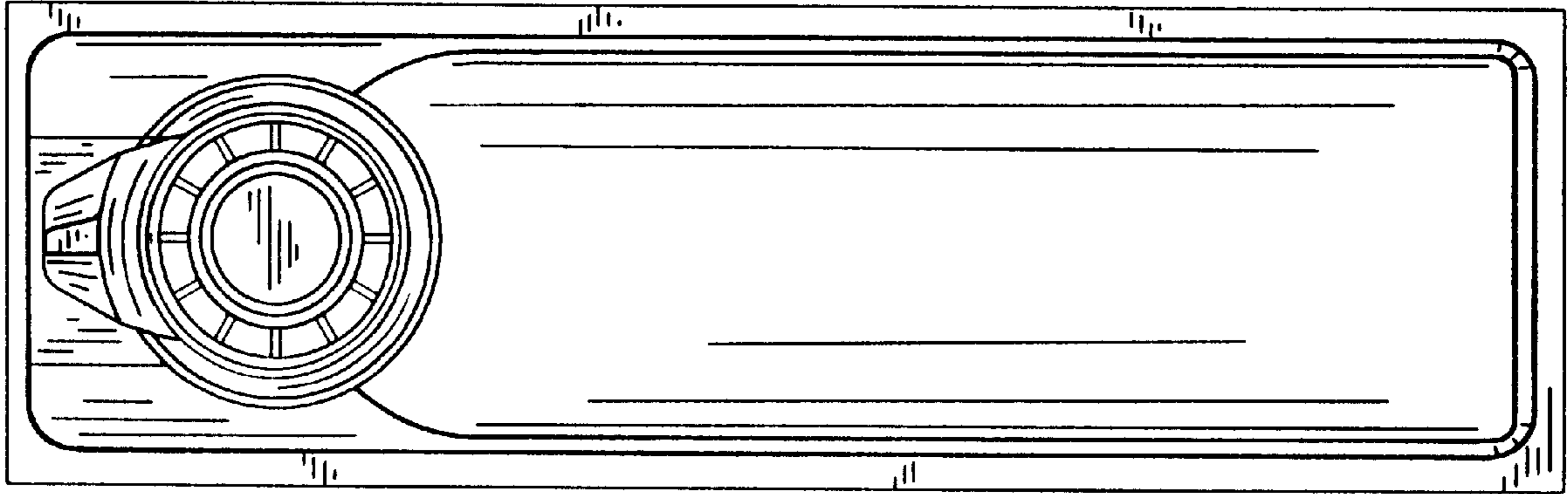


FIG. 5

