



US00D411993S

United States Patent [19]

Lee

[11] Patent Number: **Des. 411,993**

[45] Date of Patent: **** Jul. 13, 1999**

[54] **PANCAKE REEL HUB**

[75] Inventor: **Bong Young Lee**, Chunan-si, Rep. of Korea

[73] Assignee: **SKC Limited**, Kyungki-do, Rep. of Korea

[**] Term: **14 Years**

[21] Appl. No.: **29/062,542**

[22] Filed: **Nov. 18, 1996**

Related U.S. Application Data

[51] **LOC (6) Cl.** **14-99**

[52] **U.S. Cl.** **D14/120**

[58] **Field of Search** D14/120-123,
D14/299; 242/346, 346.2, 347, 347.2, 348,
615.2, 335; 360/60, 132, 135, 900

[56] References Cited

U.S. PATENT DOCUMENTS

- D. 284,077 6/1986 Kikuchi et al. D14/121
- D. 291,434 8/1987 Fujimoto D14/121
- D. 293,569 1/1988 Igarashi D14/122

- D. 312,633 12/1990 Dehnke et al. D14/121
- D. 316,257 4/1991 Yonehara D14/121
- D. 331,052 11/1992 Wada D14/122
- D. 351,153 10/1994 Kim et al. D14/122
- 3,702,907 11/1972 Sato 360/132
- 3,991,956 11/1976 Machida 242/346.2
- 4,358,071 11/1982 Okamura 242/346
- 4,715,558 12/1987 Fair et al. 242/345.2 X

Primary Examiner—Prabhakar Deshmukh
Attorney, Agent, or Firm—Richard M. Goldberg

[57] CLAIM

The ornamental design for a pancake reel hub, as shown and described.

DESCRIPTION

FIG. 1 is a perspective view of the pancake reel hub of my design;
FIG. 2 is a front elevational plan view thereof;
FIG. 3 is a rear elevational view thereof;
FIG. 4 is a top plan view thereof;
FIG. 5 is a bottom plan view thereof; and,
FIG. 6 is a left side elevational view thereof, with the right side elevational view being a mirror image thereof.

1 Claim, 3 Drawing Sheets

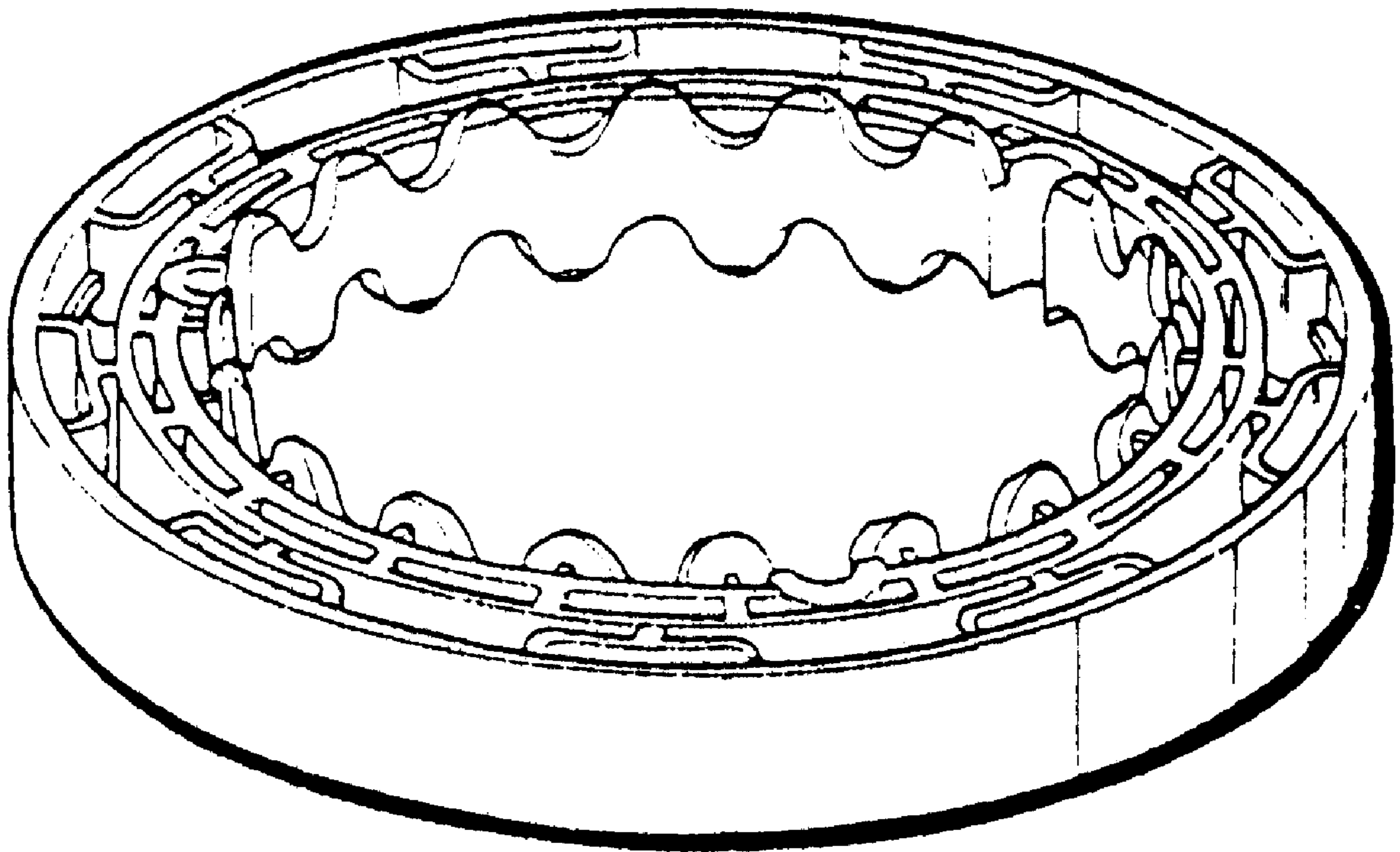


FIG. 1

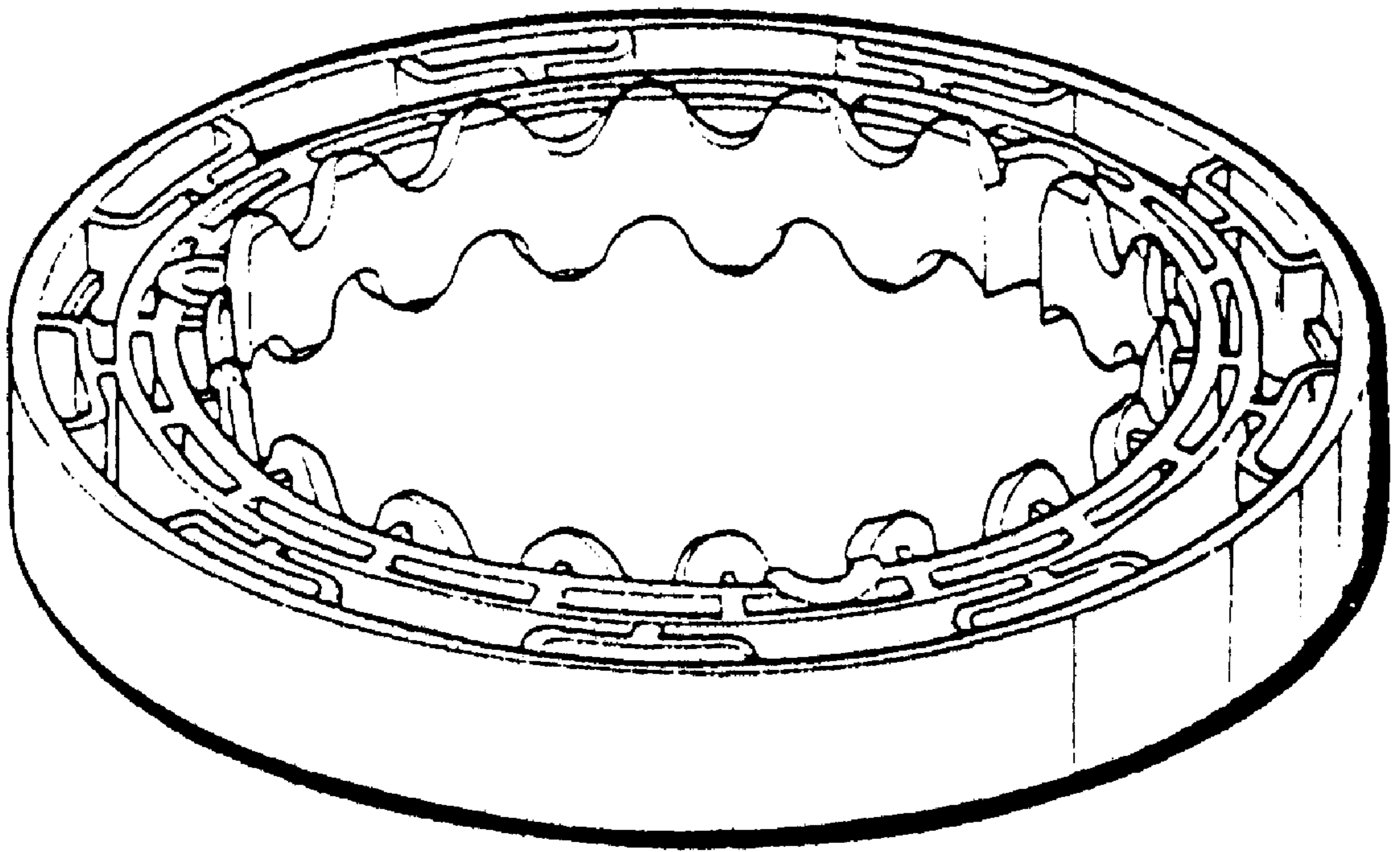


FIG. 2

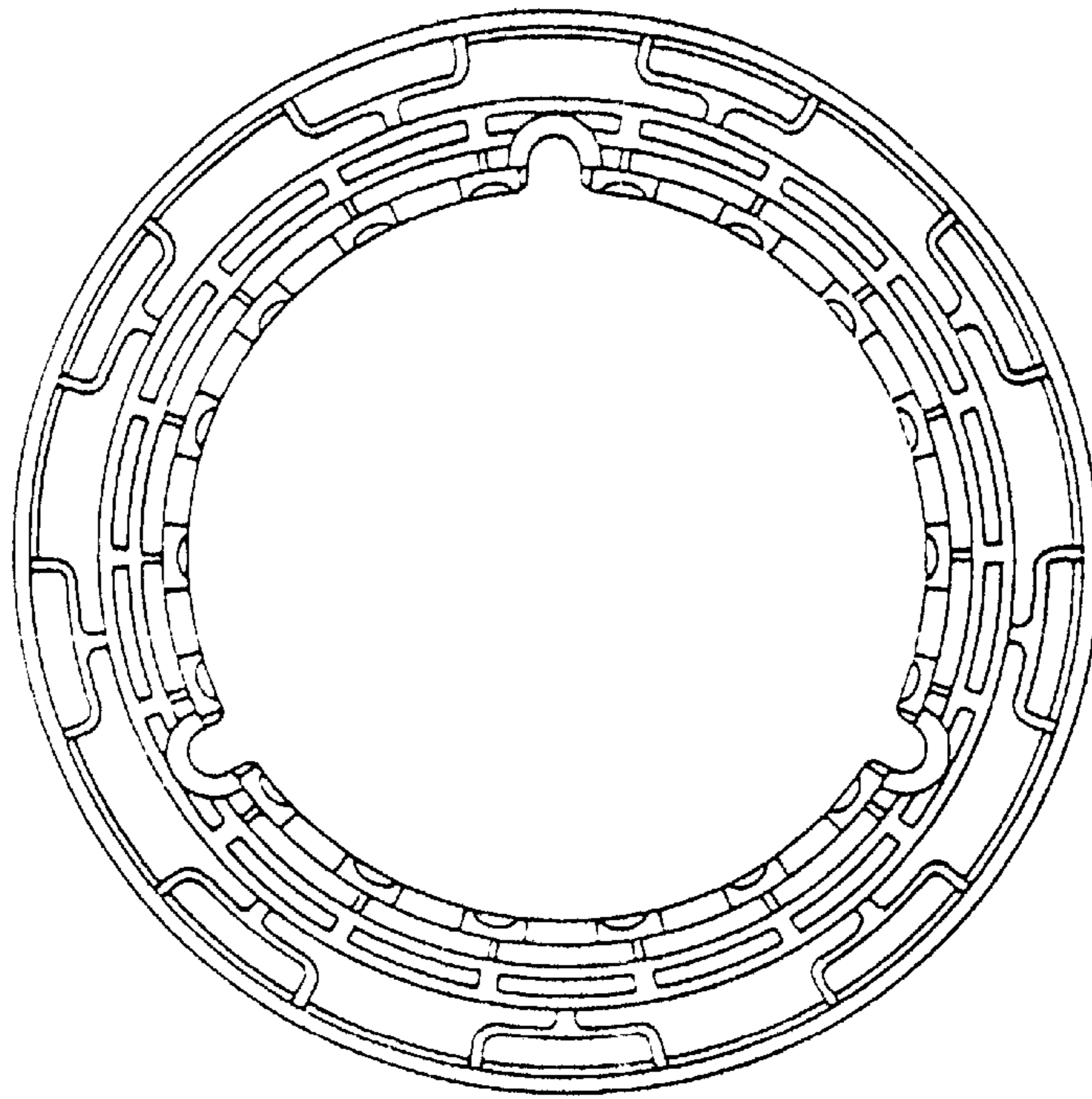


FIG. 3

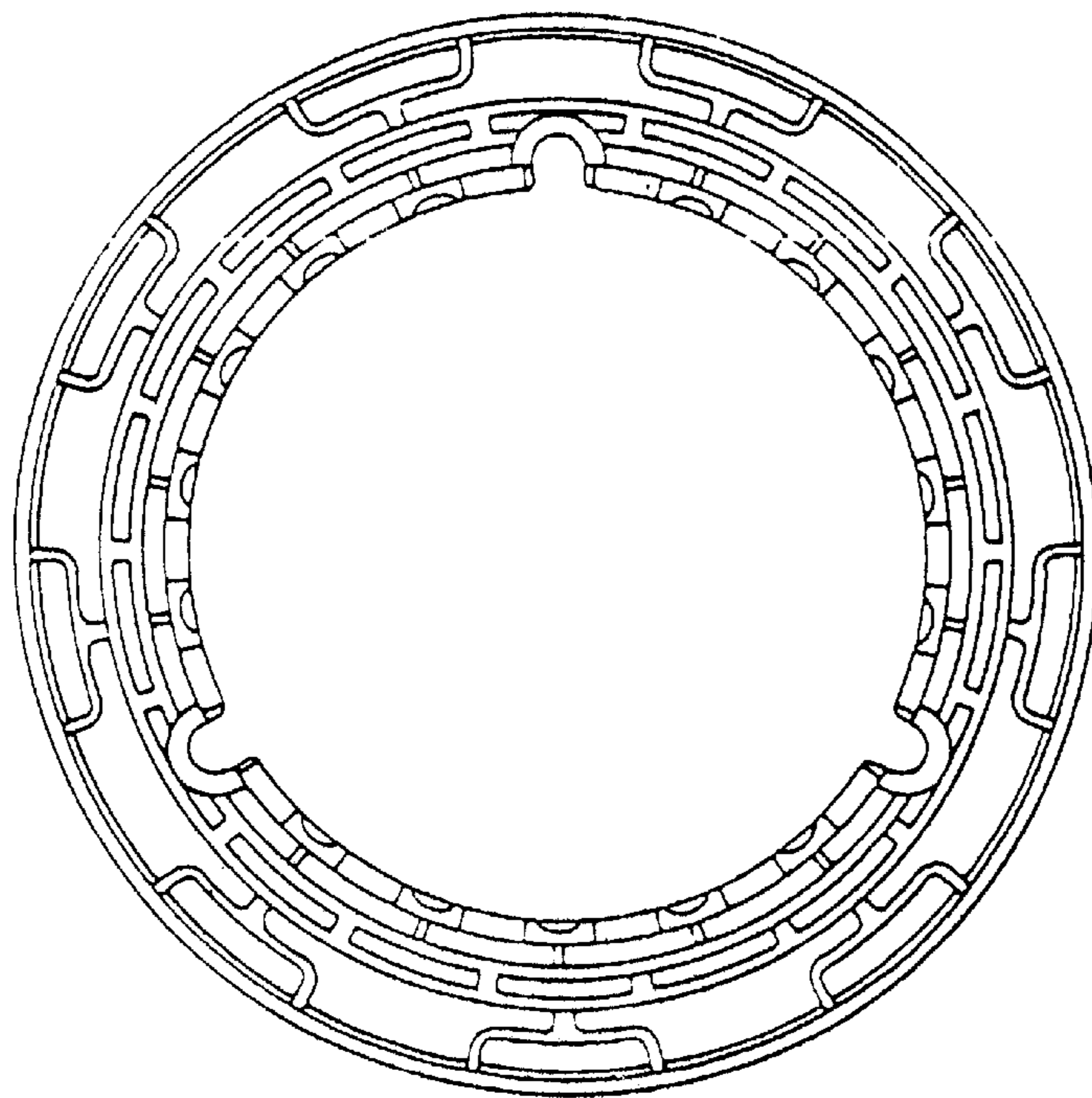


FIG. 4

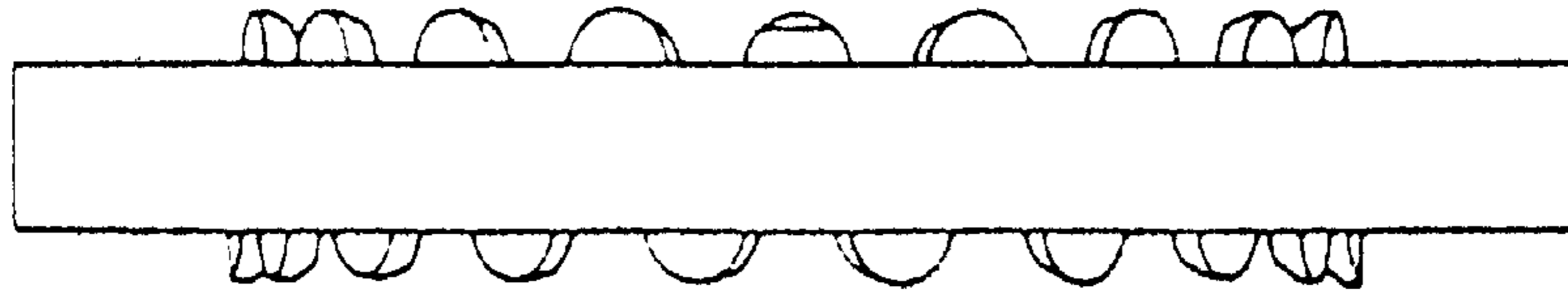


FIG. 5

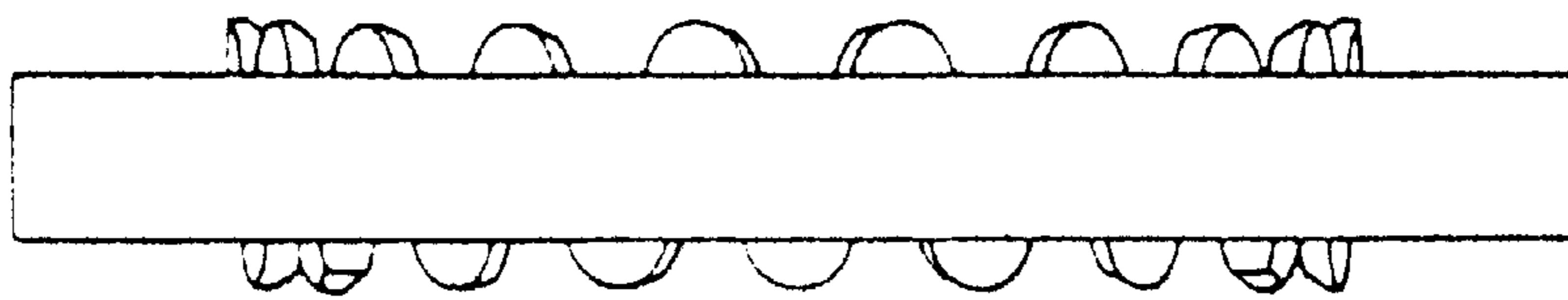


FIG. 6

