



US00D411991S

United States Patent [19]
Khuu

[11] **Patent Number: Des. 411,991**
[45] **Date of Patent: ** Jul. 13, 1999**

[54] **REMOVABLE DRIVE COVER HAVING FLUSH SURFACE**

D. 380,206 6/1997 Hill et al. D14/109
D. 386,752 11/1997 Han D14/100
D. 393,246 4/1998 Fynn et al. D14/100
4,396,963 8/1983 Wright 360/97

[75] Inventor: **Hong Khuu**, Fremont, Calif.

[73] Assignee: **Castlewood Systems, Inc.**, Milpitas, Calif.

Primary Examiner—M. H. Tung
Attorney, Agent, or Firm—Townsend and Townsend and Crew LLP

[**] Term: **14 Years**

[57] **CLAIM**

[21] Appl. No.: **29/085,565**

The ornamental design for a removable drive cover having flush surface, as shown and described.

[22] Filed: **Mar. 25, 1998**

[51] **LOC (6) Cl.** **14-02**

[52] **U.S. Cl.** **D14/114**

[58] **Field of Search** D14/100, 107,
D14/109, 114; D13/162, 184, 199; 312/208.1;
D6/432, 436, 448; 360/99.12; 361/690-6

DESCRIPTION

FIG. 1 is a perspective view of a removable drive cover having flush surface showing my new design; FIG. 2 is a front elevational view thereof; FIG. 3 is a top plan view thereof; FIG. 4 is a right side elevational view, the left side elevational view being a mirror image; and, FIG. 5 is a bottom plan view thereof.

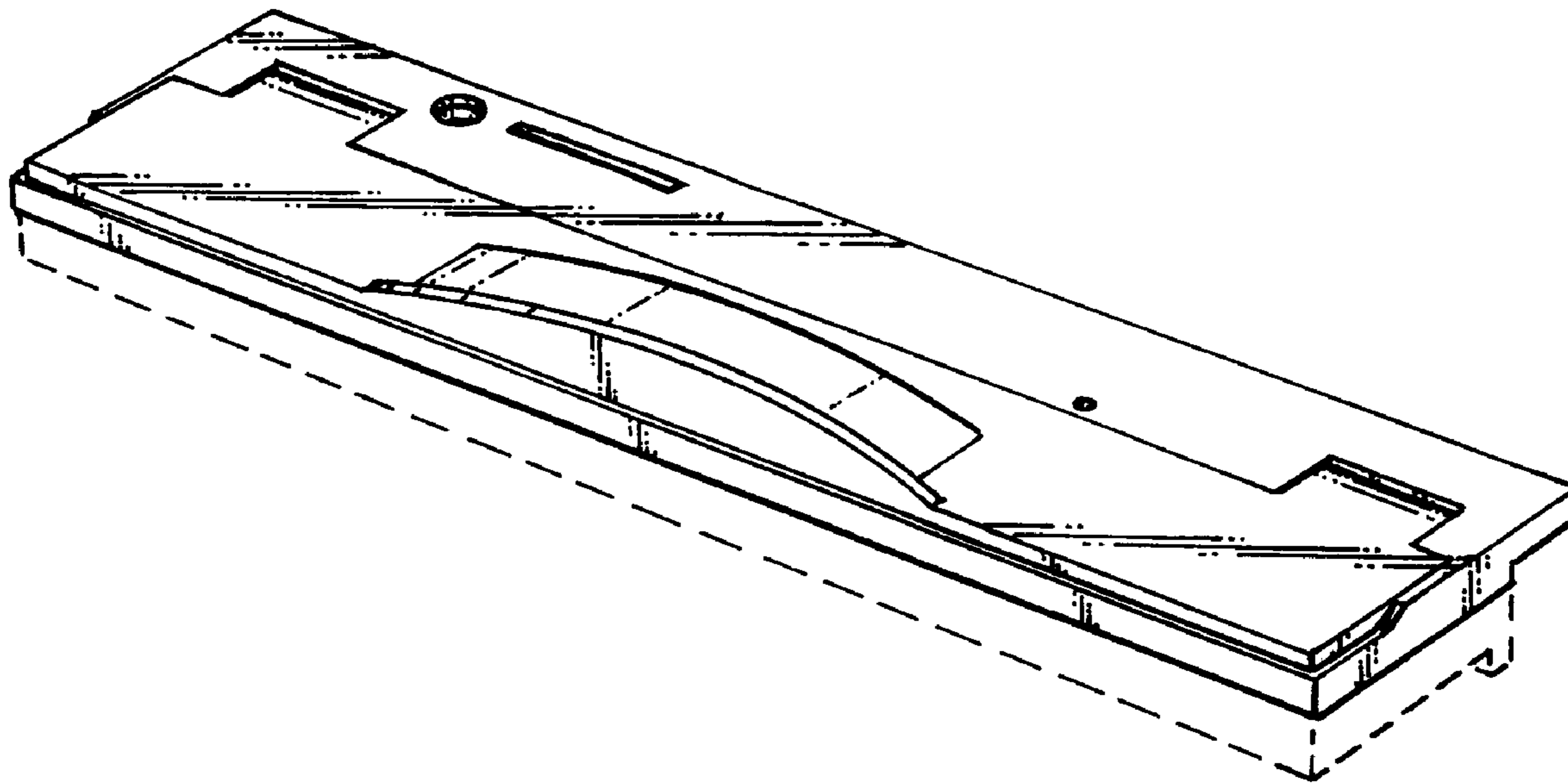
[56] **References Cited**

U.S. PATENT DOCUMENTS

D. 304,333 10/1989 Kerezman et al. D14/114
D. 351,146 10/1994 Hill et al. D14/109
D. 362,237 9/1995 Nakada D14/100
D. 375,728 11/1996 Nicklos et al. D14/114

The broken line drawing in FIG. 1 is for illustrative purposes only and forms no part of the claimed design.

1 Claim, 1 Drawing Sheet



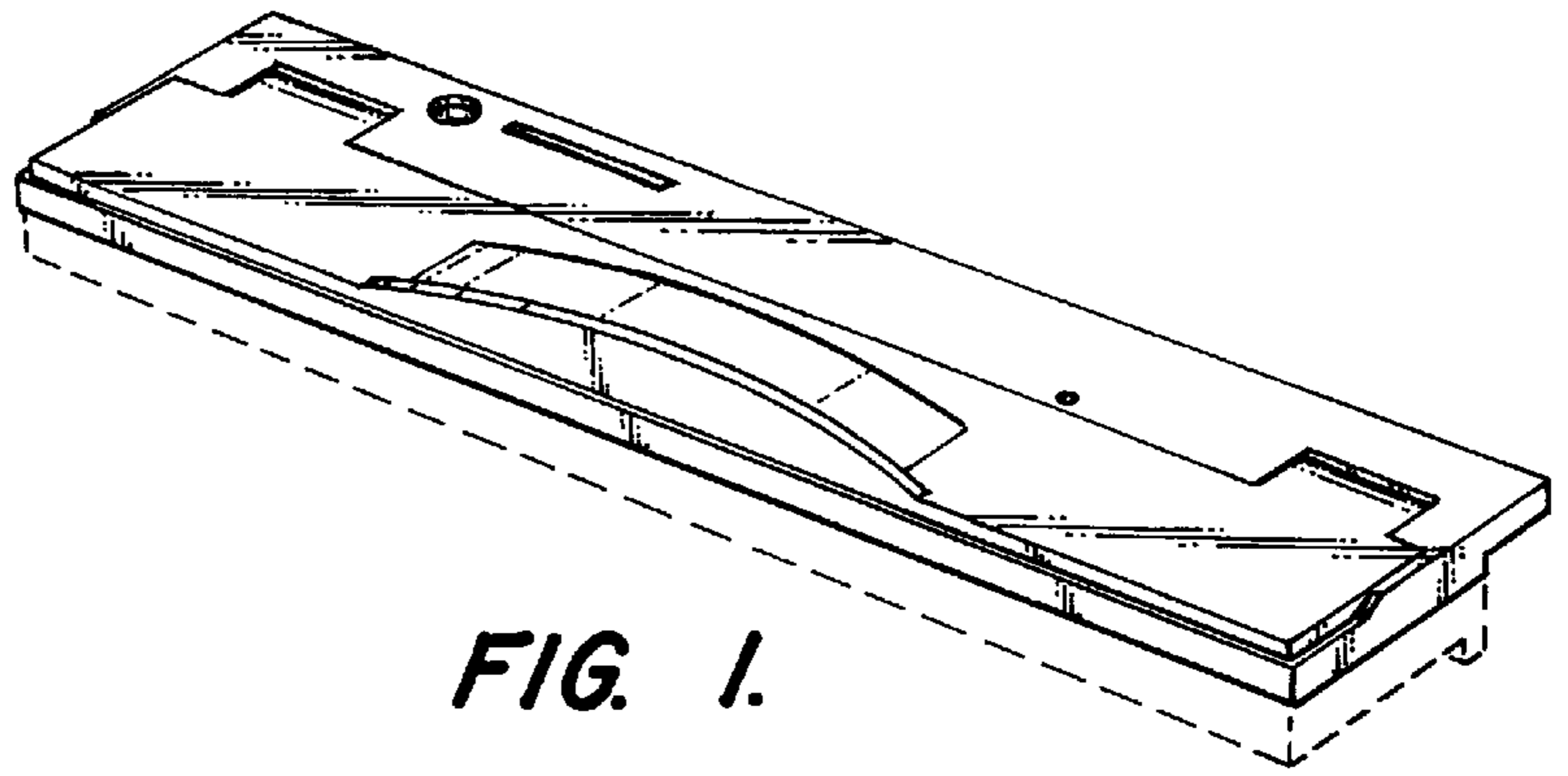


FIG. 1.

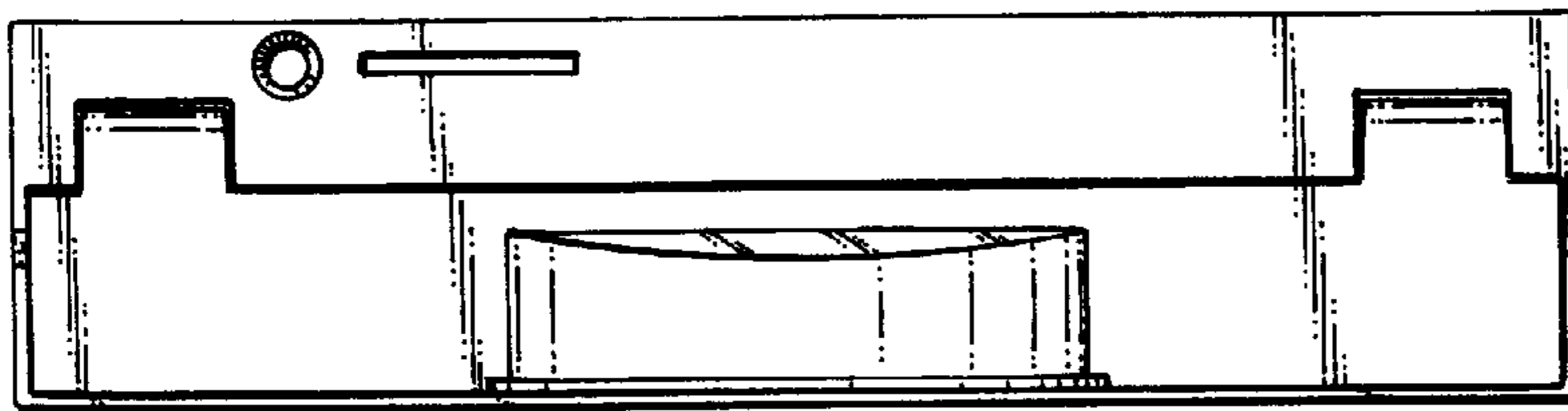


FIG. 2.

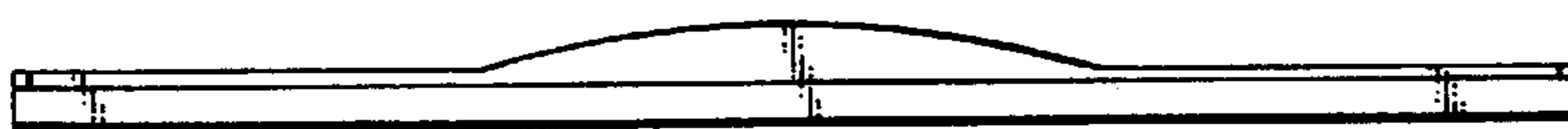


FIG. 3.



FIG. 4.

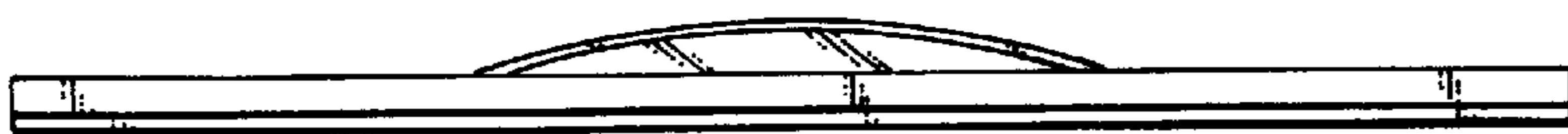


FIG. 5.