



US00D411986S

United States Patent [19] Sekine

[11] **Patent Number: Des. 411,986**

[45] **Date of Patent: ** Jul. 13, 1999**

[54] **DATA INPUT/OUTPUT TERMINAL FOR
COMPUTER**

D. 376,351 12/1996 Matsumoto D14/100
5,555,157 9/1996 Moller et al. 361/683

[75] Inventor: **Tetsuya Sekine**, Yokohama, Japan

Primary Examiner—Freda Nunn
Attorney, Agent, or Firm—Fitzpatrick, Cella, Harper &
Scinto

[73] Assignee: **Canon Kabushiki Kaisha**, Tokyo,
Japan

[**] Term: **14 Years**

[57] **CLAIM**

[21] Appl. No.: **29/093,250**

The ornamental design for a data input/output terminal for
computer, as shown and described.

[22] Filed: **Sep. 8, 1998**

DESCRIPTION

[30] **Foreign Application Priority Data**

May 12, 1998 [JP] Japan 10-13379

FIG. 1 is a front view of a data input/output terminal for
computer showing my new design;

[51] **LOC (6) Cl.** **14-02**

FIG. 2 is a rear view thereof;

[52] **U.S. Cl.** **D14/100**

FIG. 3 is a top plan view thereof;

[58] **Field of Search** D14/100, 106,
D14/115; D18/1, 2, 7; 345/156, 168, 169,
172, 173, 87; 364/708.1; 349/12, 1; 361/680-685

FIG. 4 is a bottom plan view thereof;

FIG. 5 is a left side view thereof;

FIG. 6 is a right side view thereof; and,

FIG. 7 is a perspective view thereof.

[56] **References Cited**

U.S. PATENT DOCUMENTS

D. 357,000 4/1995 Takahashi D14/100

1 Claim, 5 Drawing Sheets

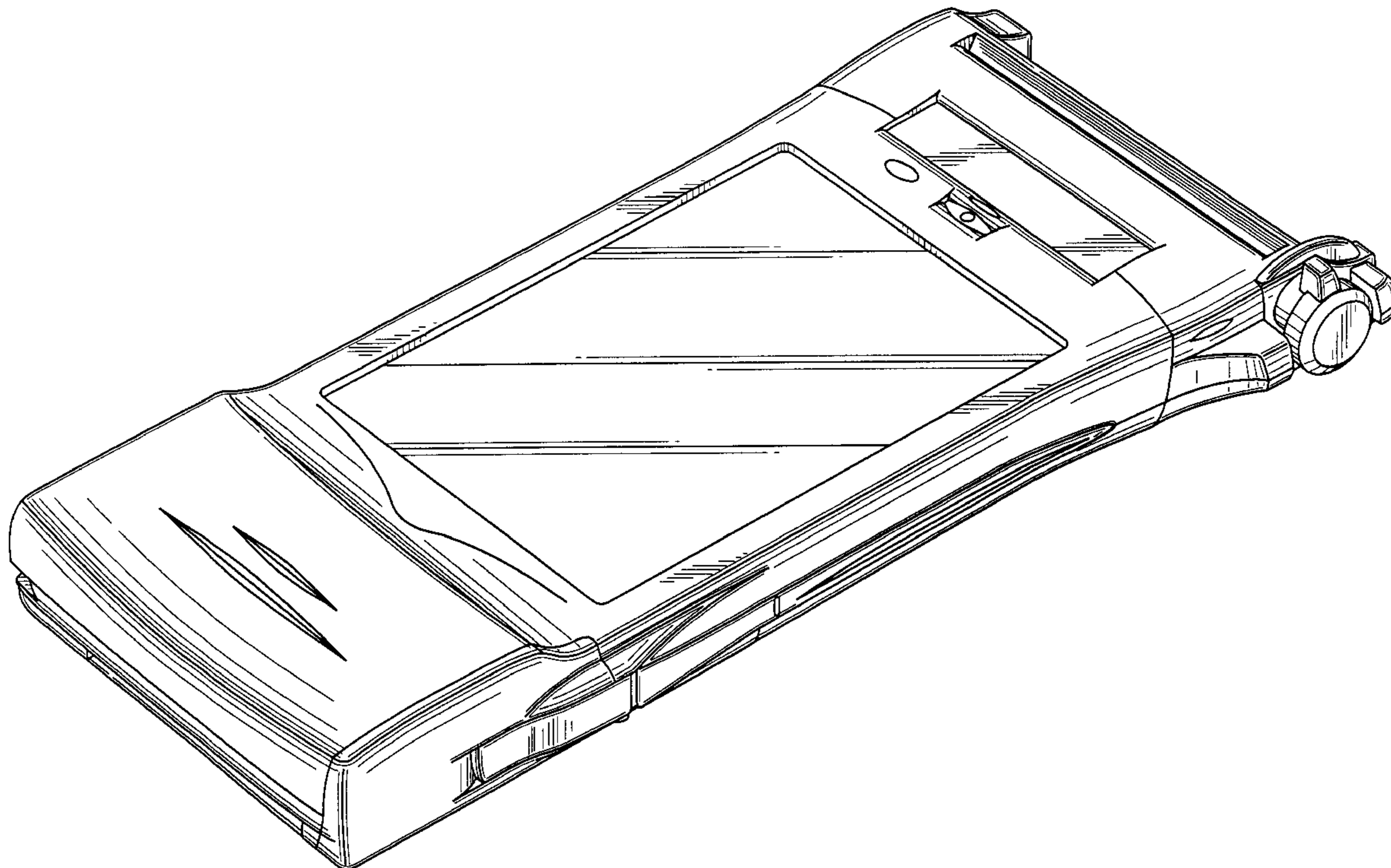


FIG. 1

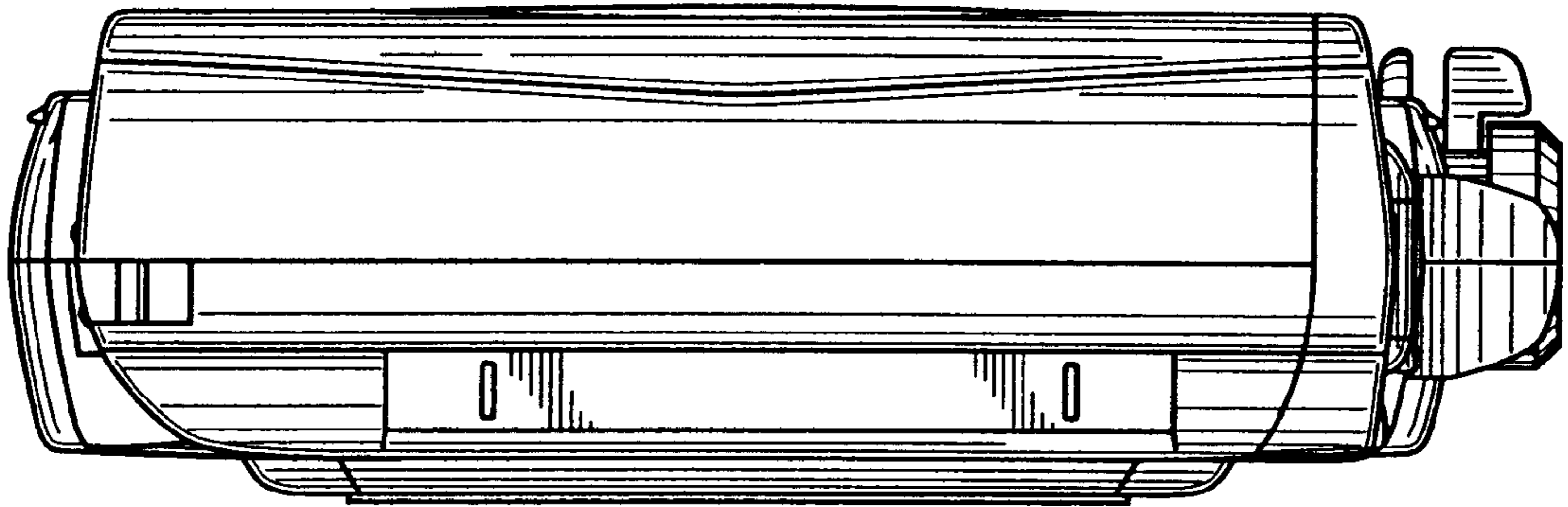


FIG. 2

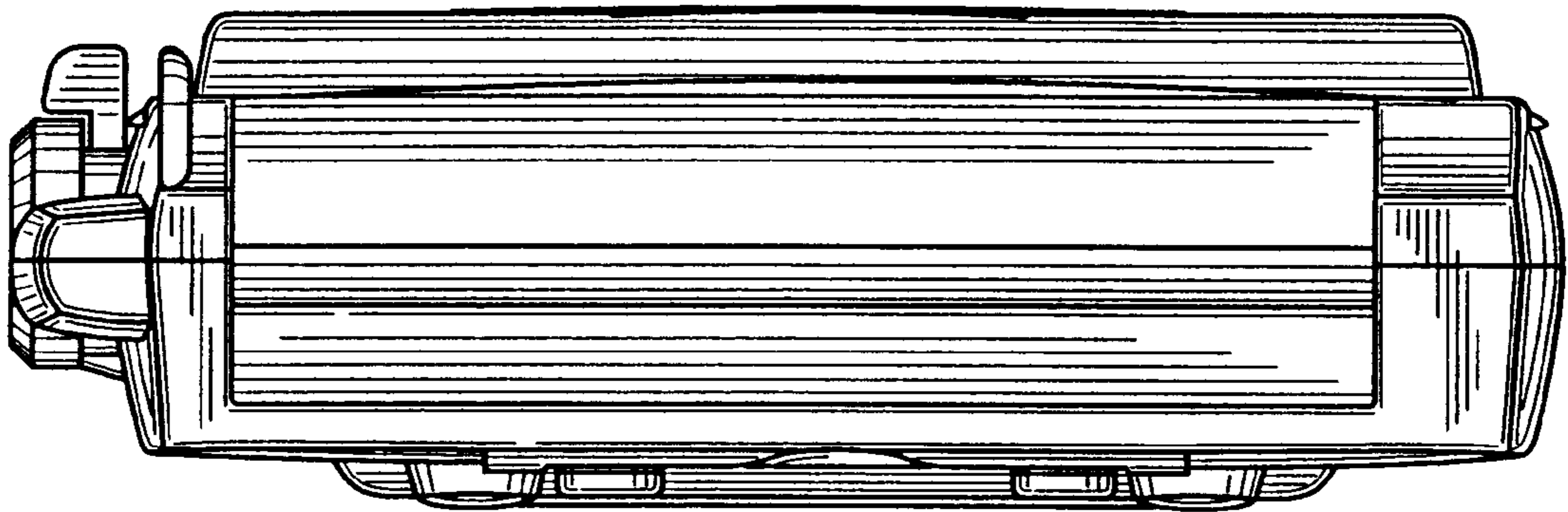


FIG. 3

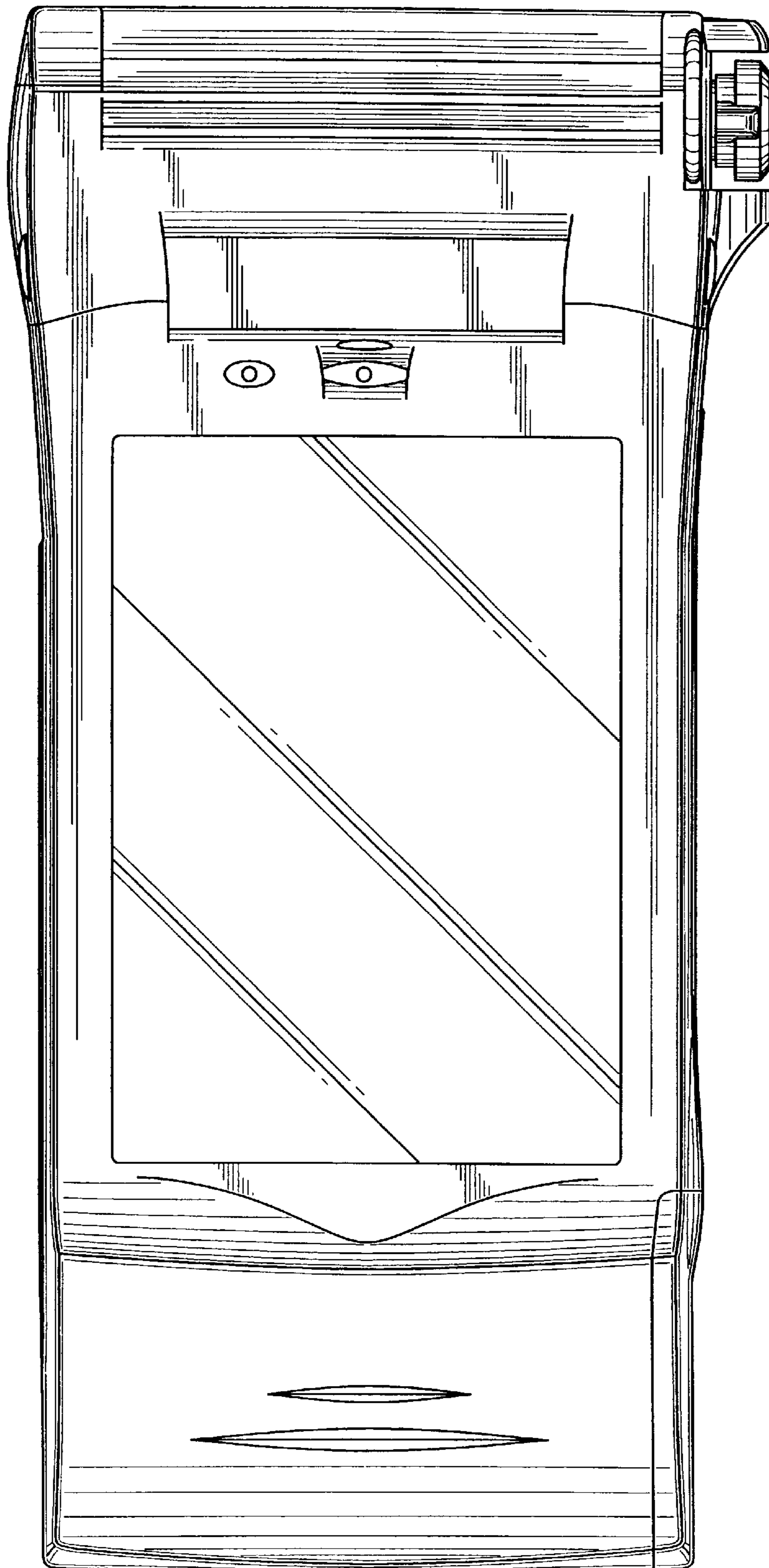


FIG. 4

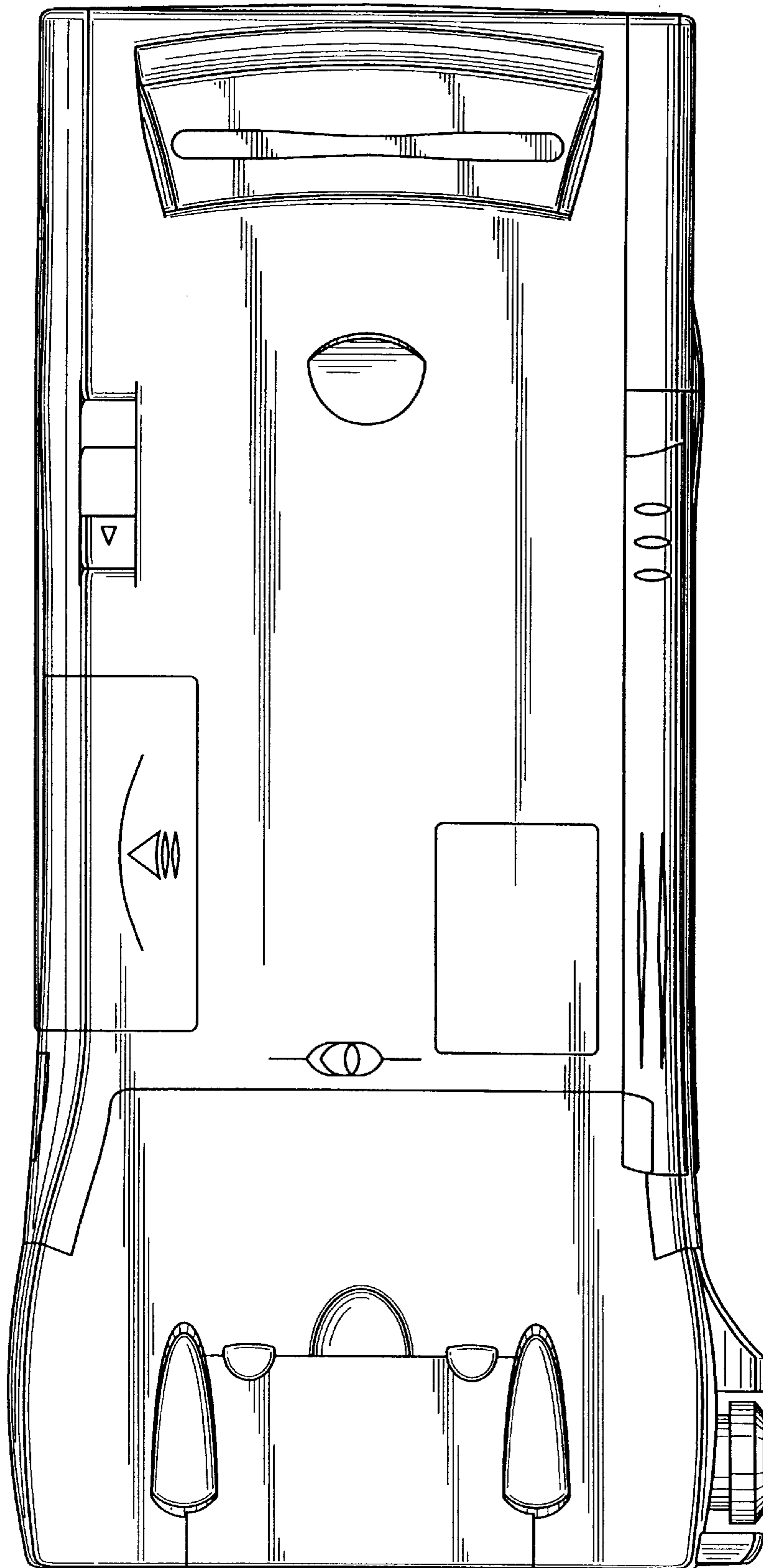


FIG. 5

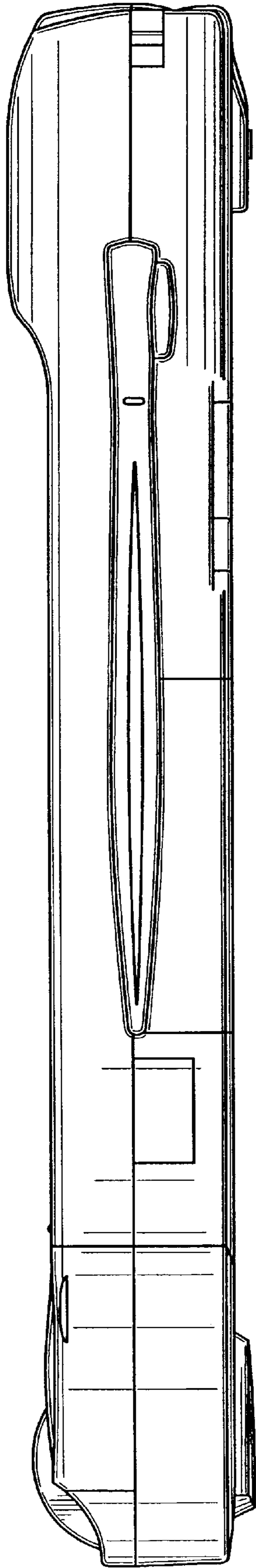
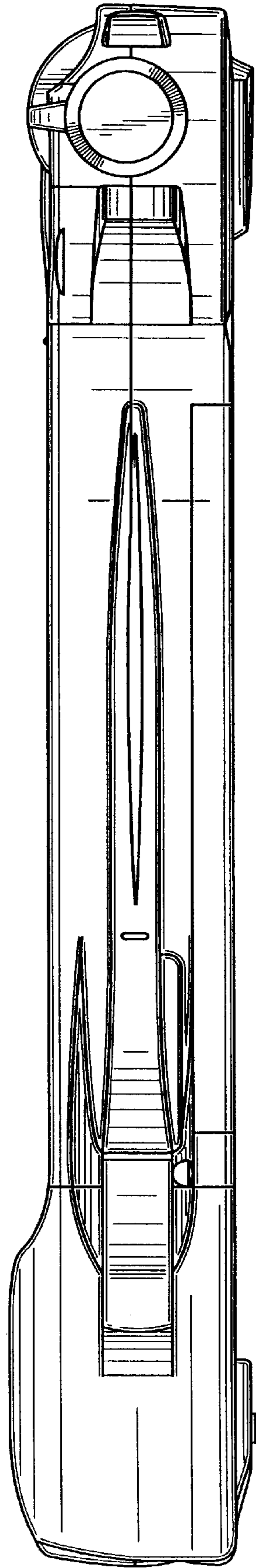


FIG. 6



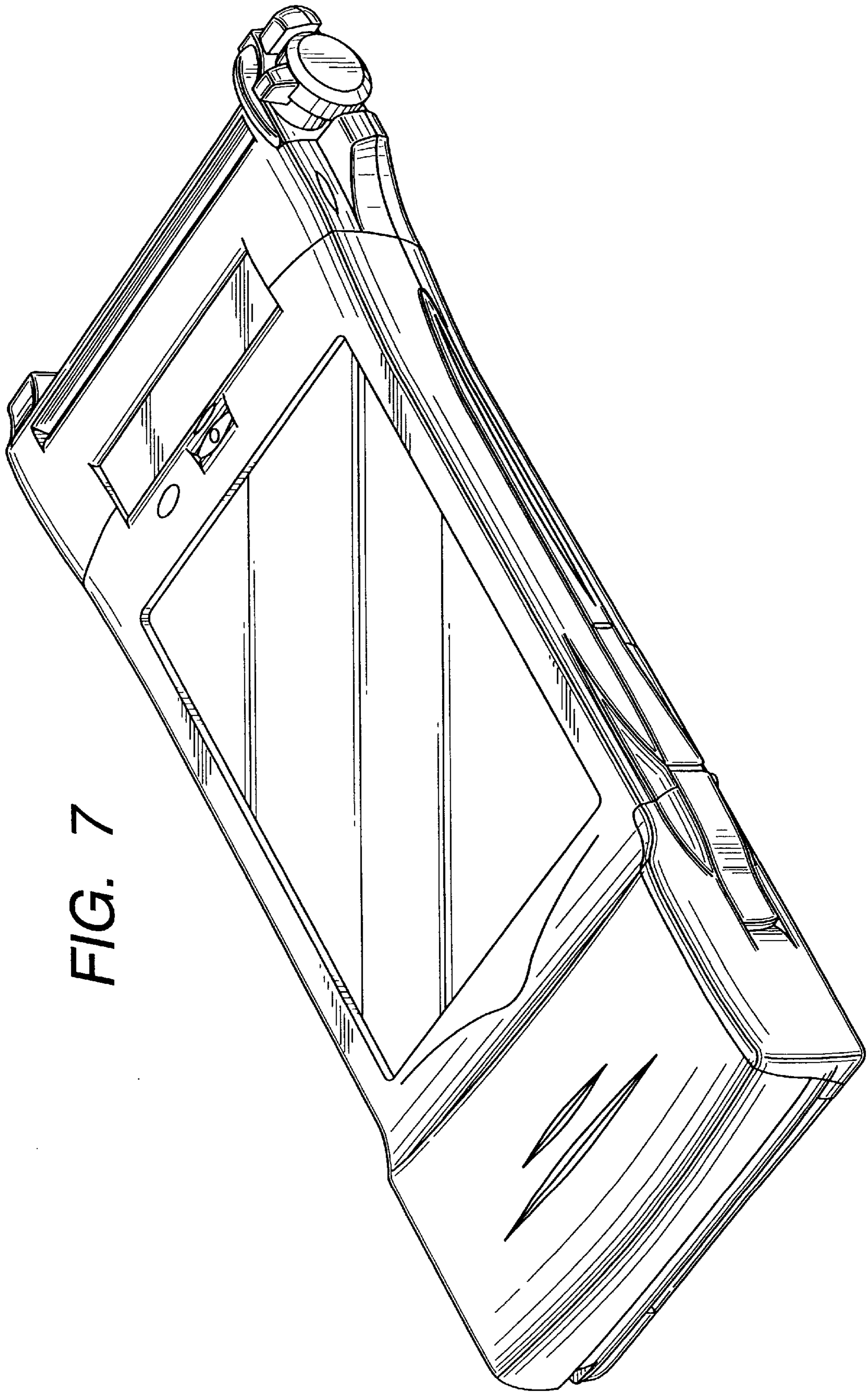


FIG. 7