



US00D411983S

**United States Patent** [19]  
**Awbrey**

[11] **Patent Number: Des. 411,983**  
[45] **Date of Patent: \*\* Jul. 13, 1999**

[54] **ELECTRICAL CONNECTOR**

[75] Inventor: **Jerry Awbrey**, Winder, Ga.

[73] Assignee: **Esoteric Audio U.S.A., Inc.**, Winder, Ga.

[\*\*] Term: **14 Years**

[21] Appl. No.: **29/082,823**

[22] Filed: **Jan. 9, 1998**

[51] **LOC (6) Cl.** ..... **13-03**

[52] **U.S. Cl.** ..... **D13/148**

[58] **Field of Search** ..... D13/133, 148,  
D13/151; 439/860, 868, 883, 805, 578,  
581, 585, 462

[56] **References Cited**

**U.S. PATENT DOCUMENTS**

982,563	1/1911	Baird	439/868
1,211,128	1/1917	Frankel	439/805
2,480,280	8/1949	Bergan	439/882
3,973,823	8/1976	Stanback et al.	439/877
5,573,423	11/1996	Lin et al.	439/805 X
5,573,433	11/1996	Lin et al.	439/805 X

*Primary Examiner*—Joel Sincavage  
*Attorney, Agent, or Firm*—Thomas, Kayden & Horstemeyer & Risley

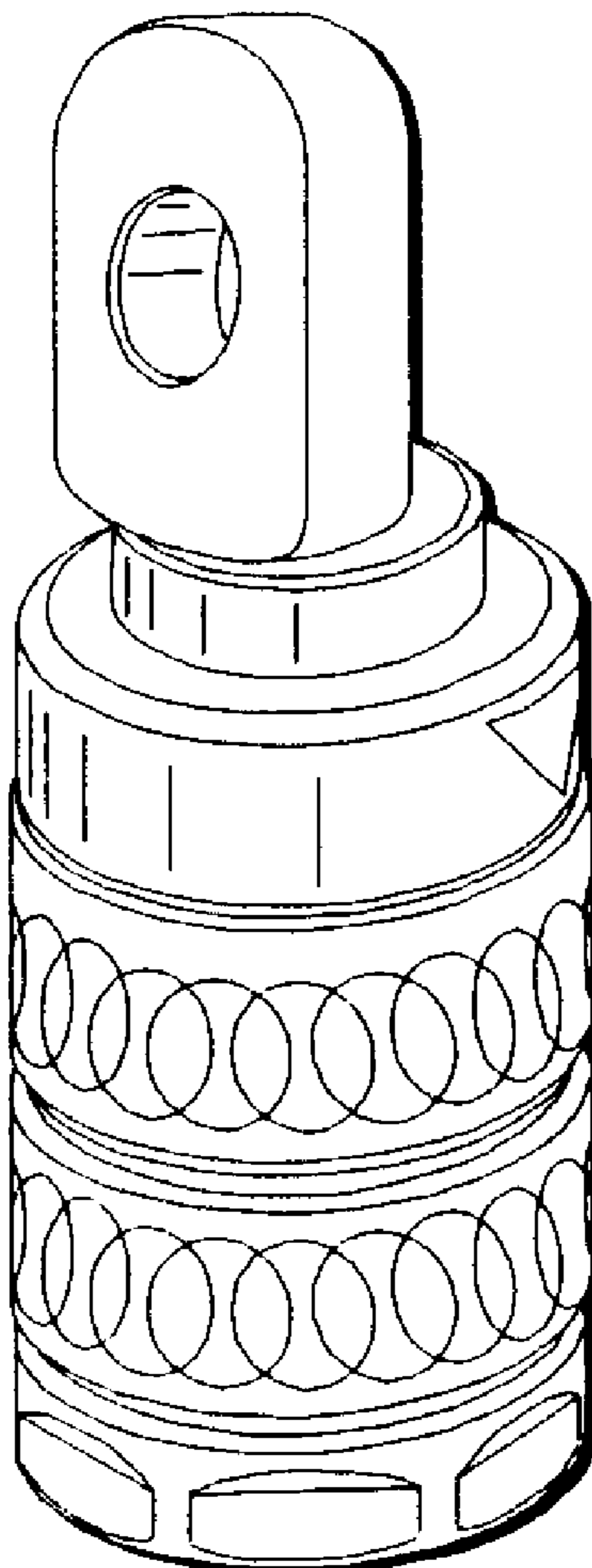
[57] **CLAIM**

The ornamental design for a electrical connector, as shown and described.

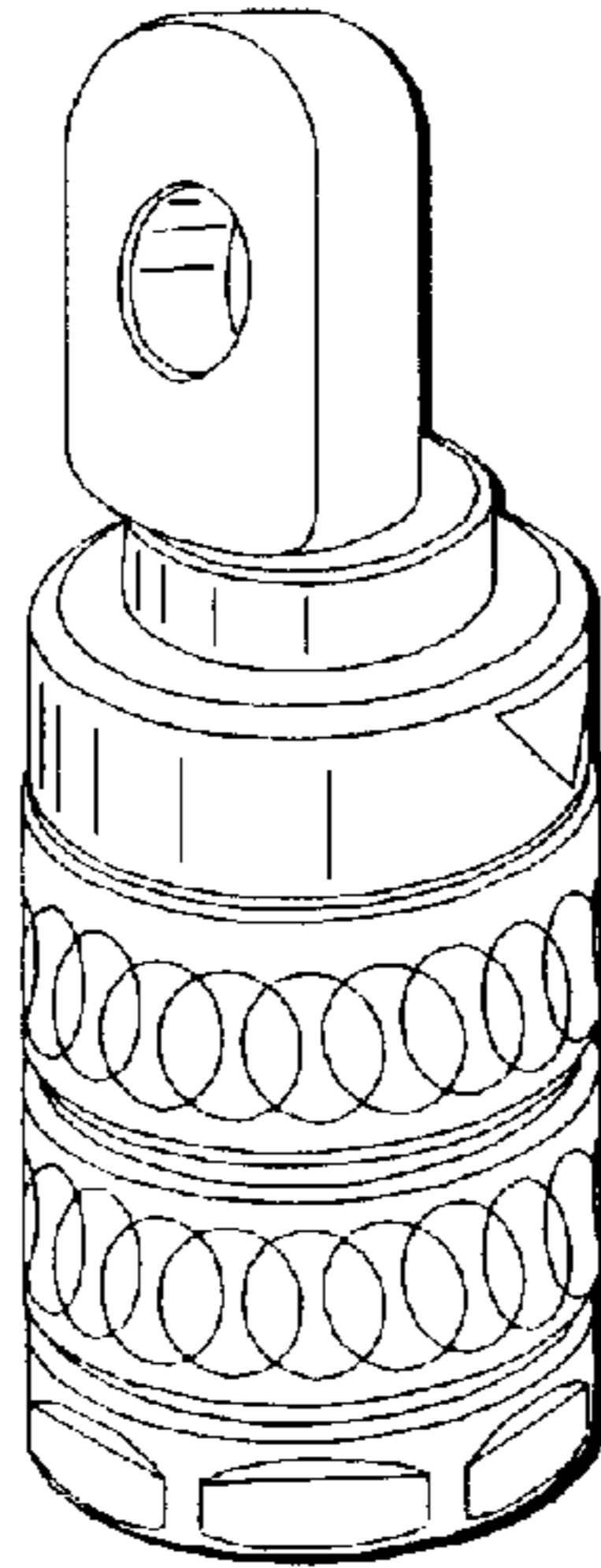
**DESCRIPTION**

FIG. 1 is a perspective view of a electrical connector in accordance with a preferred embodiment of the present invention;  
FIG. 2 is a rear view of the electrical connector shown in FIG. 1;  
FIG. 3 is a right side view of the electrical connector shown in FIG. 1;  
FIG. 4 is a left side view of the electrical connector shown in FIG. 1;  
FIG. 5 is a front view of the electrical connector shown in FIG. 1;  
FIG. 6 is a top view of the electrical connector shown in FIG. 1; and,  
FIG. 7 is a bottom view of the electrical connector shown in FIG. 1.

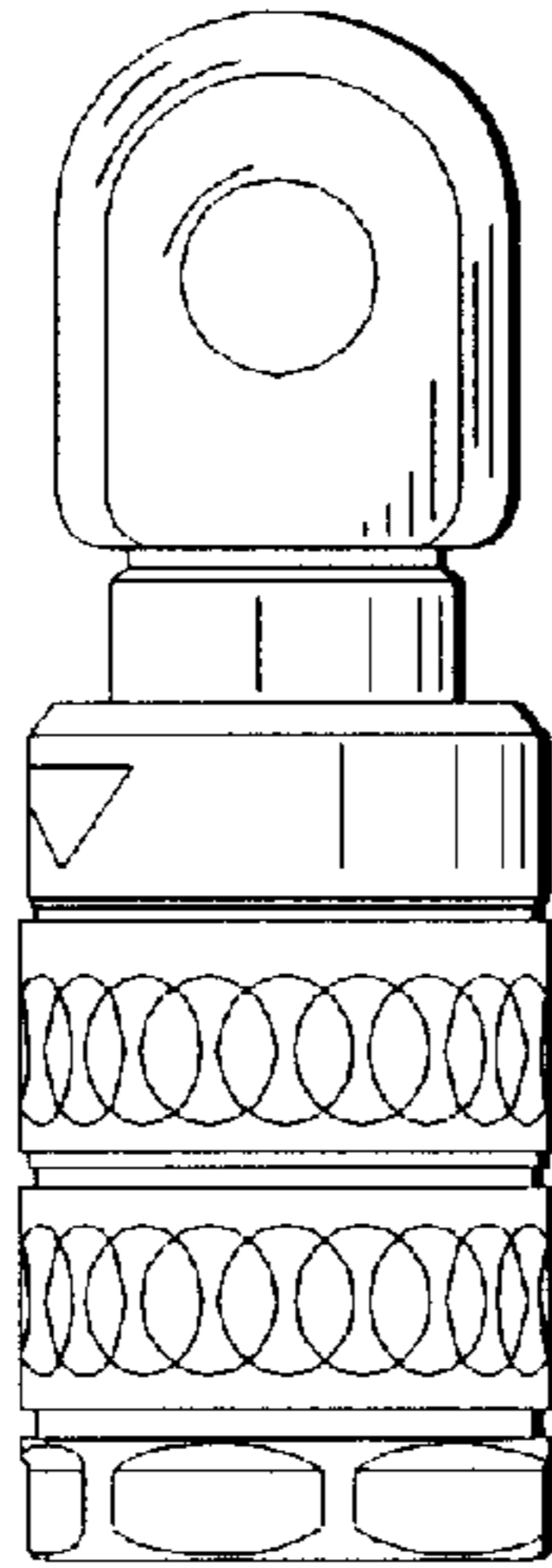
**1 Claim, 1 Drawing Sheet**



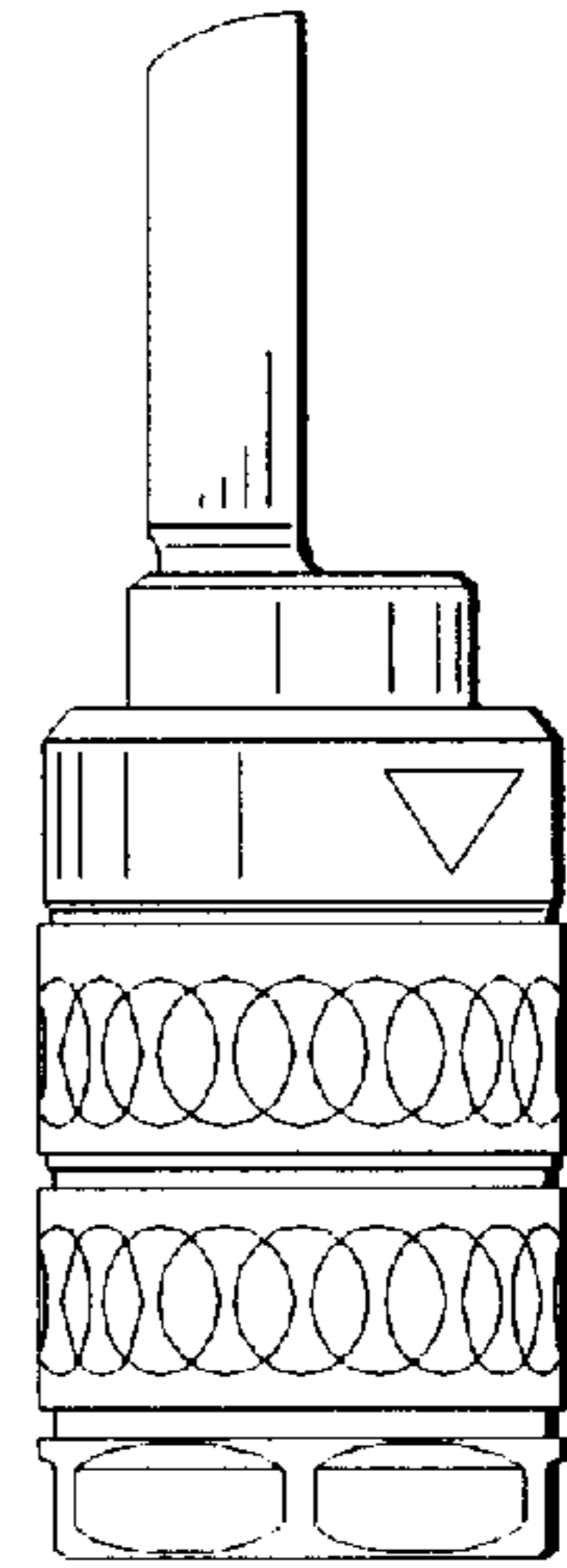
**FIG. 1**



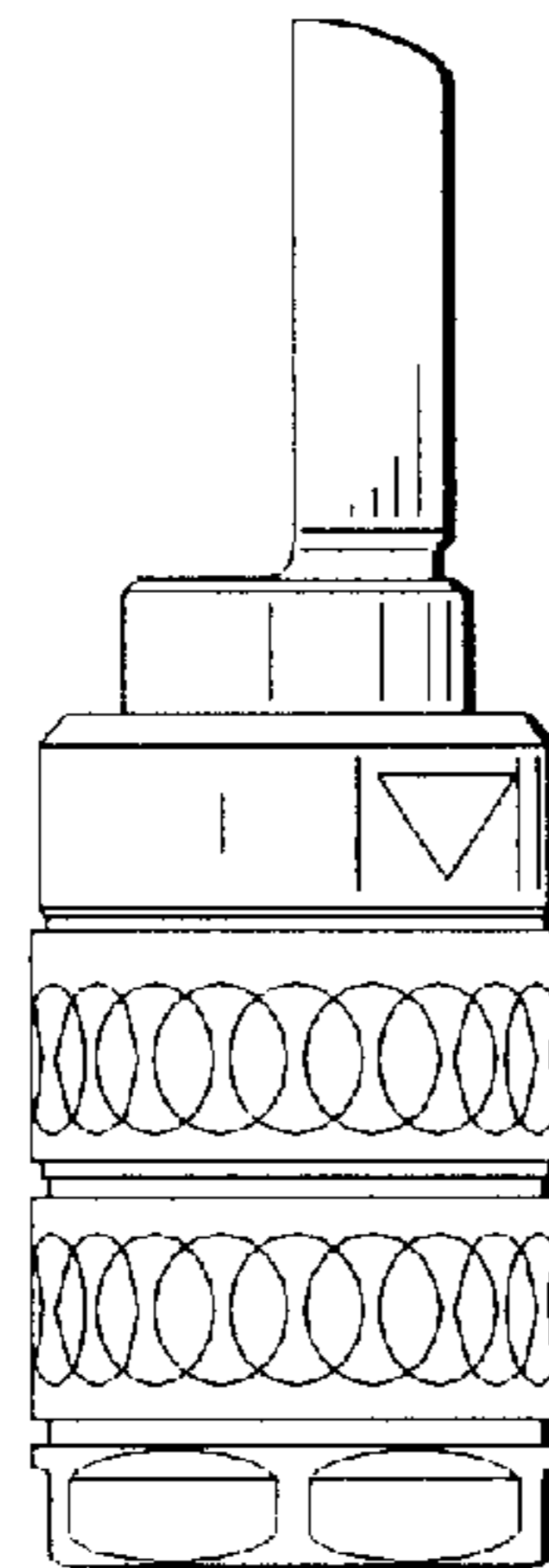
**FIG. 2**



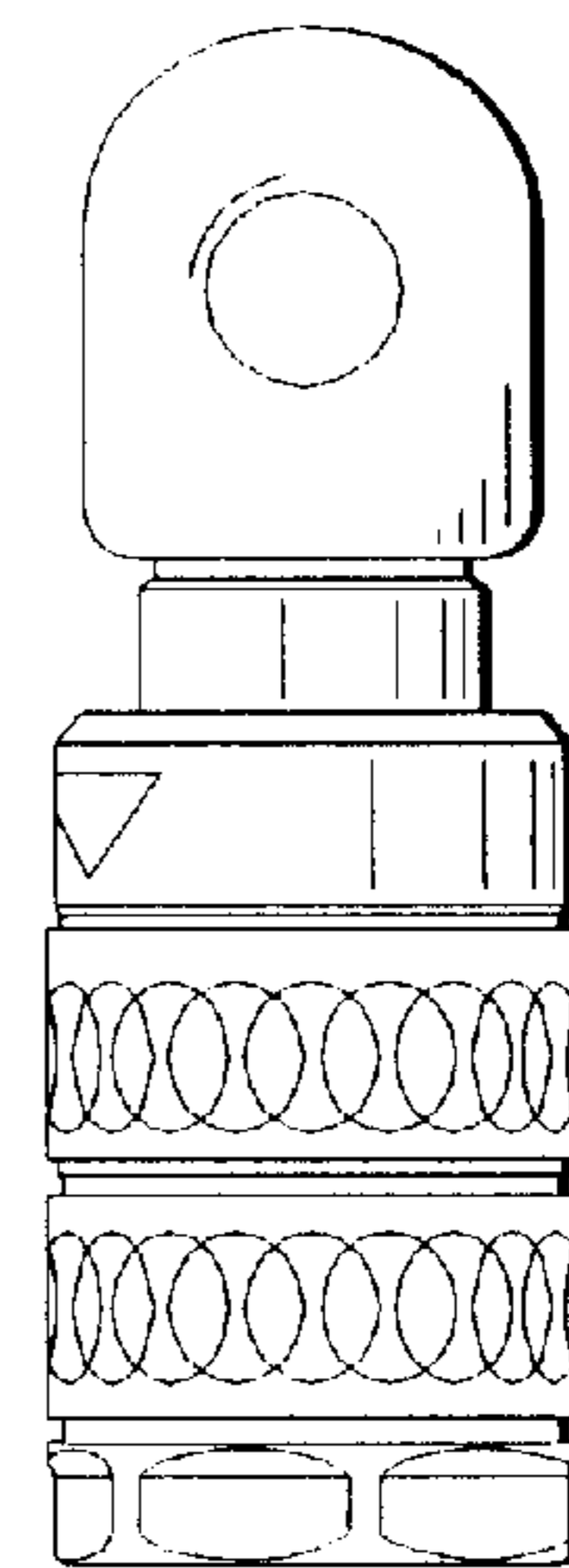
**FIG. 3**



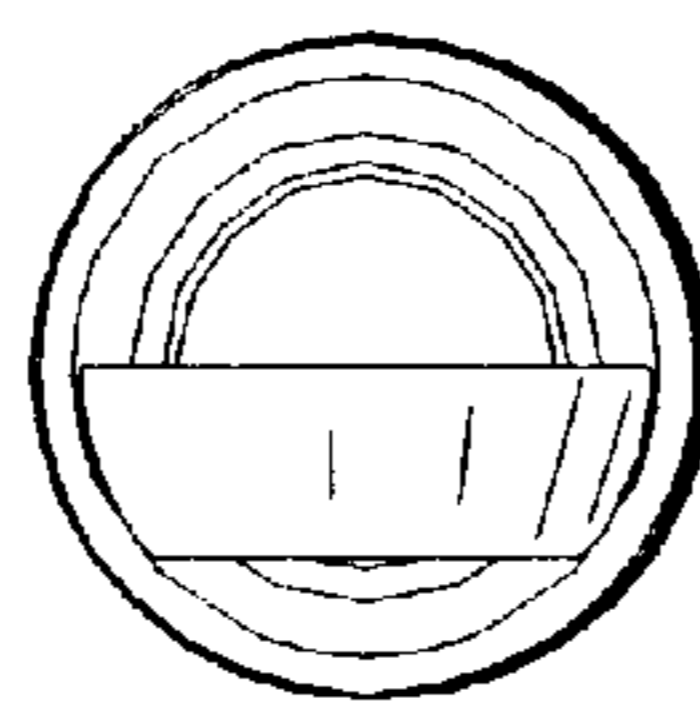
**FIG. 4**



**FIG. 5**



**FIG. 6**



**FIG. 7**

