



US00D411982S

# United States Patent [19] Huang

[11] **Patent Number: Des. 411,982**  
[45] **Date of Patent: \*\* Jul. 13, 1999**

[54] **ELECTRICAL CONNECTOR**  
[75] Inventor: **Wayne Huang**, Alhambra, Calif.  
[73] Assignee: **Hon Hai Precision Ind. Co., Ltd.**,  
Taipei Hsien, Taiwan  
[\*\*] Term: **14 Years**  
[21] Appl. No.: **29/088,548**  
[22] Filed: **May 27, 1998**  
[51] **LOC (6) Cl. .... 13-03**  
[52] **U.S. Cl. .... D13/147**  
[58] **Field of Search .... D13/146, 147;**  
**439/78, 79, 607, 609, 636, 637, 660, 677**

5,213,515 5/1993 Ishikawa et al. .... 439/79  
5,219,294 6/1993 Marsh et al. .... 439/79  
5,533,901 7/1996 Hunt et al. .... 439/79  
5,547,384 8/1996 Benjamin .... 439/79

*Primary Examiner*—Joel Sincavage

### [57] CLAIM

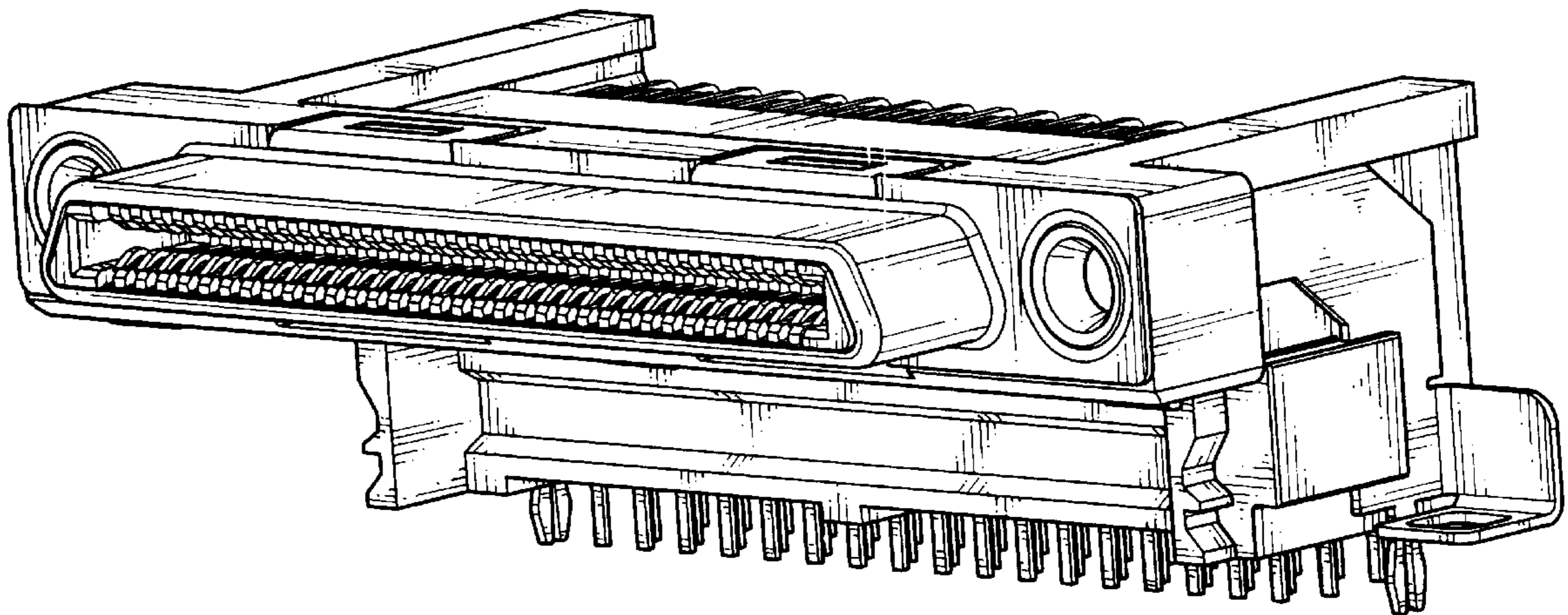
The ornamental design for an electrical connector, as shown.

### DESCRIPTION

FIG. 1 is a perspective view of an electrical connector showing my new design;  
FIG. 2 is a front elevational view thereof;  
FIG. 3 is a rear elevational view thereof;  
FIG. 4 is a left side elevational view thereof;  
FIG. 5 is a right side elevational view thereof;  
FIG. 6 is a top plan view thereof; and,  
FIG. 7 is a bottom plan view thereof.

[56] **References Cited**  
**U.S. PATENT DOCUMENTS**  
D. 313,007 12/1990 Nakamura .... D13/147  
D. 367,263 2/1996 Nakamura .... D13/147

**1 Claim, 7 Drawing Sheets**



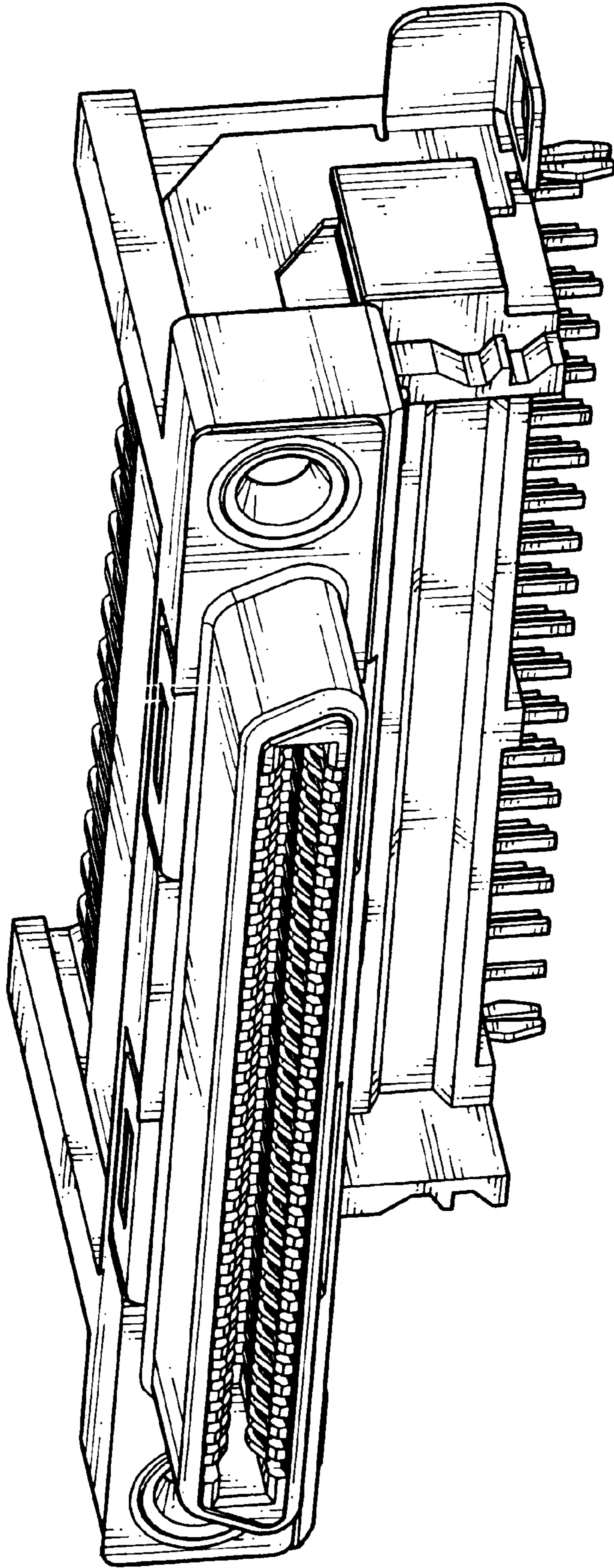


FIG. 1

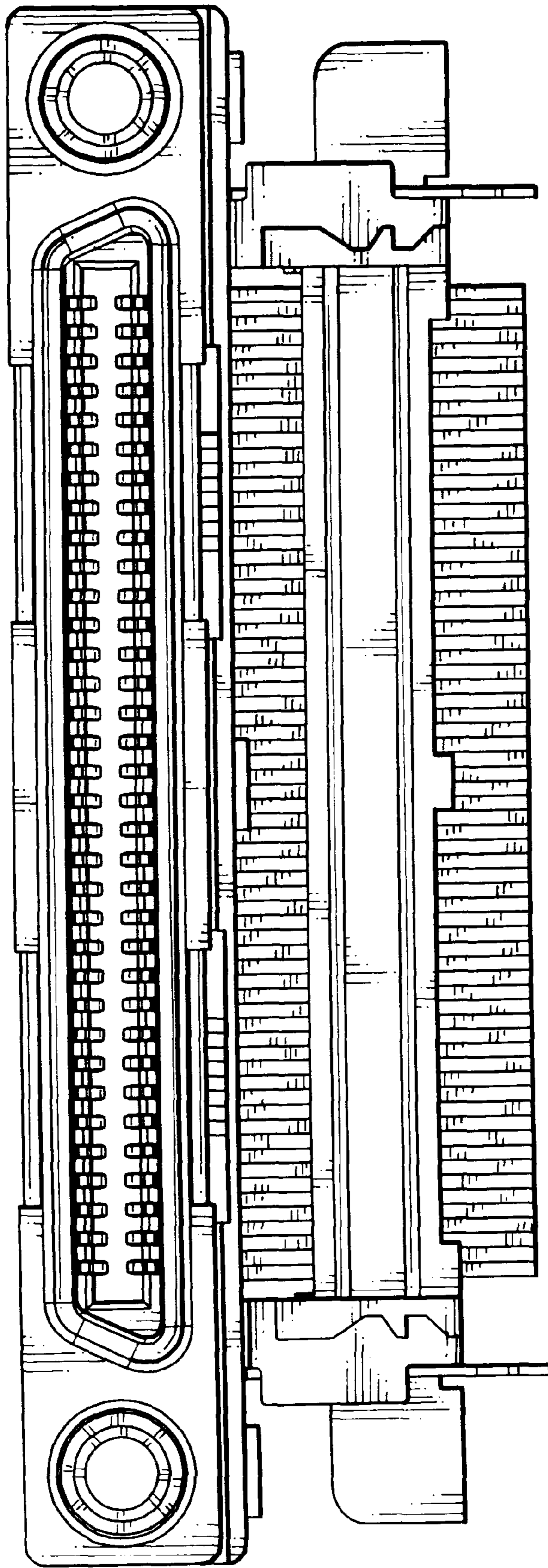


FIG. 2

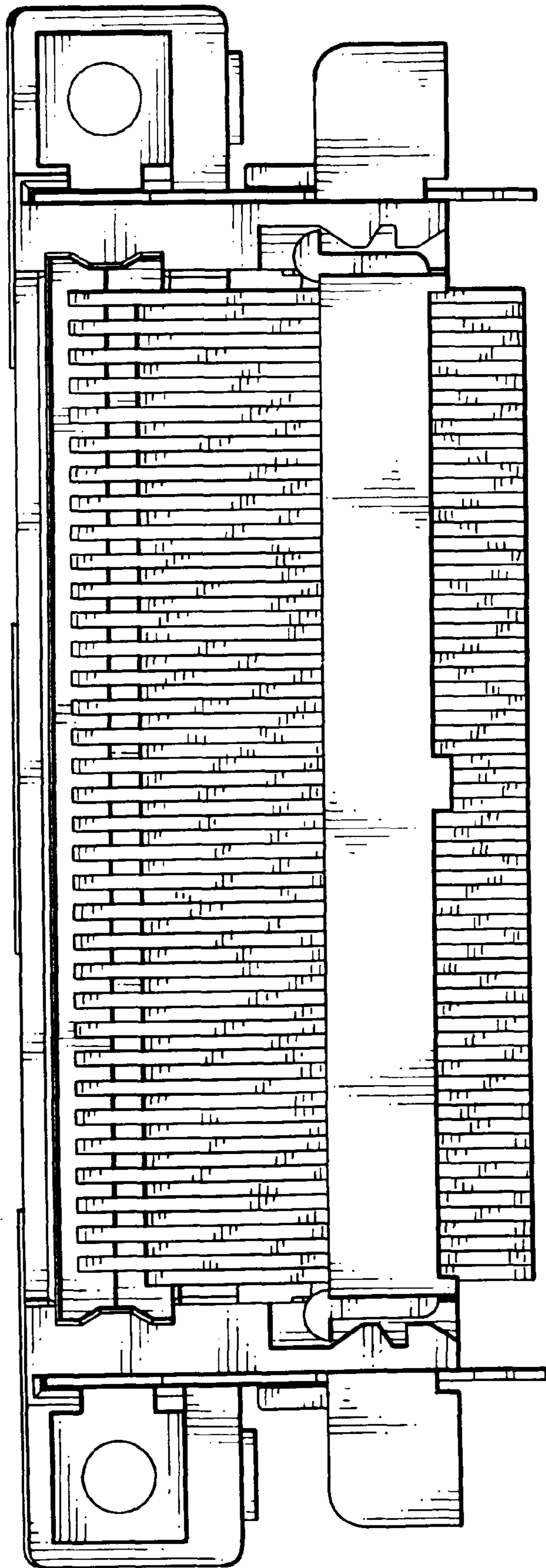


FIG. 3

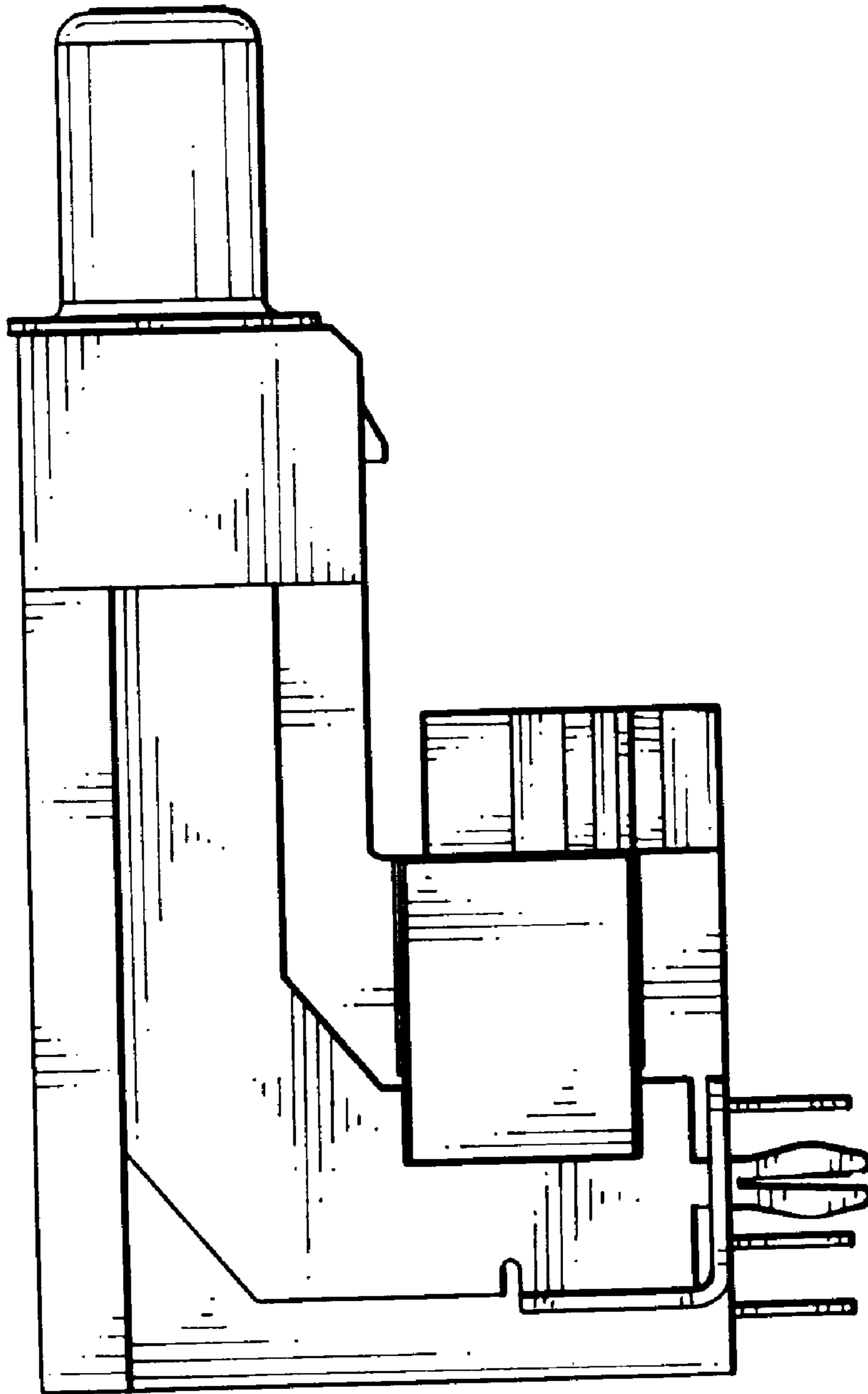


FIG. 4

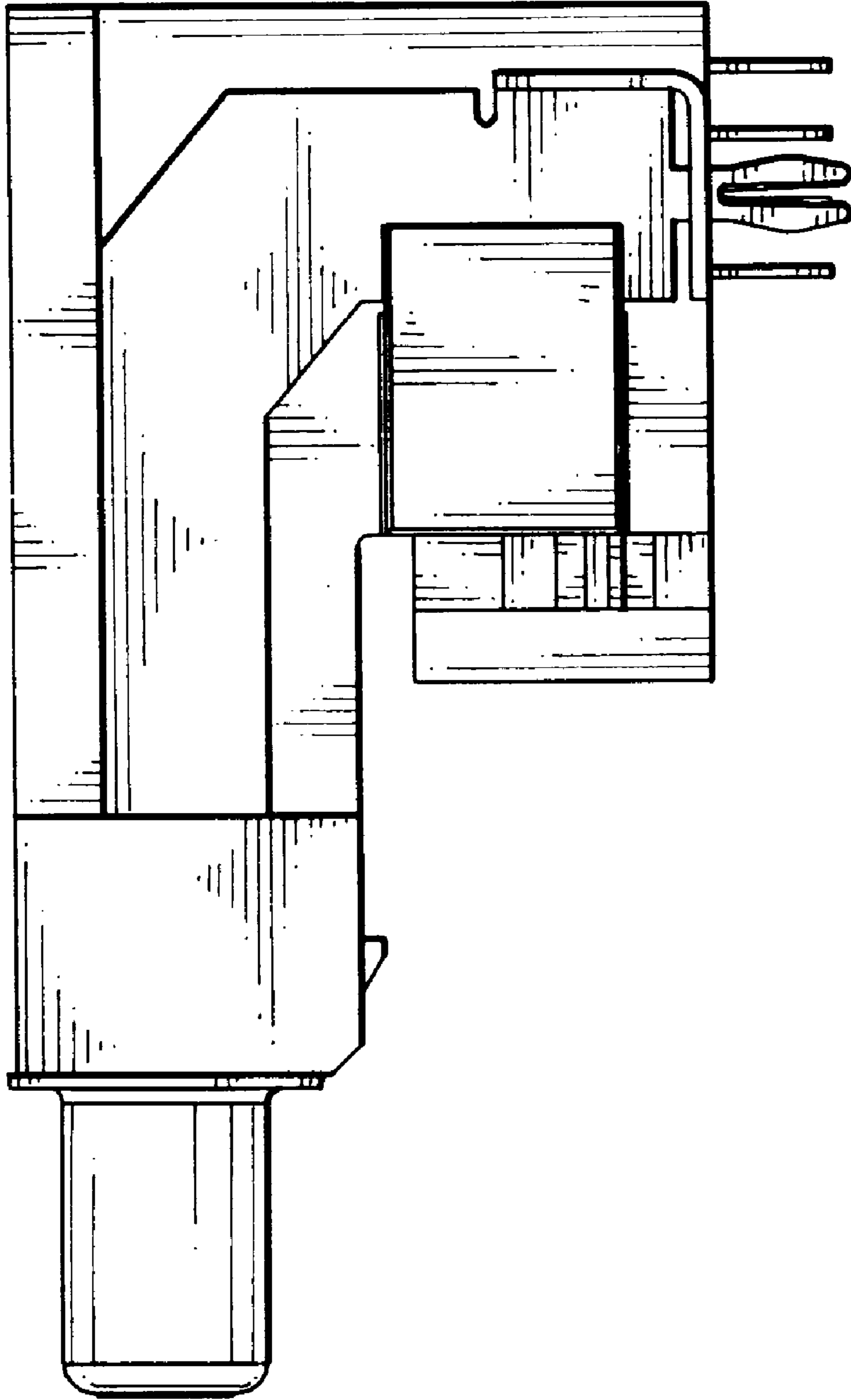


FIG. 5

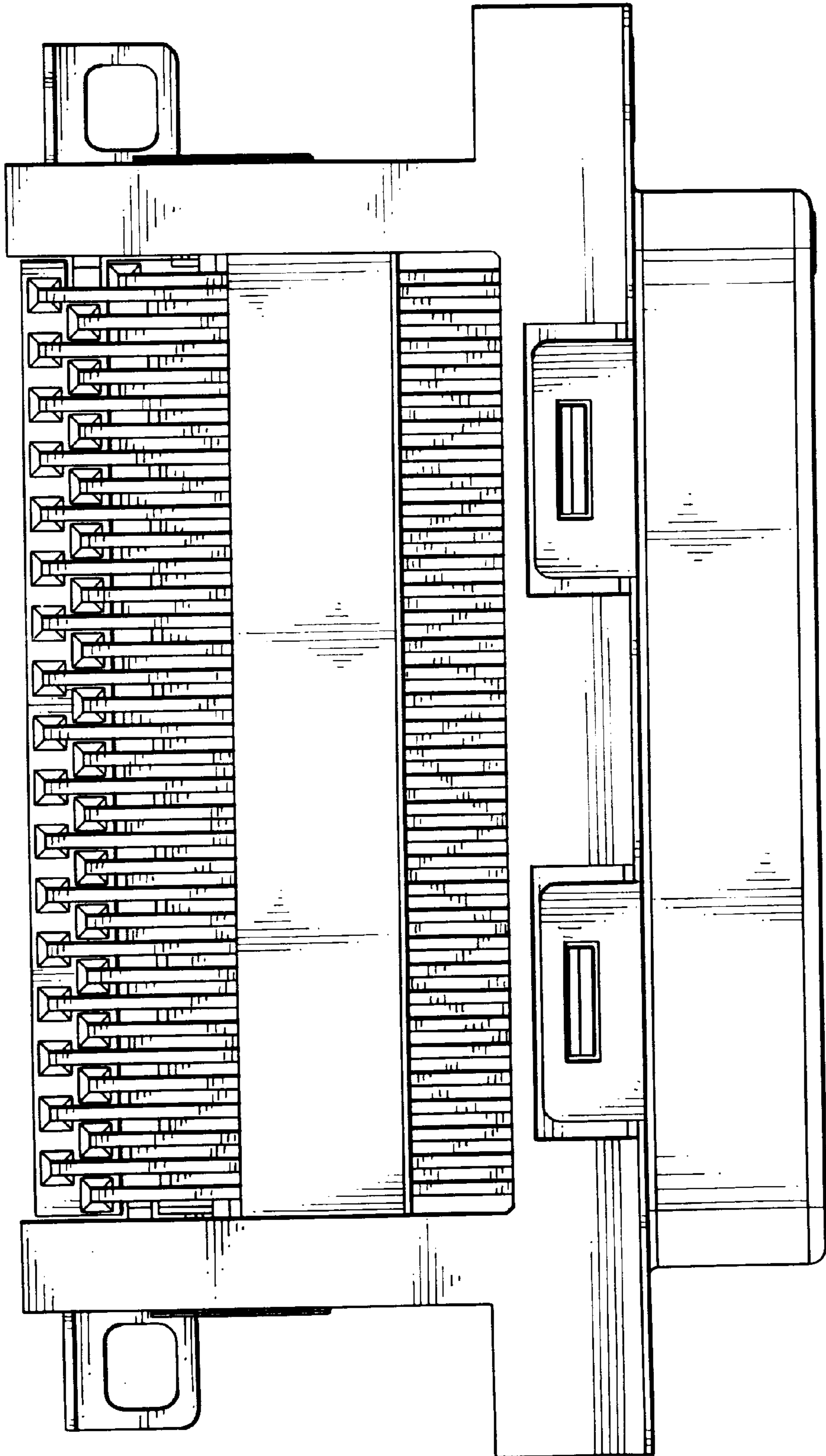


FIG. 6

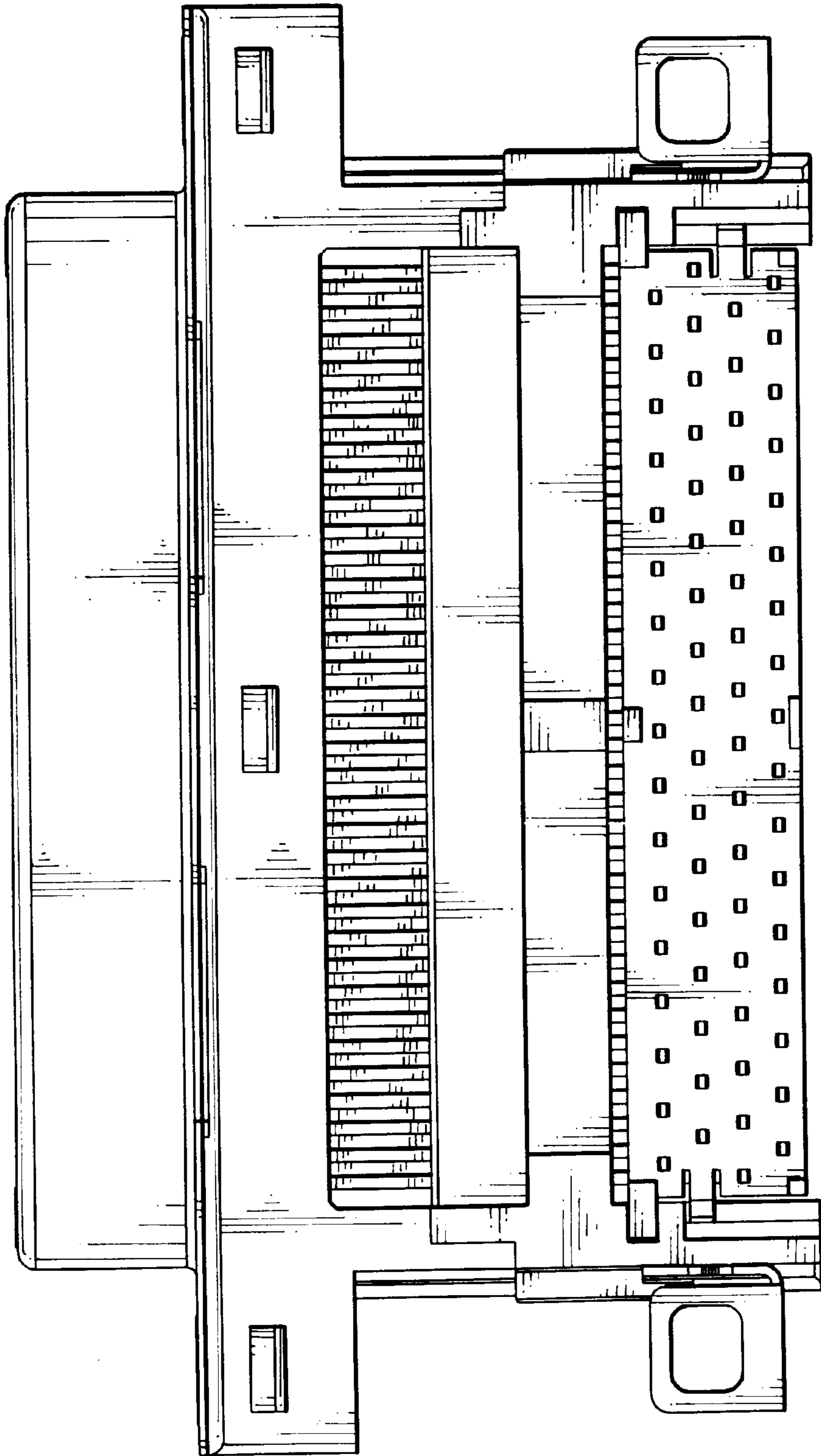


FIG. 7