



US00D411980S

United States Patent [19]

Sacco et al.

[11] Patent Number: **Des. 411,980**

[45] Date of Patent: **** Jul. 13, 1999**

[54] **EXTERIOR SURFACE OF A VEHICLE CONSOLE**

[75] Inventors: **Bruno Sacco; Harald Leschke**, both of Sindelfingen, Germany; **Olivier Boulay**, Tokyo, Japan; **Shuichi Yamashita**, Yokohama, Japan; **Anthony Lo**, Tokyo, Japan

[73] Assignee: **Daimler-Benz Aktiengesellschaft**, Stuttgart, Germany

[**] Term: **14 Years**

[21] Appl. No.: **29/092,461**

[22] Filed: **Aug. 19, 1998**

[51] **LOC (6) Cl.** **12-16**

[52] **U.S. Cl.** **D12/425; D12/423**

[58] **Field of Search** D12/415, 416, D12/421, 423-426, 400; 296/37.1, 37.6, 37.8, 37.13-37.16; 224/42.11, 42.24, 42.25, 275, 400, 539-543

[56] **References Cited**

U.S. PATENT DOCUMENTS

D. 191,356 9/1961 Krone D12/423

D. 212,403 10/1968 Di Vona D12/423
D. 291,026 7/1987 Bird, Jr. D12/423
D. 345,648 4/1994 Favilla D12/421
D. 391,223 2/1998 Lucas, Jr. D12/424
2,524,659 10/1950 Gorman D12/423 X

Primary Examiner—Doris V. Coles
Assistant Examiner—Stacia Sinuik
Attorney, Agent, or Firm—Evenson, McKeown, Edwards & Lenahan, PLLC

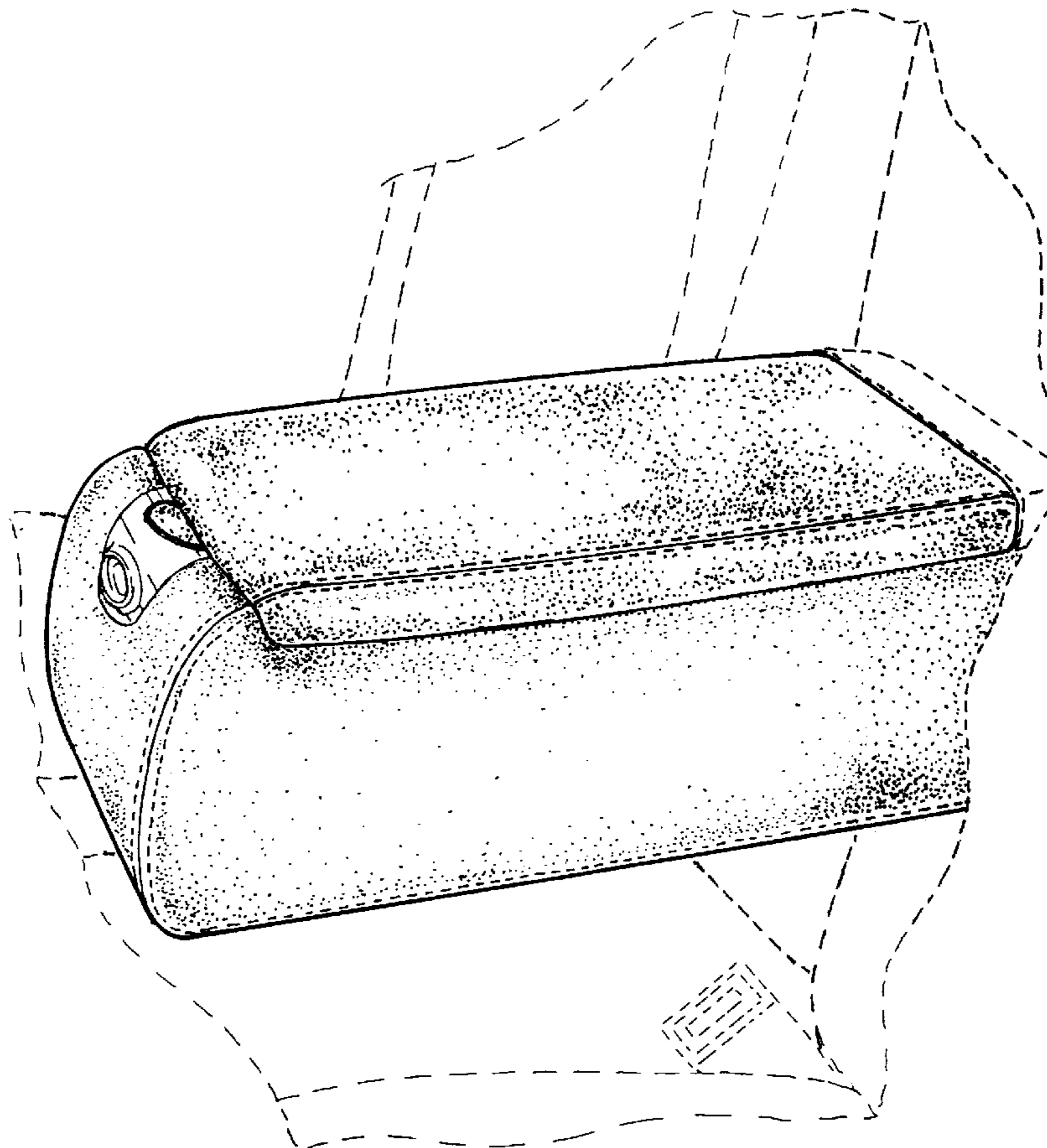
[57] **CLAIM**

The ornamental design for a exterior surface of a vehicle console, as shown and described.

DESCRIPTION

FIG. 1 is a front view of the exterior surface of a vehicle console with the lid in closed position, showing our new design;
FIG. 2 is a top plan view thereof, with the lid shown in open position;
FIG. 3 is a reduced front left perspective view thereof with the lid shown in open position, it being understood that the right side is a mirror image of the side shown; and,
FIG. 4 is a reduced front left perspective view thereof with the lid shown in closed position, it being understood that the right side is a mirror image of the side shown.

1 Claim, 3 Drawing Sheets



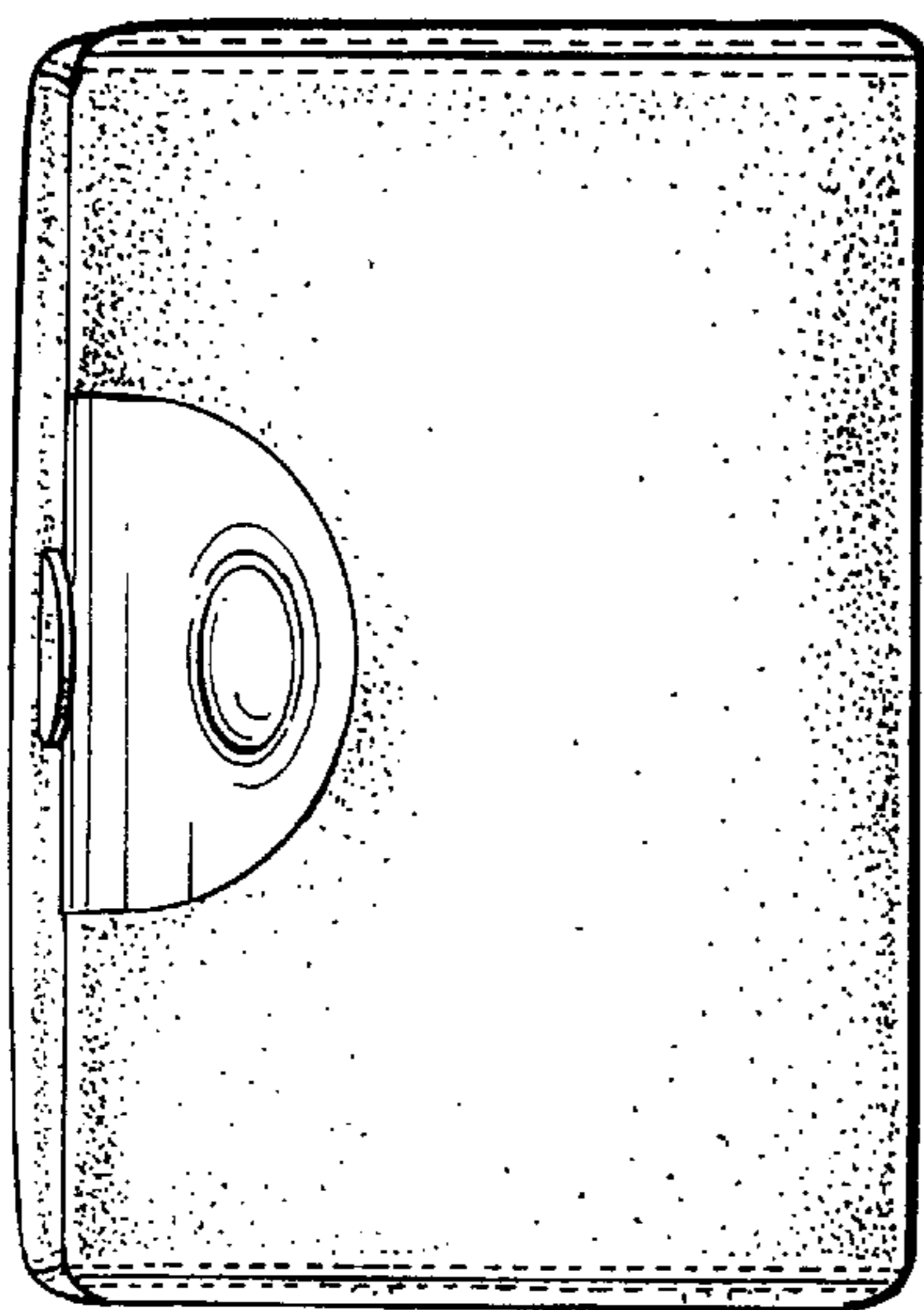


FIG. 1

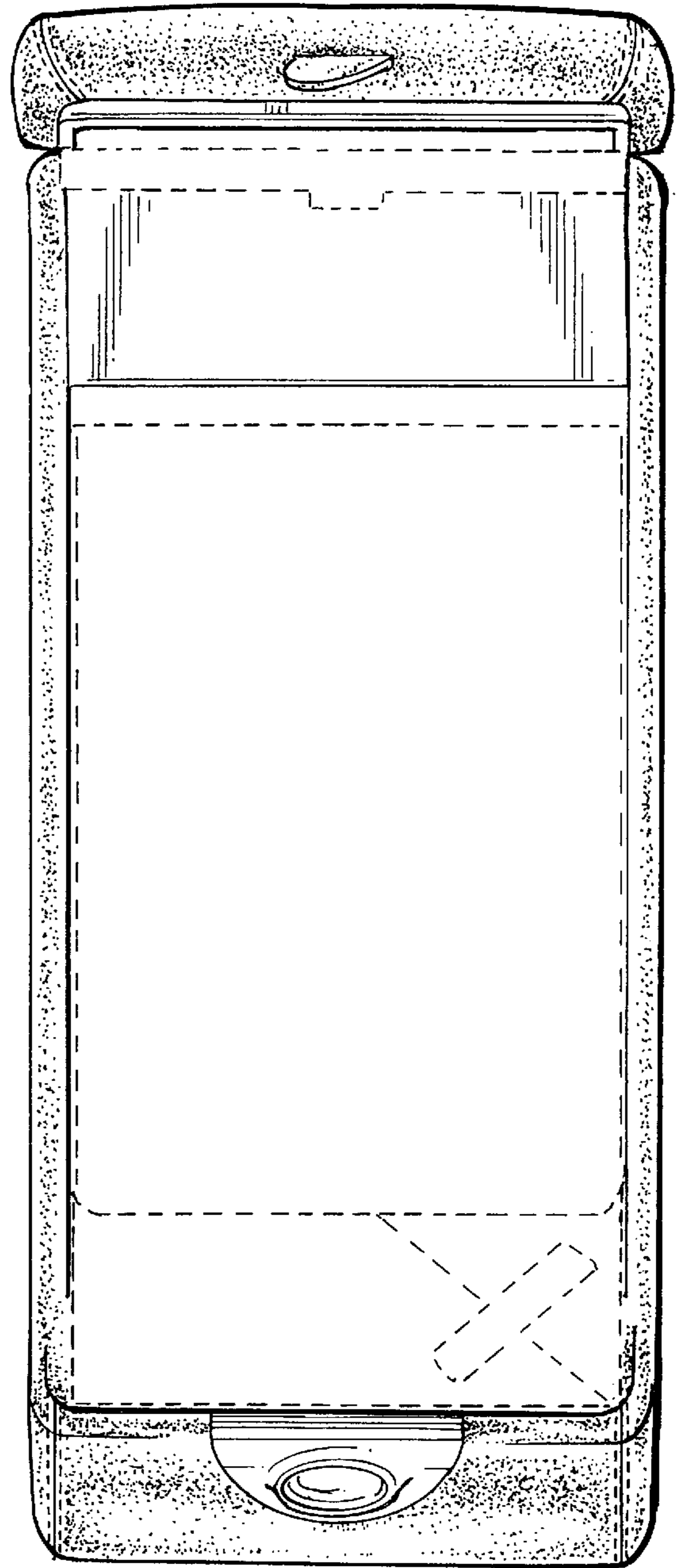


FIG. 2

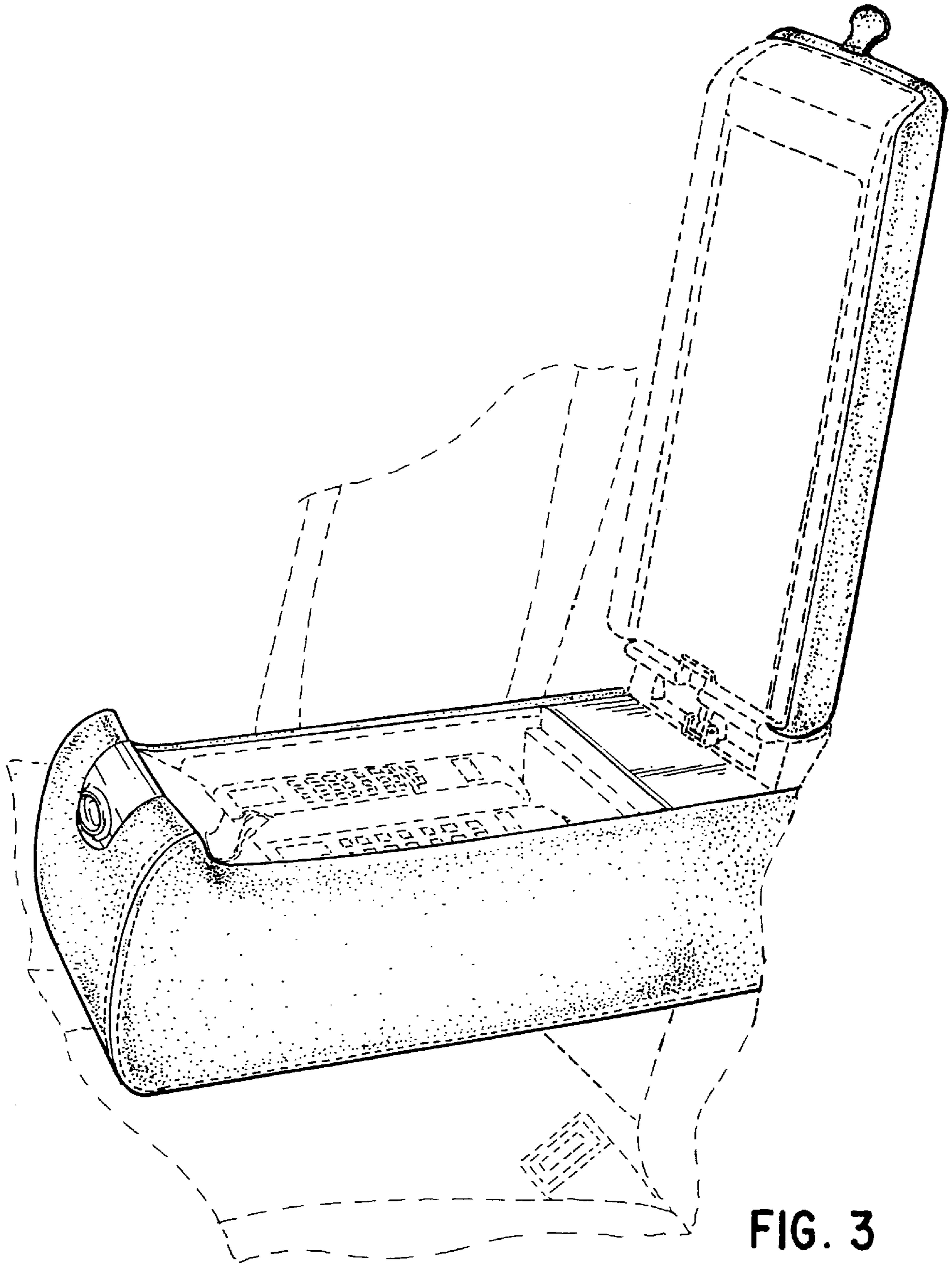


FIG. 3

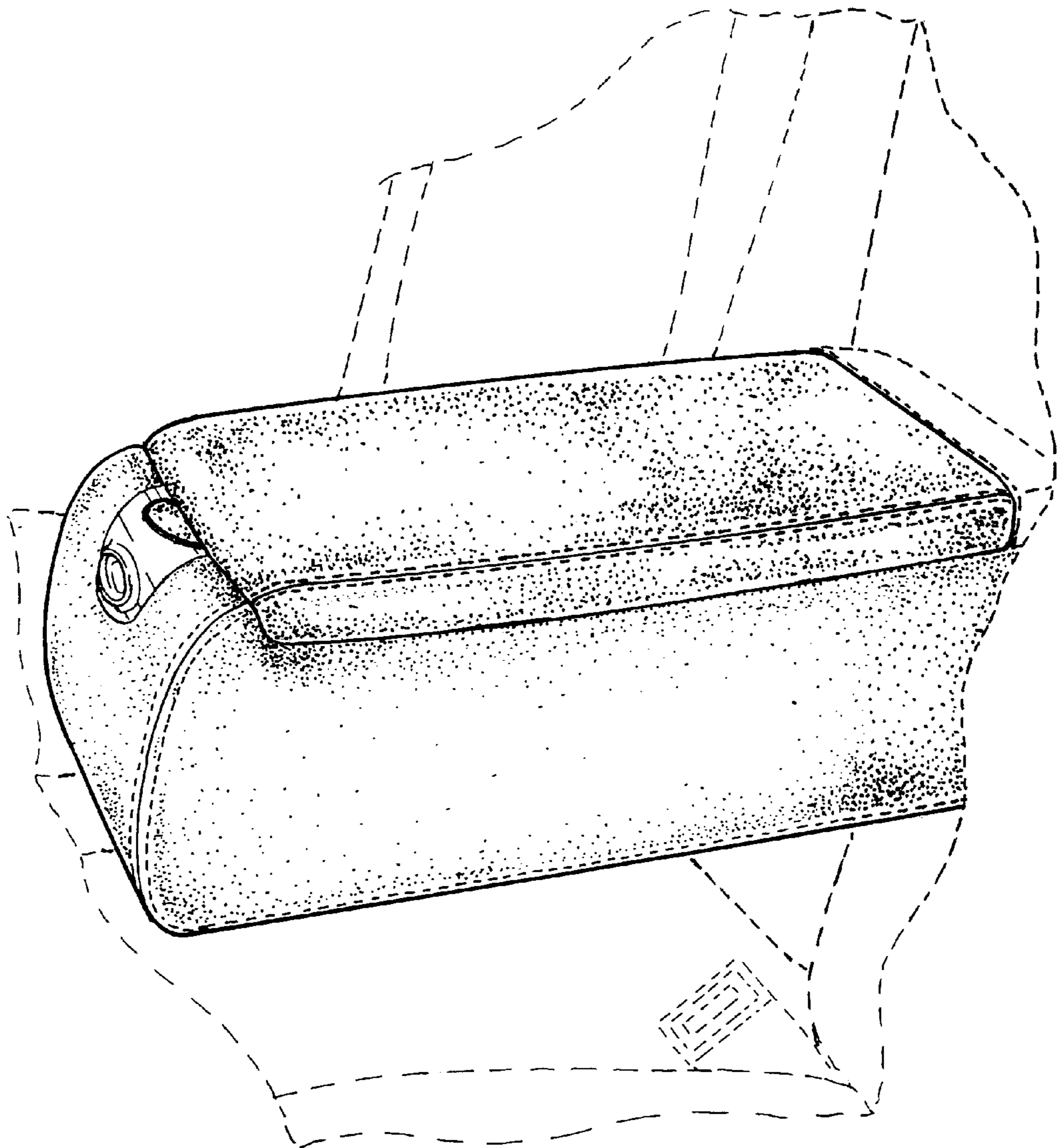


FIG. 4