



US00D411971S

# United States Patent [19]

McMahon et al.

[11] Patent Number: **Des. 411,971**

[45] Date of Patent: **\*\* Jul. 13, 1999**

[54] **TRICYCLE**

[75] Inventors: **Daniel P. McMahon**, Denville;  
**Michael P. Albarelli, Jr.**, Chester, both  
of N.J.

[73] Assignee: **Amlold Corporation**, Saddle Brook,  
N.J.

[\*\*] Term: **14 Years**

[21] Appl. No.: **29/083,364**

[22] Filed: **Feb. 6, 1998**

[51] **LOC (6) Cl.** ..... **12-11**

[52] **U.S. Cl.** ..... **D12/112**

[58] **Field of Search** ..... **D12/112, 113;**  
**280/267, 282, 259**

[56] **References Cited**

**U.S. PATENT DOCUMENTS**

D. 277,947 3/1985 Blumenthal ..... D12/112

D. 279,464 7/1985 Kane ..... D12/112  
D. 280,087 8/1985 Wing-Wong ..... D12/112  
D. 337,973 8/1993 Mariol ..... D12/112  
D. 351,125 10/1994 Chen ..... D12/112

*Primary Examiner*—Melody N. Brown  
*Attorney, Agent, or Firm*—Arthur Jacob

[57] **CLAIM**

The ornamental design for a tricycle, as shown.

**DESCRIPTION**

FIG. 1 is a front and right-side perspective view showing our new design;

FIG. 2 is a right side elevational view thereof;

FIG. 3 is a top plan view thereof;

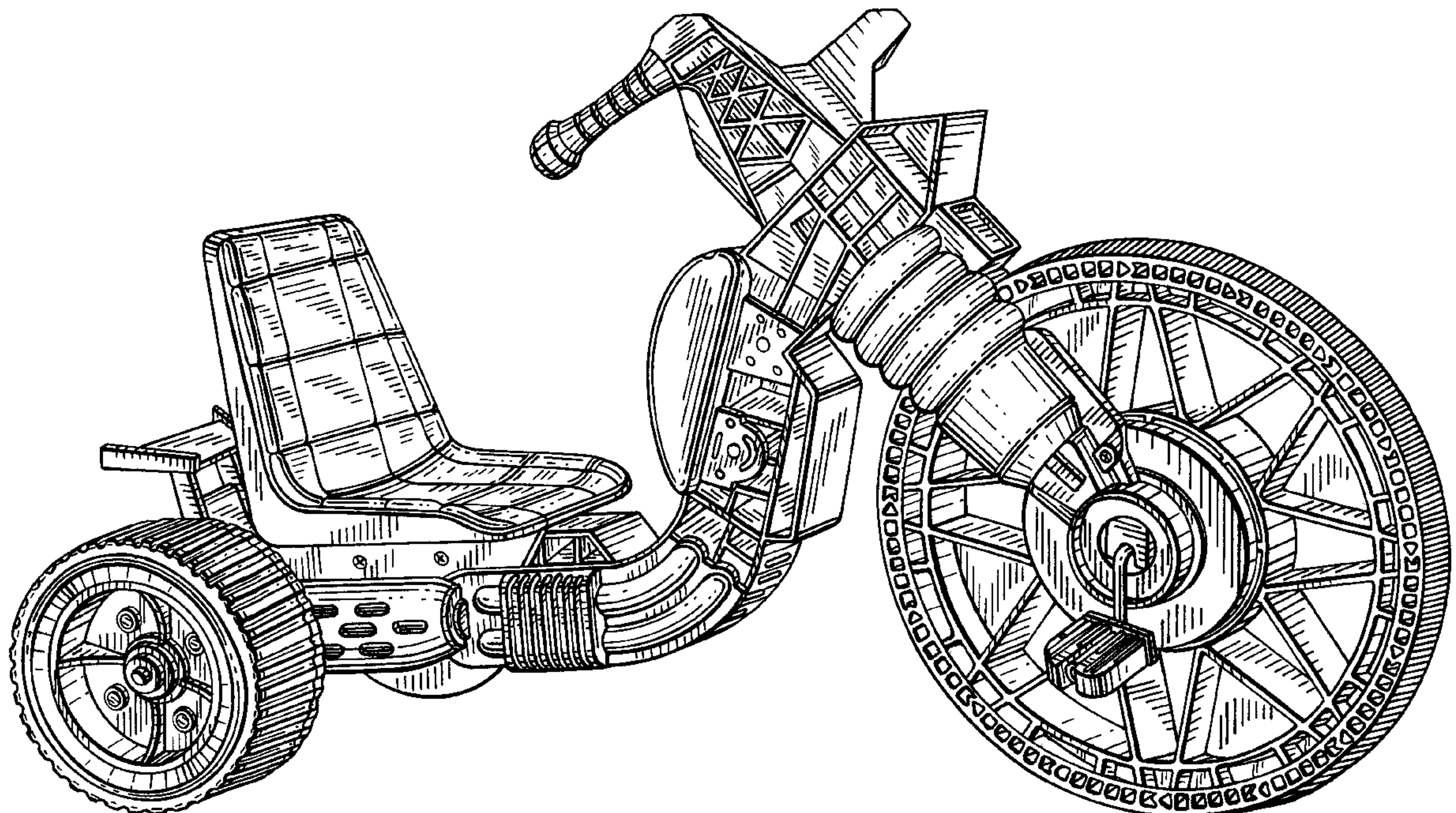
FIG. 4 is a front elevational view thereof;

FIG. 5 is a rear elevational view thereof;

FIG. 6 is a bottom plan view thereof; and,

FIG. 7 is a left side elevational view thereof.

**1 Claim, 7 Drawing Sheets**





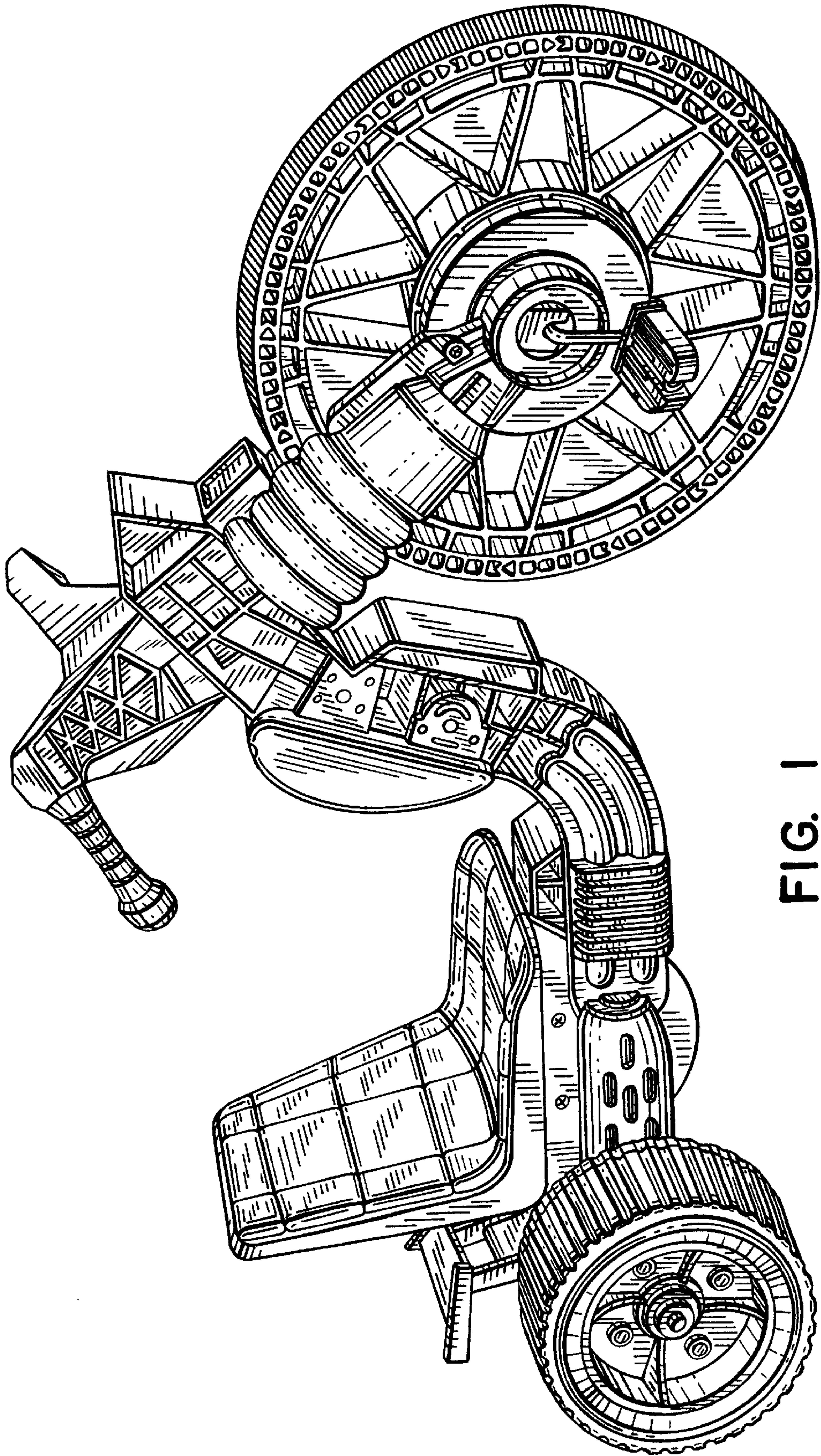


FIG. 1



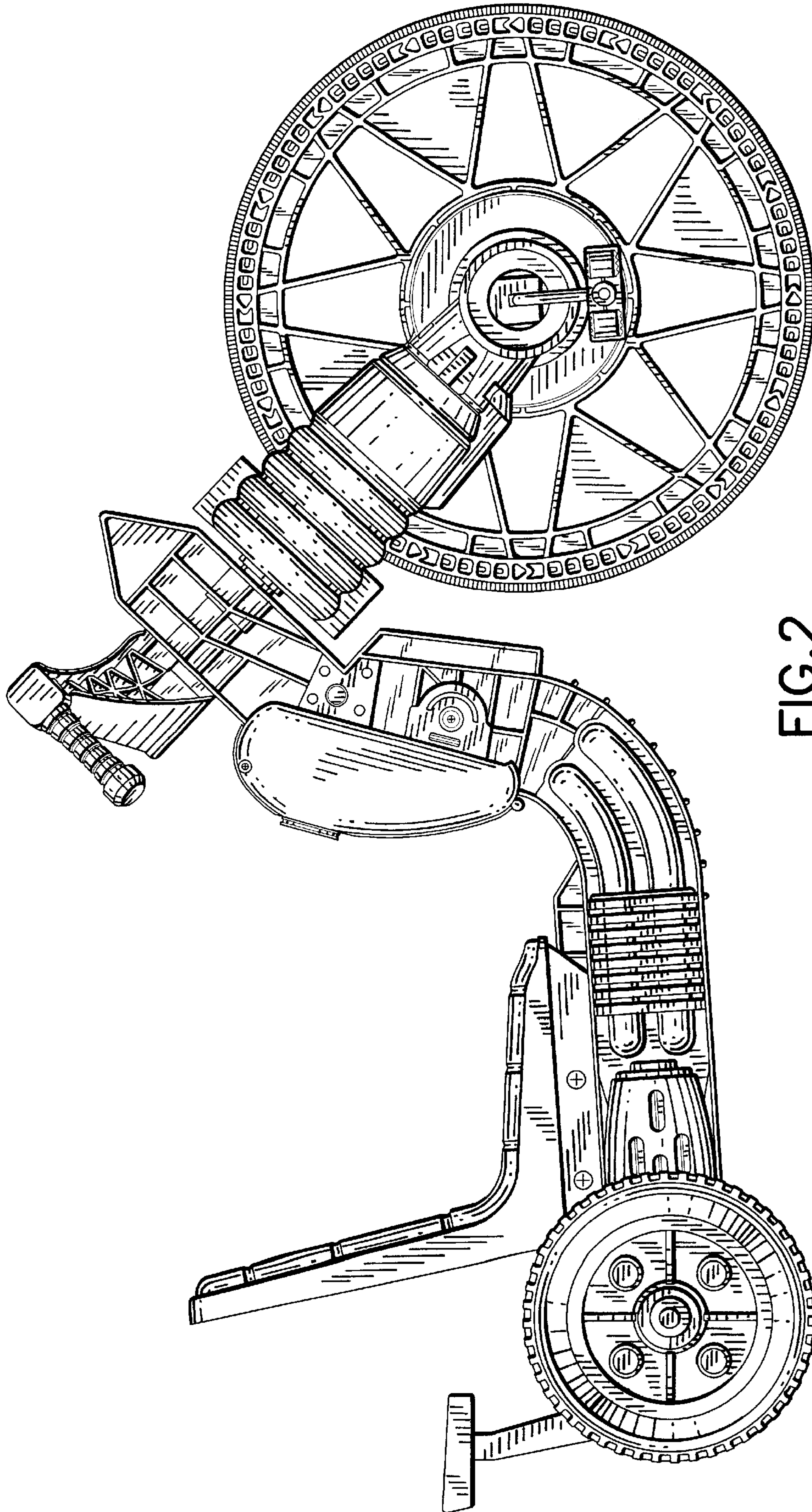


FIG. 2

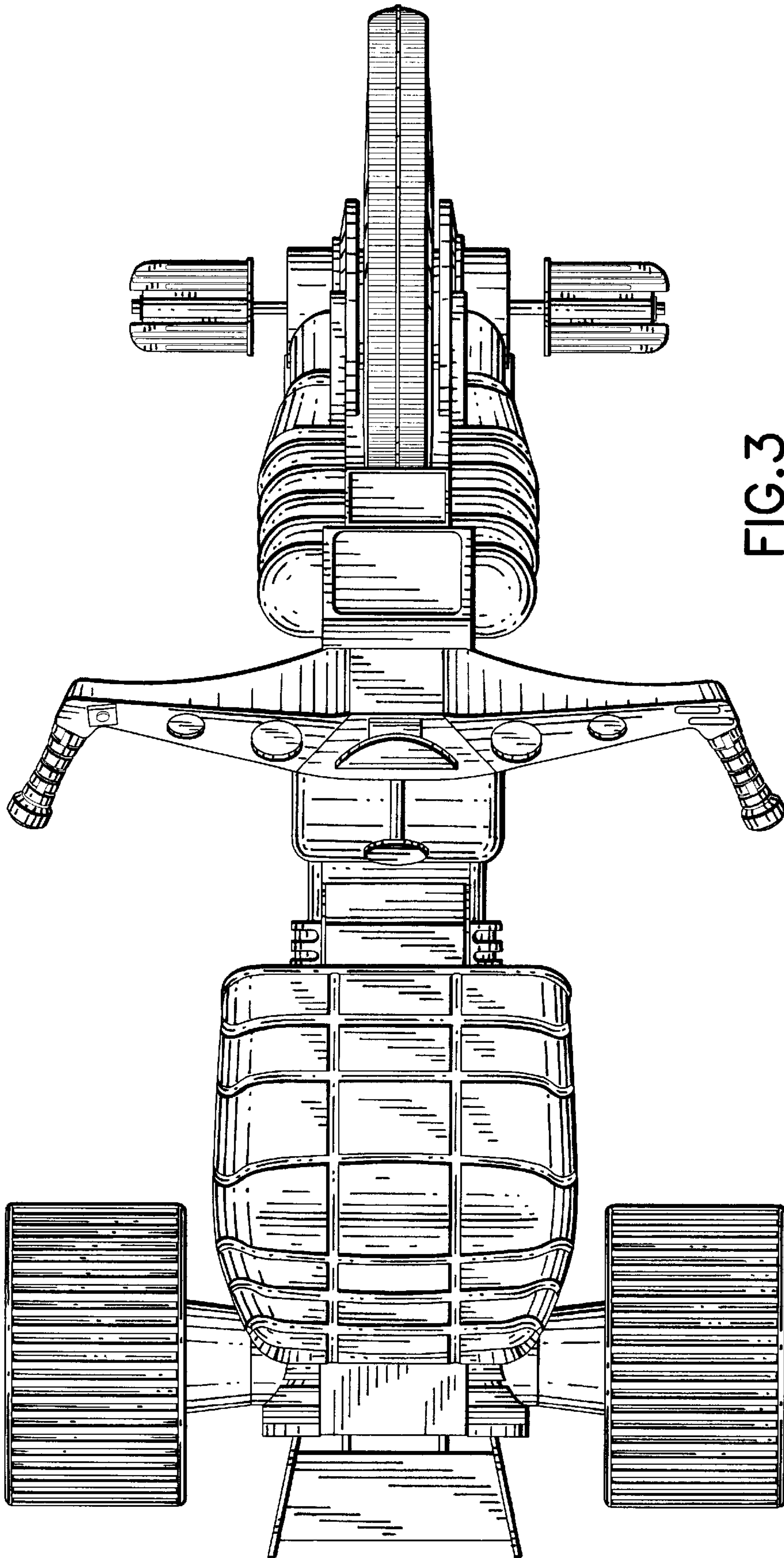


FIG. 3

FIG. 4

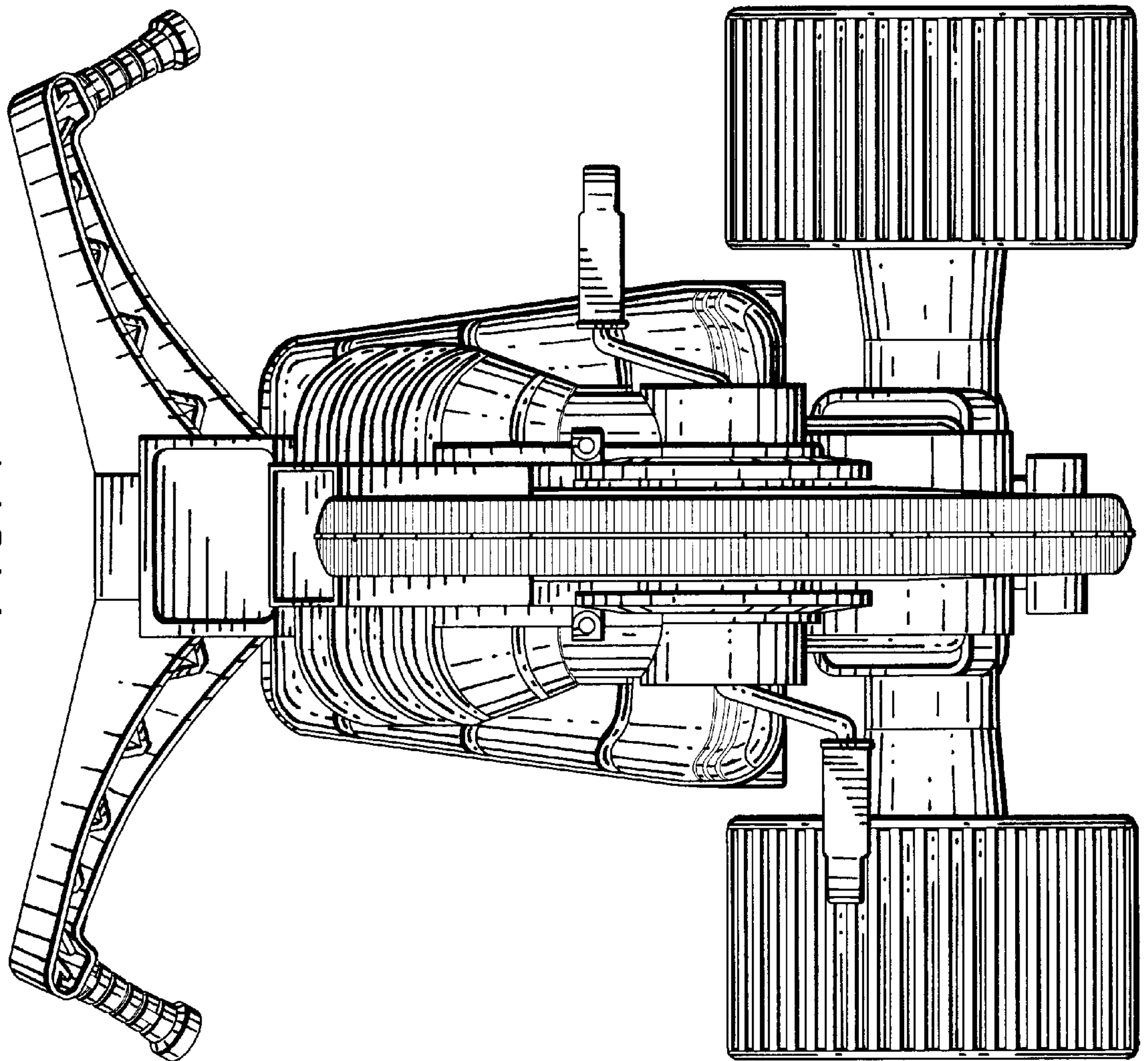
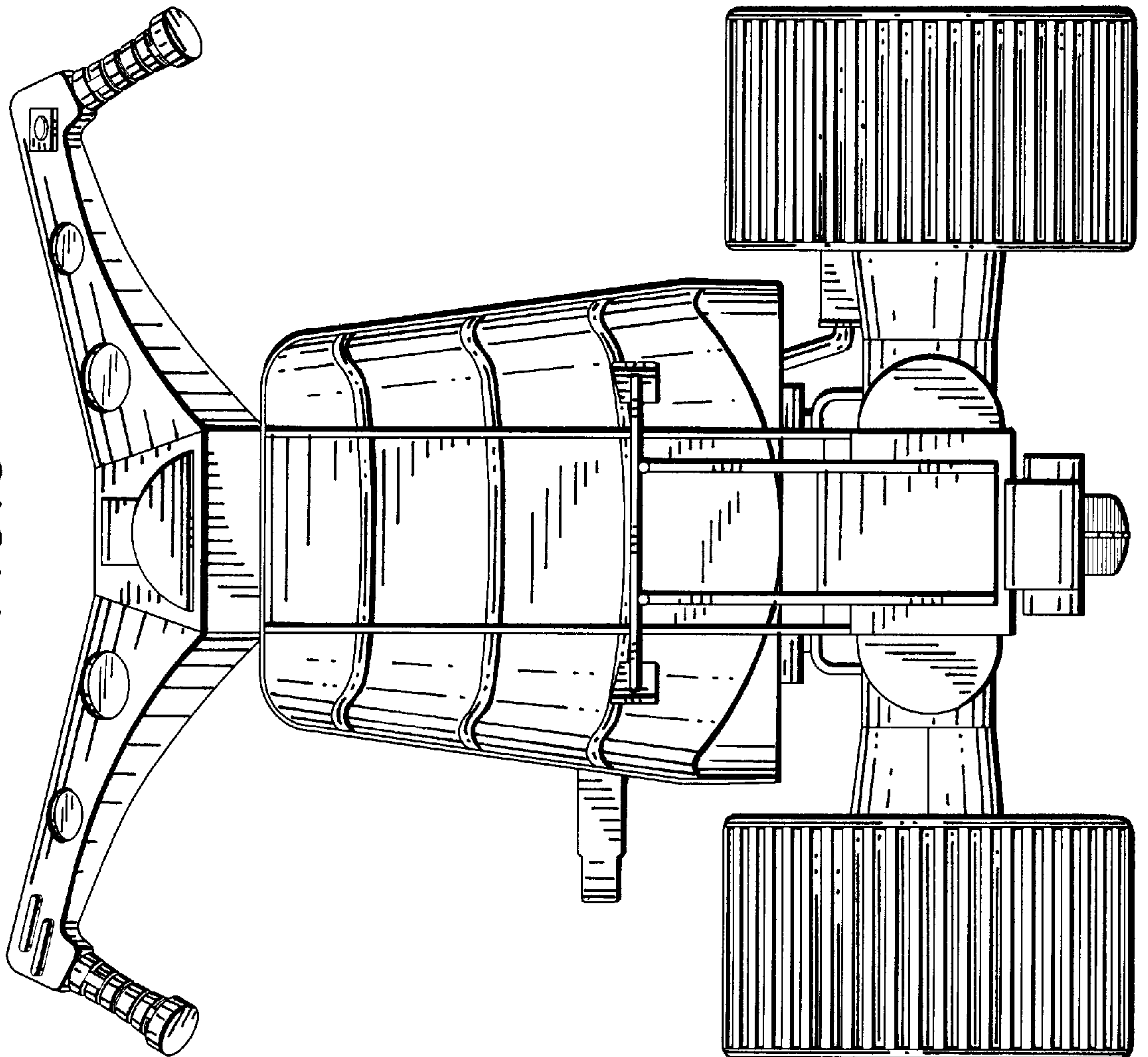




FIG. 5



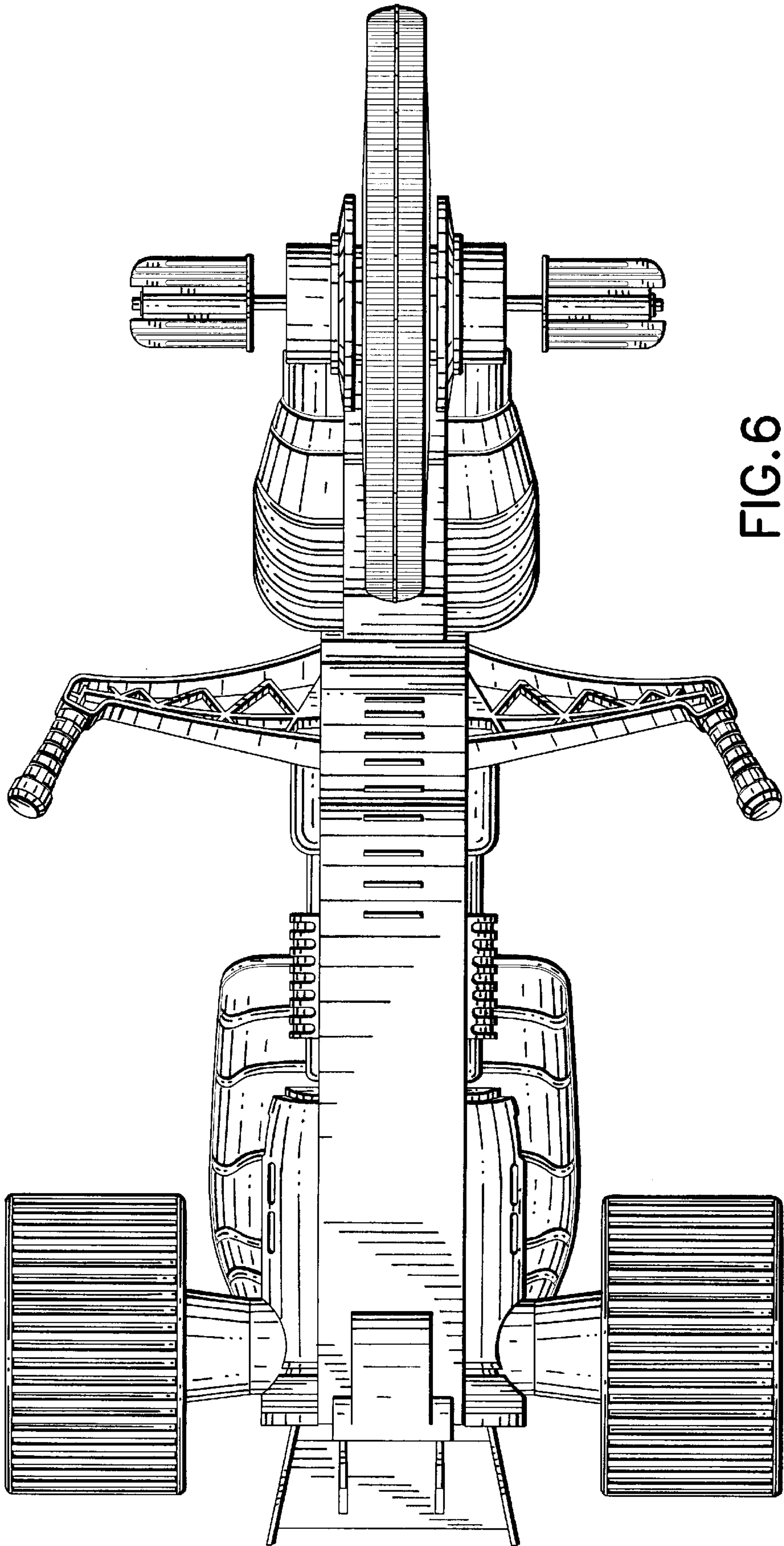


FIG.6

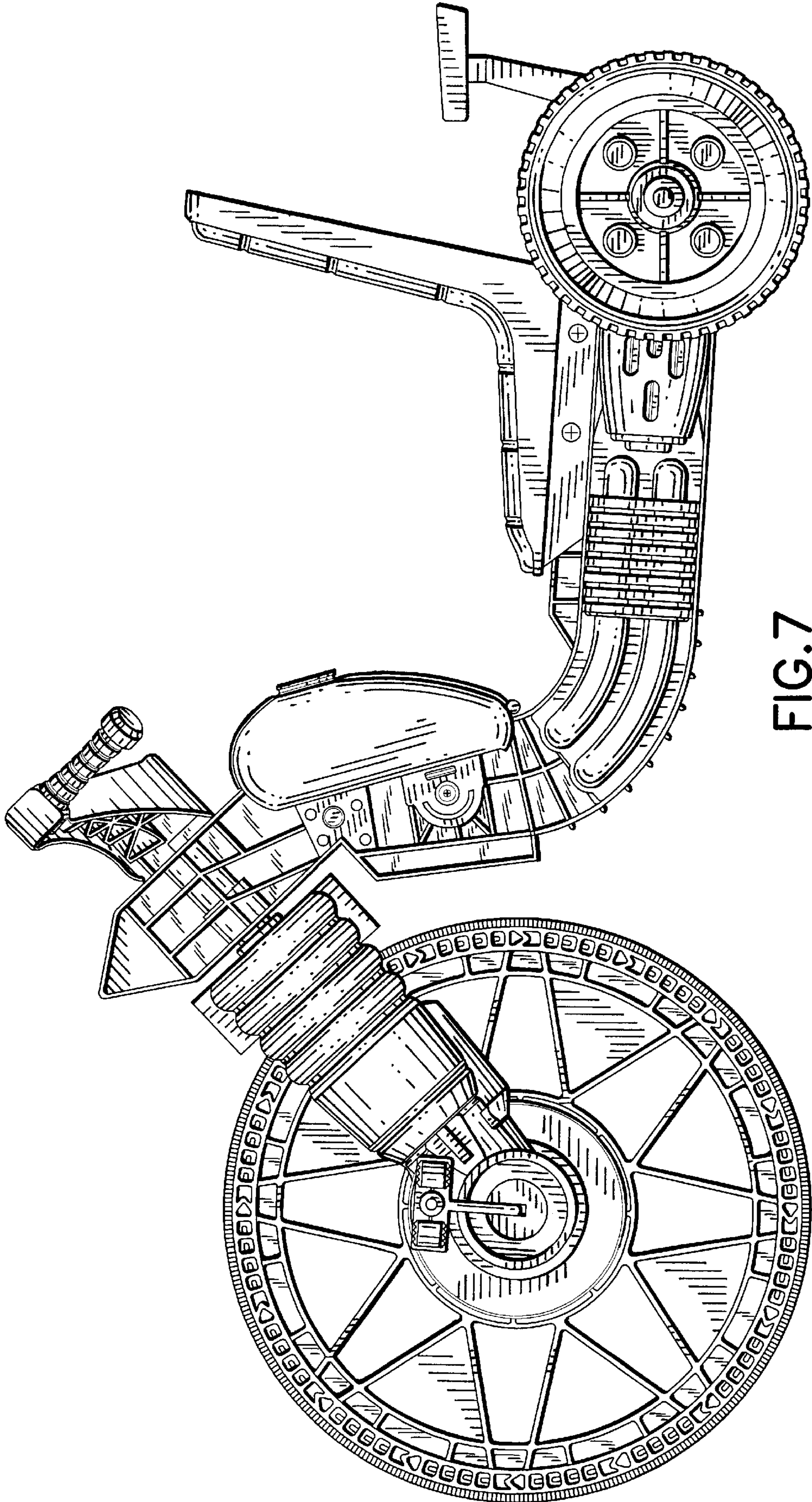


FIG. 7