



US00D411970S

# United States Patent [19]

[11] **Patent Number: Des. 411,970**

**Ullman et al.**

[45] **Date of Patent: \*\* Jul. 13, 1999**

[54] **RECUMBENT BICYCLE FRAME**

[76] Inventors: **David G. Ullman**, 1655 NW. Hillcrest Dr.; **Paul A. Atwood**, 2315 SE. Crystal Lake Dr., both of Corvallis, Oreg. 97330

[\*\*] Term: **14 Years**

[21] Appl. No.: **29/070,494**

[22] Filed: **May 8, 1997**

D. 293,660	1/1988	Foehner	.....	D12/111
D. 304,319	10/1989	Brummer	.....	D12/111
D. 393,235	4/1998	Ullman et al.	.....	D12/111
4,925,203	5/1990	Buckler	.....	280/288.1
5,201,538	4/1993	Mayn	.....	280/288.1
5,261,686	11/1993	Buckler	.....	280/288.1
5,290,054	3/1994	Po	.....	280/288.1
5,328,194	7/1994	Buckler	.....	280/288.1
5,368,321	11/1994	Berman et al.	.....	280/282

### Related U.S. Application Data

[63] Continuation of application No. 29/068,069, Feb. 11, 1997, Pat. No. Des. 393,235, which is a continuation of application No. 29/042,724, Aug. 1, 1995, abandoned, which is a continuation of application No. 08/406,647, Mar. 20, 1995, Pat. No. 5,509,678, which is a continuation of application No. 08/188,036, Jan. 28, 1994, abandoned.

[51] **LOC (6) Cl.** ..... **12-11**

[52] **U.S. Cl.** ..... **D12/111**

[58] **Field of Search** ..... D12/111; 280/281.1, 280/288.1, 288.3, 282, 267

*Primary Examiner*—Melody W. Brown  
*Attorney, Agent, or Firm*—J. Preston Oxenham

### [57] CLAIM

The ornamental design for a recumbent bicycle frame, as shown and described.

### DESCRIPTION

FIG. 1 is a side elevation view of a recumbent bicycle frame showing our new design;  
FIG. 2 is a front elevation thereof;  
FIG. 3 is a rear elevation thereof;  
FIG. 4 is a right side elevation thereof;  
FIG. 5 is a top plan view thereof; and,  
FIG. 6 is a perspective view thereof.

### [56] References Cited

#### U.S. PATENT DOCUMENTS

D. 275,273 8/1984 Martin et al. .... D12/111

**1 Claim, 5 Drawing Sheets**



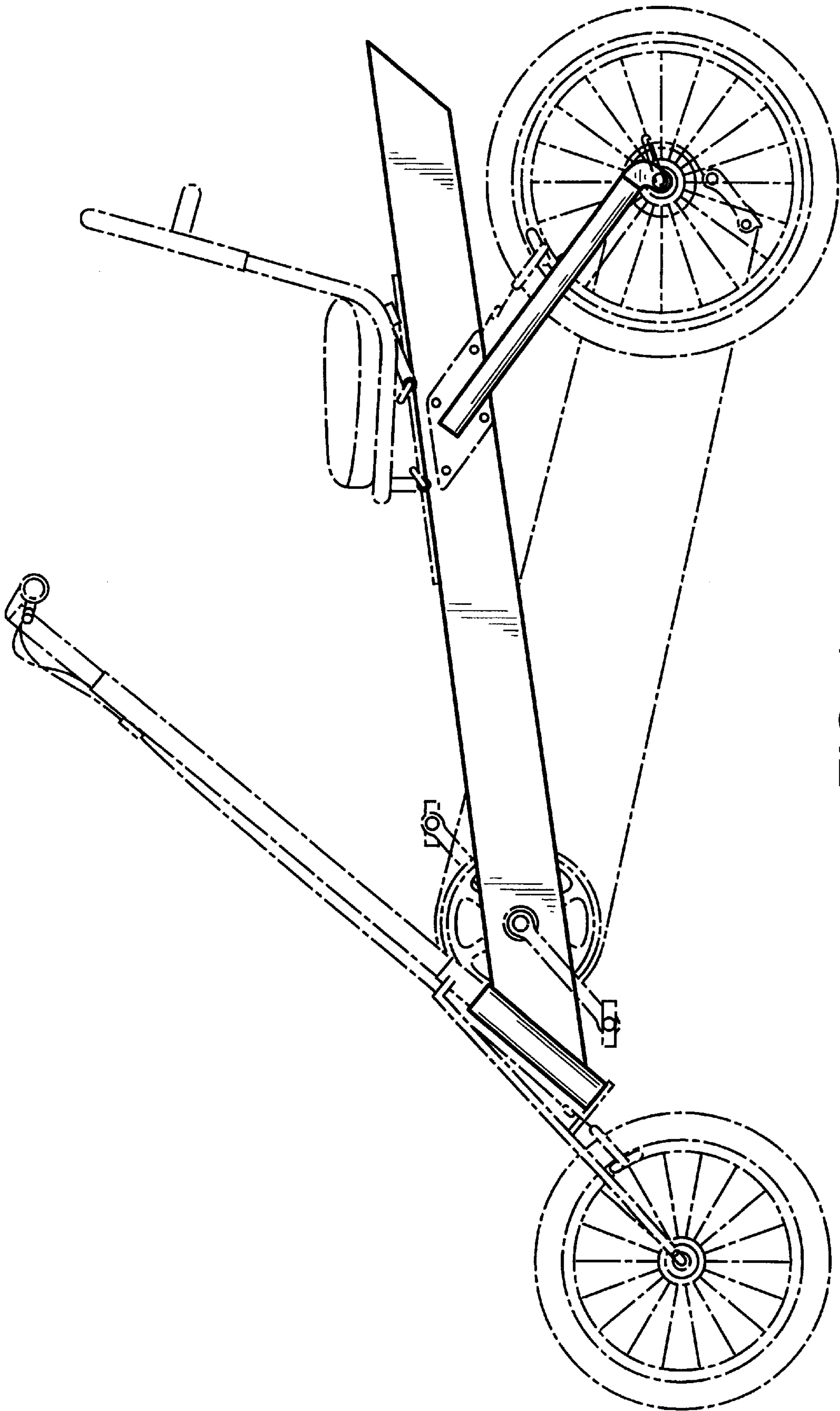


FIG. 1

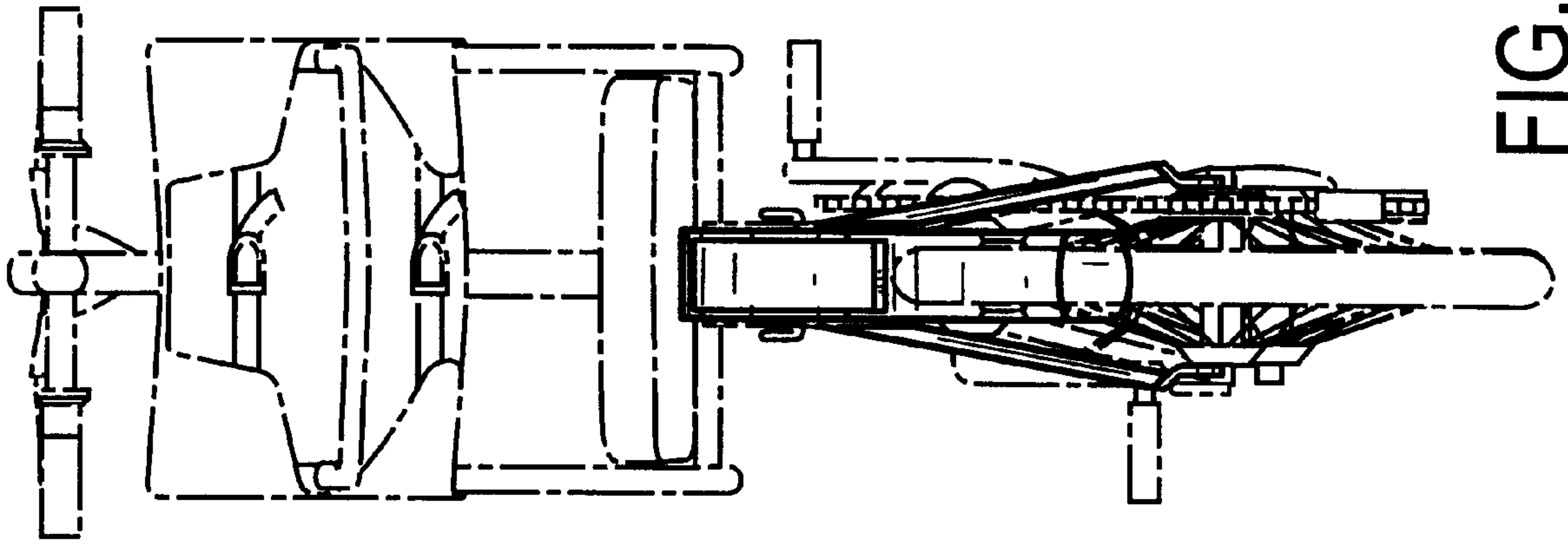


FIG. 3

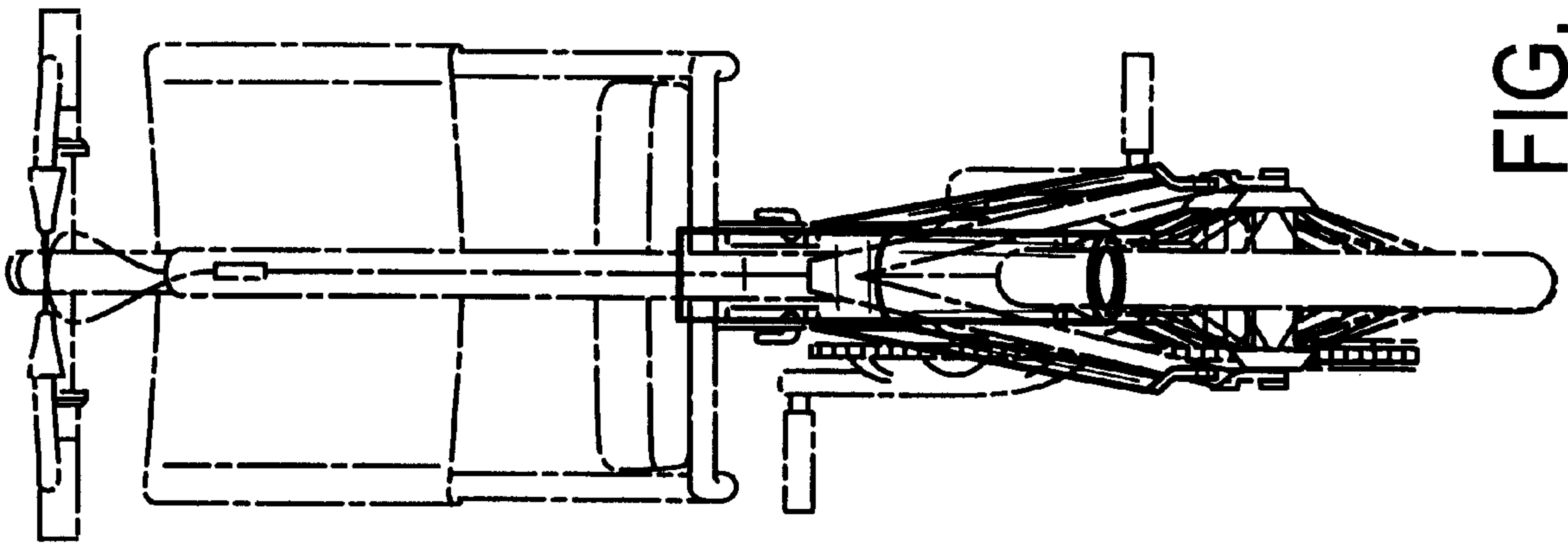


FIG. 2

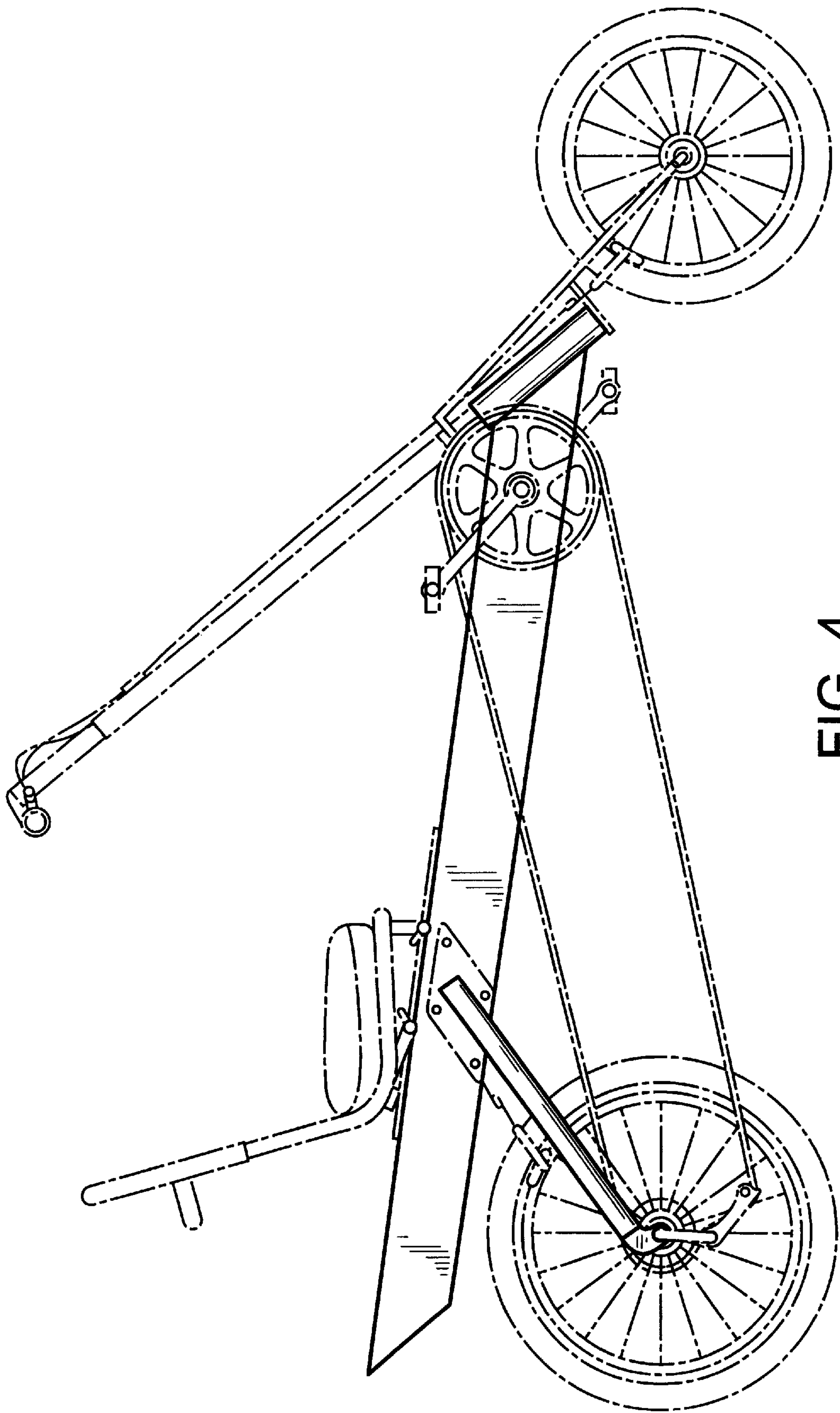


FIG. 4



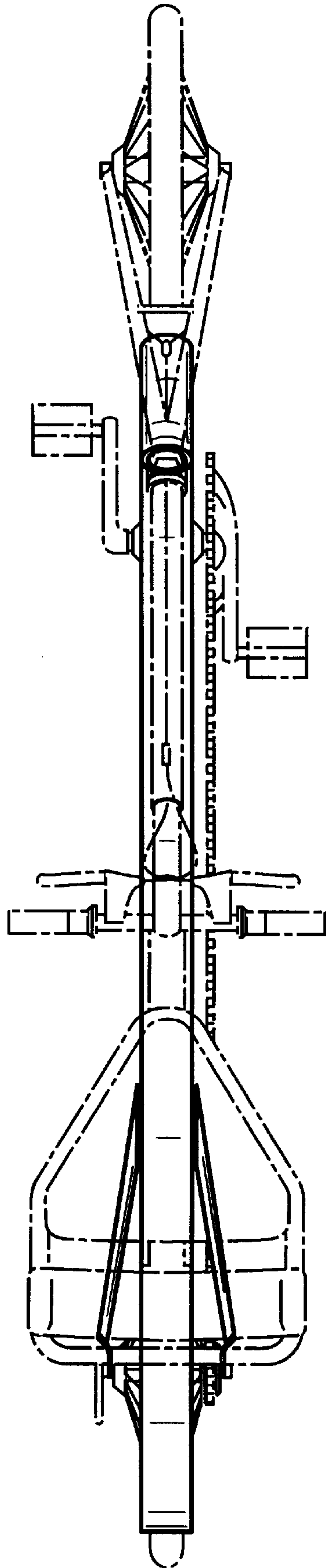


FIG. 5

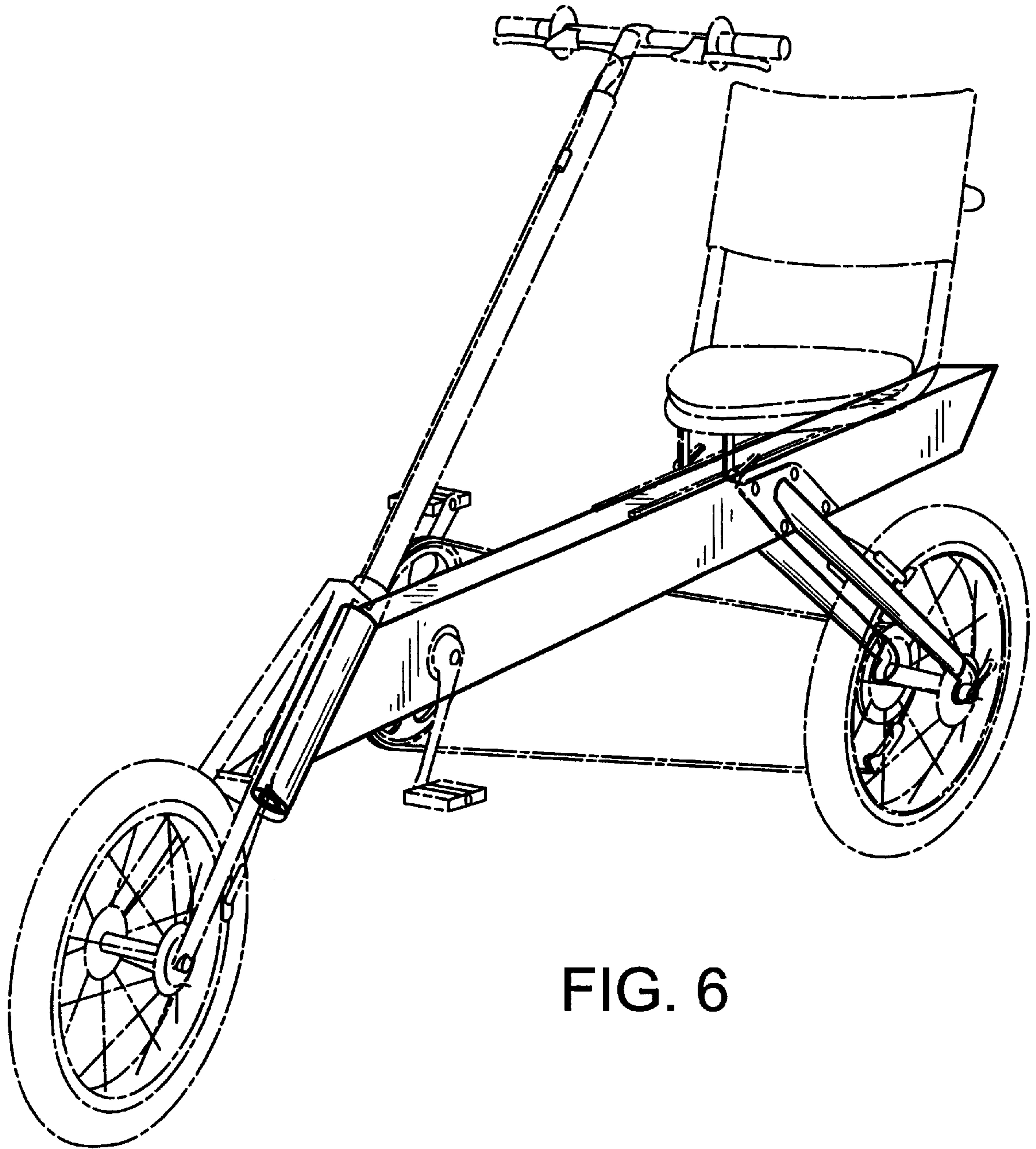


FIG. 6