



US00D411965S

United States Patent [19] Ruegg, Sr.

[11] **Patent Number: Des. 411,965**
[45] **Date of Patent: ** Jul. 13, 1999**

[54] **ARTICLE OF JEWELRY**
[76] **Inventor: H. Lloyd Ruegg, Sr., 212 Heuhslein Rd., Port Angeles, Wash. 98362**
[**] **Term: 14 Years**
[21] **Appl. No.: 29/086,152**
[22] **Filed: Apr. 7, 1998**

D. 283,807 5/1986 Dobbins D11/79
D. 334,725 4/1993 White D11/96
D. 342,917 1/1994 Arman D11/48
D. 383,698 9/1997 Fletcher D11/40
1,732,250 10/1929 Wehse 63/14.2
4,939,913 7/1990 Scungio et al. 63/21

Primary Examiner—Cathy Anne MacCormac
Attorney, Agent, or Firm—Kathleen T. Petrich

Related U.S. Application Data

[51] **LOC (6) Cl. 11-01**
[52] **U.S. Cl. D11/40; D11/44; D11/43; D11/79**
[58] **Field of Search D11/40, 52, 59-68, D11/74-79, 3; 63/1.11, 12-13, 18-19, 21, 26-28, 38, 14.1-14.2, 3, 4, 96**

[57] CLAIM

The ornamental design for an article of jewelry, as shown and described.

DESCRIPTION

FIG. 1 is a perspective view of an article of jewelry showing my new design;
FIG. 2 is a front view thereof;
FIG. 3 is a right side elevational view thereof;
FIG. 4 is a rear view thereof;
FIG. 5 is a left side elevational view thereof;
FIG. 6 is a top plan view rotated 180 degrees thereof;
FIG. 7 is a bottom plan view thereof; and,
FIG. 8 is a perspective view of a second embodiment of FIG. 1.

The broken lines in FIGS. 1 and 8 are for purposes of illustration only and form no part of the claimed design.

[56] References Cited

U.S. PATENT DOCUMENTS

D. 114,212 4/1939 Graeter D11/48
D. 132,455 5/1942 Nathan D11/77
D. 150,787 7/1948 Katz D11/77
D. 166,975 6/1952 Katz D11/77
D. 169,458 4/1953 Sememsohn D11/77
D. 175,619 9/1955 Katz D11/77
D. 176,525 1/1956 Katz D11/79
D. 186,460 10/1959 Kunzmann D11/79

1 Claim, 3 Drawing Sheets

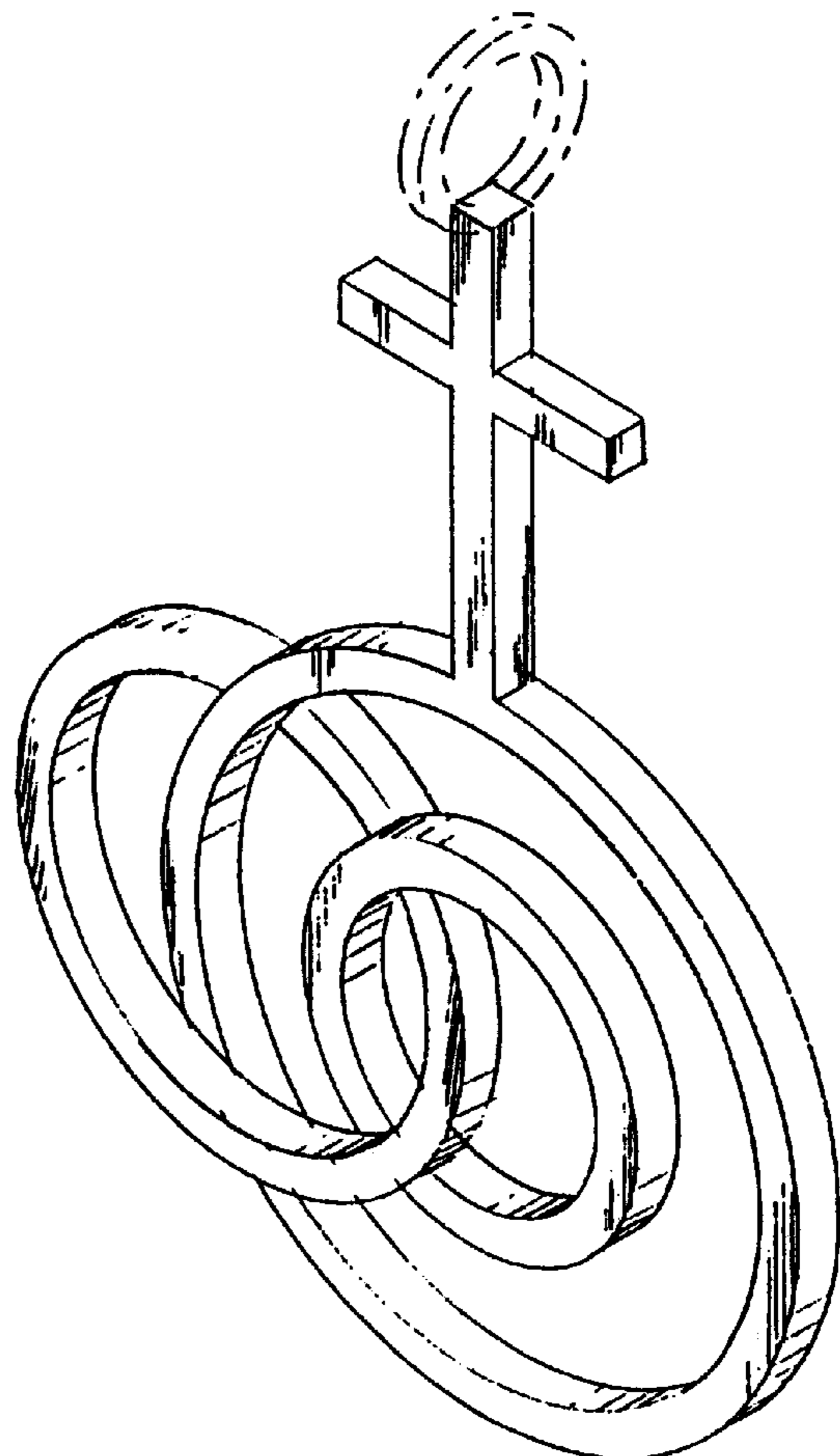
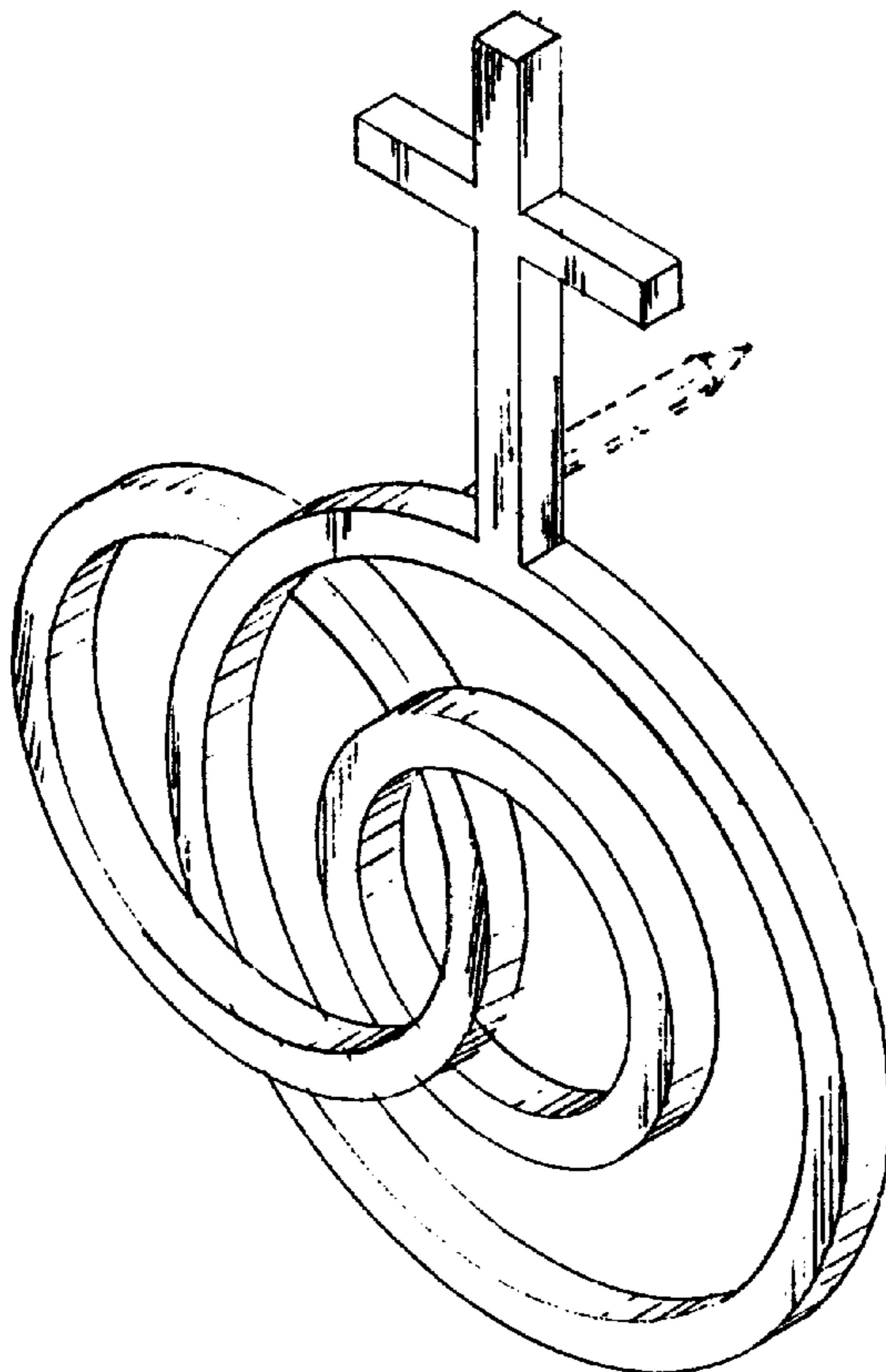


FIG. 1

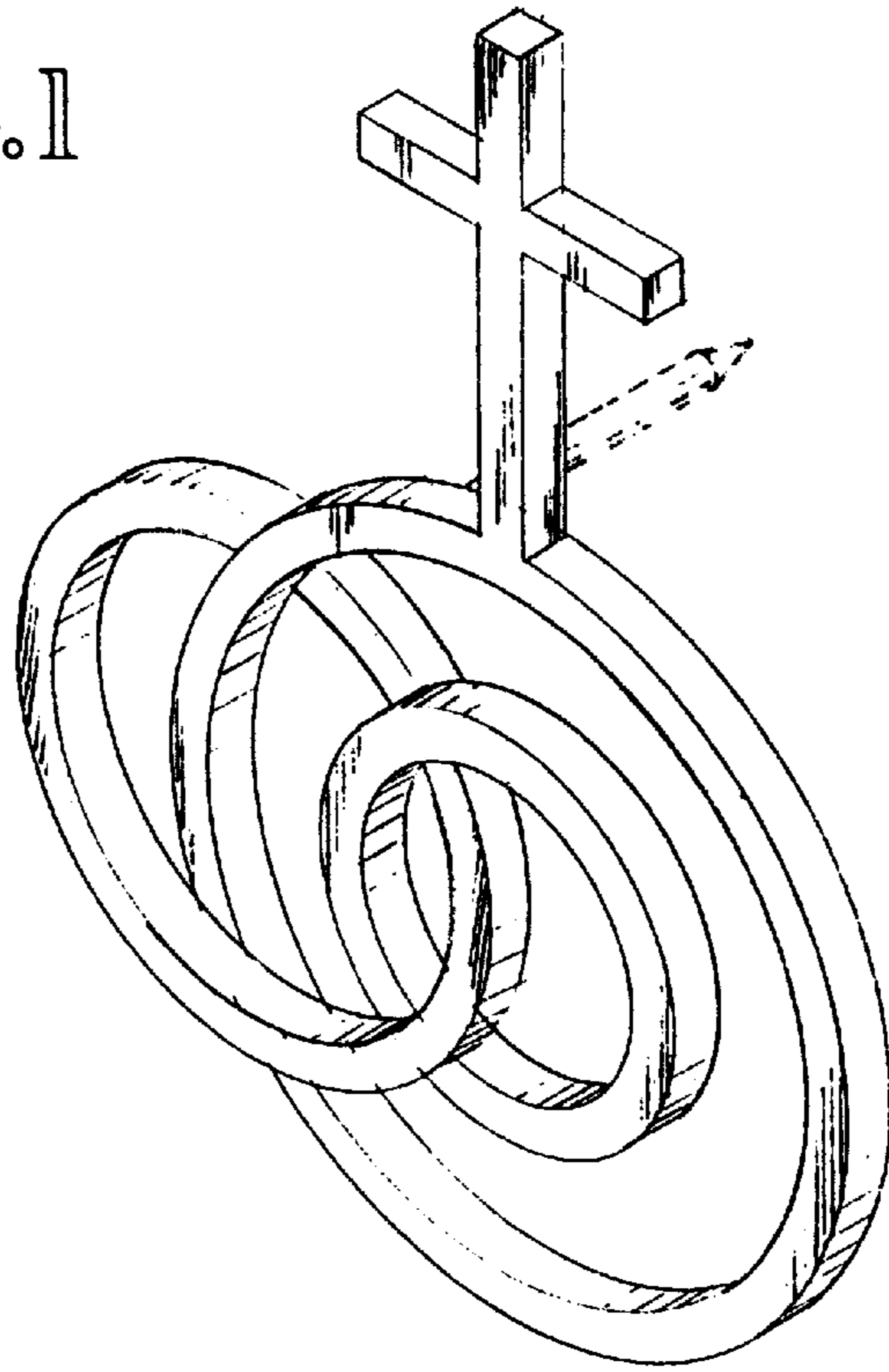


FIG. 2

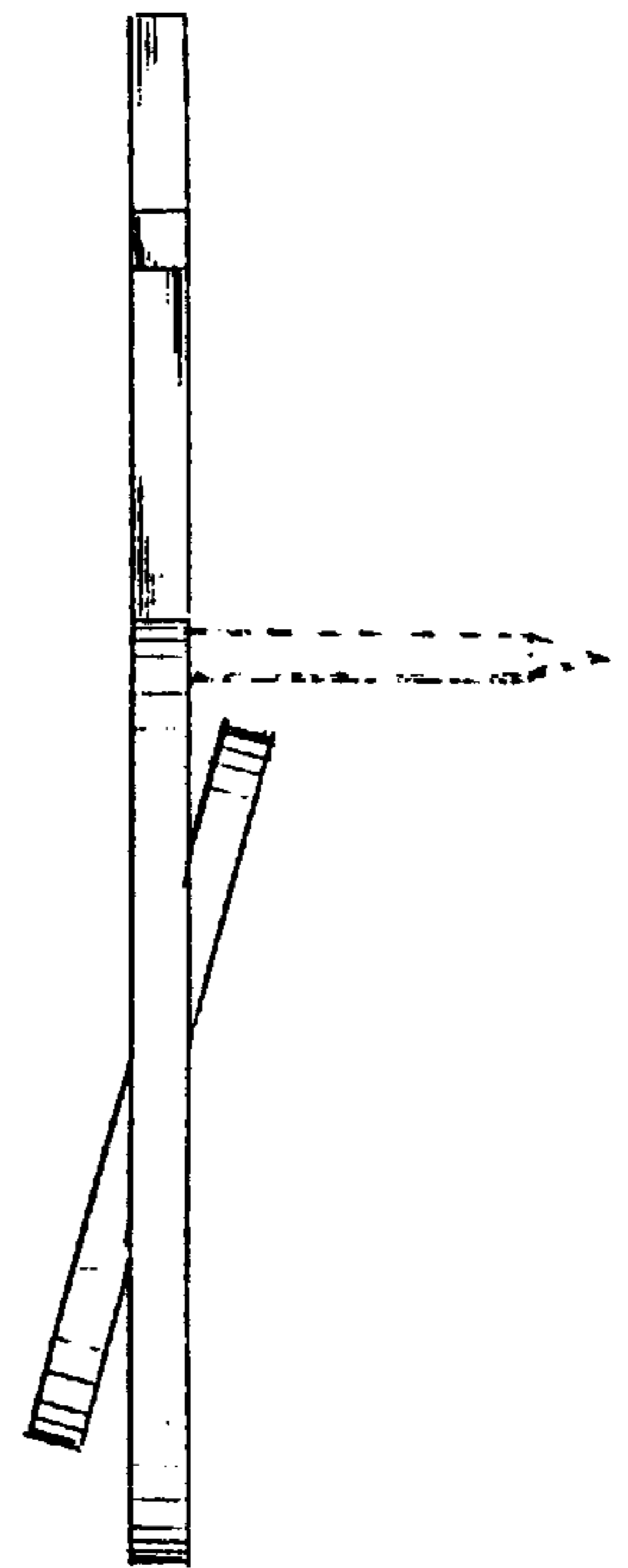
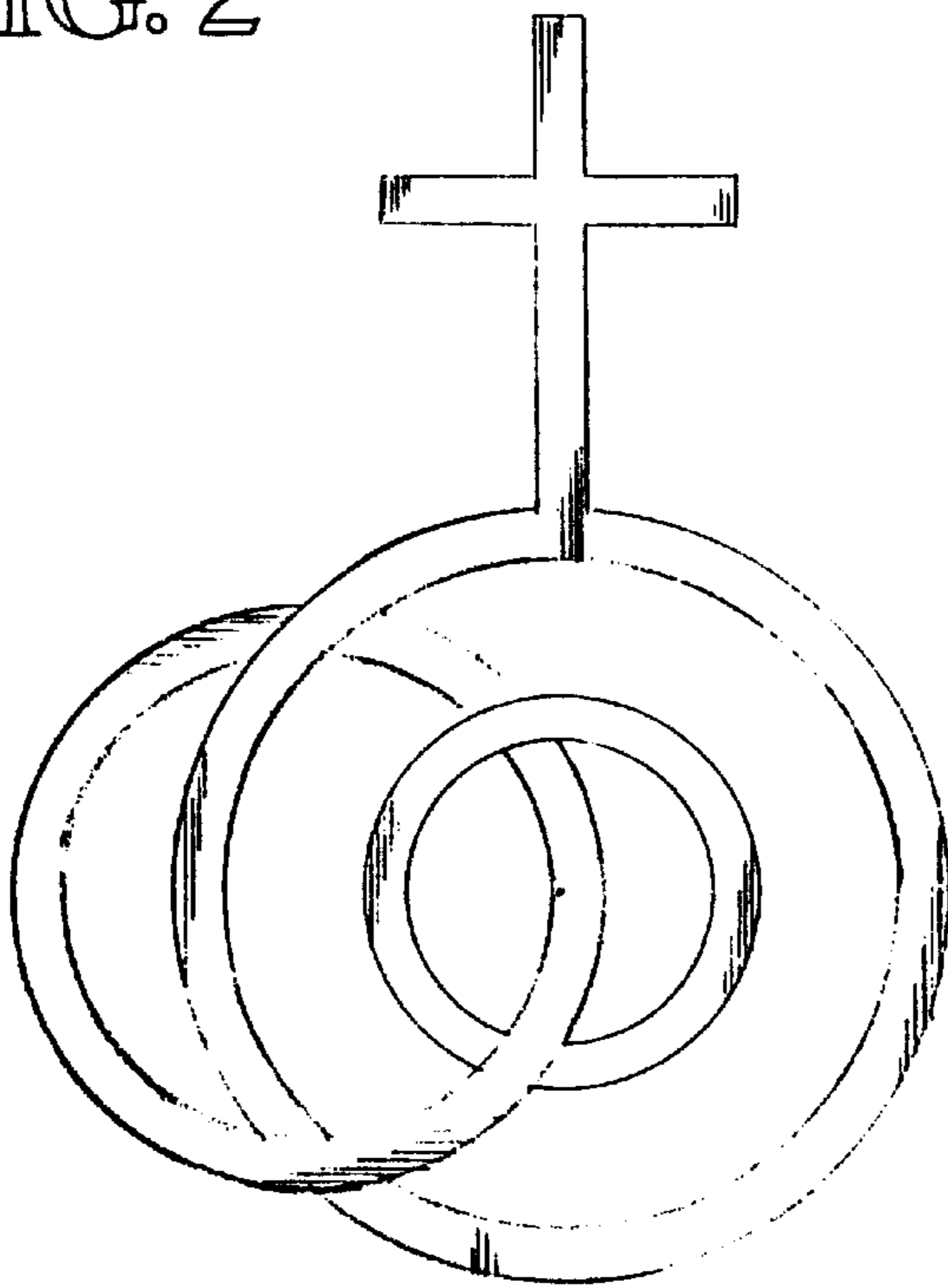


FIG. 3

FIG. 4

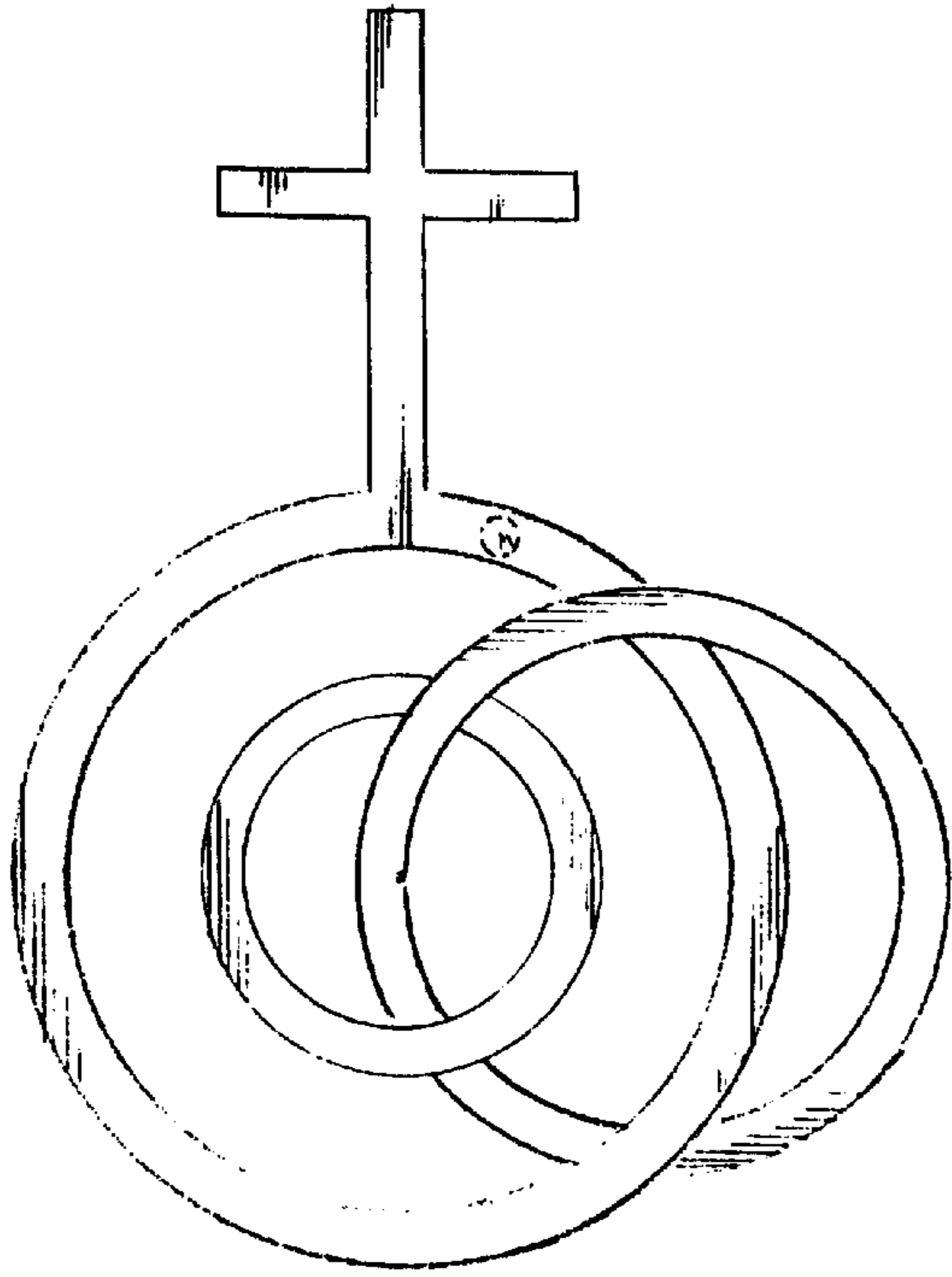


FIG. 5

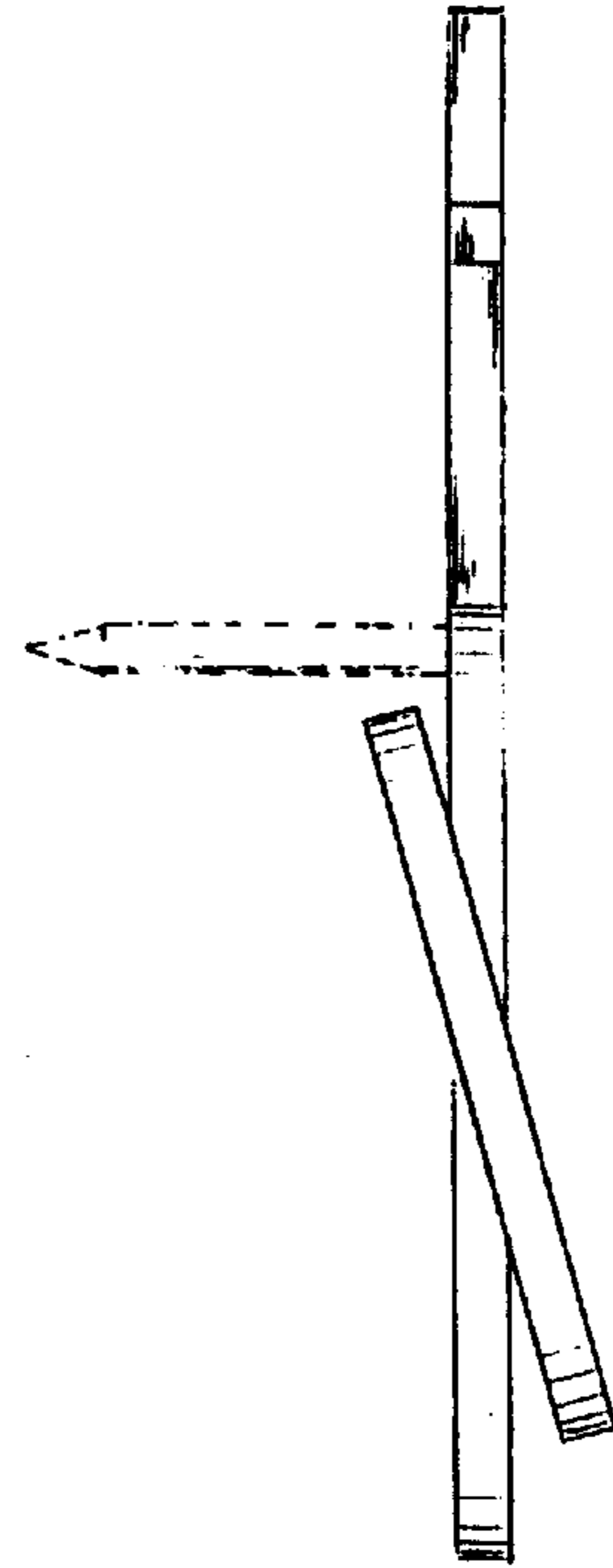


FIG. 6

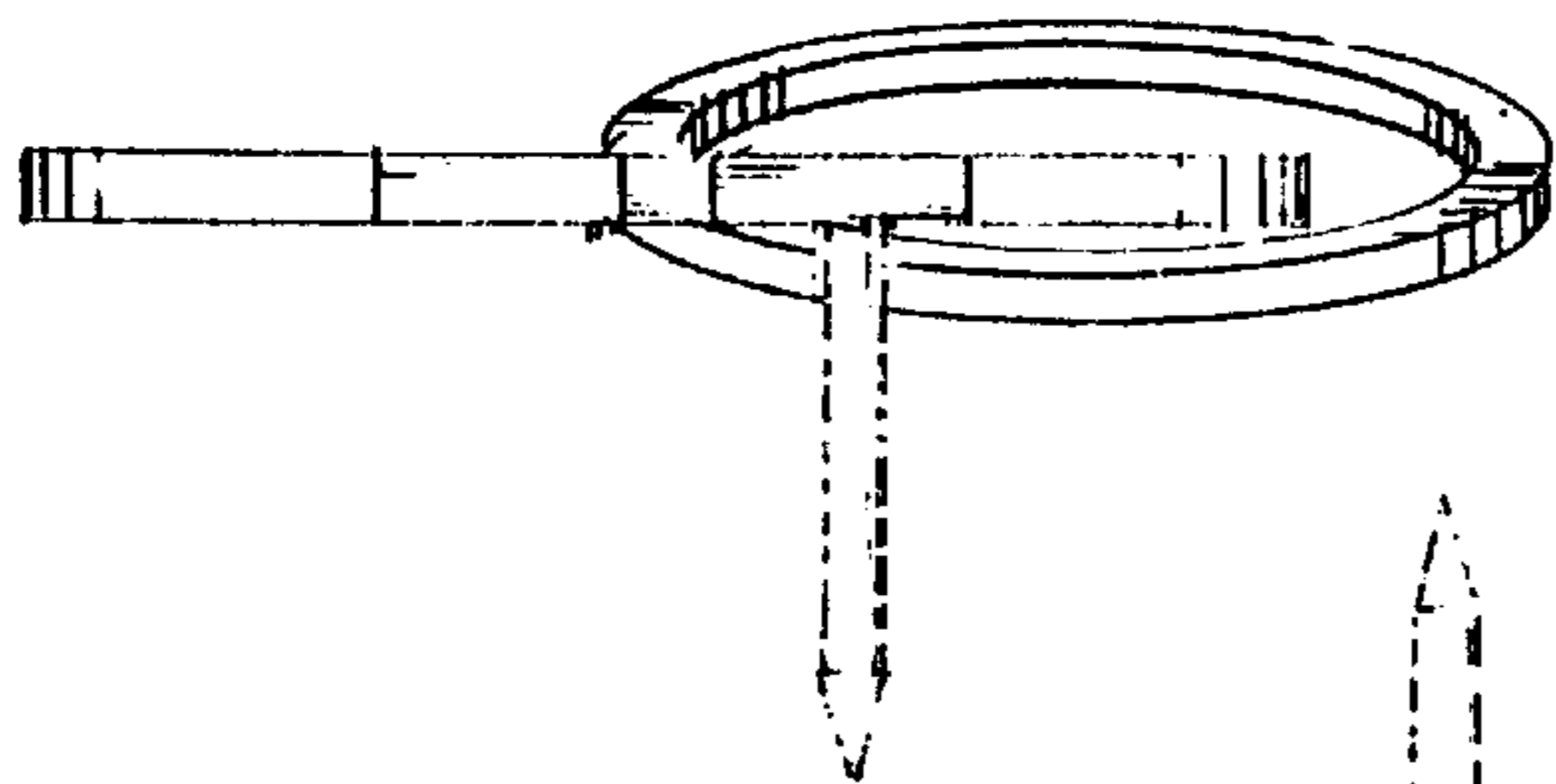
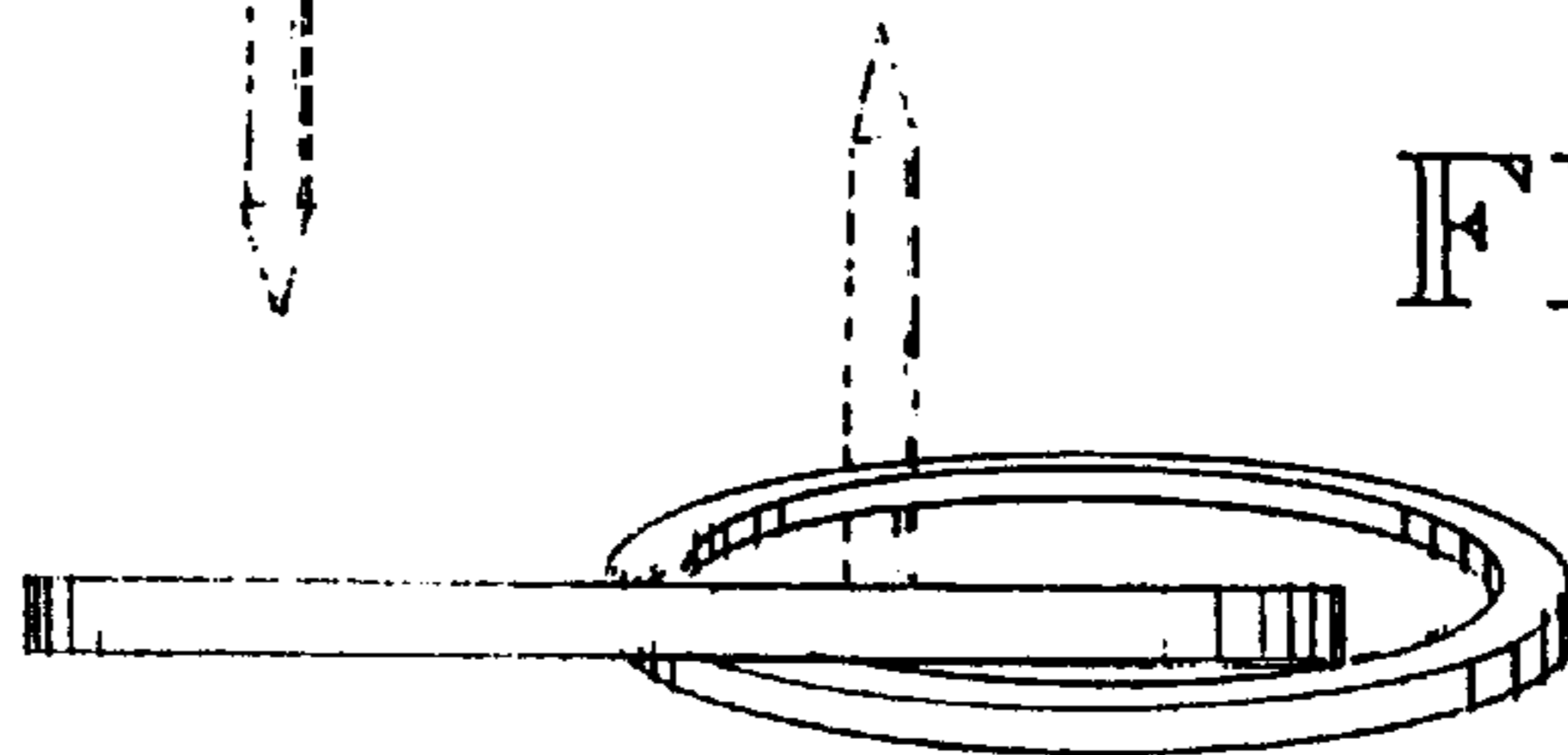


FIG. 7



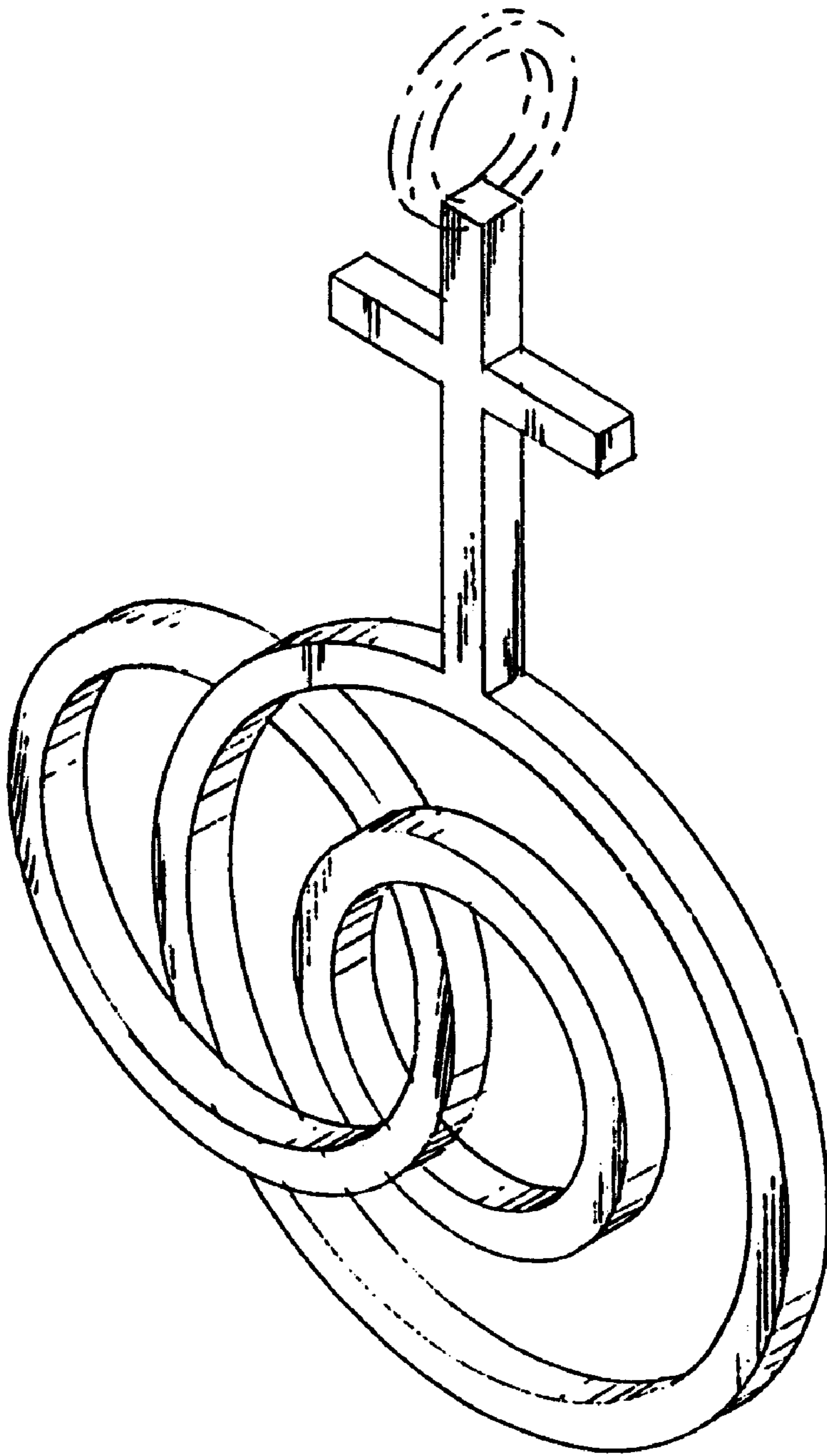


FIG. 8

UNITED STATES PATENT AND TRADEMARK OFFICE
CERTIFICATE OF CORRECTION

PATENT : Des. 411,965

Page 1 of 5

DATED : July 13, 1999

INVENTOR(S) : H. Lloyd Ruegg

It is certified that error appears in the above-identified patent and that said Letters Patent is hereby corrected as shown below:

The title page, showing the illustrative figure should be deleted to be replaced with the attached title page.

In the drawings, sheets 1-3 consisting of figures 1-8, should be deleted to be replaced with the corrected sheets 1-3, consisting of figures 1-8, as shown on the attached pages.

Signed and Sealed this
Thirtieth Day of November, 1999

Attest:



Q. TODD DICKINSON

Attesting Officer

Acting Commissioner of Patents and Trademarks

United States Patent [19]
Ruegg, Sr.

[11] **Patent Number: Des. 411,965**
 [45] **Date of Patent: ** Jul. 13, 1999**

[54] **ARTICLE OF JEWELRY**

[76] **Inventor: H. Lloyd Ruegg, Sr., 212 Heuhstein Rd., Port Angeles, Wash. 98362**

[**] **Term: 14 Years**

[21] **Appl. No.: 29/086,152**

[22] **Filed: Apr. 7, 1998**

Related U.S. Application Data

- [51] **LOC (6) Cl. 11-01**
- [52] **U.S. Cl. D11/40; D11/44; D11/43; D11/79**
- [58] **Field of Search D11/40, 52, 59-68, D11/74-79, 3; 63/1.11, 12-13, 18-19, 21, 26-28, 38, 14.1-14.2, 3, 4, 96**

[56] **References Cited**

U.S. PATENT DOCUMENTS

D. 114,212	4/1939	Graeter	D11/48
D. 132,455	5/1942	Nathan	D11/77
D. 150,787	7/1948	Katz	D11/77
D. 166,975	6/1952	Katz	D11/77
D. 169,458	4/1953	Sememsohn	D11/77
D. 175,619	9/1955	Katz	D11/77
D. 176,525	1/1956	Katz	D11/79
D. 186,460	10/1959	Kunzmann	D11/79

D. 283,807	5/1986	Dobbins	D11/79
D. 334,725	4/1993	White	D11/96
D. 342,917	1/1994	Arman	D11/48
D. 383,698	9/1997	Fletcher	D11/40
1,732,250	10/1929	Wehse	63-14.2
4,939,913	7/1990	Scungio et al.	63:21

Primary Examiner—Cathy Anne MacCormac
Attorney, Agent, or Firm—Kathleen T. Petrich

[57] **CLAIM**

The ornamental design for an article of jewelry, as shown and described.

DESCRIPTION

FIG. 1 is a perspective view of an article of jewelry showing my new design;
 FIG. 2 is a front view thereof;
 FIG. 3 is a right side elevational view thereof;
 FIG. 4 is a rear view thereof;
 FIG. 5 is a left side elevational view thereof;
 FIG. 6 is a top plan view rotated 180 degrees thereof;
 FIG. 7 is a bottom plan view thereof; and,
 FIG. 8 is a perspective view of a second embodiment of FIG. 1.
 The broken lines in FIGS. 1 and 8 are for purposes of illustration only and form no part of the claimed design.

1 Claim, 3 Drawing Sheets

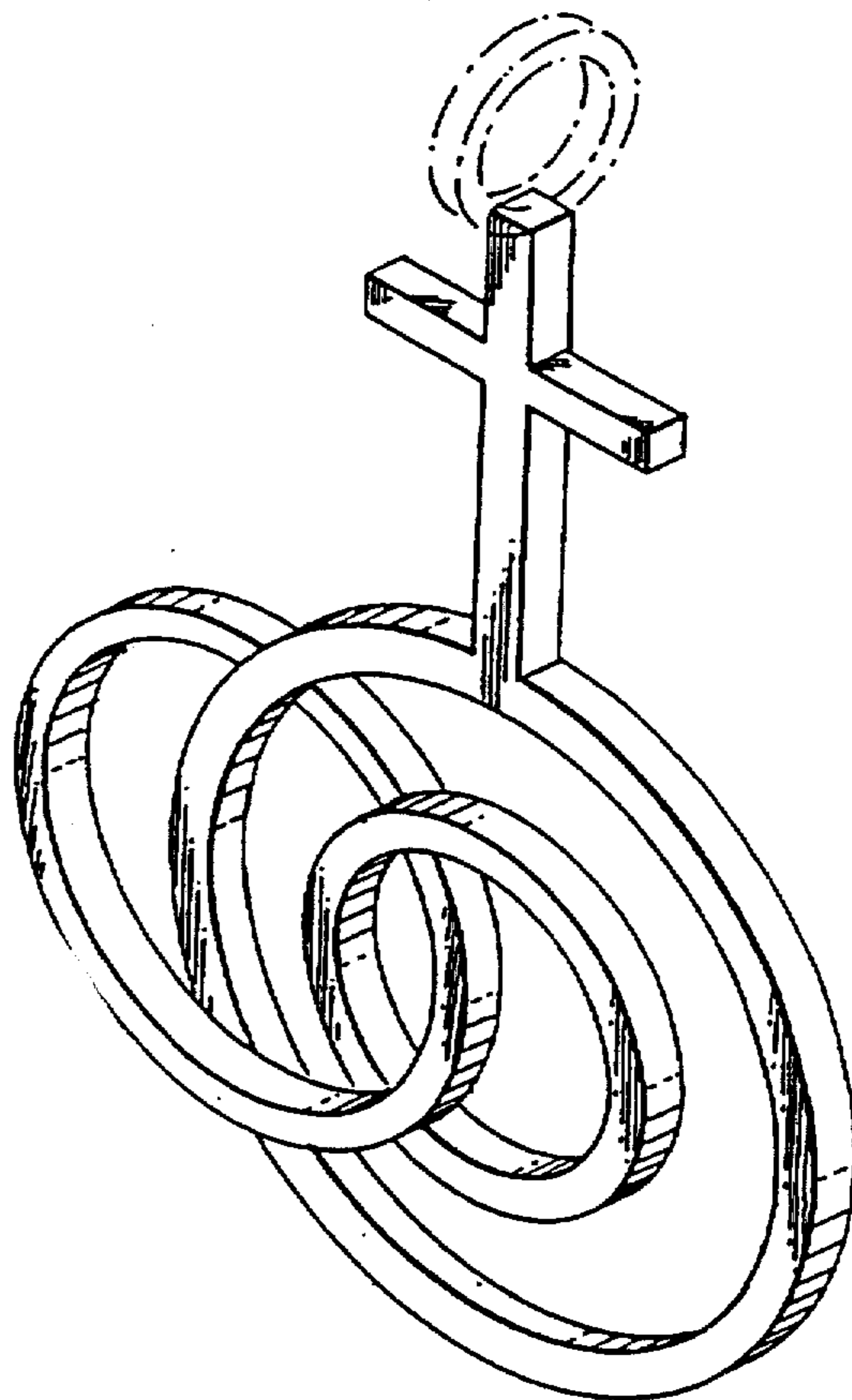
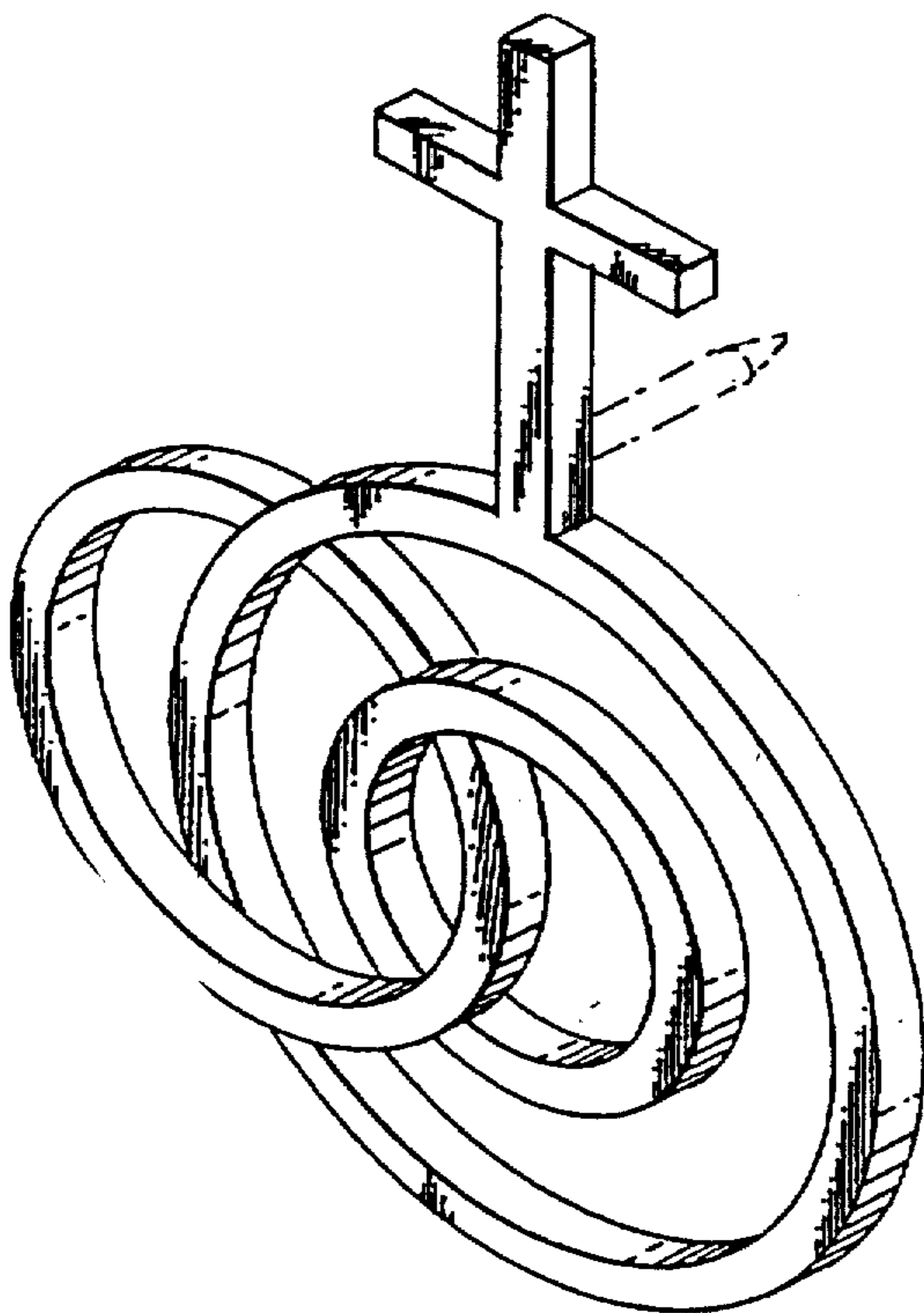


FIG. 1

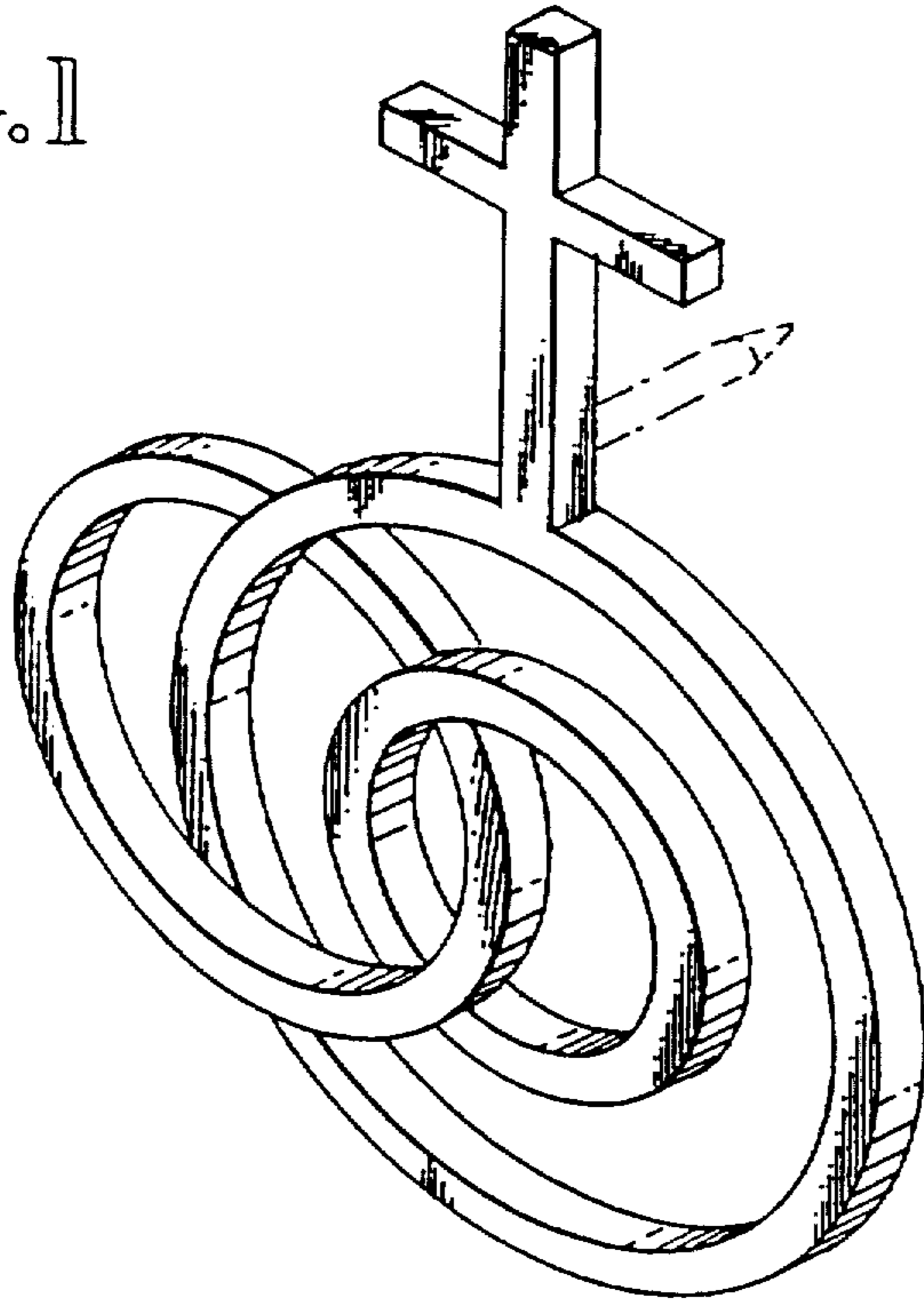


FIG. 2

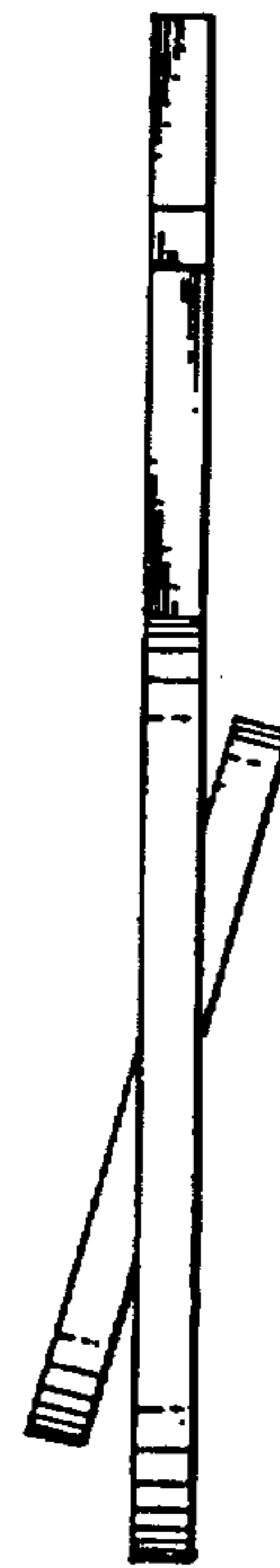
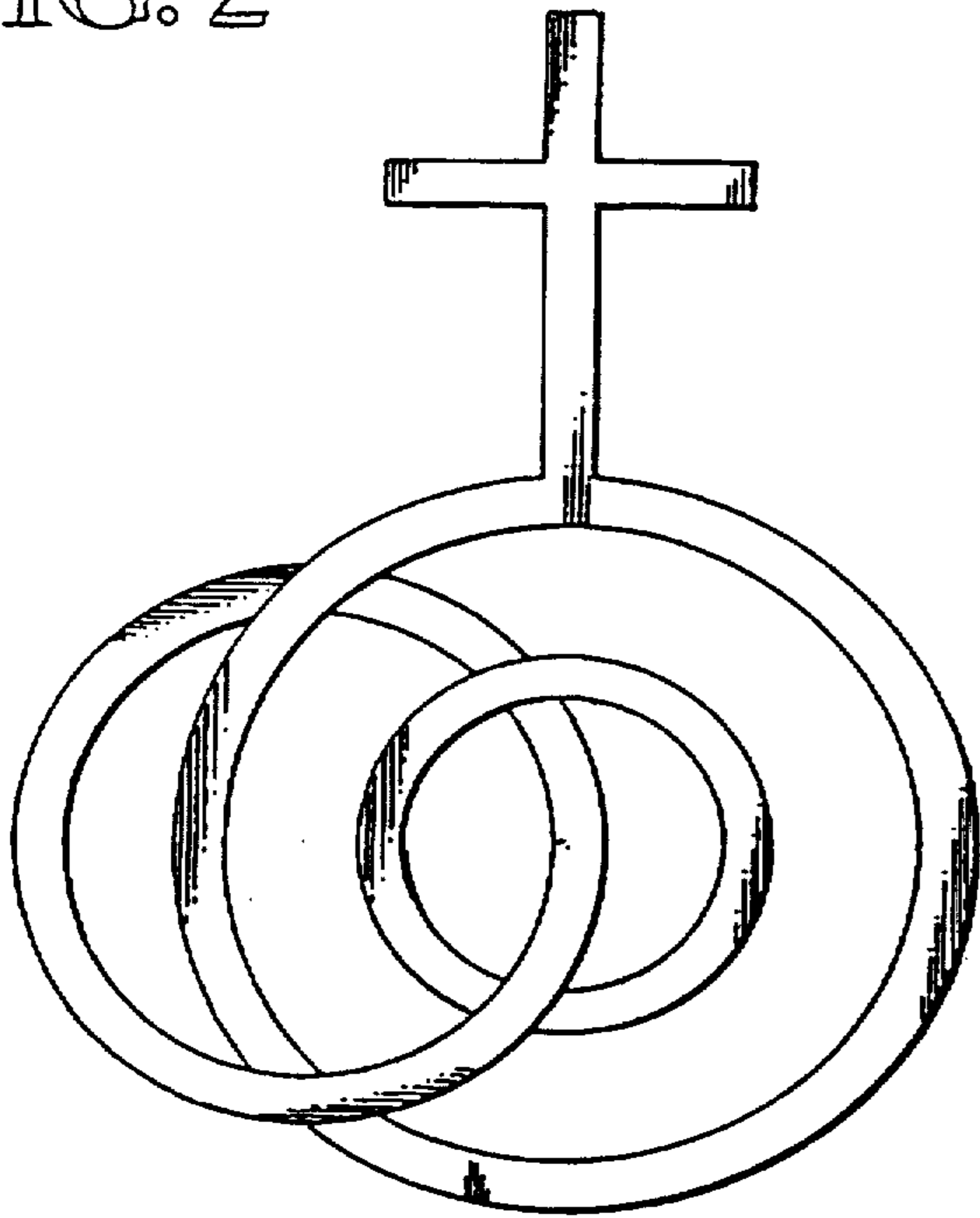


FIG. 3

FIG. 4

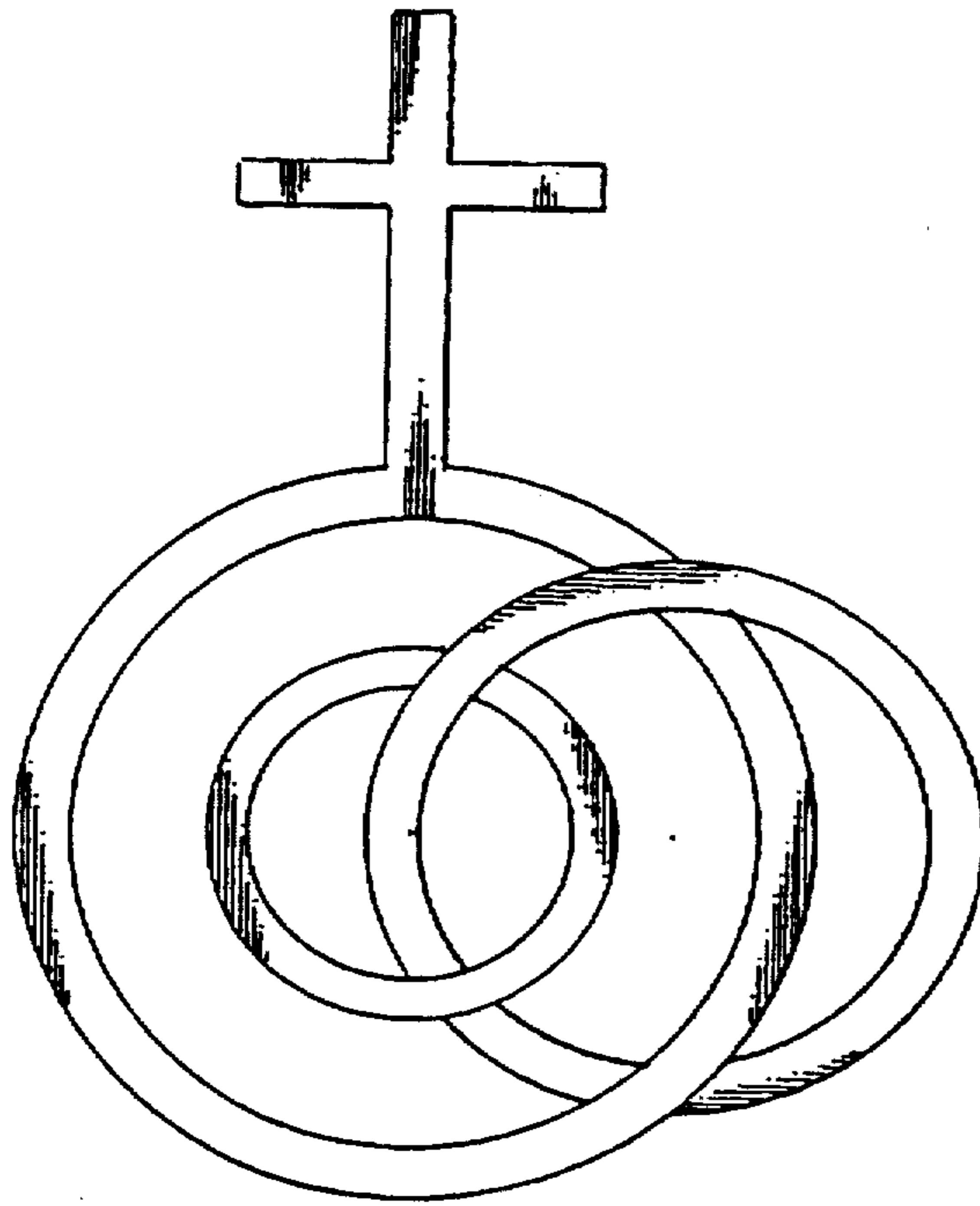


FIG. 5

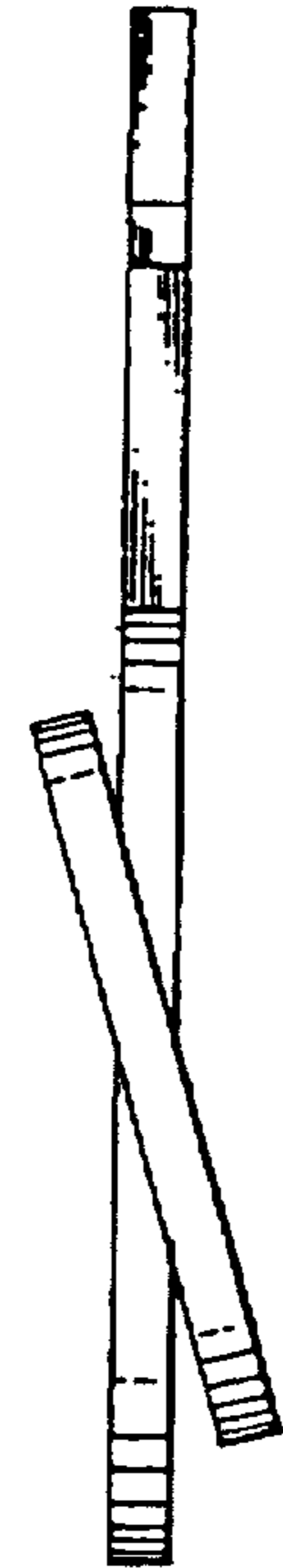


FIG. 6

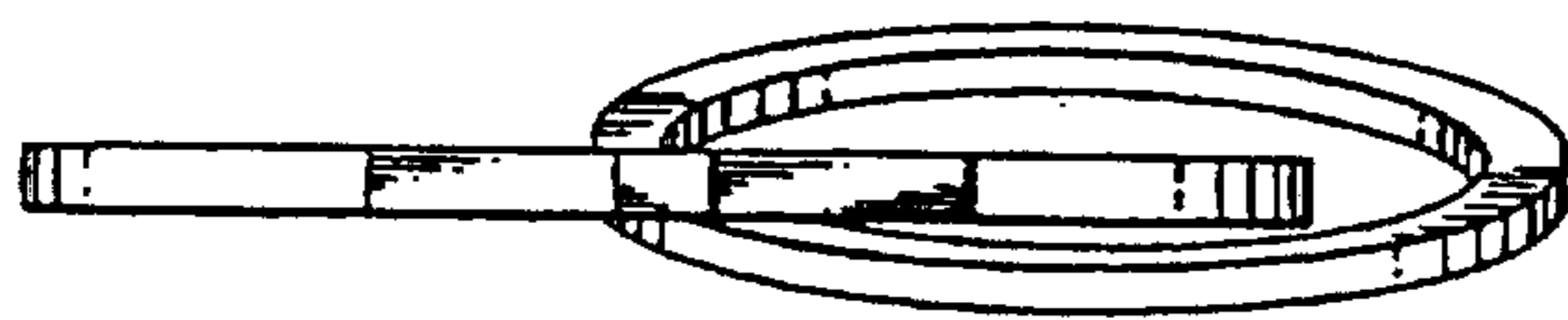
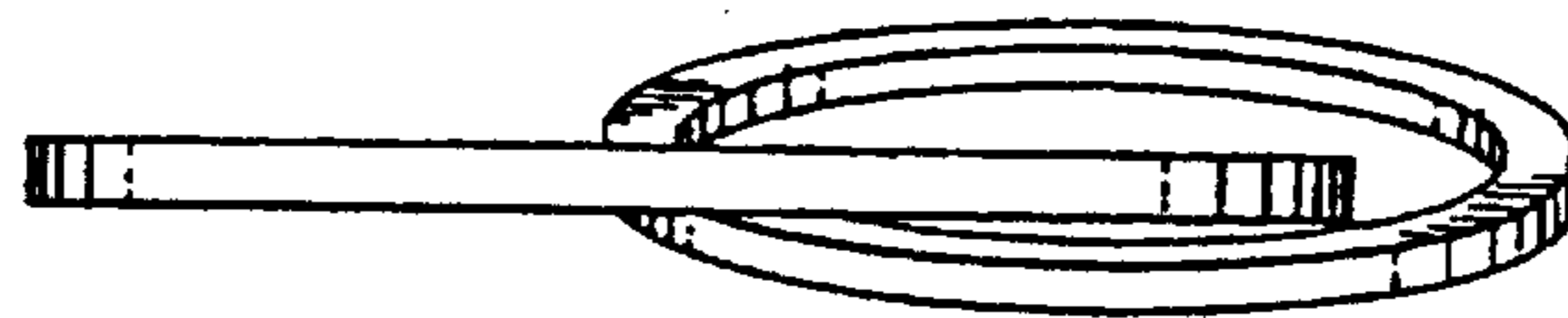


FIG. 7



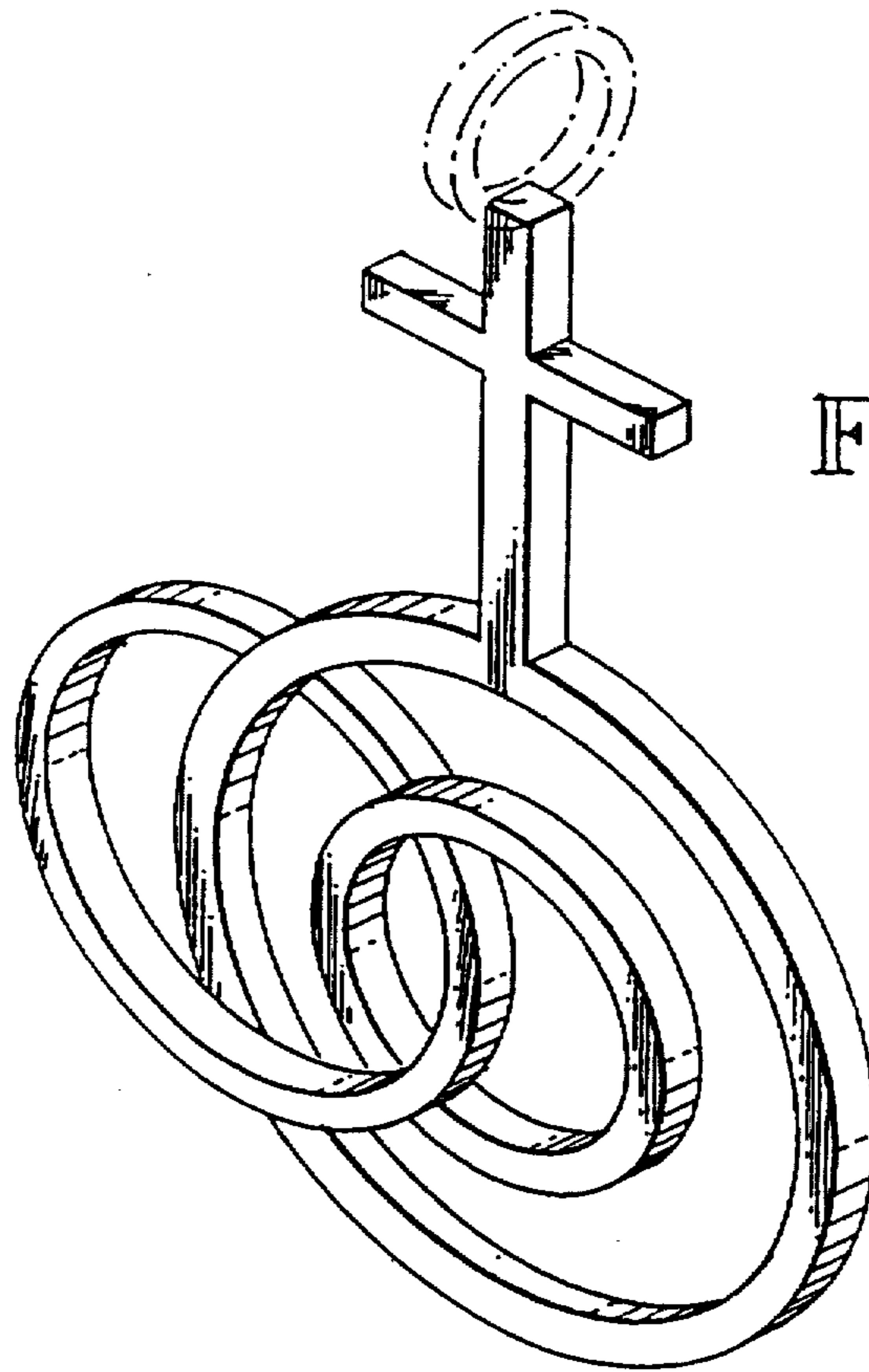


FIG. 8