



US00D411963S

United States Patent [19]

Whitley

[11] **Patent Number: Des. 411,963**

[45] **Date of Patent: ** Jul. 13, 1999**

[54] **WHEEL NUT SAFETY INDICATOR**

[76] Inventor: **Maynard Whitley**, 18 Chester Sreet, Oakville, Ontario, Canada, L6H 6G8

[**] Term: **14 Years**

[21] Appl. No.: **29/075,151**

[22] Filed: **Aug. 18, 1997**

[51] **LOC (6) Cl.** **10-04**

[52] **U.S. Cl.** **D10/122; D10/103**

[58] **Field of Search** **D10/103, 122, D10/83, 127; 411/8-14; 116/283**

[56] **References Cited**

U.S. PATENT DOCUMENTS

D. 310,790 9/1990 Reilly D10/103

Primary Examiner—Nelson C. Holtje
Attorney, Agent, or Firm—Bereskin & Parr

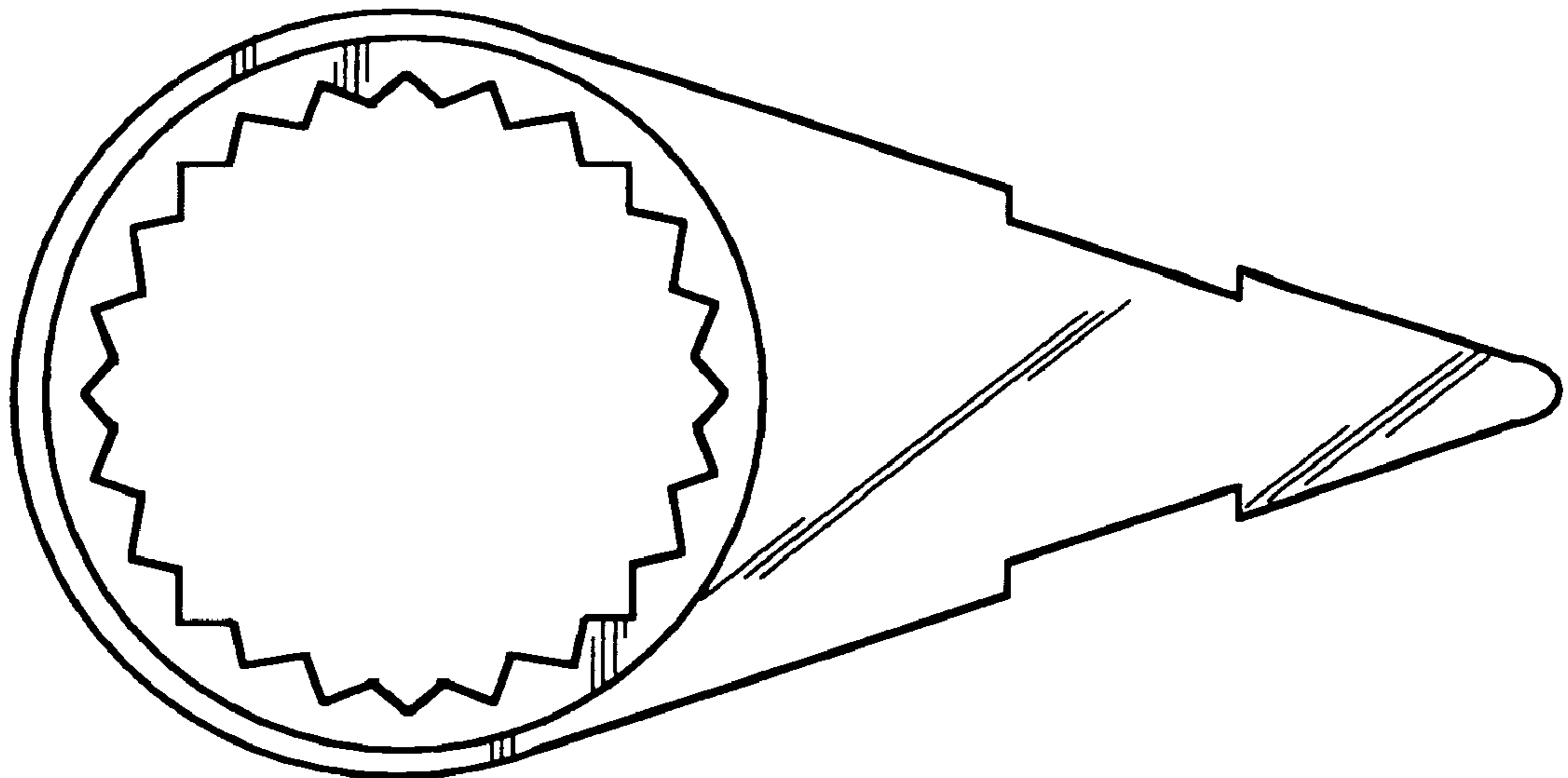
[57] **CLAIM**

The ornamental design for a wheel nut safety indicator, as shown and described.

DESCRIPTION

FIG. 1 is a perspective view of the wheel safety indicator; FIG. 2 is a bottom plan view; FIG. 3 is a front end elevation; FIG. 4 is a rear end elevation, taken opposite FIG. 3; and, FIG. 5 is a side elevation, the opposite side being a mirror image thereof.

1 Claim, 1 Drawing Sheet



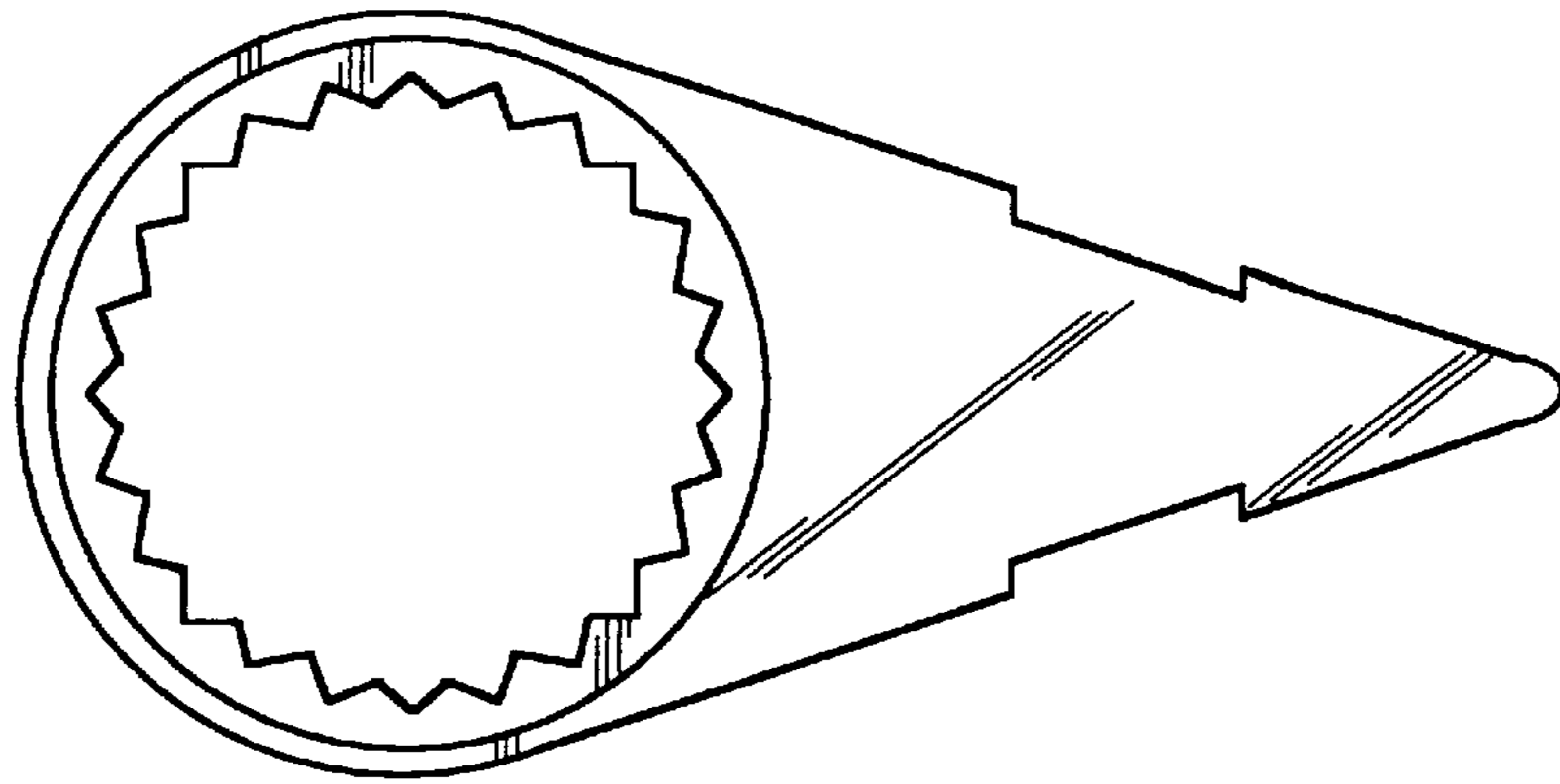


Fig. 1

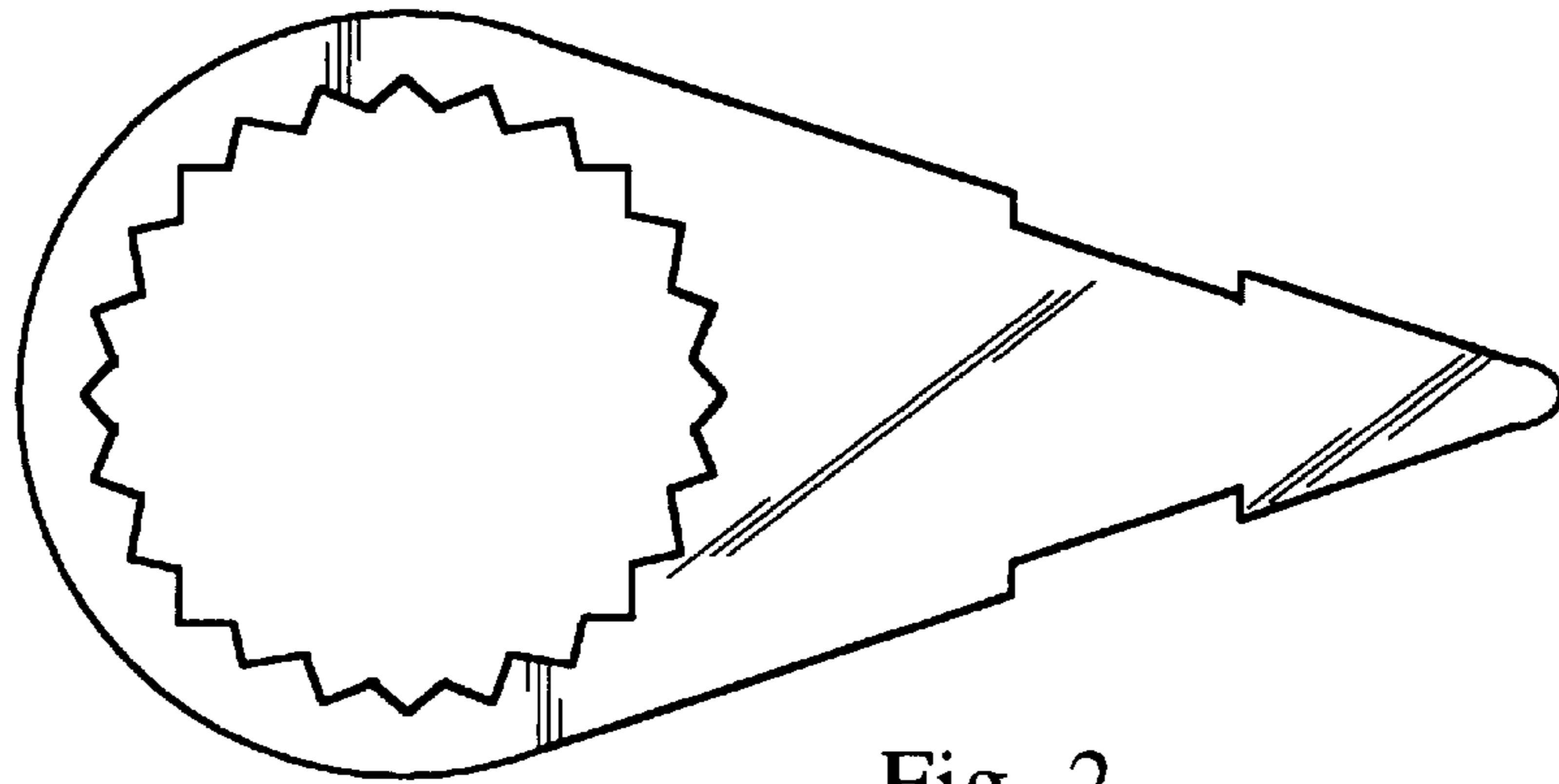


Fig. 2



Fig. 3



Fig. 4



Fig. 5