



US00D411958S

United States Patent [19] Hui

[11] **Patent Number: Des. 411,958**
[45] **Date of Patent: ** Jul. 13, 1999**

[54] **COMBINED THERMOMETER AND HOLDER**

5,074,516 12/1991 Lewis et al. 374/194 X

[75] Inventor: **Chi Ming Hui**, Tsuen Wan, The Hong Kong Special Administrative Region of the People's Republic of China

Primary Examiner—Antoine Duval Davis
Attorney, Agent, or Firm—Salter & Michaelson

[73] Assignee: **Chi Bon Metal and Plastic Manufactory Limited**, Tsuen Wan, The Hong Kong Special Administrative Region of the People's Republic of China

[57] CLAIM

The ornamental design for a combined thermometer and holder, as shown.

[**] Term: **14 Years**

DESCRIPTION

[21] Appl. No.: **29/091,012**

FIG. 1 is a perspective view of a combined thermometer and holder showing my new design;

[22] Filed: **Jul. 21, 1998**

FIG. 2 is a front elevational view thereof;

[51] **LOC (6) Cl.** **10-04**

[52] **U.S. Cl.** **D10/58; D10/59**

FIG. 3 is a rear elevational view thereof.

[58] **Field of Search** D10/58, 59; 374/190, 374/191, 192, 193, 194; 73/170.05, 170.07

FIG. 4 is a left side elevational view thereof;

FIG. 5 is a right side elevational view thereof;

FIG. 6 is a top plan view thereof; and,

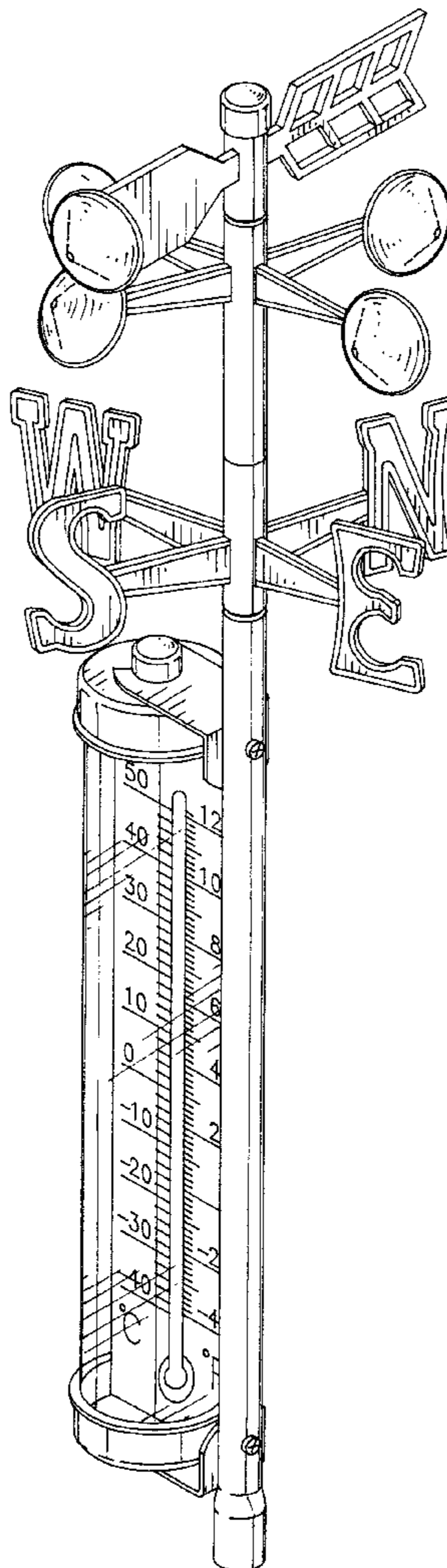
FIG. 7 is a bottom plan view thereof.

[56] References Cited

U.S. PATENT DOCUMENTS

D. 377,610 1/1997 Liang D10/58

1 Claim, 6 Drawing Sheets



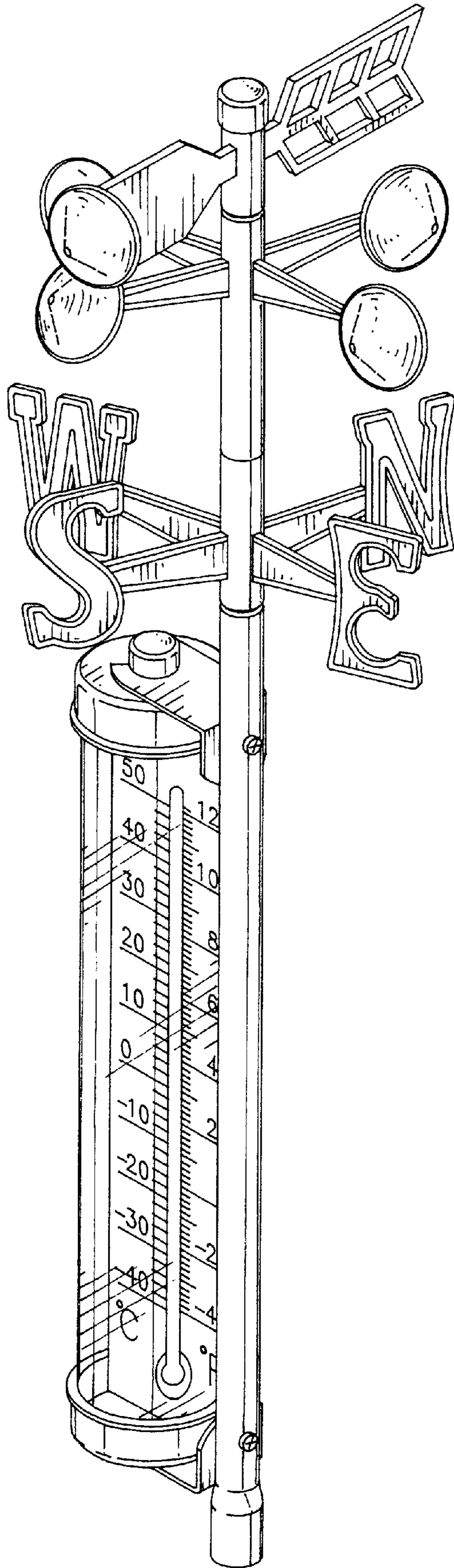


FIG. 1

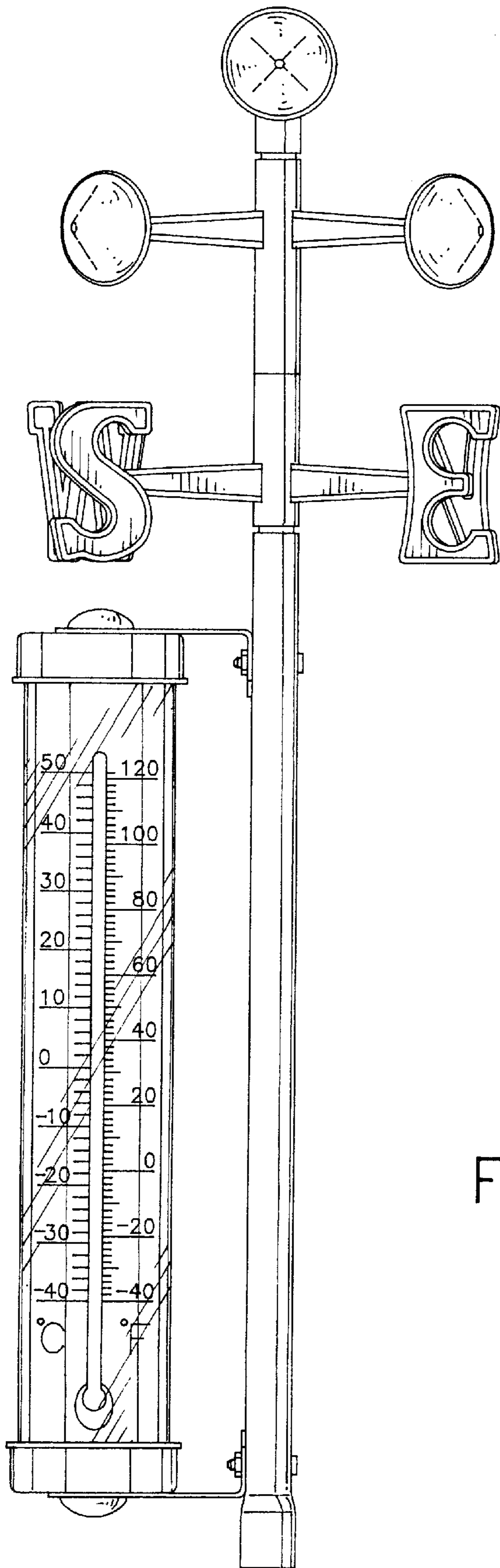


FIG. 2

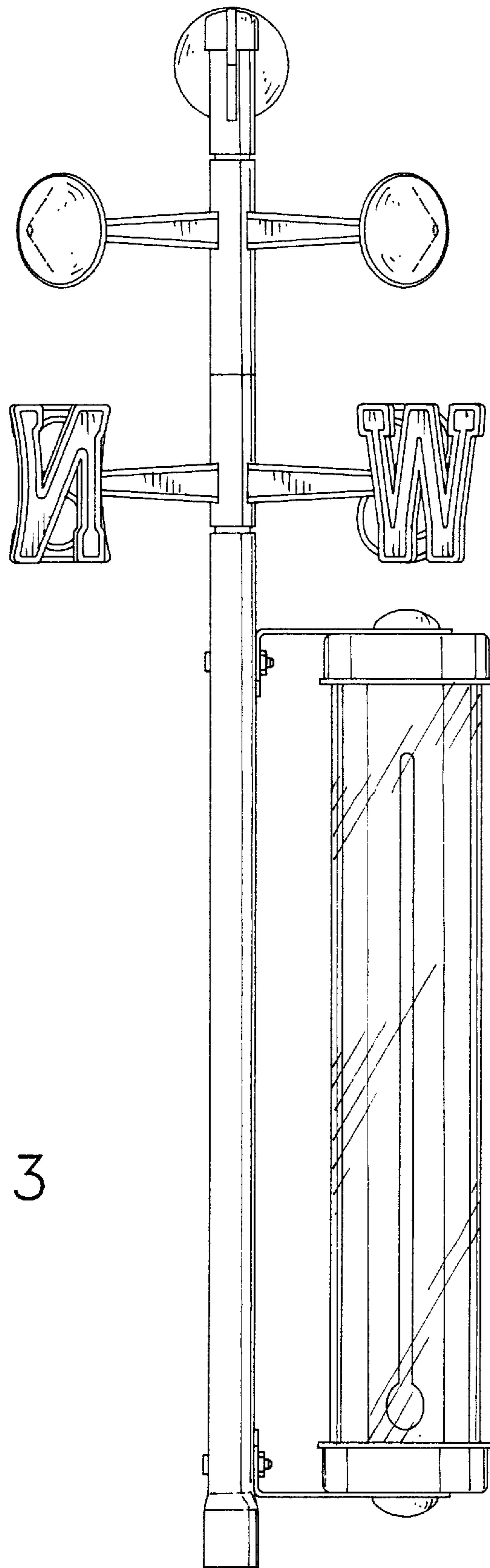


FIG. 3

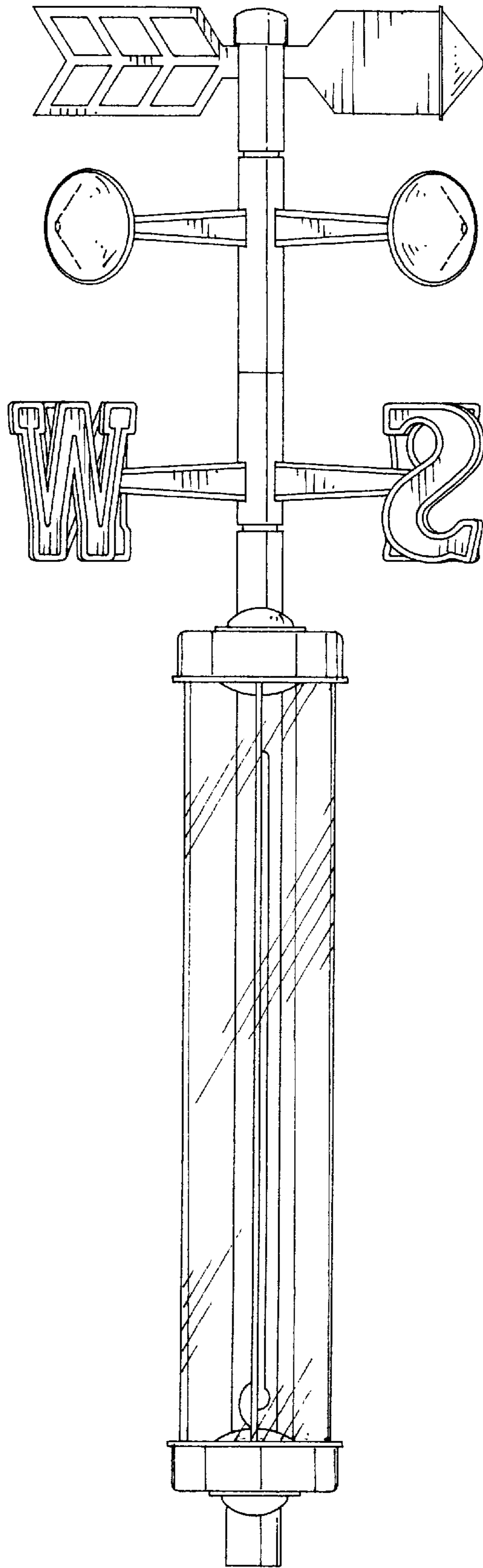


FIG. 4

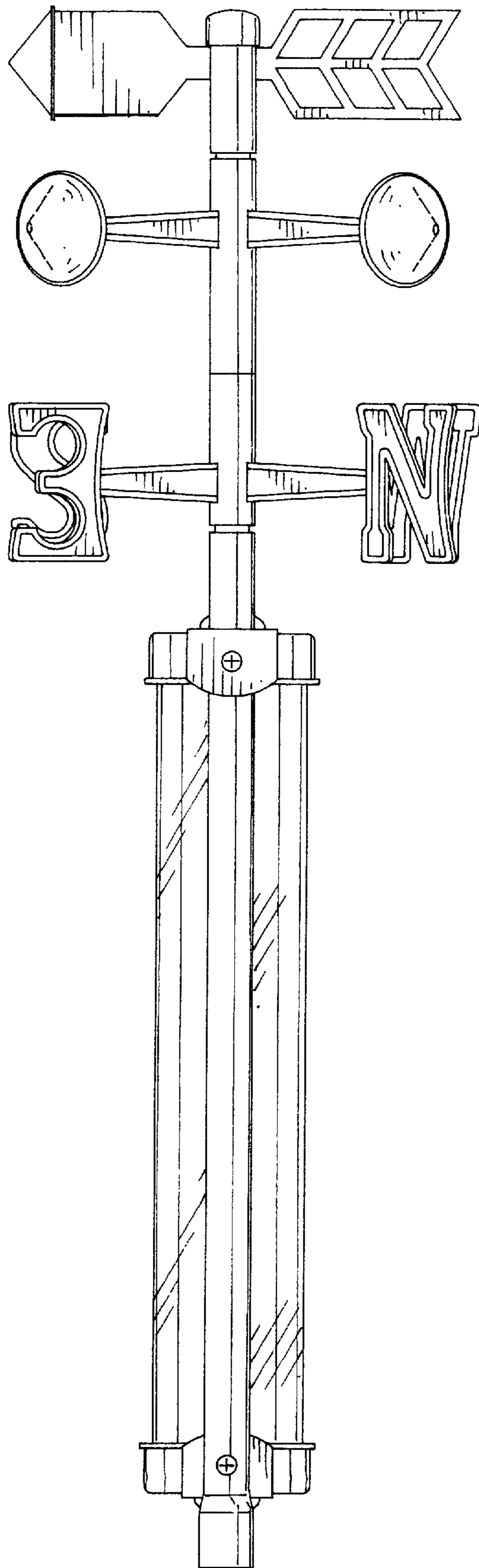


FIG. 5

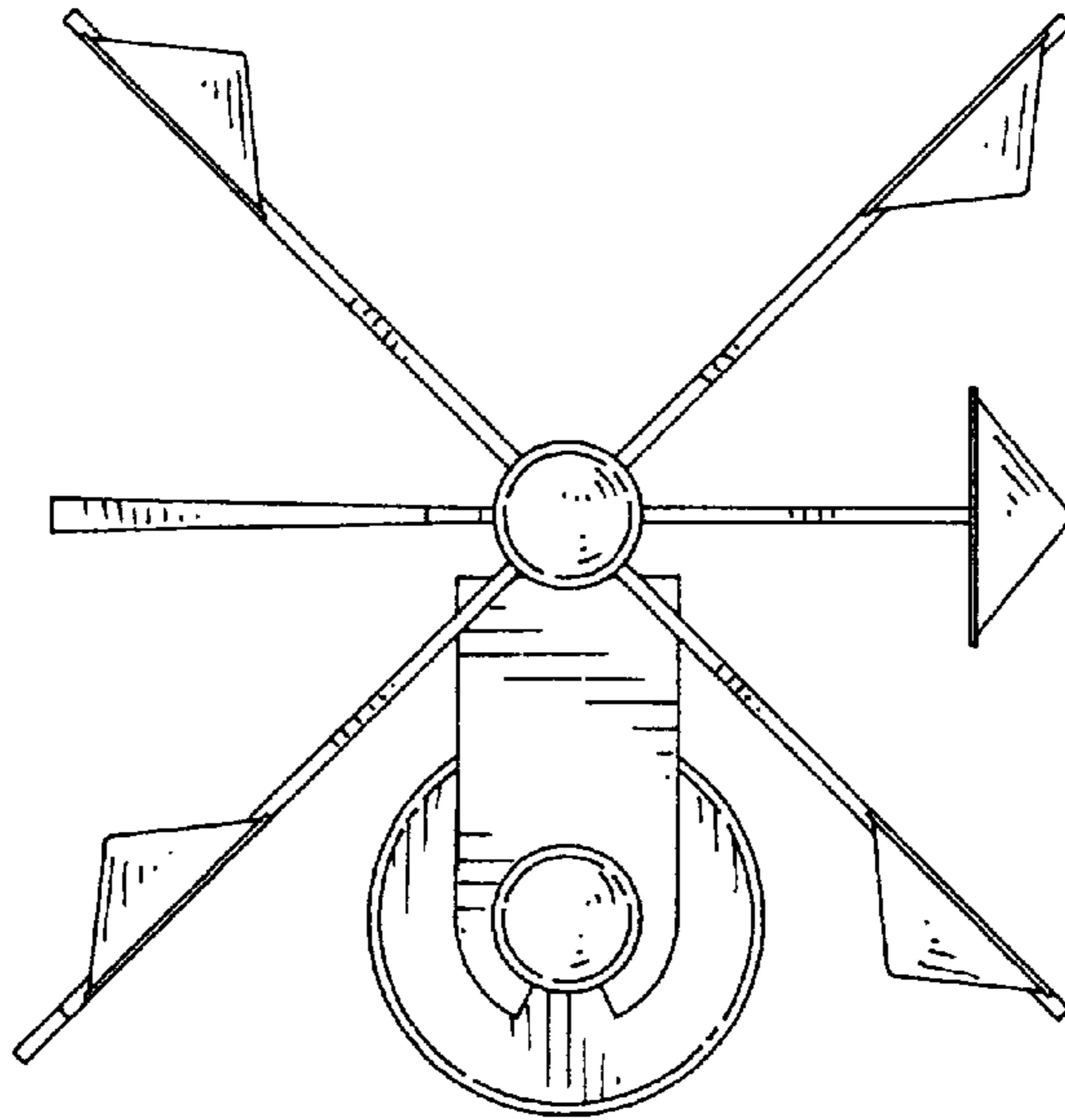


FIG. 6

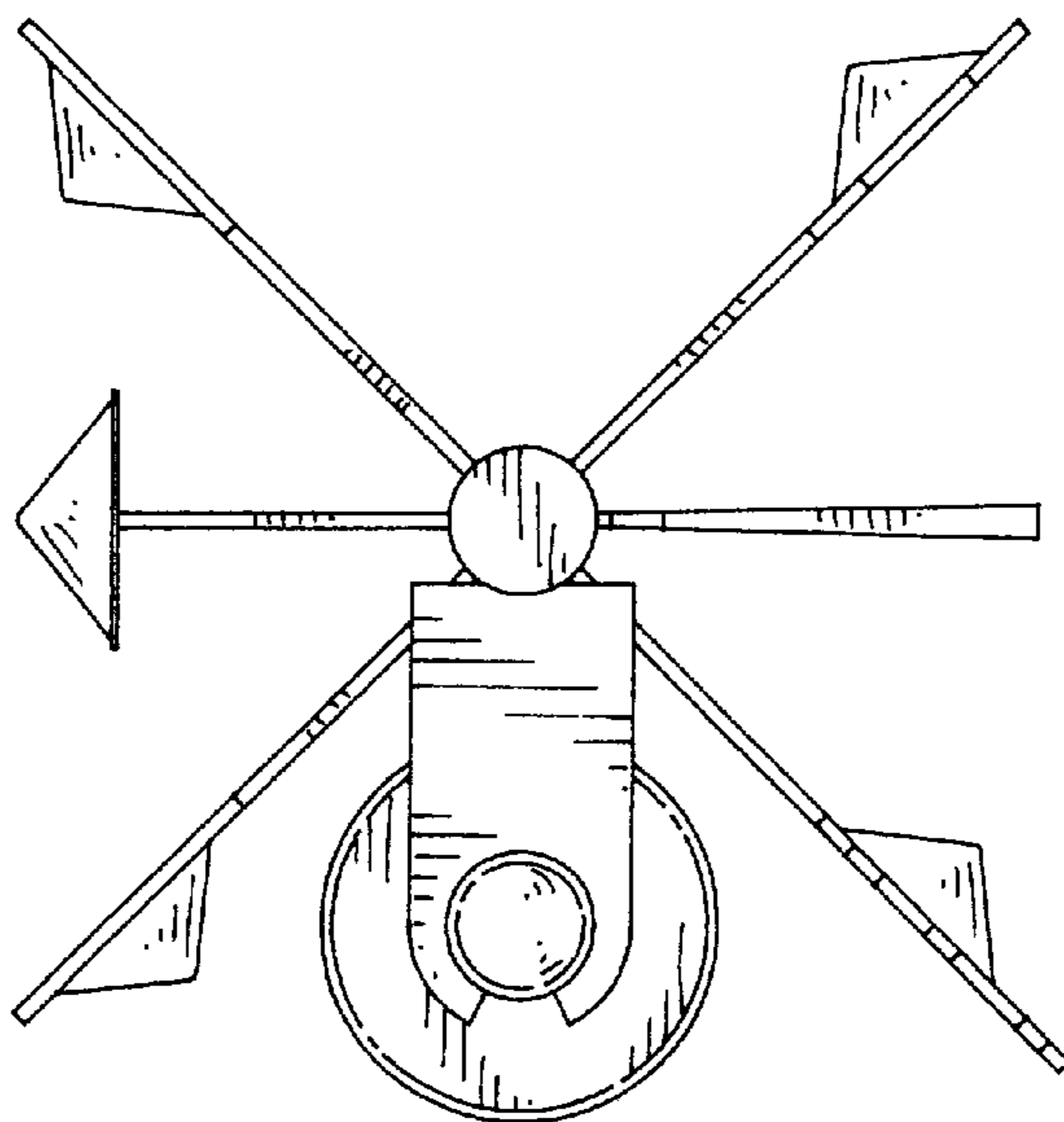


FIG. 7