



US00D411957S

United States Patent [19]
Ramos

[11] **Patent Number: Des. 411,957**
[45] **Date of Patent: ** Jul. 13, 1999**

[54] **WATCH CASING AND BEZEL**

D. 397,300 8/1998 Chen D10/30
D. 402,210 12/1998 Sang D10/30

[75] Inventor: **Galileo P. Ramos**, Lapu-Lapu,
Philippines

OTHER PUBLICATIONS

Swiss Watch & Jewelry Journal—Jan. 1983—Pp.6–7.

[73] Assignee: **Timex Corporation**, Middlebury, Conn.

Primary Examiner—Nelson C. Holtje
Attorney, Agent, or Firm—Arthur G. Schaier

[**] Term: **14 Years**

[21] Appl. No.: **29/095,383**

[57] **CLAIM**

[22] Filed: **Oct. 22, 1998**

The ornamental design for a “watch casing and bezel” , as shown and described.

Related U.S. Application Data

DESCRIPTION

[51] **LOC (6) Cl.** **10-02**
[52] **U.S. Cl.** **D10/30; D10/38**
[58] **Field of Search** D10/1–40, 122–132;
368/280–282, 276–277, 28–30, 285, 239–242,
82–84, 41–44

FIG. 1 is a perspective view of a watch casing and bezel showing my new design;
FIG. 2 is a left side elevational view thereof;
FIG. 3 is a top plan view thereof;
FIG. 4 is a right side elevational view thereof;
FIG. 5 is a front elevational view thereof;
FIG. 6 is a rear elevational view thereof; and,
FIG. 7 is a bottom plan view.

[56] **References Cited**

U.S. PATENT DOCUMENTS

D. 378,666 4/1997 Kojima D10/38
D. 396,194 7/1998 Bruce D10/31

1 Claim, 2 Drawing Sheets

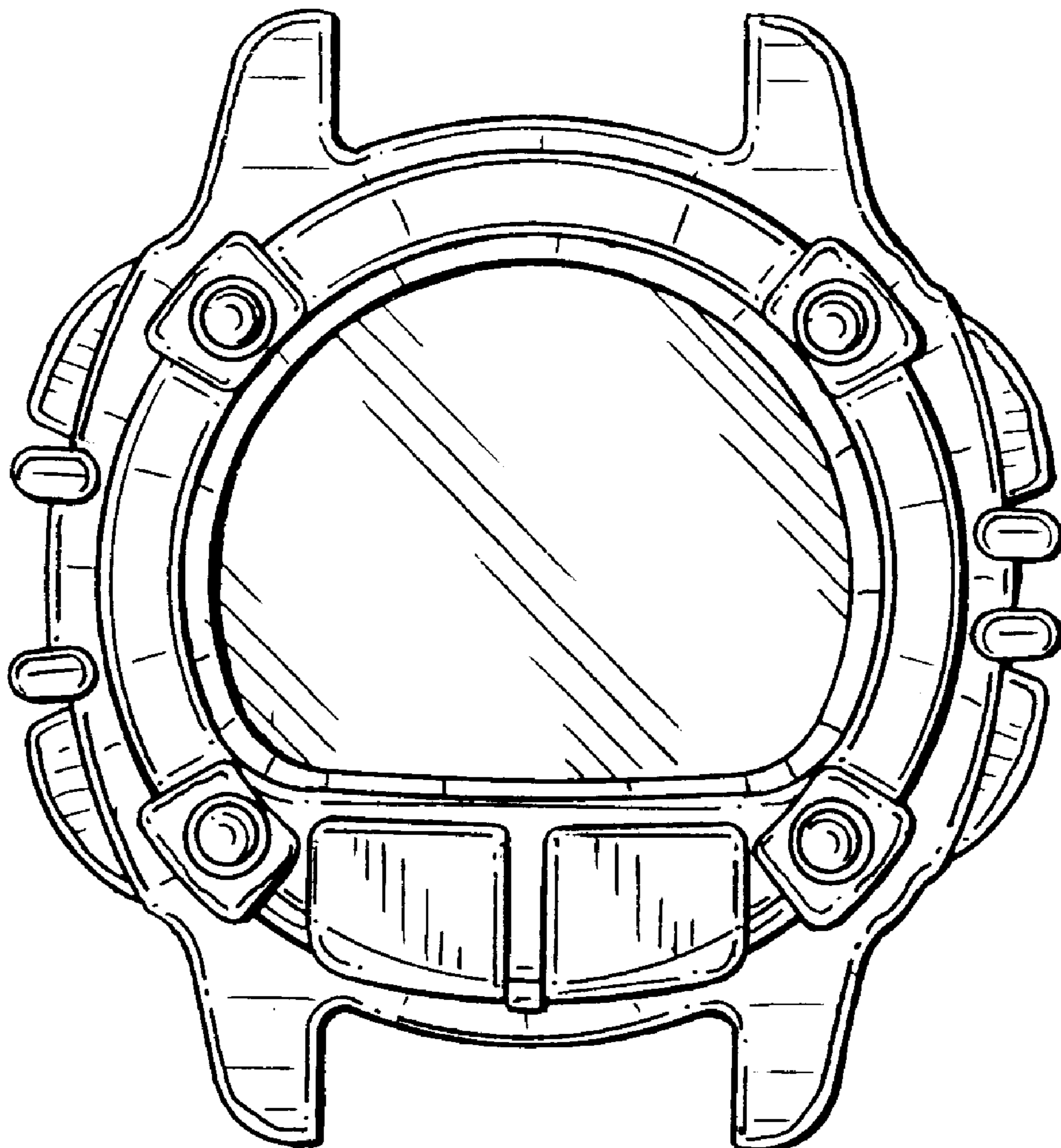


FIG. 1

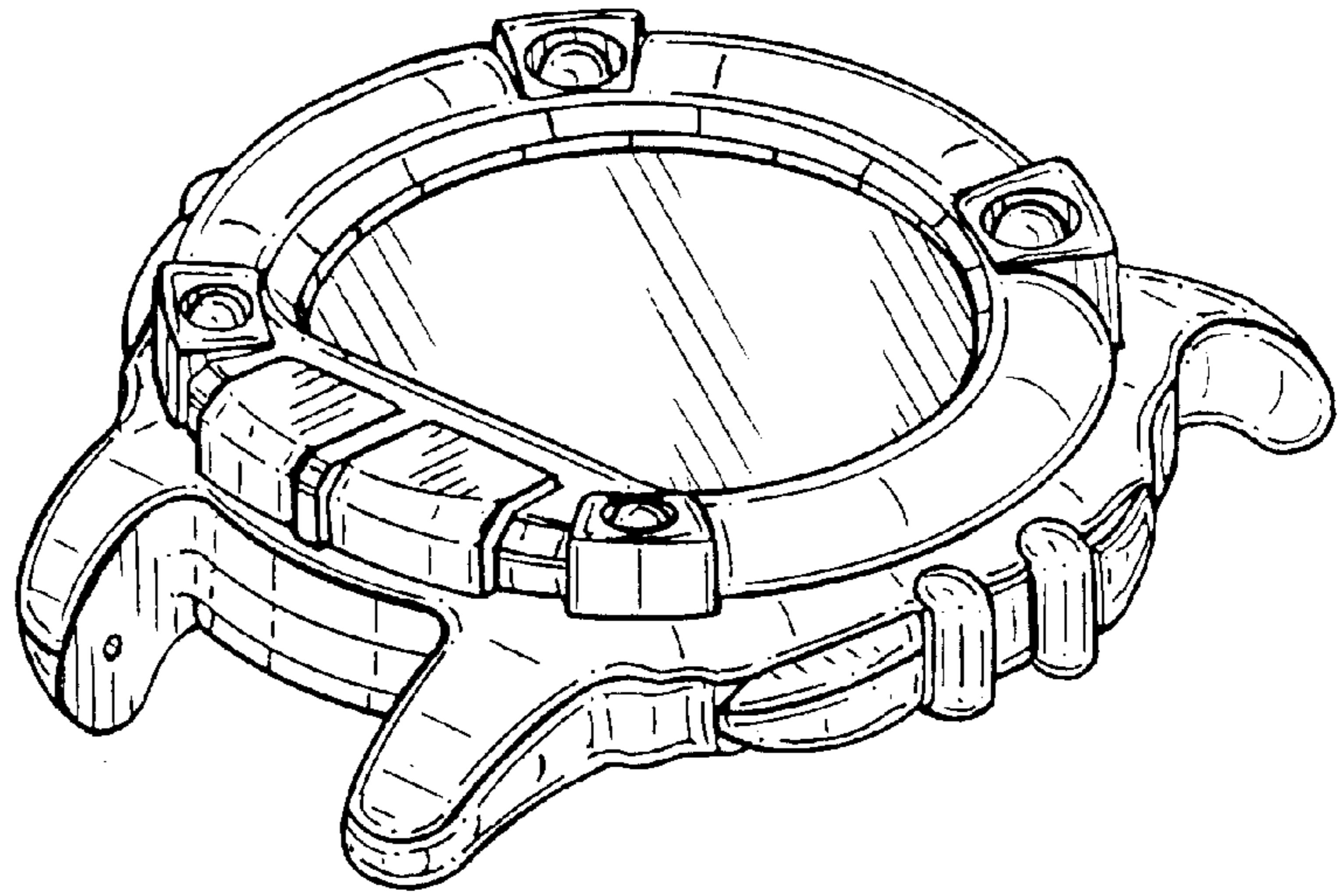


FIG. 7

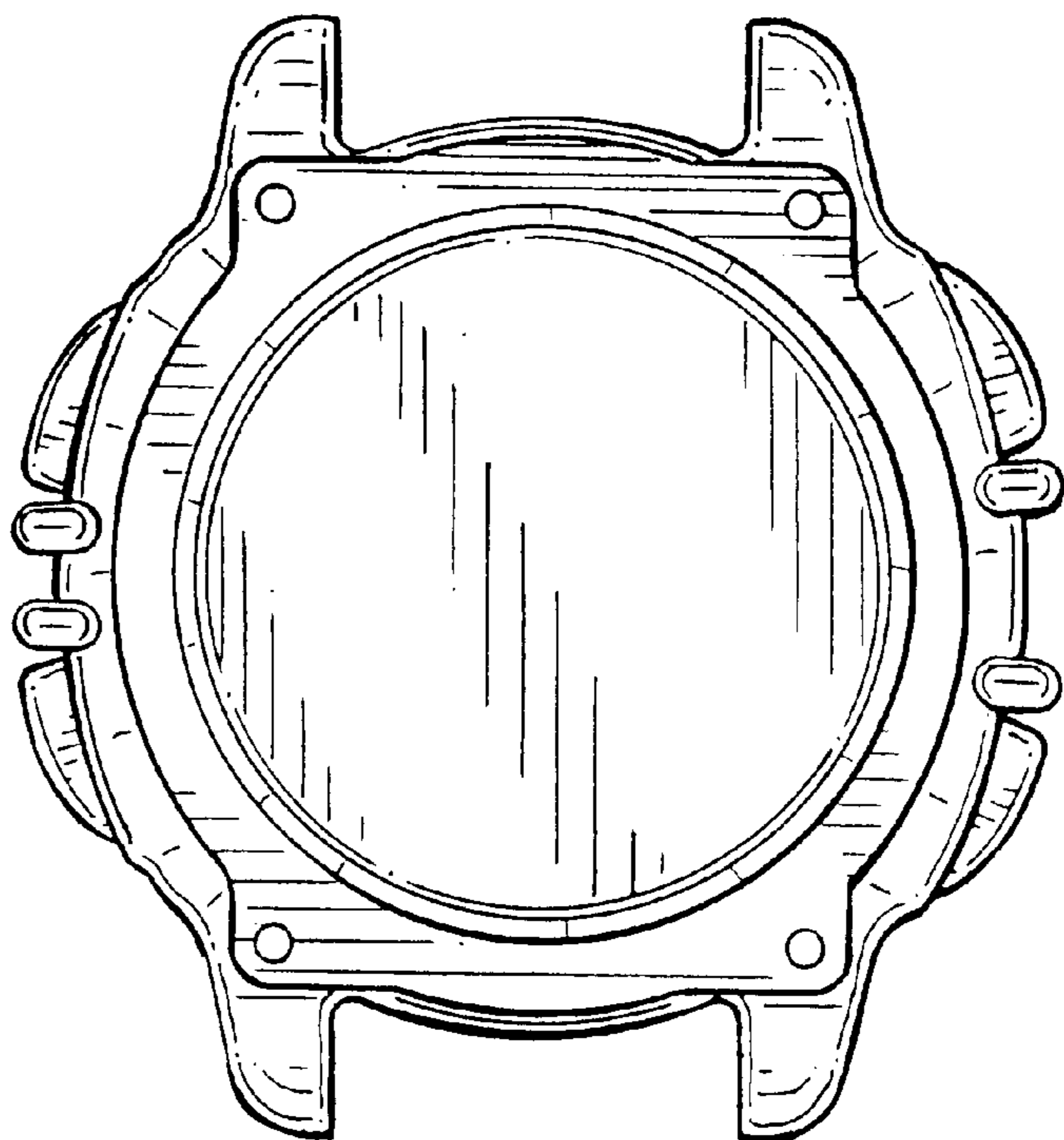


FIG. 2

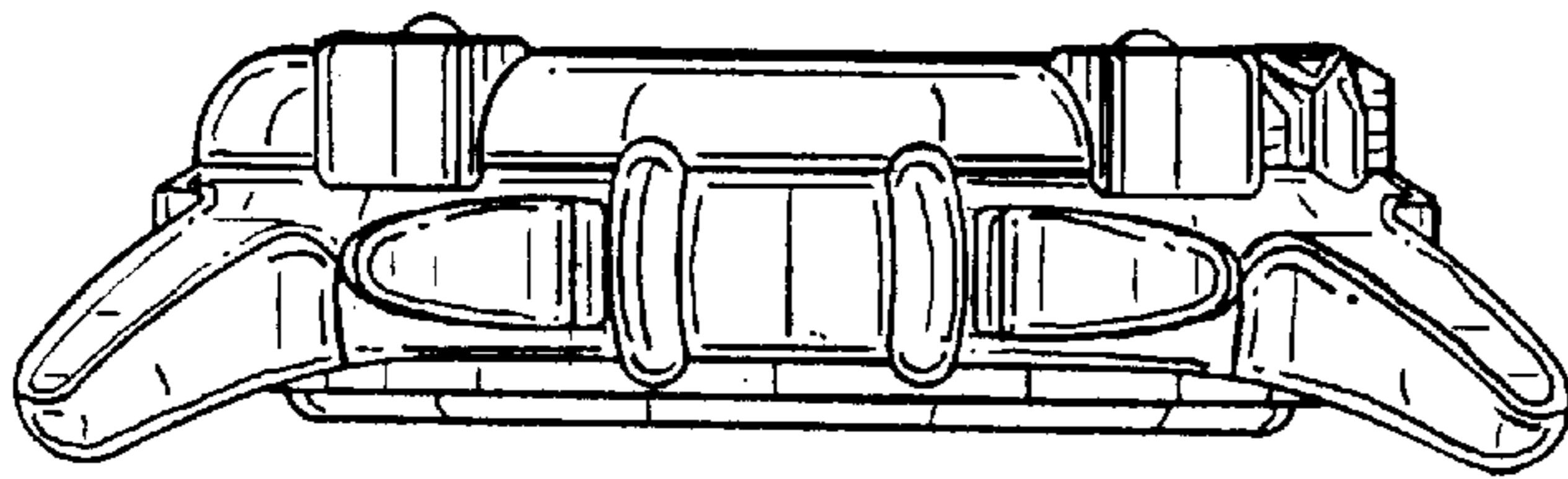


FIG. 3

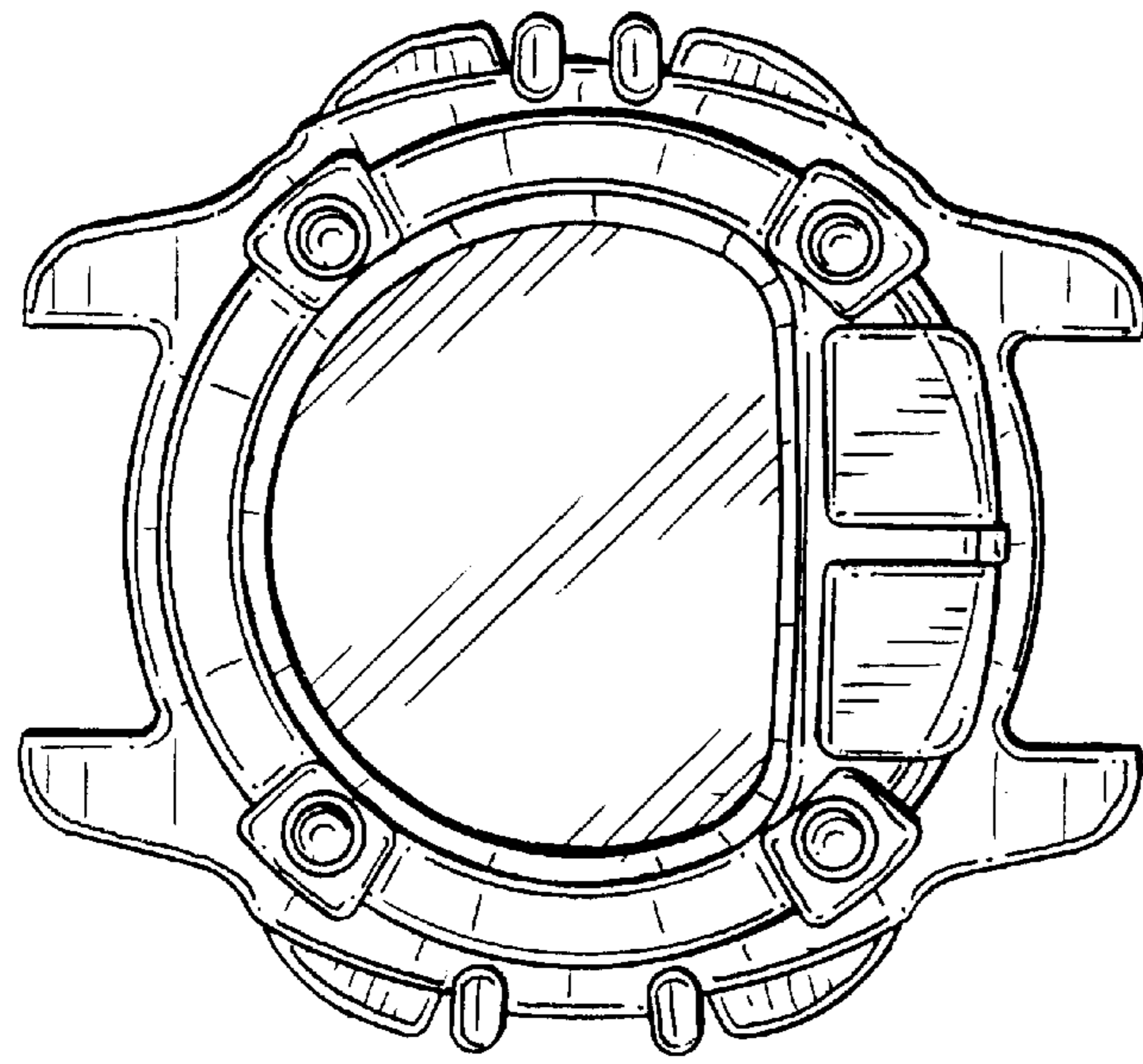


FIG. 4

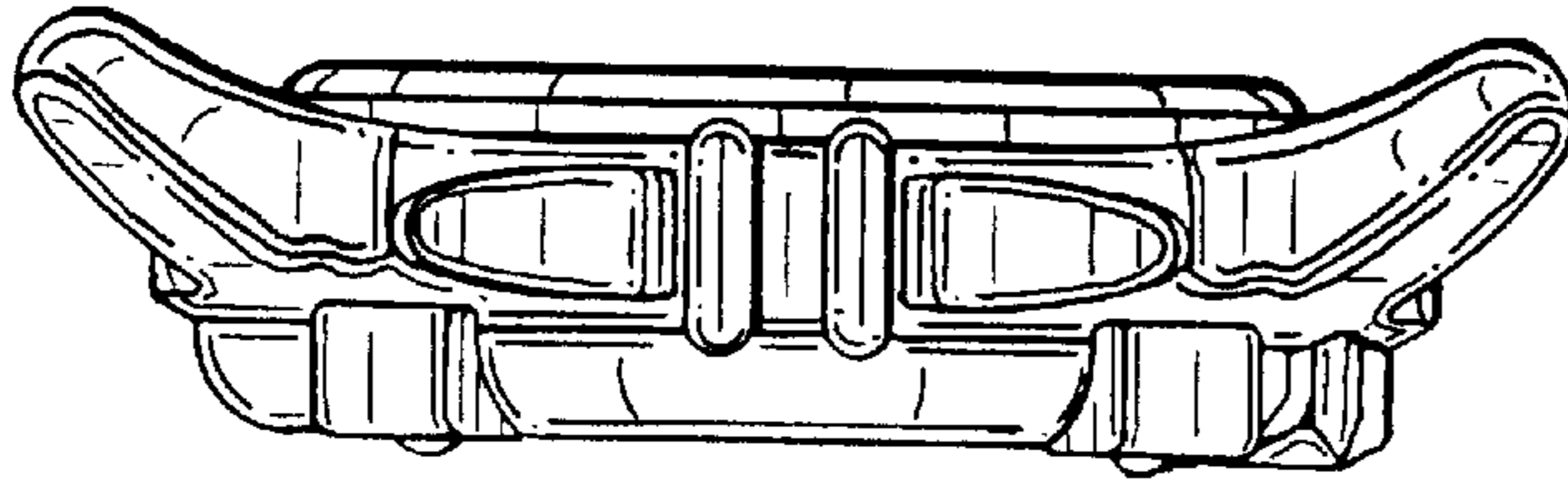


FIG. 5

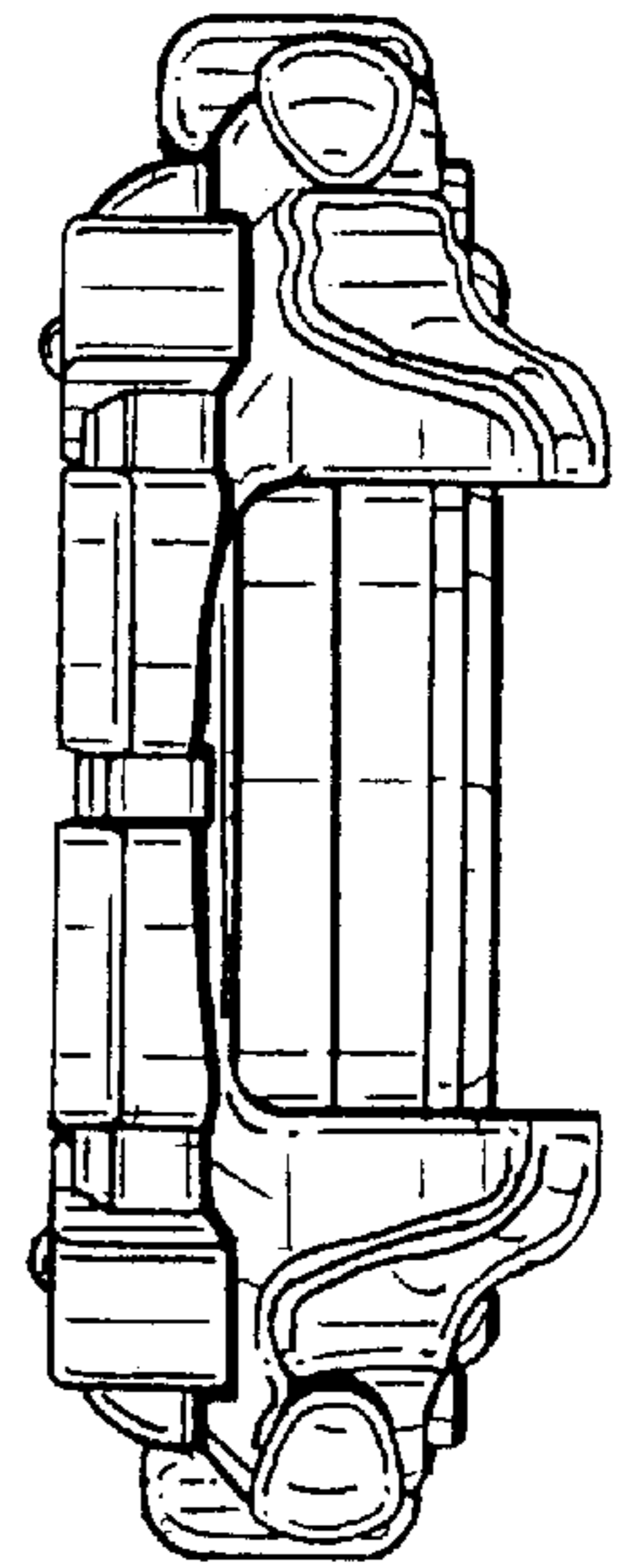


FIG. 6

