



US00D411954S

United States Patent [19]
Williamson

[11] **Patent Number: Des. 411,954**

[45] **Date of Patent: ** Jul. 13, 1999**

[54] **ADAPTOR FOR CONTAINERS**

D. 307,115 4/1990 Waymack D9/447
D. 355,119 2/1995 Zimmermann et al. D9/440
3,563,422 2/1971 Cruikshank 222/570 X

[75] Inventor: **Martin Williamson**, Derbyshire, United Kingdom

[73] Assignee: **Sprintvest Corporation N.V.**, Curacao, Netherlands Antilles

[**] Term: **14 Years**

Primary Examiner—Doris V. Coles
Assistant Examiner—Cathron B. Matta
Attorney, Agent, or Firm—Ladas & Parry

[21] Appl. No.: **29/071,617**

[22] Filed: **Jun. 3, 1997**

[57] **CLAIM**

The ornamental design for an adaptor for containers, as shown and described.

Related U.S. Application Data

DESCRIPTION

[30] **Foreign Application Priority Data**

Dec. 6, 1996 [GB] United Kingdom 2061546

FIG. 1 is a perspective view from above an adaptor for containers showing my new design;

[51] **LOC (6) Cl.** **09-07**

FIG. 2 is a cross-sectional side elevational view of the new design of FIG. 1 take along the line 2—2 of FIG. 4.

[52] **U.S. Cl.** **D9/447; D9/440**

FIG. 3 is a top view of the new design of FIG. 1;

[58] **Field of Search** D9/434, 435, 440, D9/447; D7/700; 222/566, 569, 570

FIG. 4 is a side elevational view of the new design of FIG. 1 the opposite side view being a mirror image thereof; and,

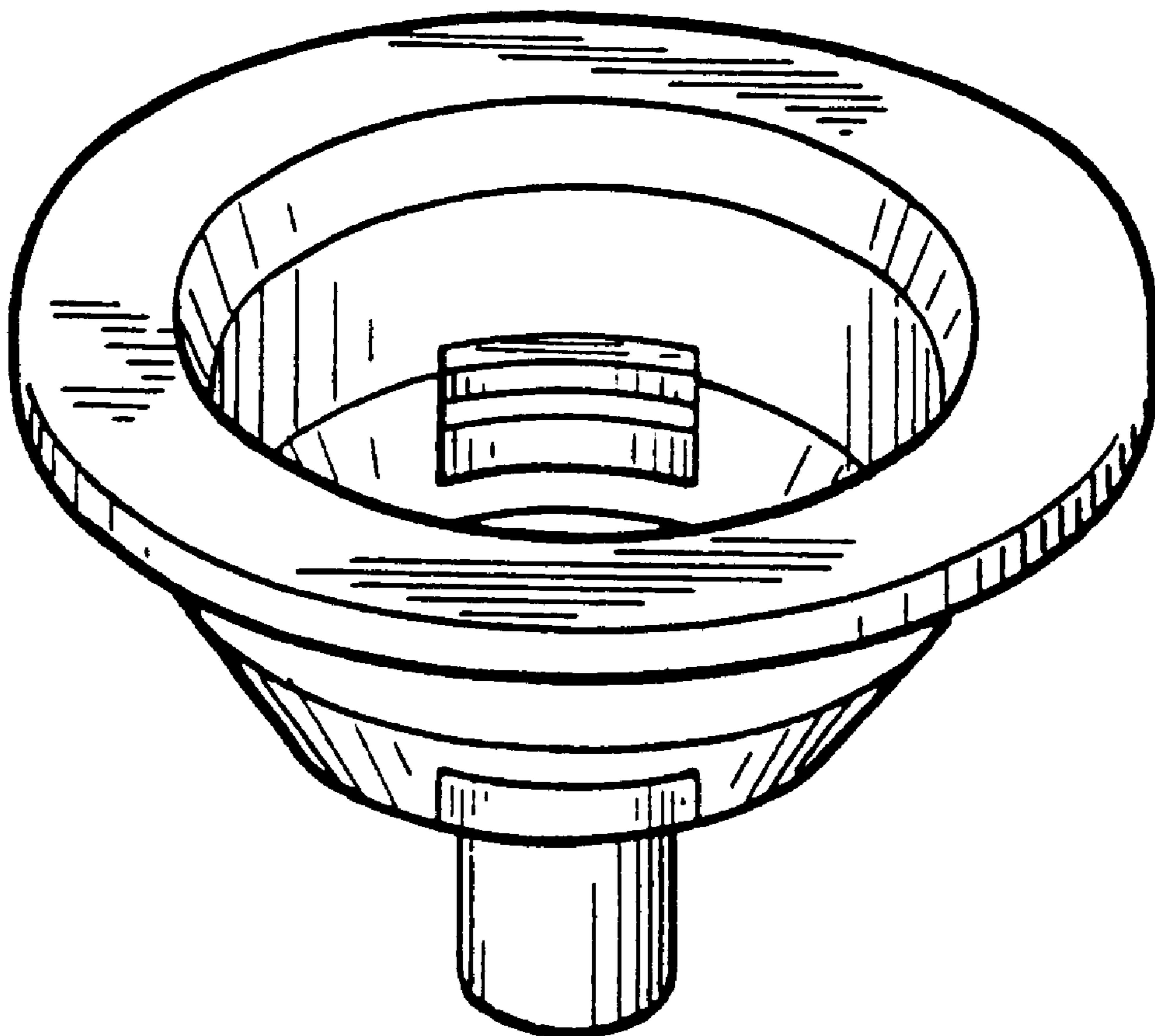
FIG. 5 is a bottom view of the new design of FIG. 1.

[56] **References Cited**

U.S. PATENT DOCUMENTS

D. 306,951 4/1990 Brandstrom et al. D9/447 X

1 Claim, 2 Drawing Sheets



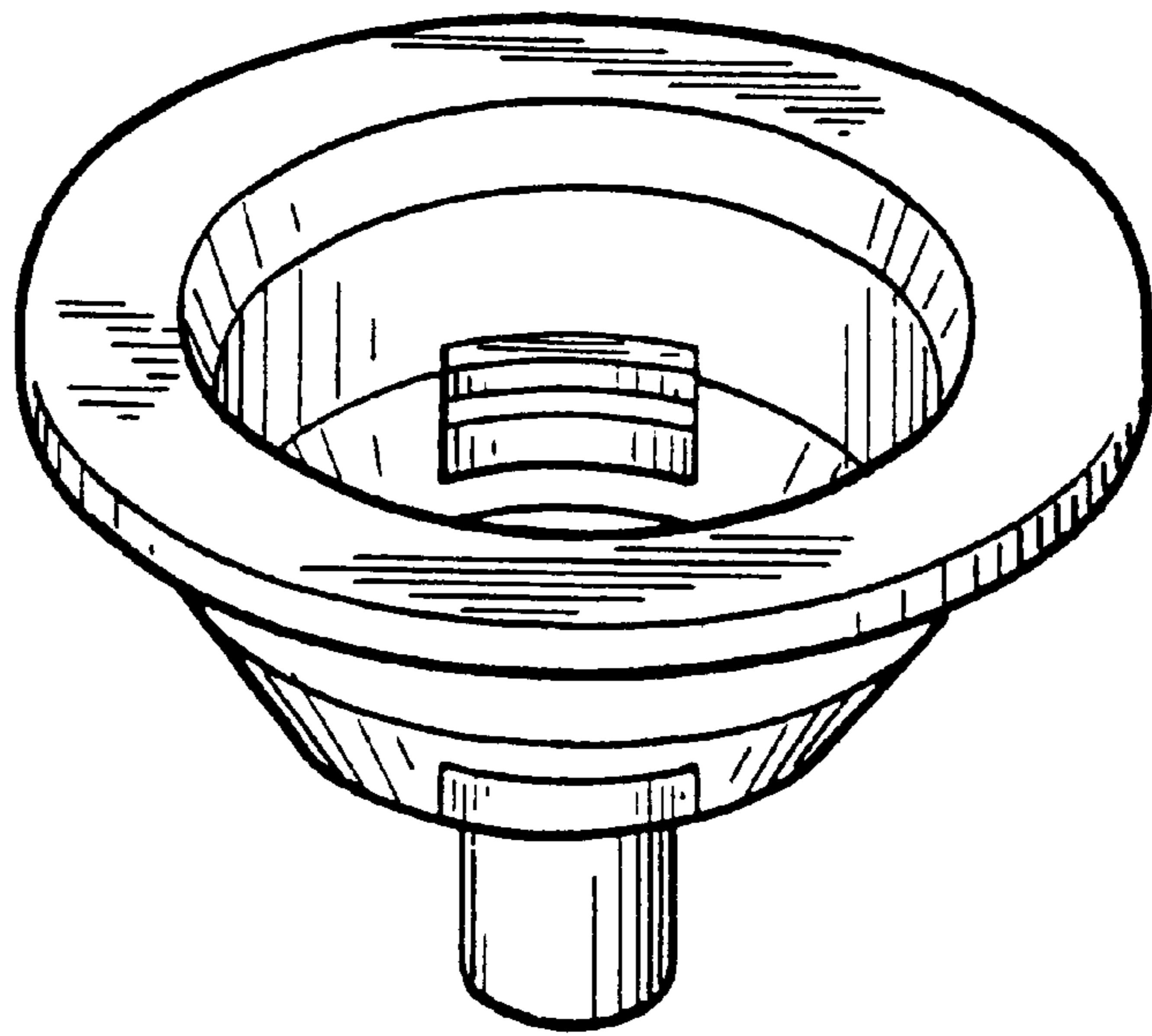


Fig. 1

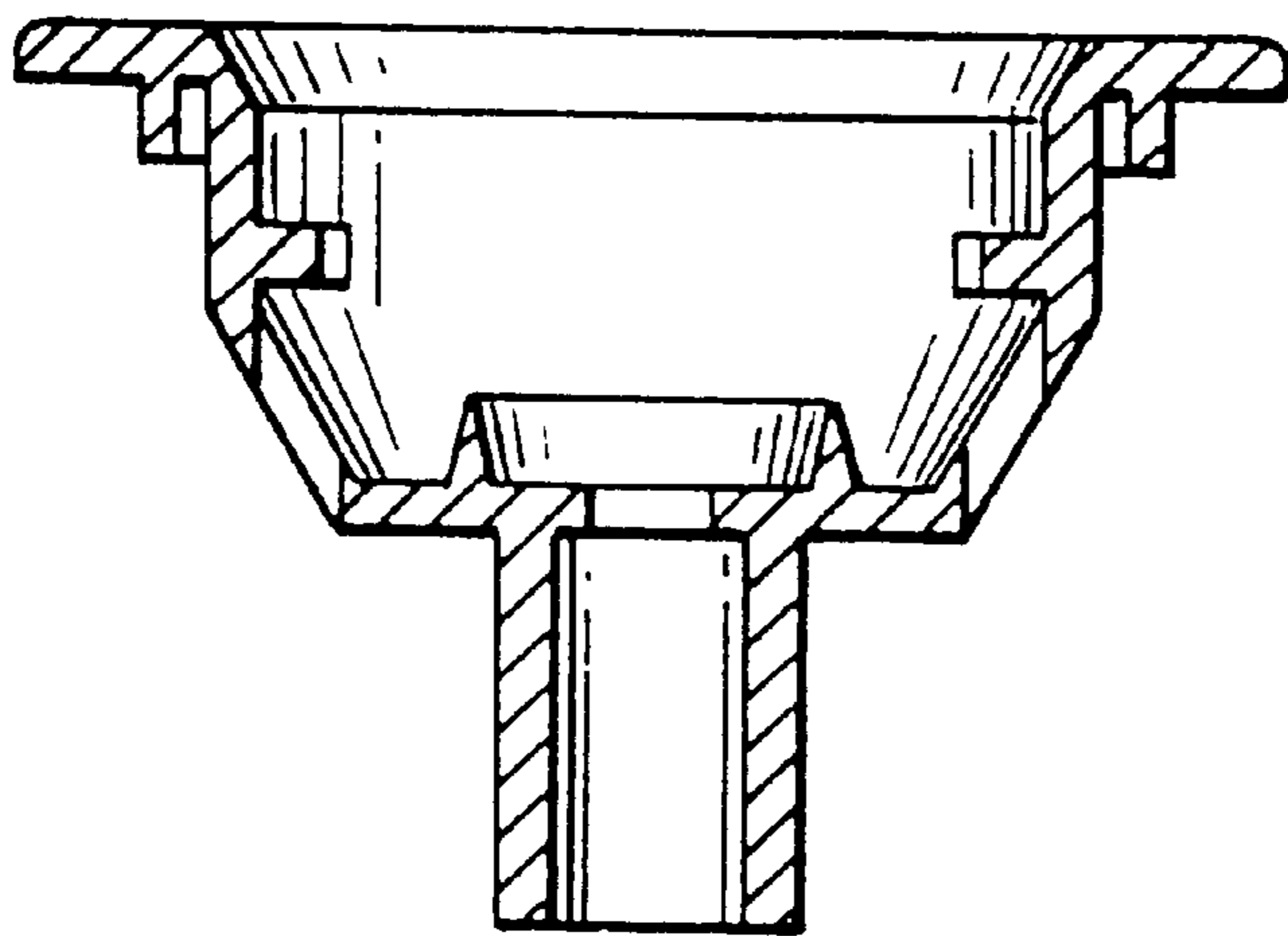


Fig. 2

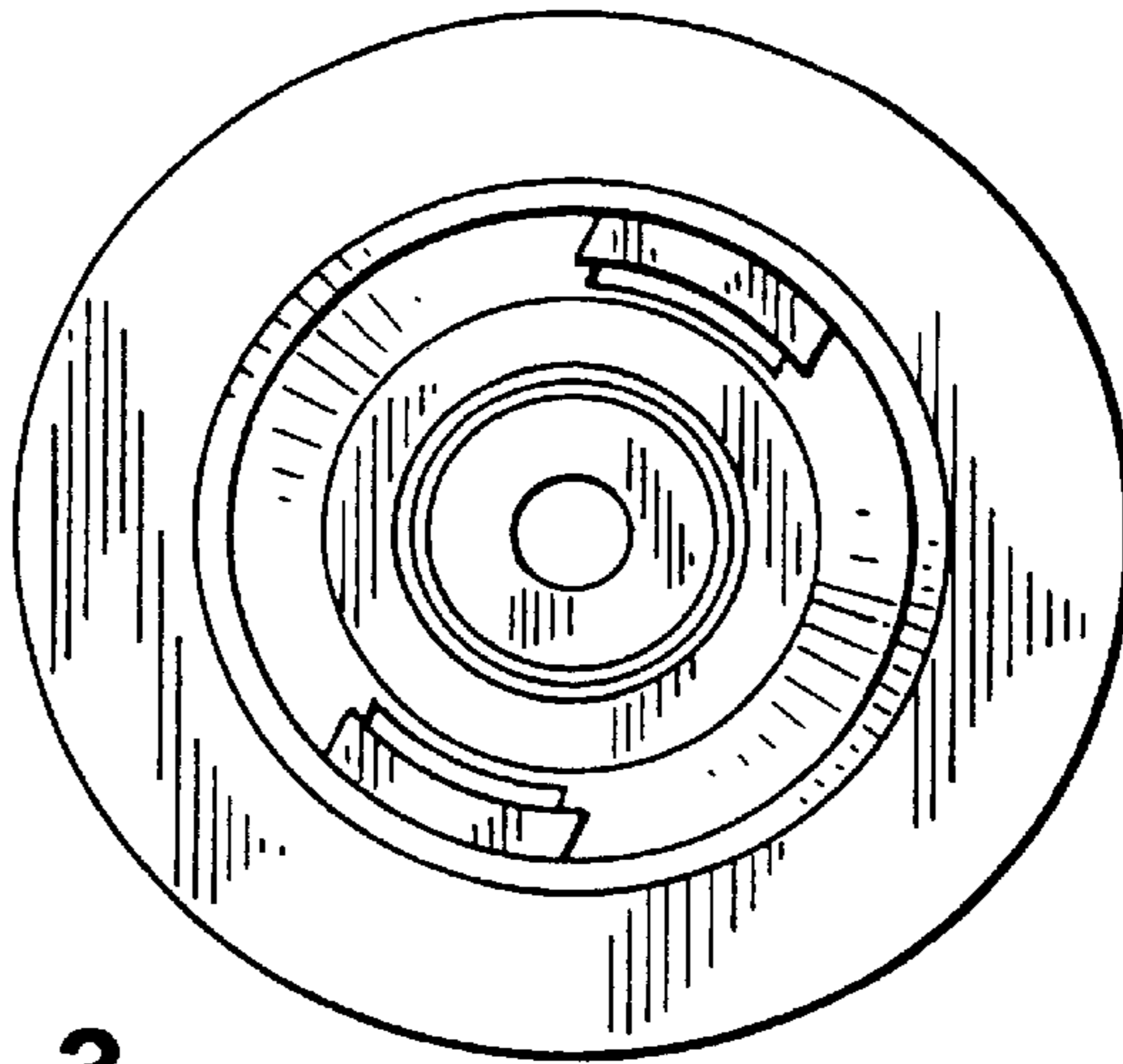


Fig. 3

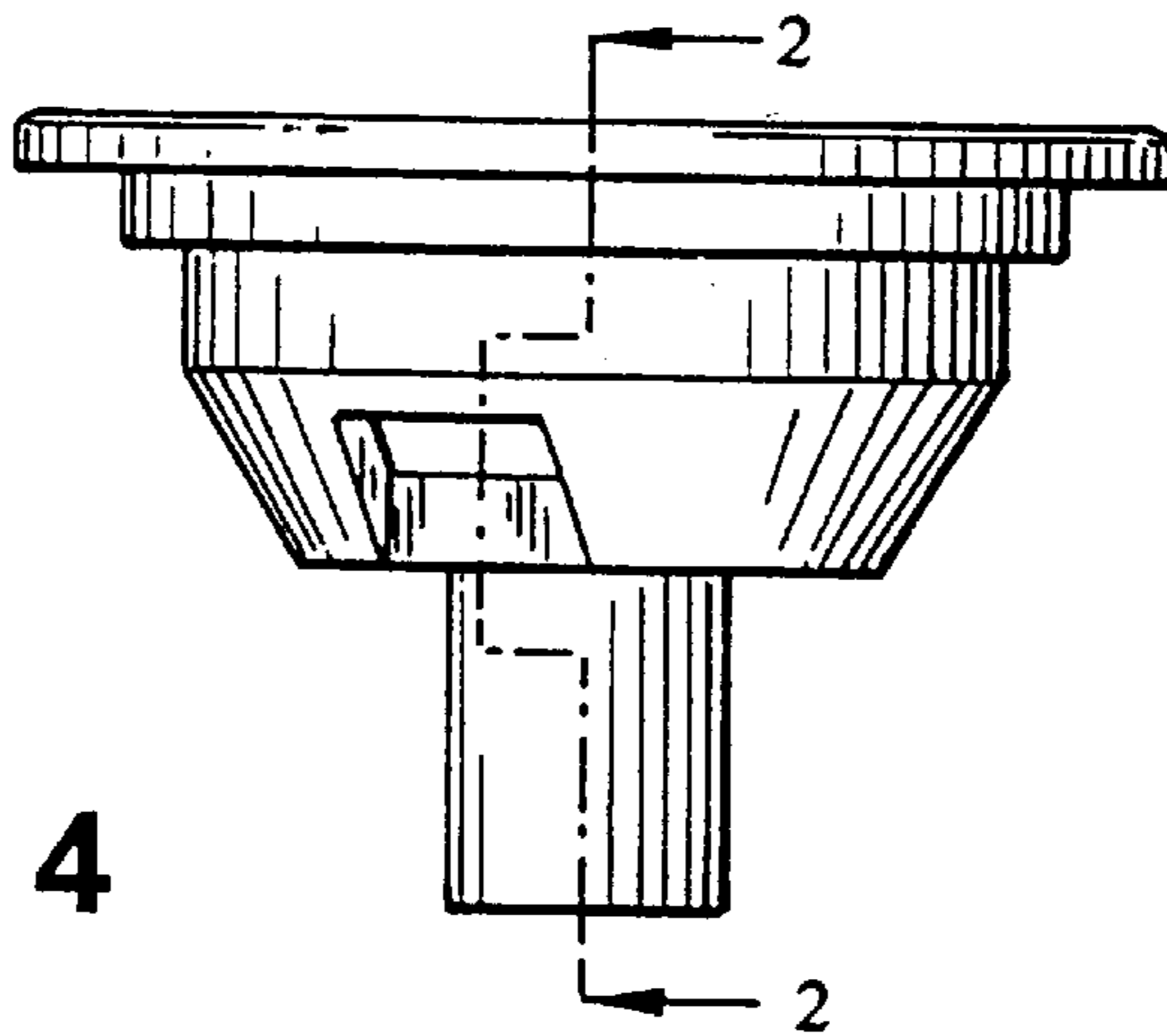


Fig. 4

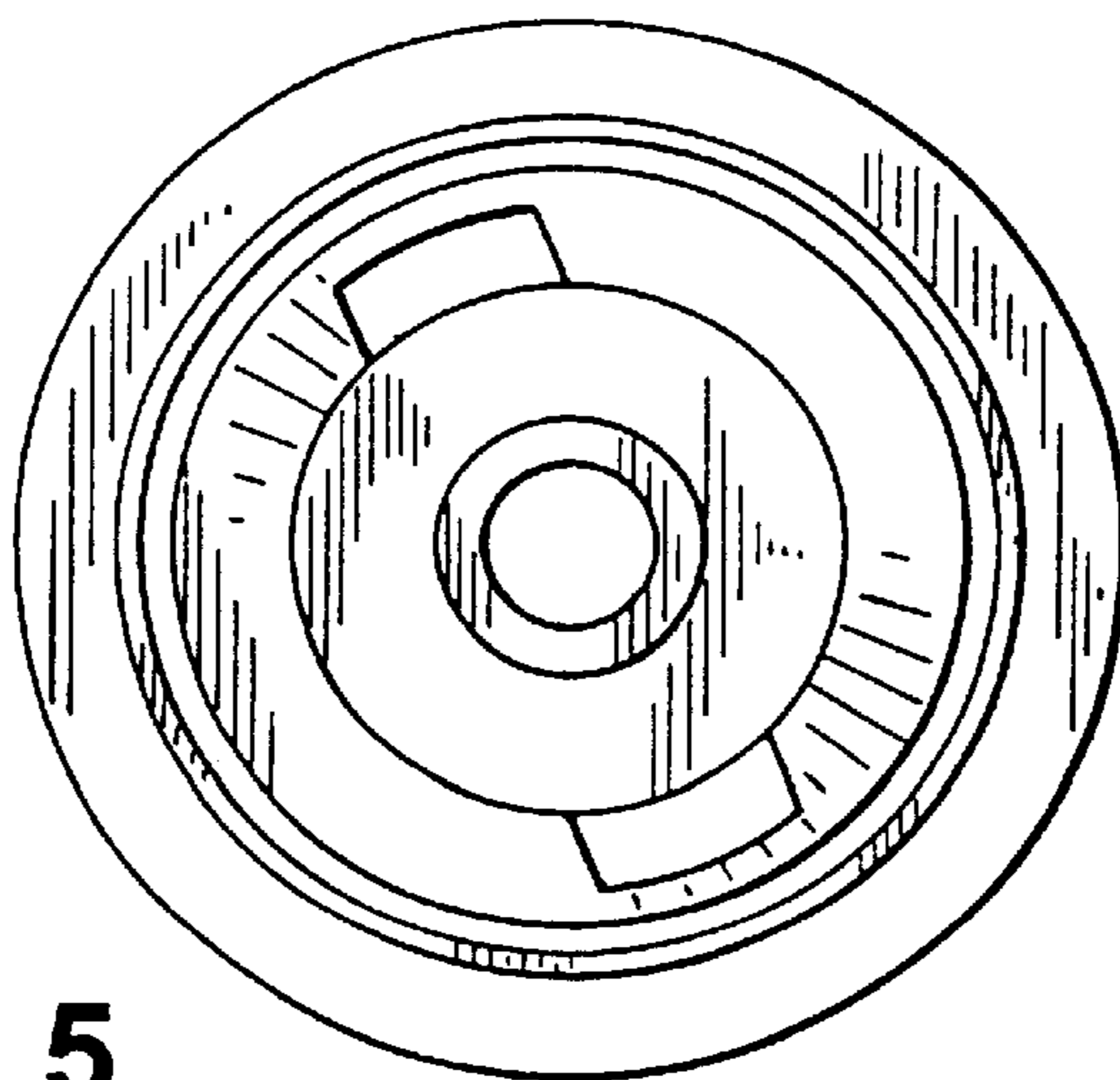


Fig. 5