



US00D411949S

# United States Patent [19] Hill

[11] **Patent Number: Des. 411,949**  
[45] **Date of Patent: \*\* Jul. 13, 1999**

[54] **LOCK BOX**

4,936,894 6/1990 Larson et al. .

[75] Inventor: **Matthew S. Hill**, Salem, Oreg.

### OTHER PUBLICATIONS

[73] Assignee: **SLC Technologies, Inc.**, Salem, Oreg.

Supra RV Keyboxes brochure, 4 pages, Supra Products, Inc., Salem, Oregon Jan. 1995.

[\*\*] Term: **14 Years**

Product Brochure, "Trust Your Keys to KeySafe", 2 pages, Supra Product, Inc., Salem, Oregon Jan. 1995.

[21] Appl. No.: **29/086,770**

*Primary Examiner*—Brian N. Vinson

[22] Filed: **Oct. 14, 1997**

*Attorney, Agent, or Firm*—Klarquist Sparkman Campbell Leigh & Whinston, LLP

### Related U.S. Application Data

### [57] CLAIM

[63] Continuation of application No. 29/069,949, Apr. 18, 1997, abandoned.

I claim the ornamental design for a lock box, as shown and described.

[51] **LOC (6) Cl.** ..... **08-07**

### DESCRIPTION

[52] **U.S. Cl.** ..... **D8/331**

[58] **Field of Search** ..... D8/330, 331, 346;  
70/14, 57-58, 63, 158, 286

FIG. 1 is a perspective view of a lock box showing my new design;

FIG. 2 is a front elevation view;

FIG. 3 is a left-side elevation view, the right-side elevation view is the mirror image thereof;

FIG. 4 is a bottom elevation view;

FIG. 5 is a top elevation view; and,

FIG. 6 is a back elevation view.

### [56] References Cited

#### U.S. PATENT DOCUMENTS

D. 301,682	6/1989	Gardenswartz	.....	D8/330
D. 336,418	6/1993	Carter	.....	D8/330
D. 358,540	5/1995	Trempala	.....	D8/330
4,468,940	9/1984	Davis	.....	70/63
4,626,007	12/1986	Larson	.	

**1 Claim, 2 Drawing Sheets**

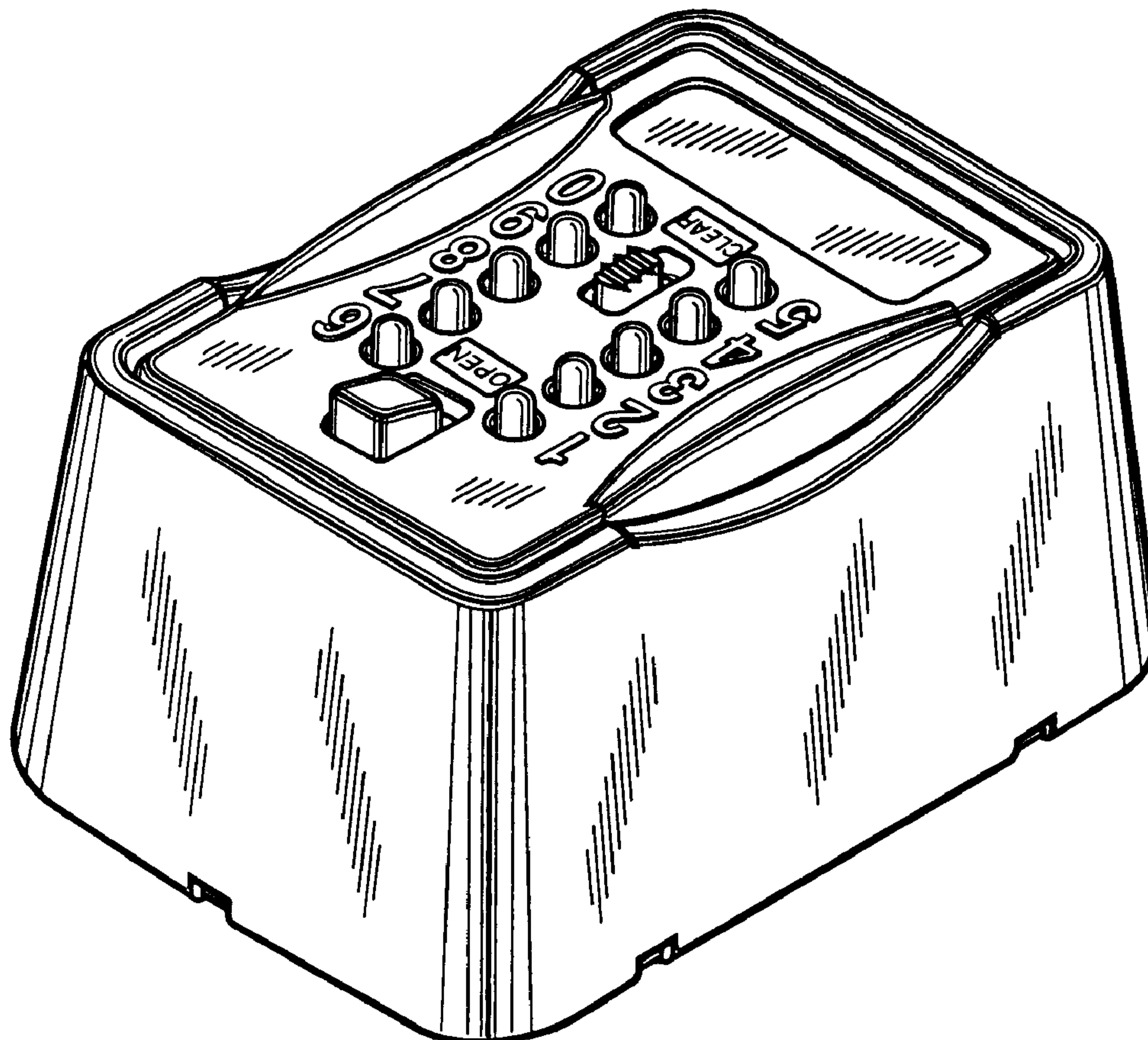


FIG. 1

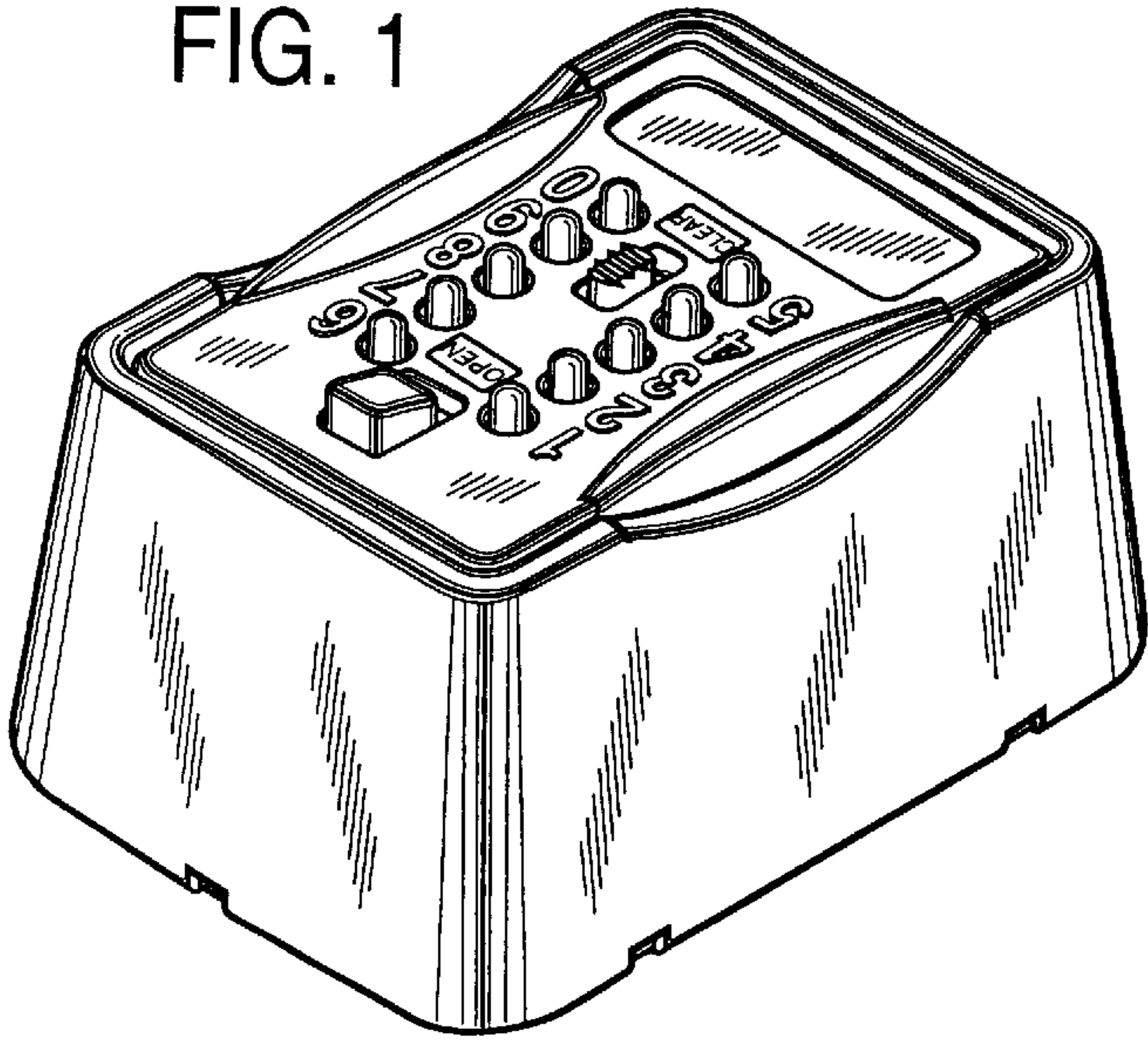


FIG. 2

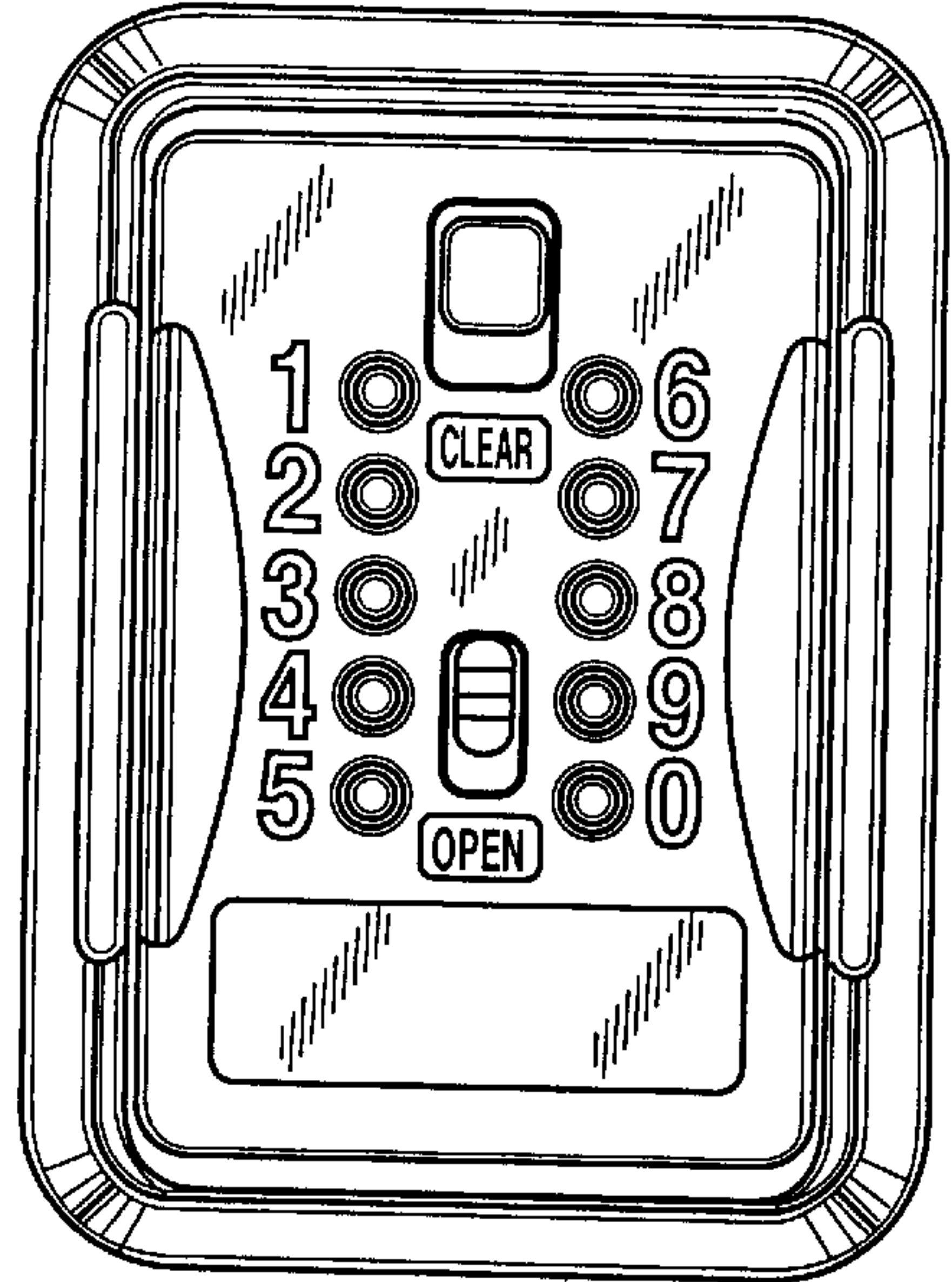


FIG. 3

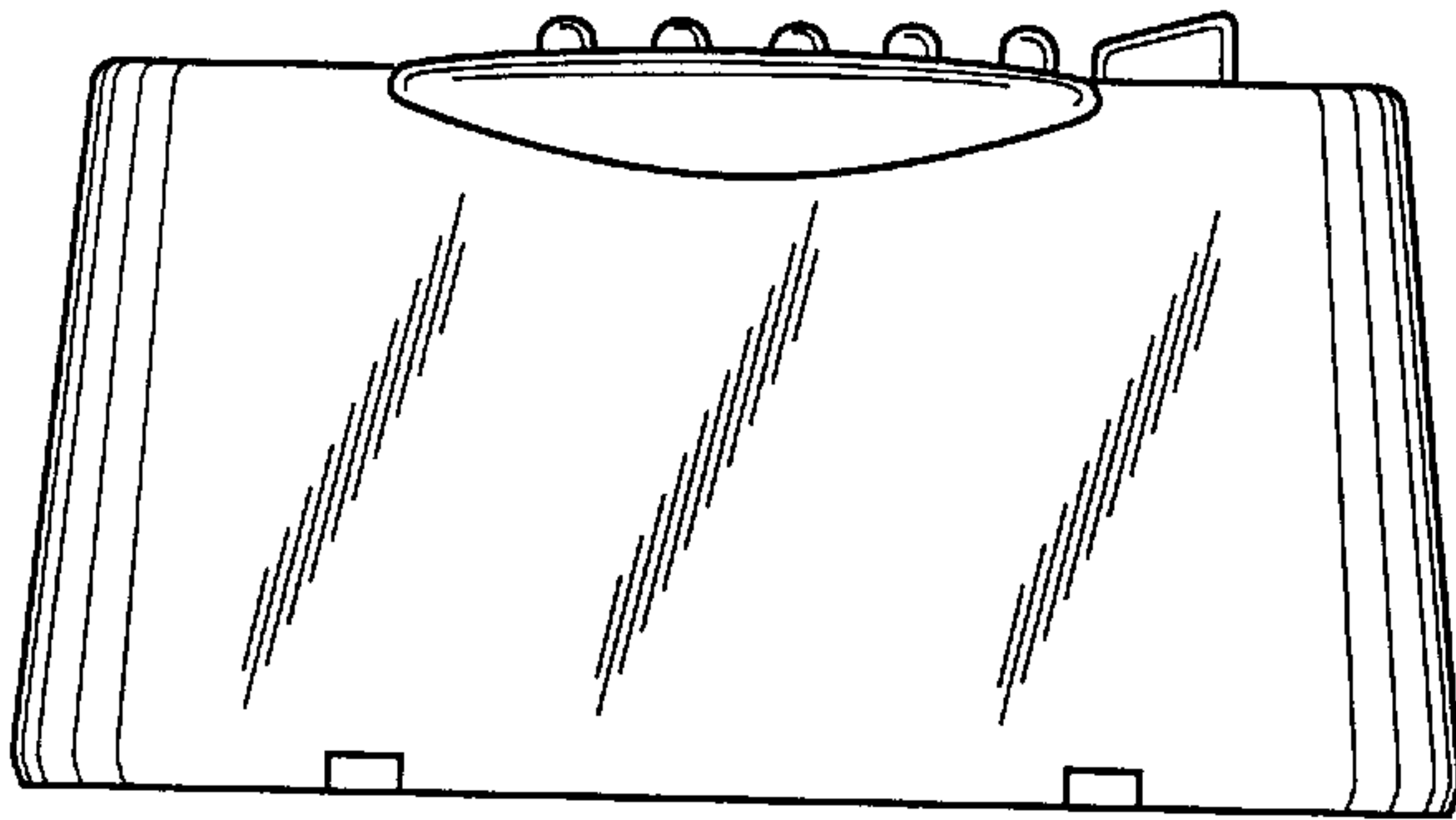


FIG. 4

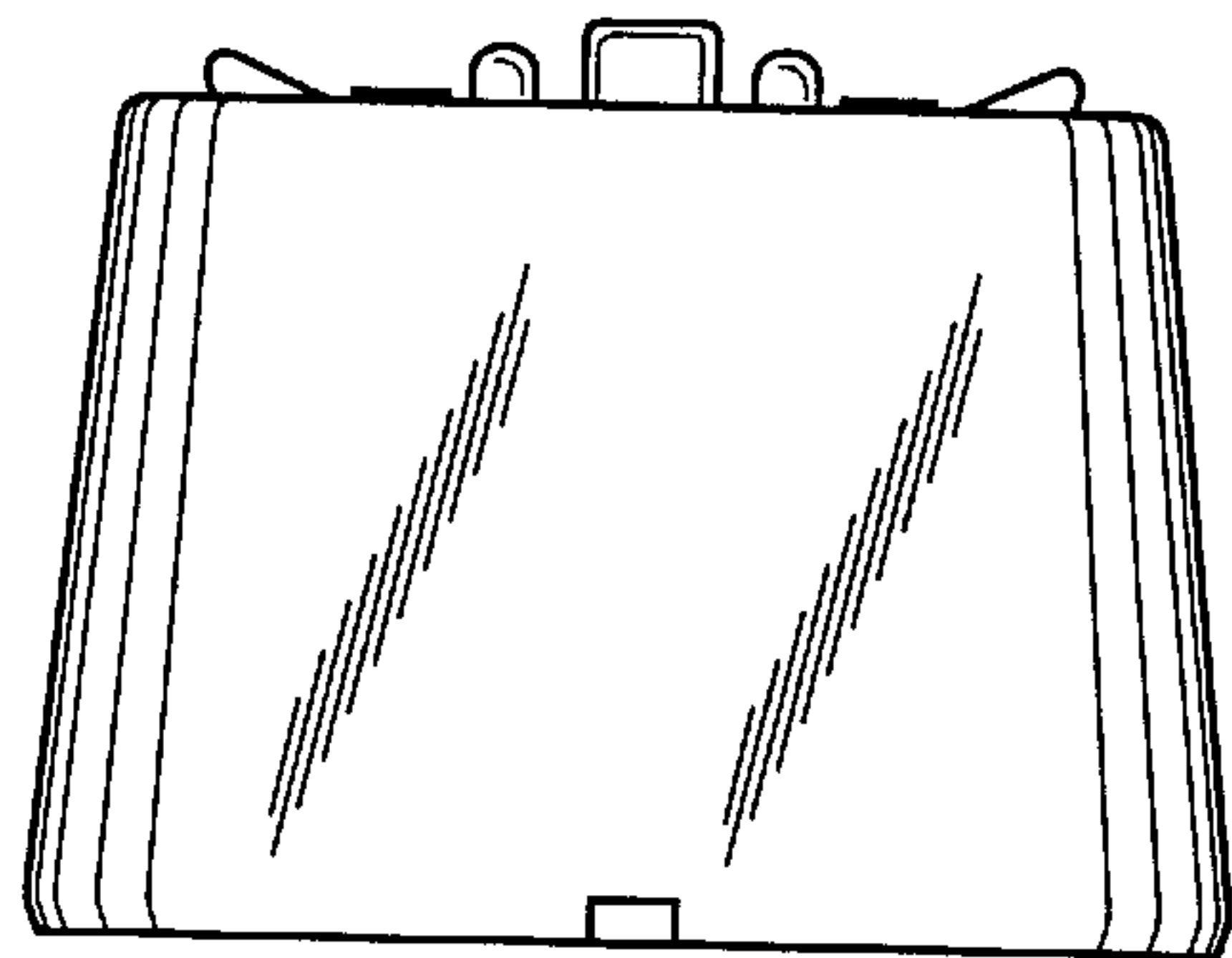


FIG. 5

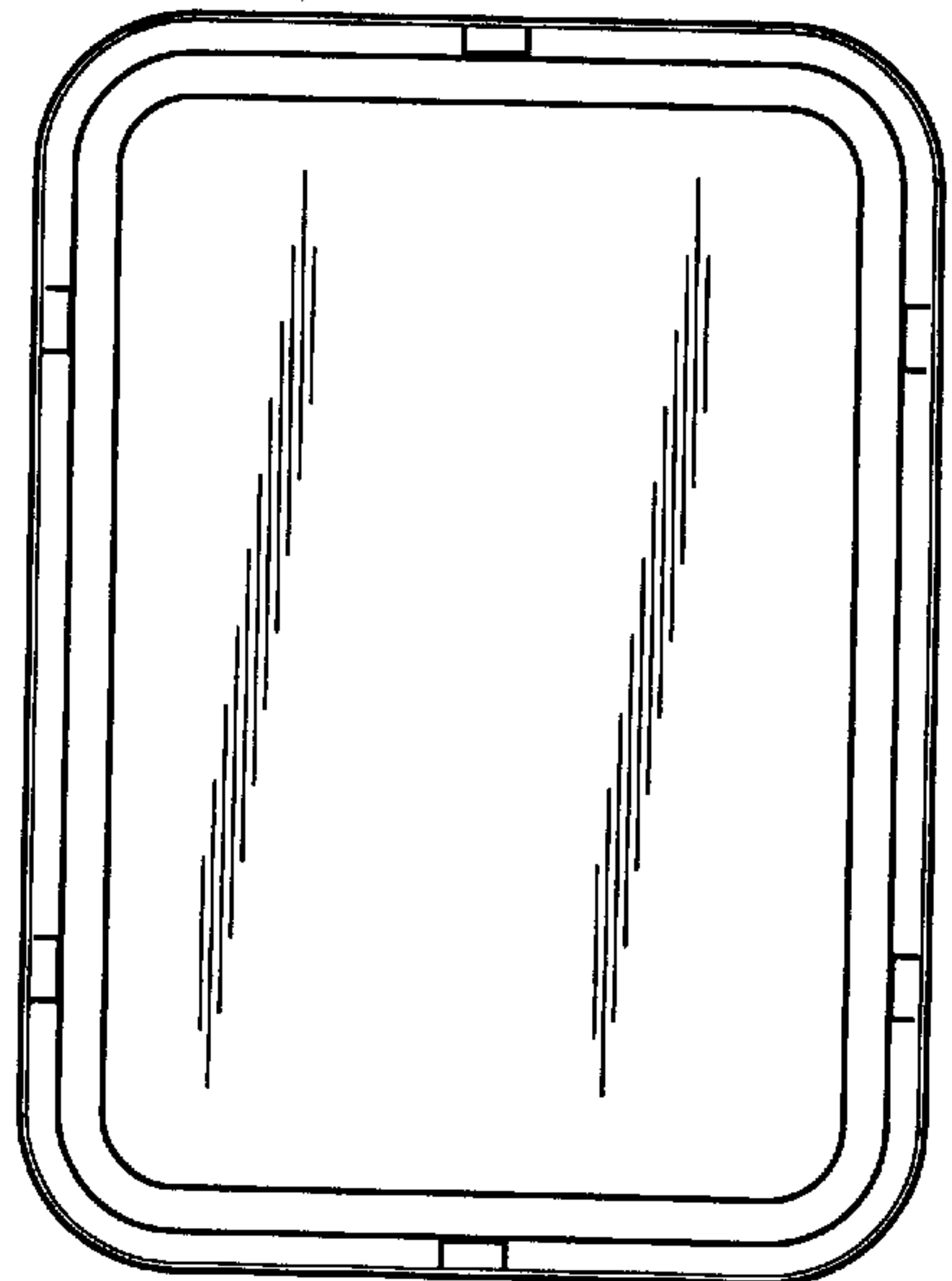


FIG. 6

