



US00D411948S

# United States Patent [19] Chipperfield

[11] **Patent Number: Des. 411,948**

[45] **Date of Patent: \*\* Jul. 13, 1999**

[54] **HANSAW PROTECTIVE HOLSTER**

[75] Inventor: **Peter Douglas Chipperfield**, 2 Cass Street, Rosebud, Victoria 3939, Australia

[73] Assignee: **Peter Douglas Chipperfield**, Victoria, Australia

[\*\*] Term: **14 Years**

[21] Appl. No.: **29/076,481**

[22] Filed: **Sep. 15, 1997**

[30] **Foreign Application Priority Data**

Jun. 13, 1997 [AU] Australia ..... 1942/97

[51] **LOC (6) Cl.** ..... **08-03**

[52] **U.S. Cl.** ..... **D8/95; D3/220**

[58] **Field of Search** ..... D3/201, 220, 228, D3/269; D8/95, 96, 97; 30/504

[56] **References Cited**

**U.S. PATENT DOCUMENTS**

D. 225,559 12/1972 Bayly ..... D3/220  
D. 230,529 2/1974 Bailey ..... D8/95

D. 265,147 6/1982 Jackson ..... D3/93  
D. 303,731 10/1989 Blochlinger et al. .... D3/93  
D. 374,981 10/1996 Hainsworth et al. .... D3/220  
D. 383,961 9/1997 Scales, III ..... D8/95  
D. 390,767 2/1998 Scales, III ..... D8/95  
757,740 4/1904 Happe ..... 30/504

*Primary Examiner*—Celia Murphy

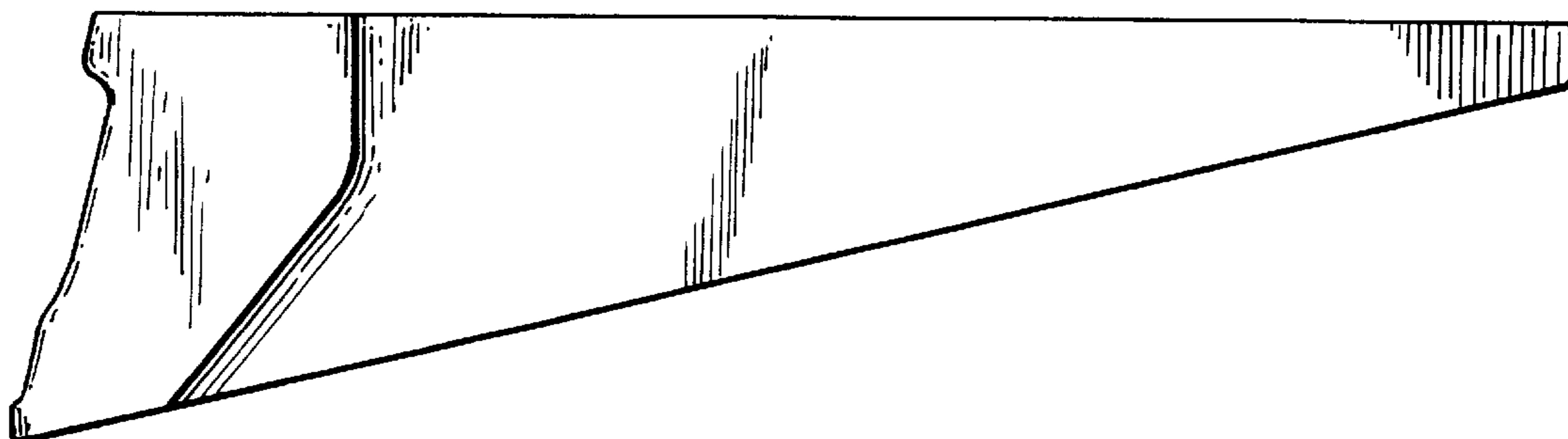
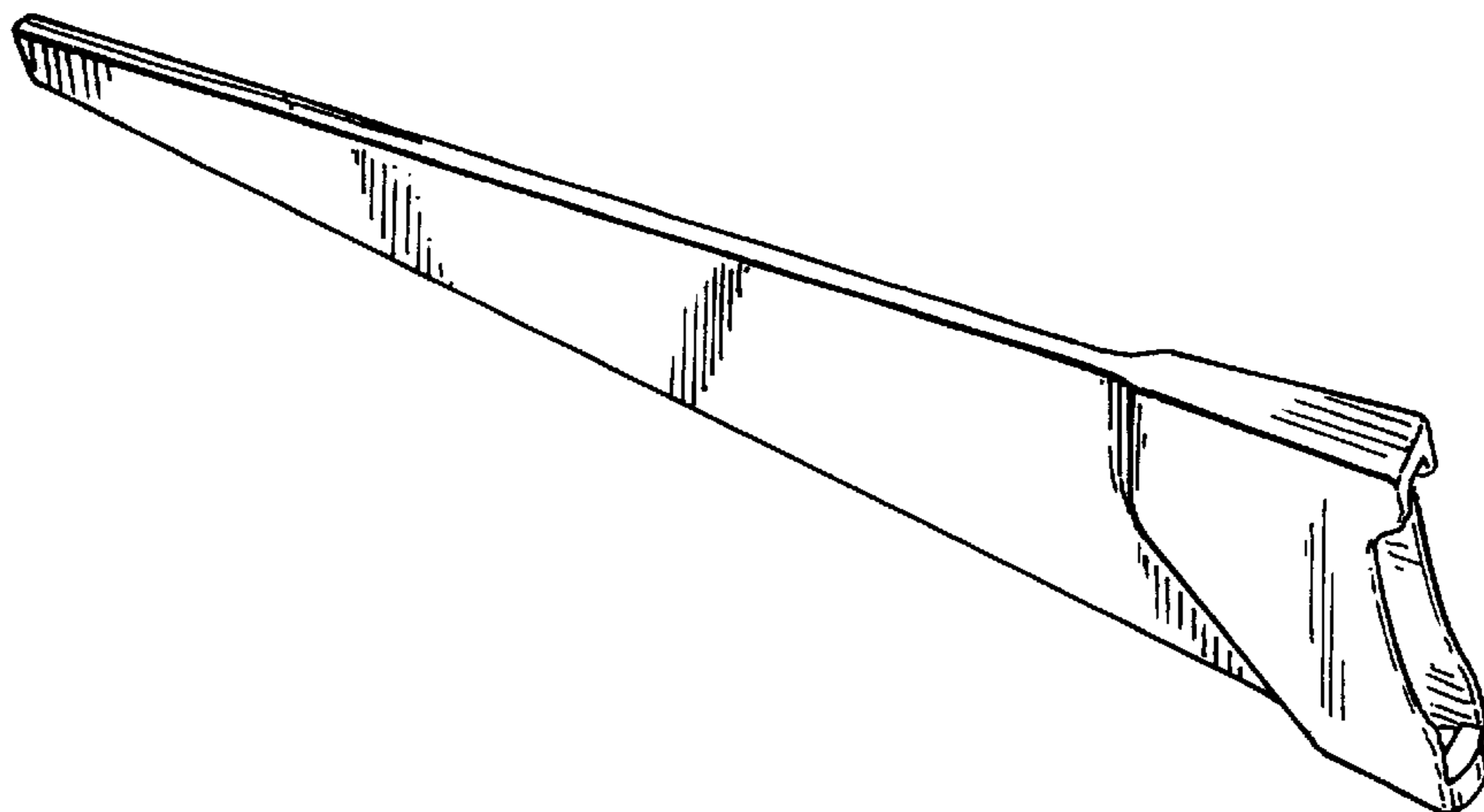
[57] **CLAIM**

The ornamental design for handsaw protective holster, as shown and described.

**DESCRIPTION**

FIG. 1 is a perspective view of a handsaw protective holster according to the present design, FIG. 2 is a top plan view of the handsaw protective holster of FIG. 1, FIG. 3 is a side view of the handsaw protective holster of FIG. 1, FIG. 4 is a bottom plan view of the handsaw protective holster of FIG. 1, FIG. 5 is a view from one end of the handsaw protective holster of FIG. 1; and, FIG. 6 is a view from the other end of the handsaw protective holster of FIG. 1.

**1 Claim, 1 Drawing Sheet**



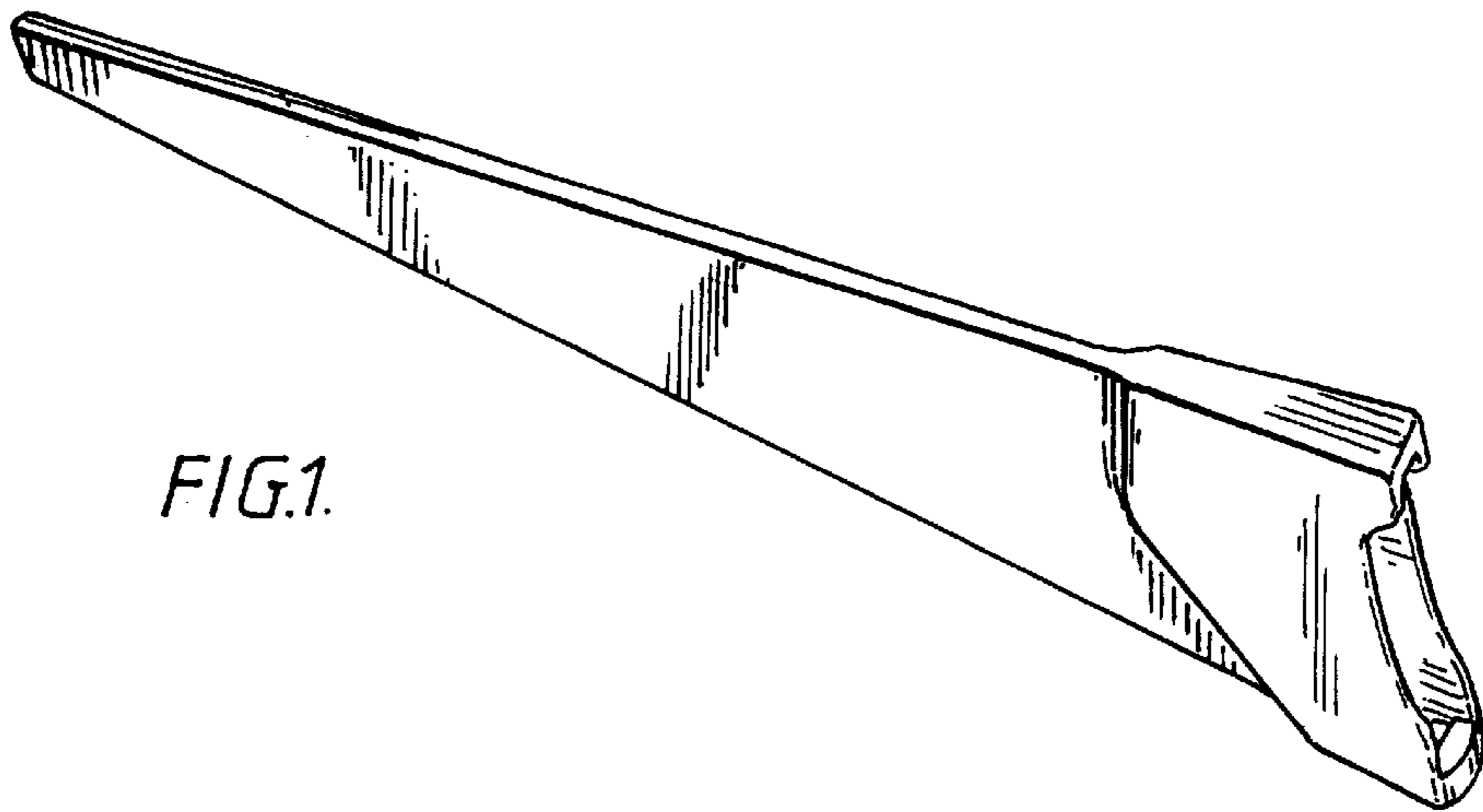


FIG. 1.

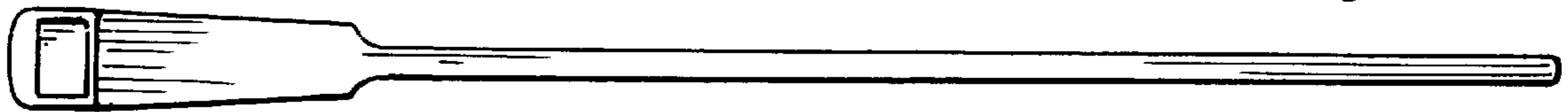


FIG. 2.

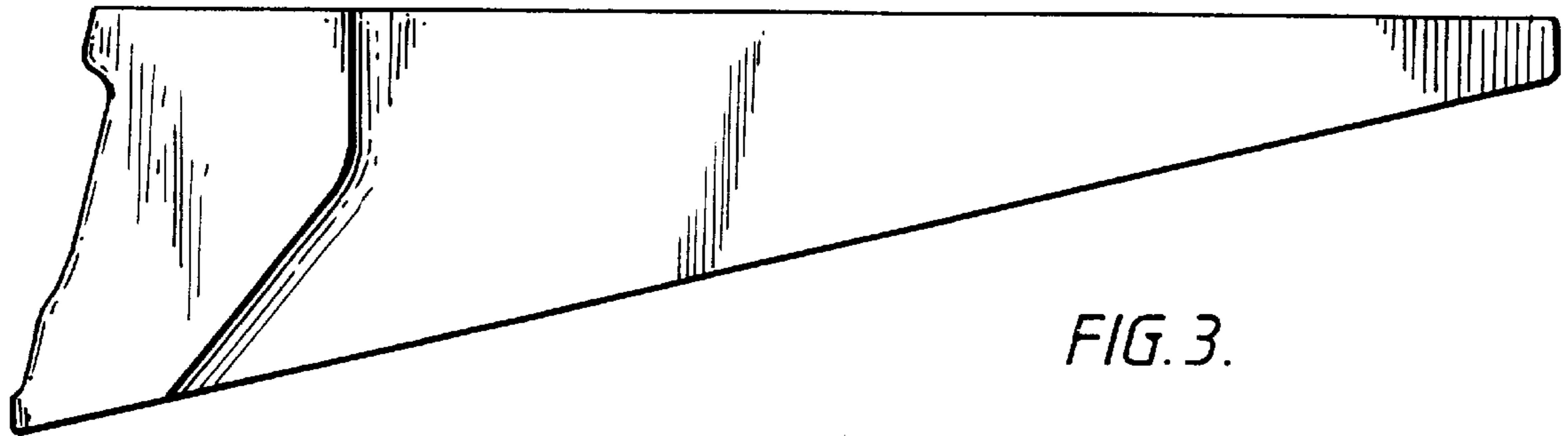


FIG. 3.

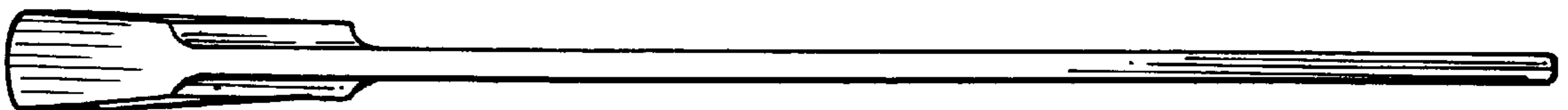


FIG. 4.



FIG. 5.



FIG. 6.