



US00D411947S

**United States Patent** [19]  
**Sugimoto et al.**

[11] **Patent Number: Des. 411,947**  
[45] **Date of Patent: \*\* Jul. 13, 1999**

[54] **PORTABLE ELECTRIC SCREWDRIVER**

D. 360,814 8/1995 Kimata ..... D8/68  
D. 392,863 3/1998 Sugimoto et al. .

[75] Inventors: **Manabu Sugimoto; Norifumi Niwa; Isao Miyashita; Shingo Umemura**, all of Anjo, Japan

*Primary Examiner*—Nelson C. Holtje  
*Attorney, Agent, or Firm*—Dennison, Meserole, Scheiner & Schultz

[73] Assignee: **Makita Corporation**, Aichi-ken, Japan

[57] **CLAIM**

[\*\*] Term: **14 Years**

The ornamental design for a portable electric screwdriver, as shown and described.

[21] Appl. No.: **29/092,421**

[22] Filed: **Aug. 19, 1998**

[30] **Foreign Application Priority Data**

Feb. 20, 1998 [JP] Japan ..... 10-4578  
Jun. 15, 1998 [JP] Japan ..... 10-17222

**DESCRIPTION**

[51] **LOC (6) Cl.** ..... **08-05**

[52] **U.S. Cl.** ..... **D8/68; D8/61**

[58] **Field of Search** ..... D8/61, 68; 81/57.11, 81/57.14, 57.13, 177.6, 177.4, 436, 438, 463; 173/170, 217, 90-93

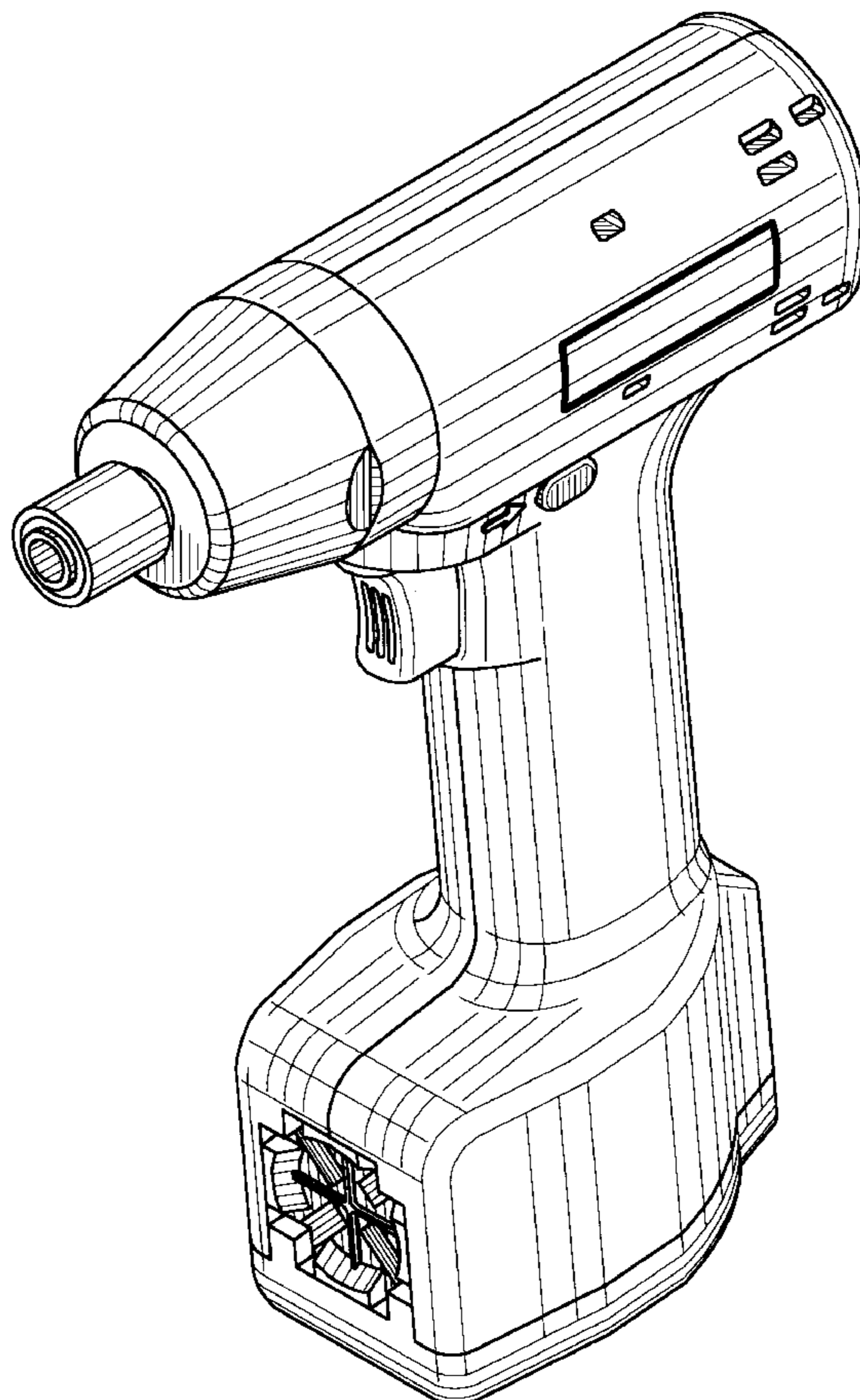
FIG. 1 is a perspective view of a portable electric screwdriver showing our new design; FIG. 2 is a front elevation view thereof; FIG. 3 is a rear elevation view thereof; FIG. 4 is a left side elevation view thereof; FIG. 5 is a right side elevation view thereof; FIG. 6 is a top plan view thereof; FIG. 7 is a bottom plan view thereof; FIG. 8 is a perspective view of a second embodiment of the portable electric screwdriver shown in FIG. 1; FIG. 9 is a front elevation view thereof; FIG. 10 is a rear elevation view thereof; FIG. 11 is a left side elevation view thereof; FIG. 12 is a right side elevation view thereof; FIG. 13 is a top plan view thereof; and, FIG. 14 is a bottom plan view thereof.

[56] **References Cited**

**U.S. PATENT DOCUMENTS**

D. 320,917 10/1991 Fushiya ..... D8/68  
D. 339,046 9/1993 Fushiya ..... D8/68  
D. 342,430 12/1993 Saito ..... D8/68  
D. 345,090 3/1994 Okumura ..... D8/68  
D. 345,682 4/1994 Sasaki ..... D8/68

**1 Claim, 10 Drawing Sheets**



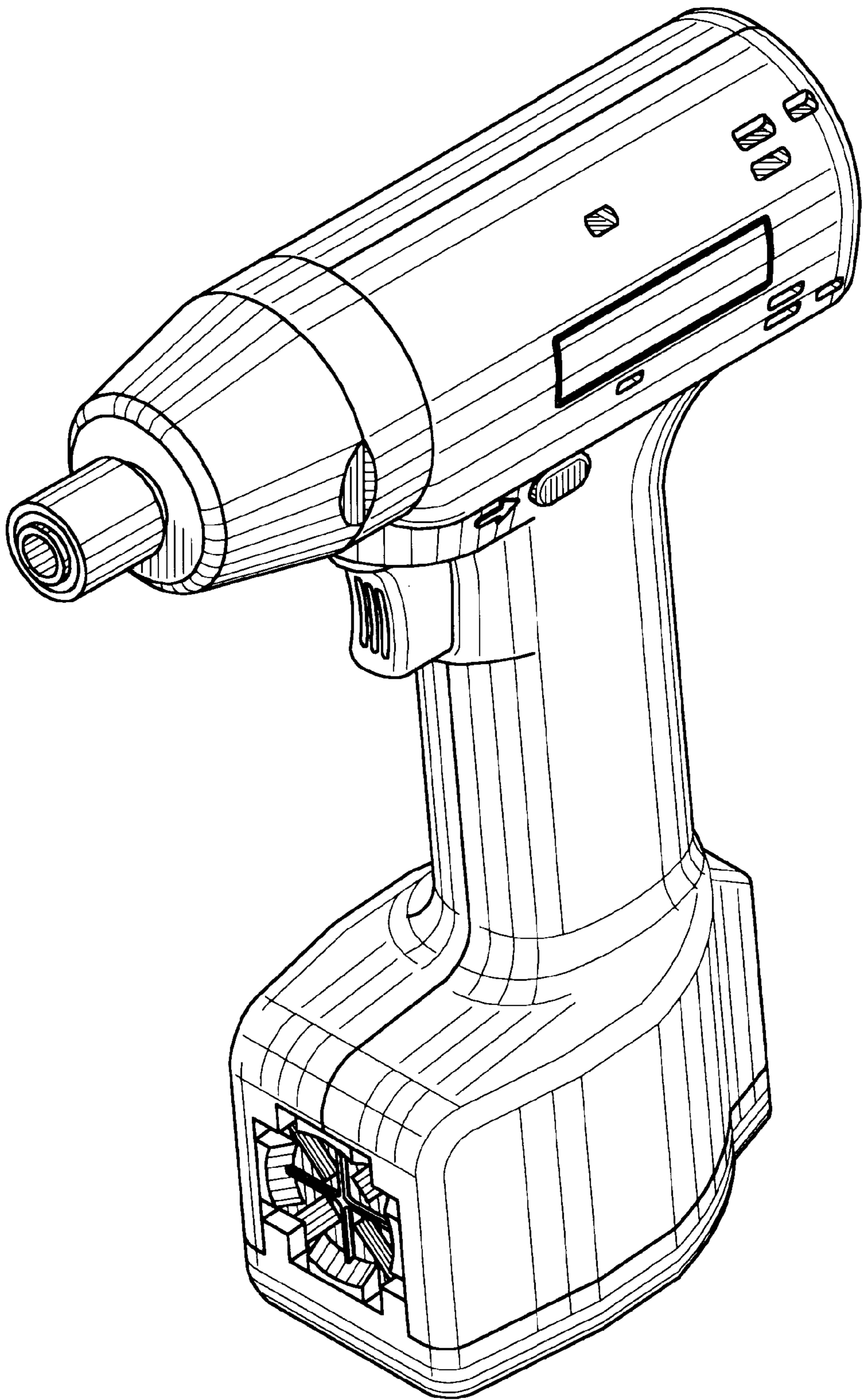


FIG. 1

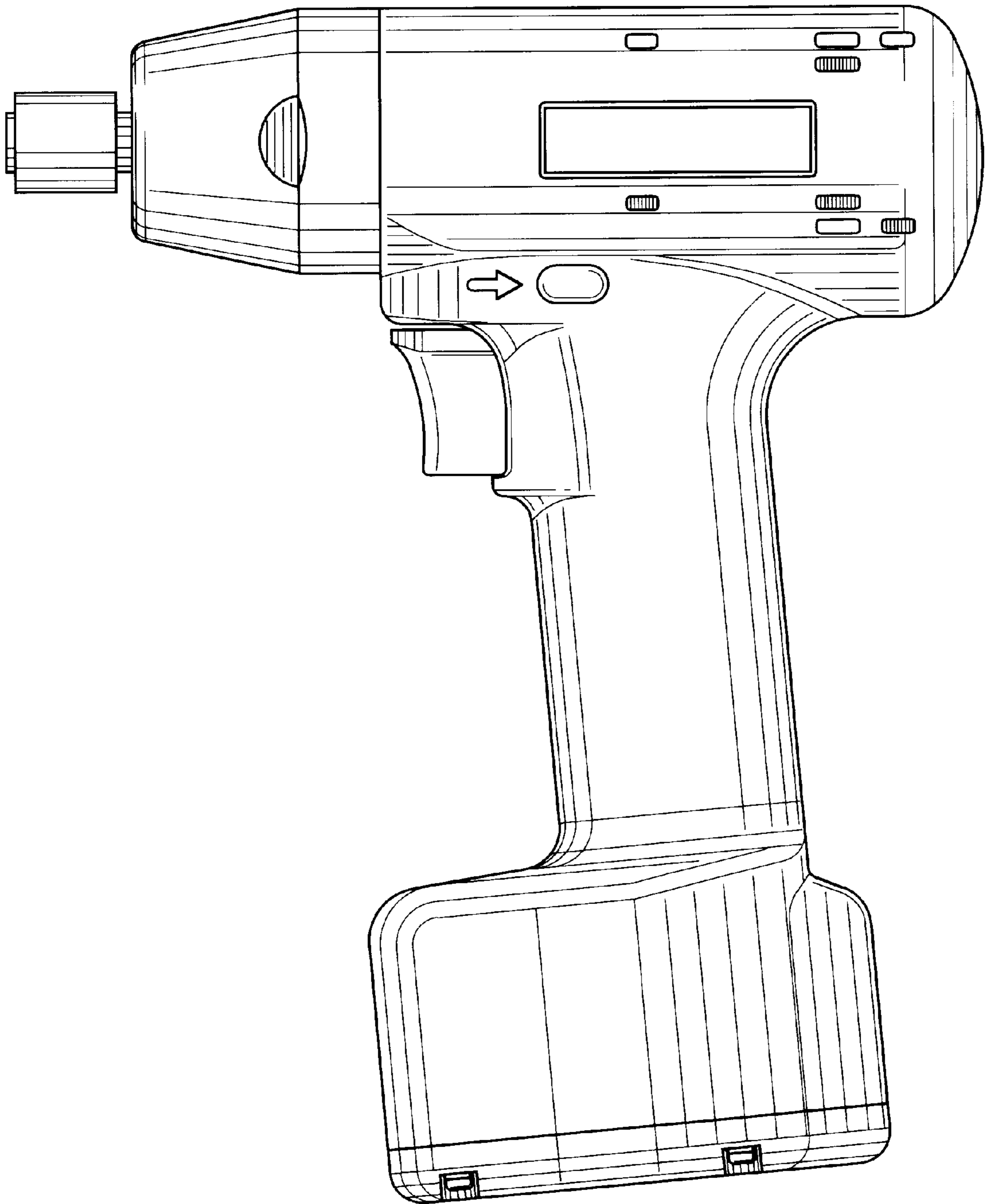


FIG. 2

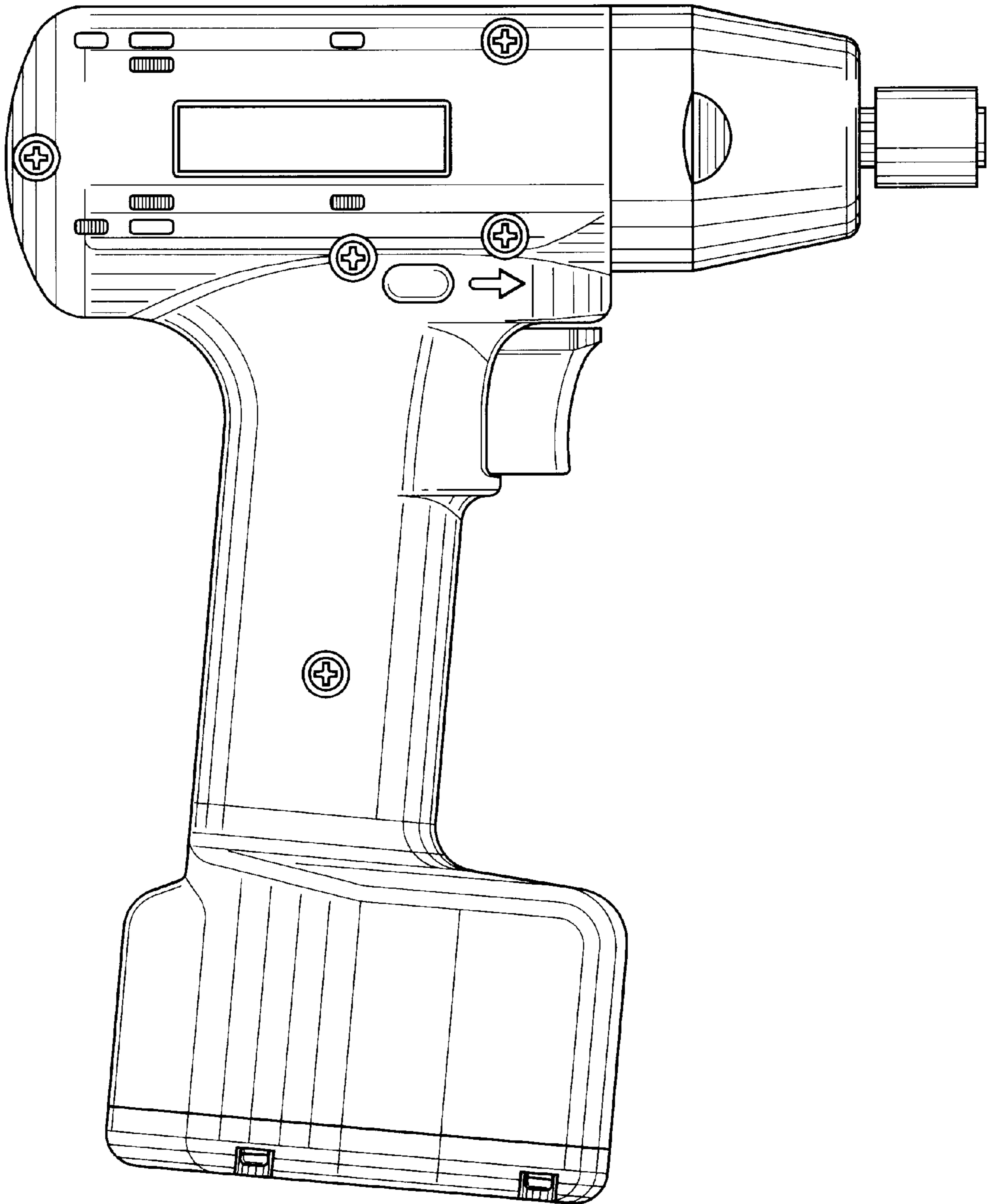


FIG. 3

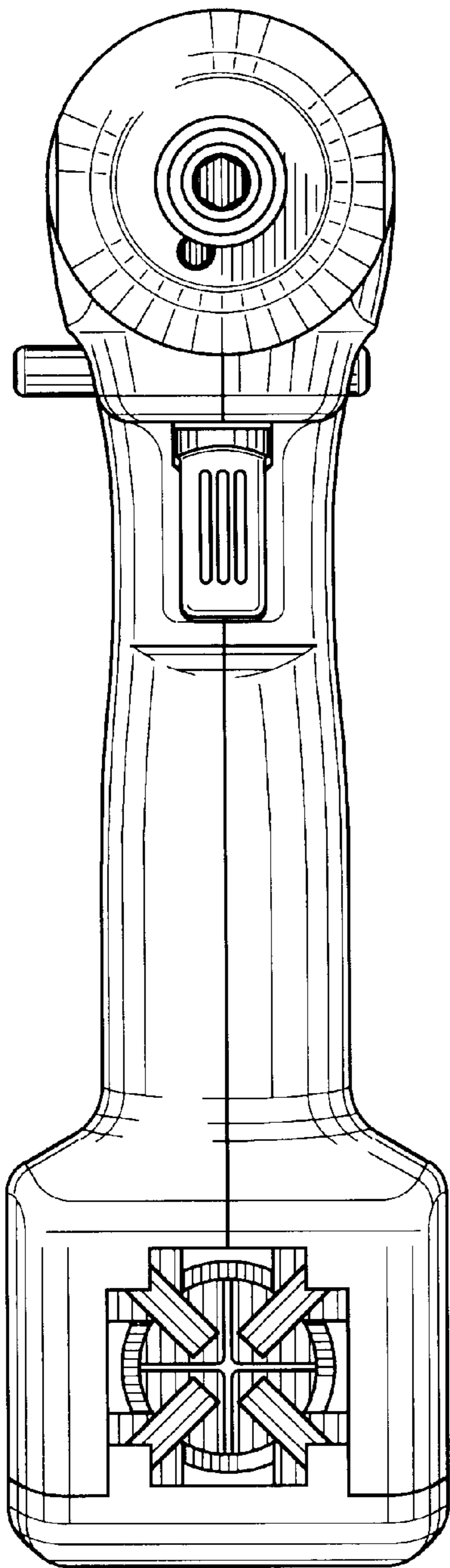


FIG. 4

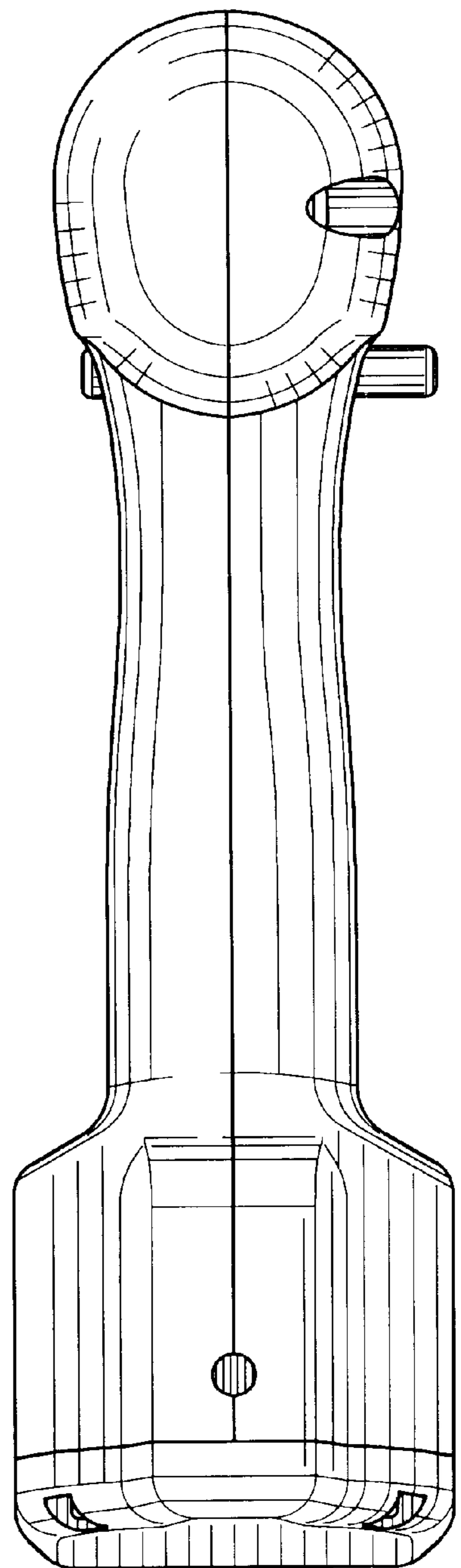


FIG. 5

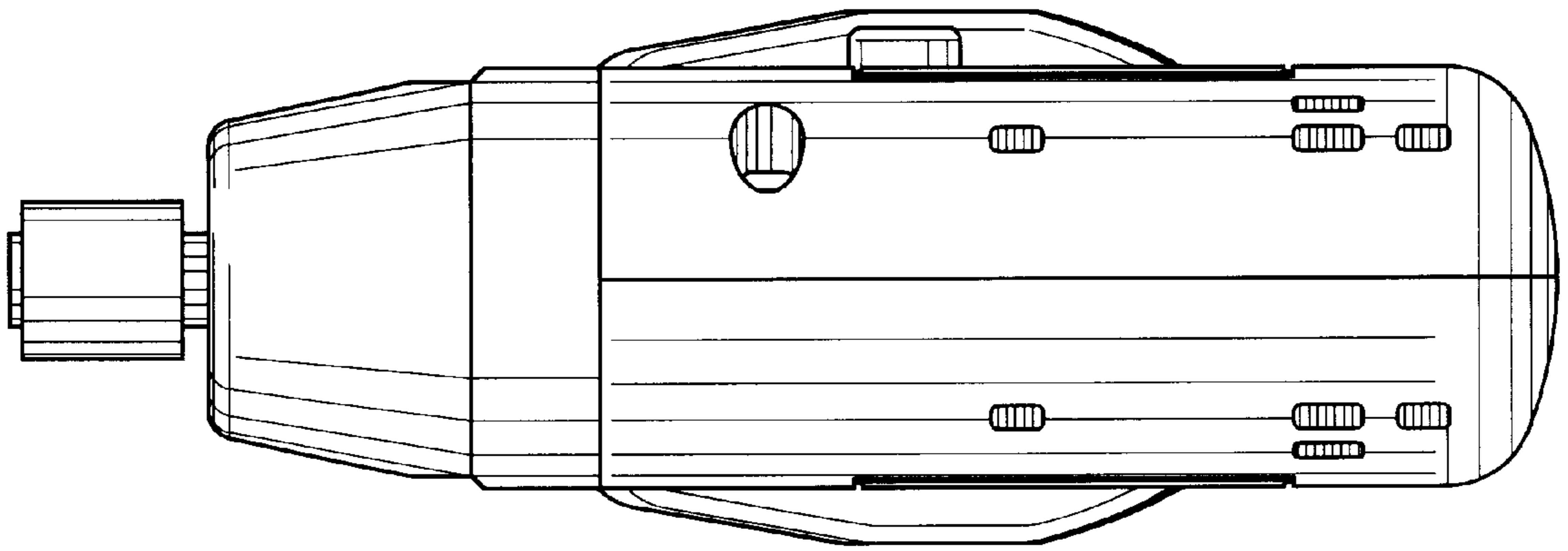


FIG. 6

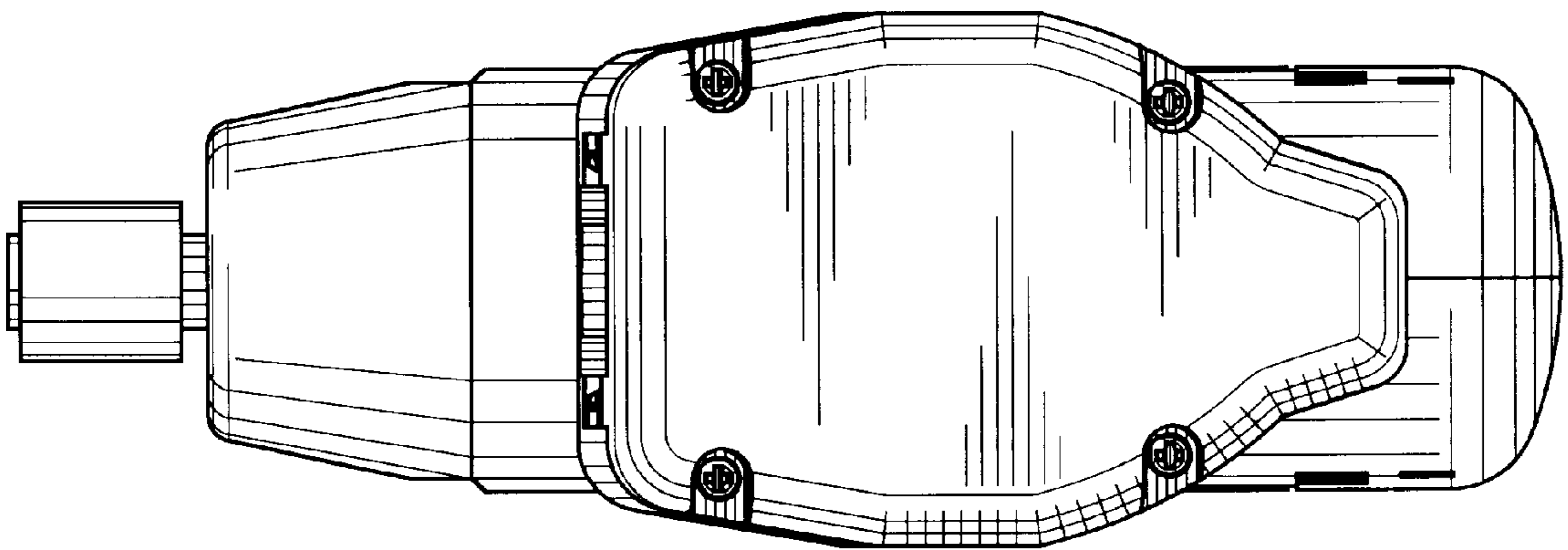


FIG. 7

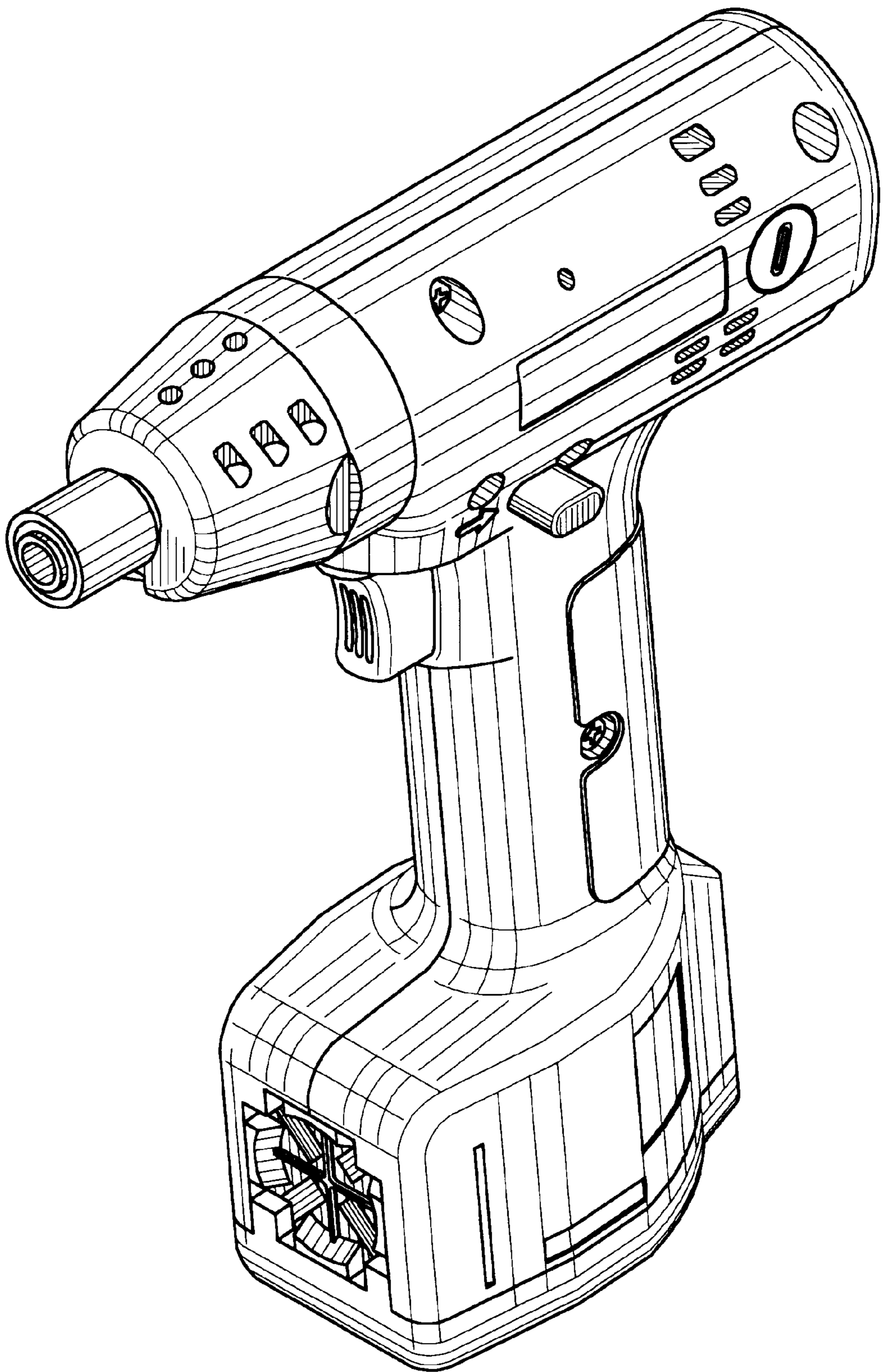


FIG. 8

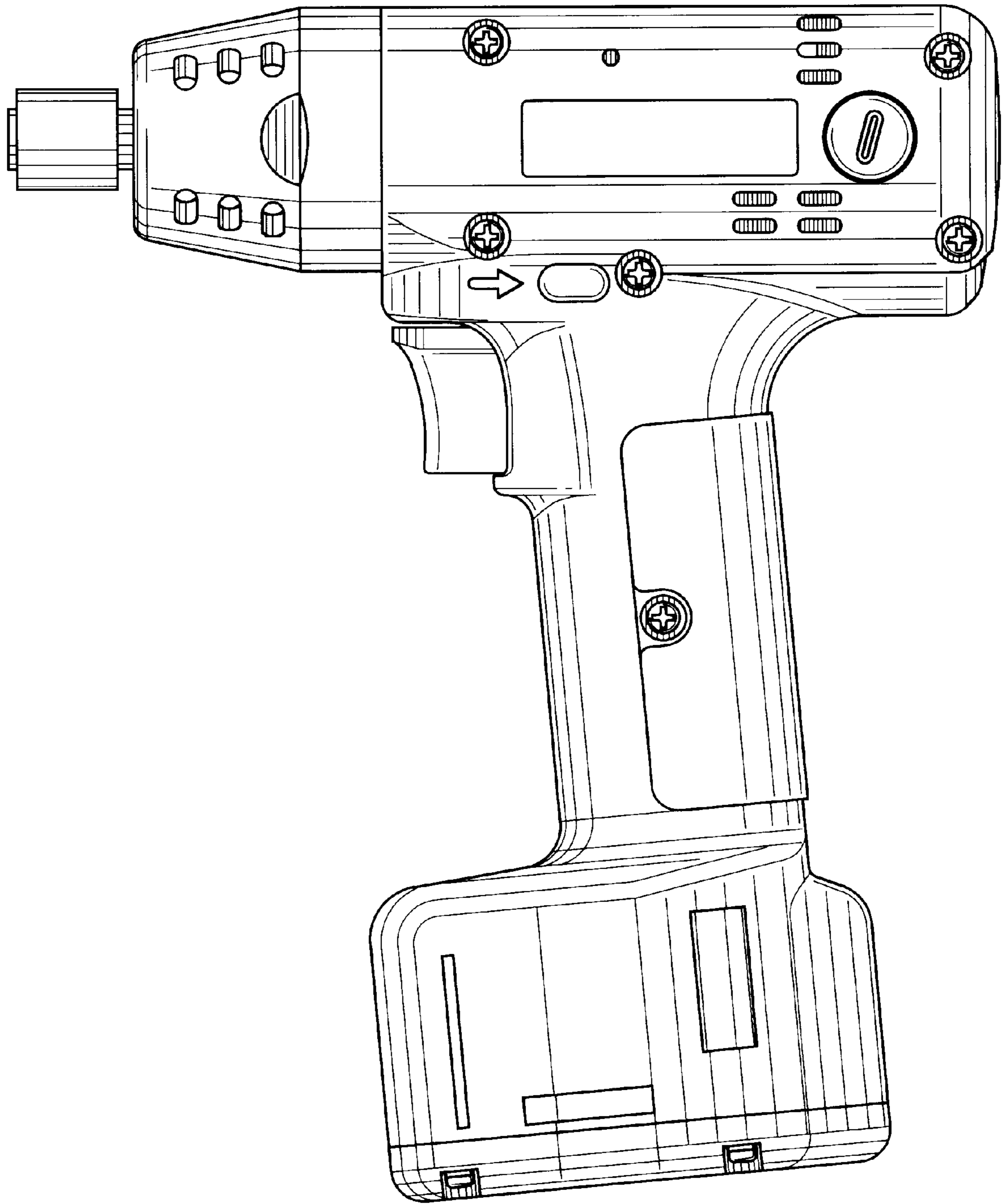


FIG. 9



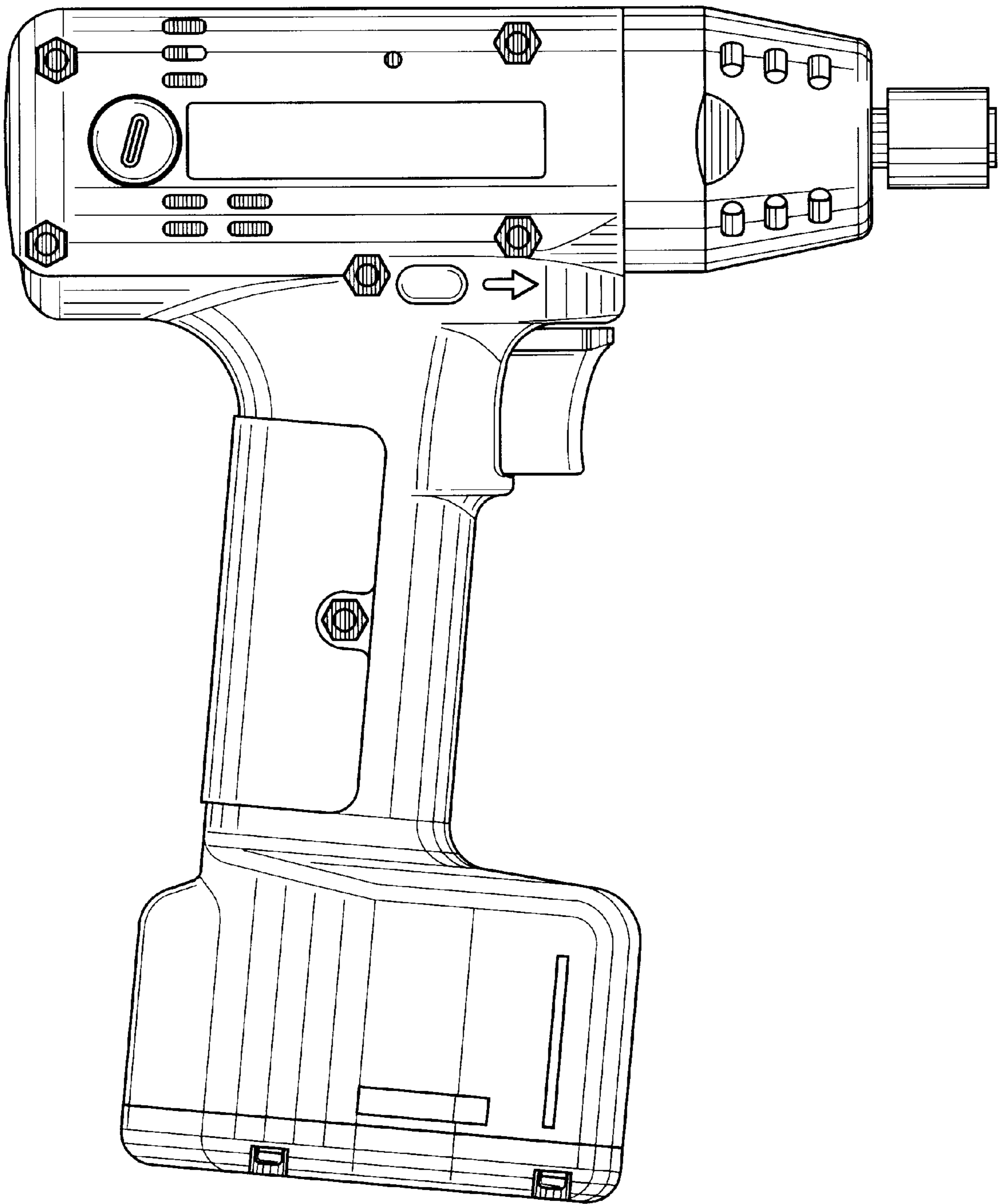


FIG. 10

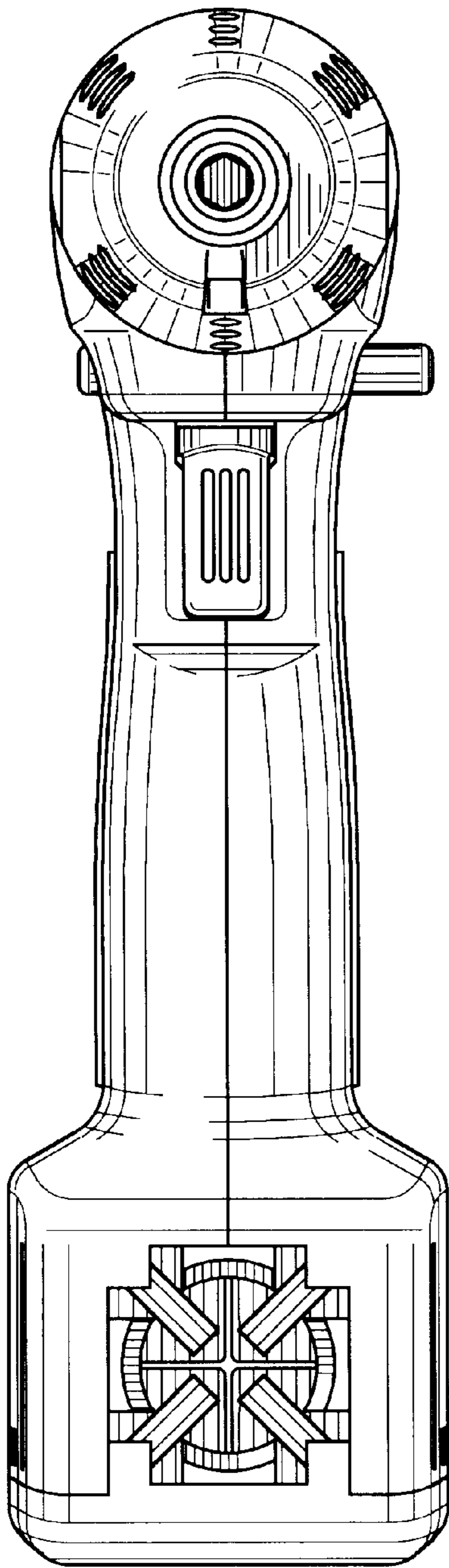


FIG. 11

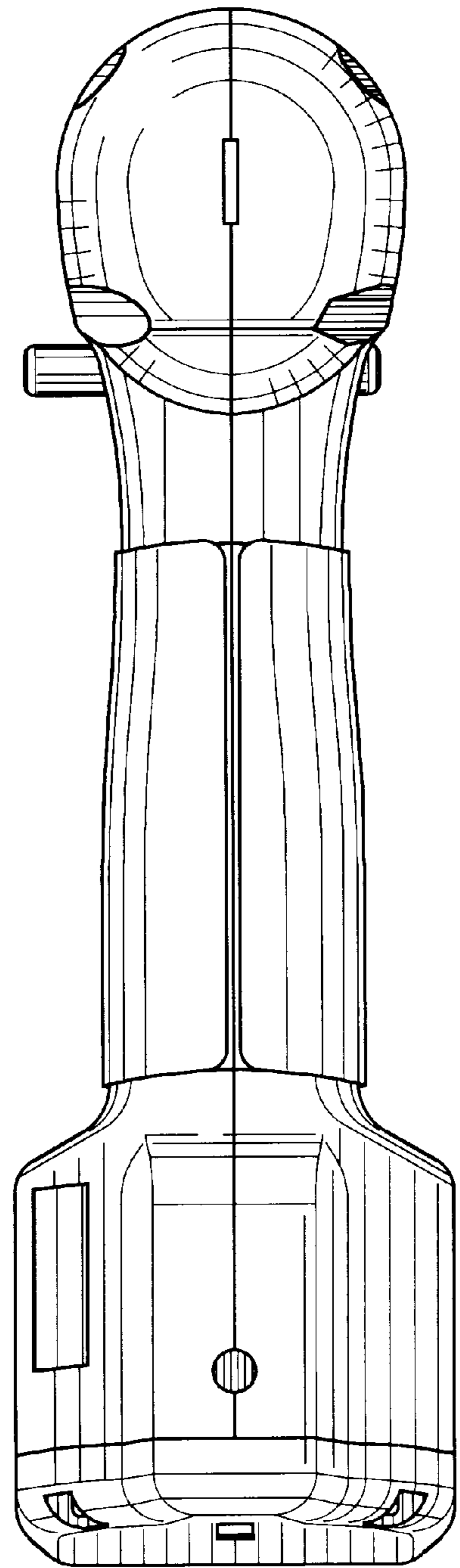


FIG. 12

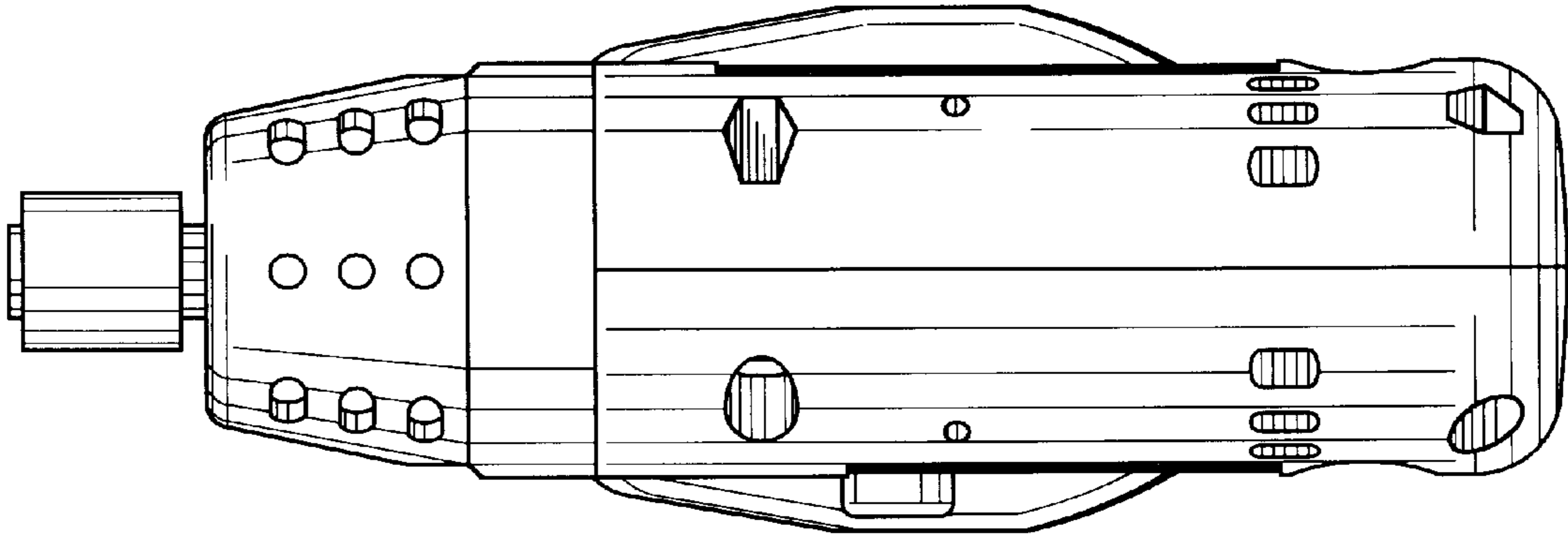


FIG. 13

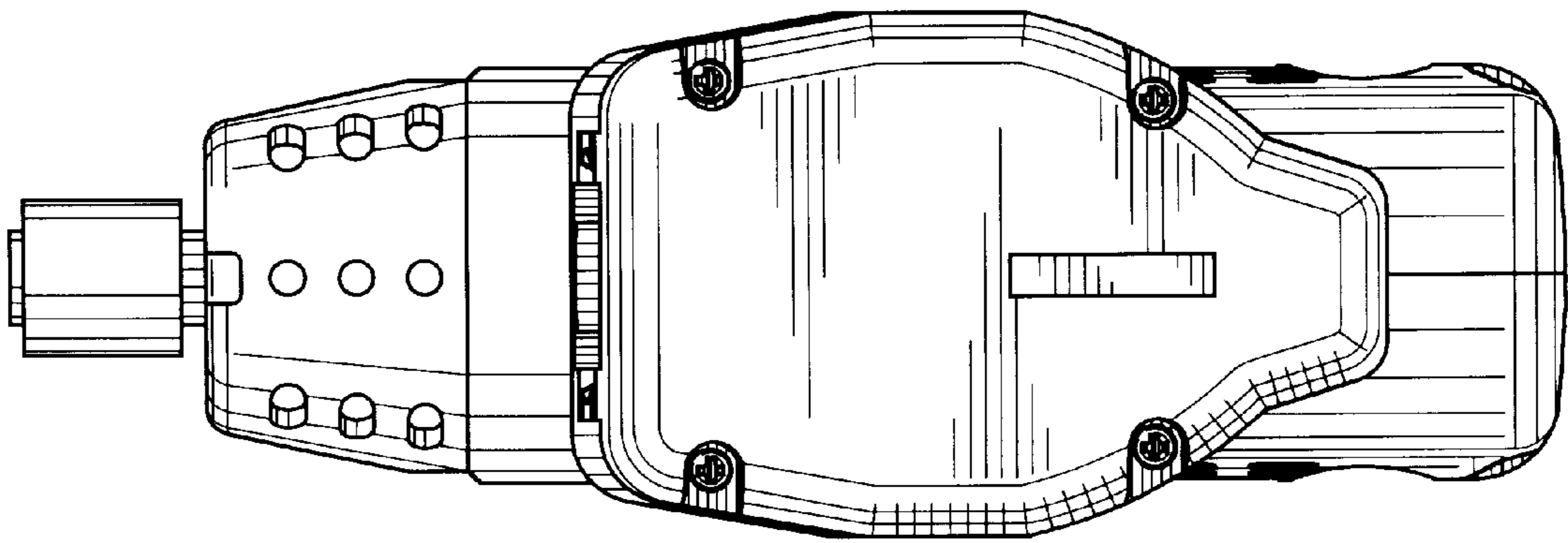


FIG. 14