



US00D411944S

**United States Patent** [19]  
**Lanz**

[11] **Patent Number: Des. 411,944**  
[45] **Date of Patent: \*\* Jul. 13, 1999**

[54] **MANUAL TRANSPLANTING TOOL**

[76] Inventor: **Gerald E. Lanz**, 309 Church St.,  
Madison, Madison County, Ala. 35758

[\*\*] Term: **14 Years**

[21] Appl. No.: **29/087,921**

[22] Filed: **May 11, 1998**

**Related U.S. Application Data**

[63] Continuation of application No. 08/794,874, Feb. 5, 1997

[60] Provisional application No. 60/011,768, Feb. 12, 1996.

[51] **LOC (6) Cl.** ..... **08-01**

[52] **U.S. Cl.** ..... **D8/7**

[58] **Field of Search** ..... D8/1, 7, 9; 111/101;  
172/22; 294/50.6, 50.8

[56] **References Cited**

**U.S. PATENT DOCUMENTS**

3,163,455	12/1964	Tuggle, Sr.	111/101
3,332,501	7/1967	Parish	111/101
4,974,682	12/1990	Hoffman	172/22
5,088,562	2/1992	Shields	172/22
5,209,534	5/1993	Crenshaw et al.	294/50.6

*Primary Examiner*—Holly Baynham  
*Attorney, Agent, or Firm*—Mark Clodfelter

[57] **CLAIM**

The ornamental design for a manual transplanting tool, as shown and described.

**DESCRIPTION**

FIG. 1 is a front view of my new manual transplanting tool.

FIG. 2 is a side view of my new manual transplanting tool. A view taken from the other side would be a mirror image thereof.

FIG. 3 is a side view of my new manual transplanting tool shown with a soil plug and plant ejector mechanism handle in a lowered position. FIGS. 1 and 2 show this handle in a raised position.

FIG. 4 is a perspective view of my new manual transplanting tool.

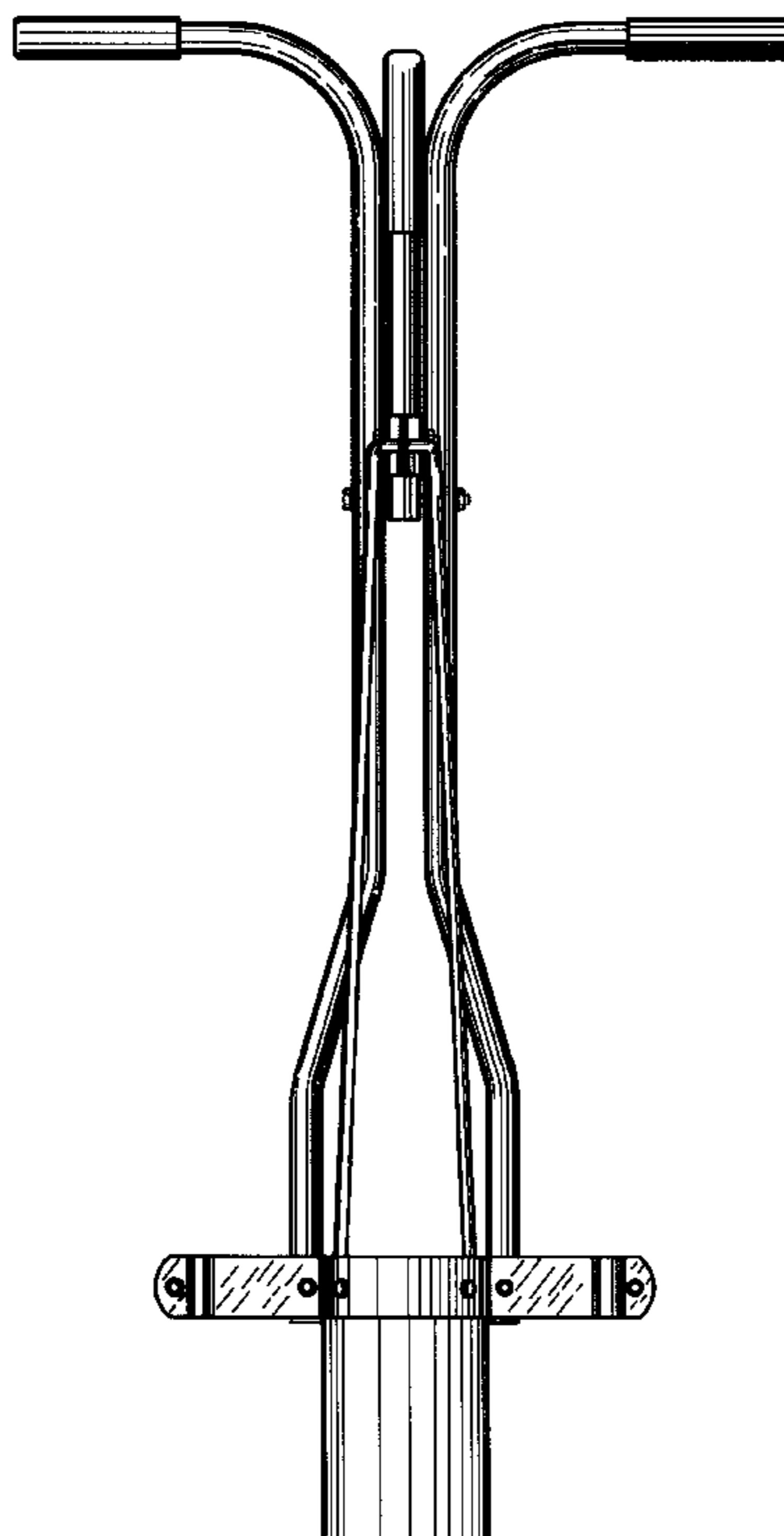
FIG. 5 is a top view of my new manual transplanting tool drawn to an enlarged scale than FIGS. 1, 2, and 3.

FIG. 6 is a bottom view of my new manual transplanting tool.

FIG. 7 is a bottom perspective view of my new manual transplanting tool showing a soil and transplant ejector in a raised position corresponding with a handle position as shown in FIGS. 1 and 2, with a top portion of the tool shown cut away for clarity of illustration; and,

FIG. 8 is a bottom perspective view of my new manual transplanting tool showing the soil and transplant ejector in a lowered position corresponding with a handle position as shown in FIG. 3, with a top portion of the tool shown cut away for clarity of illustration.

**1 Claim, 7 Drawing Sheets**



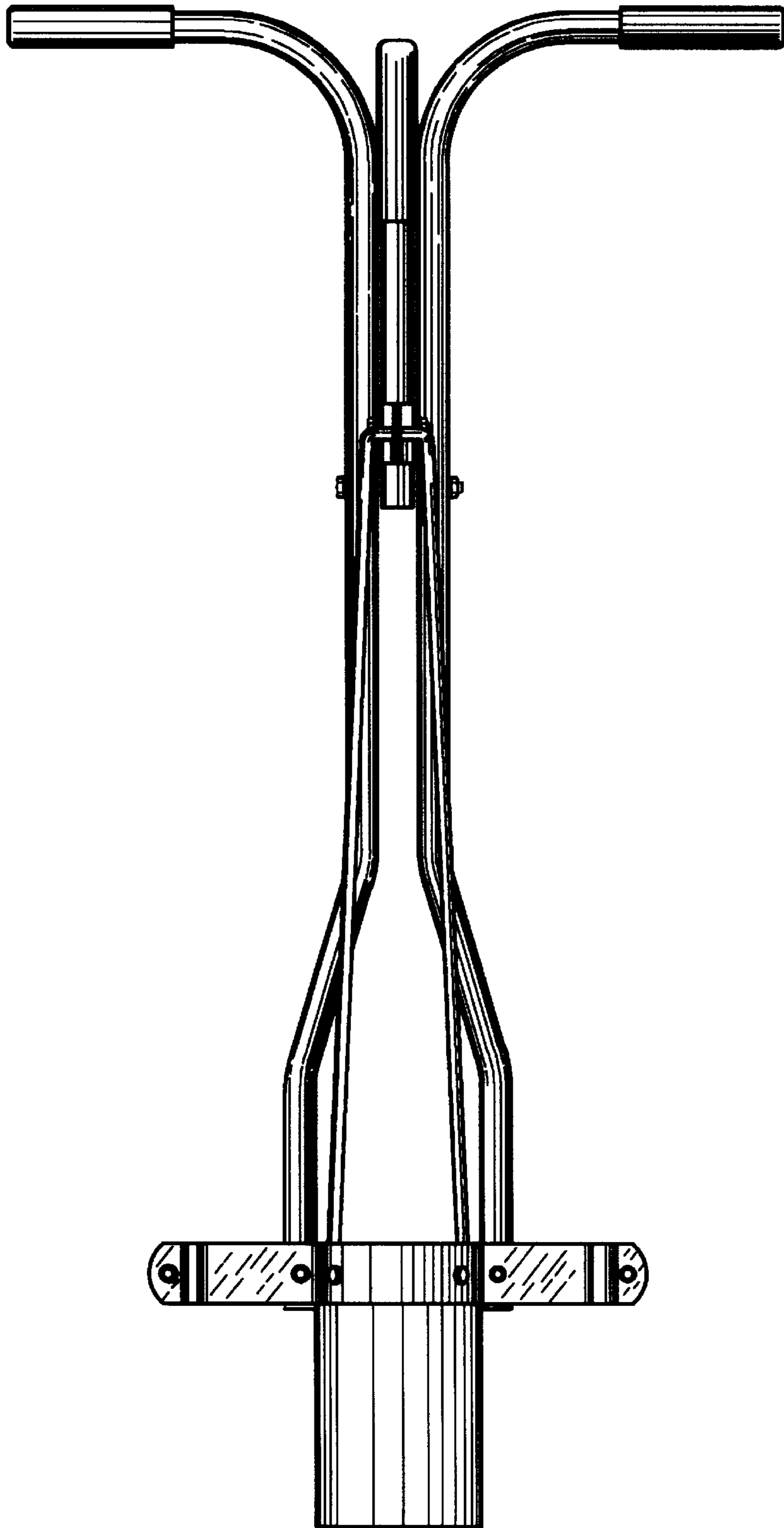


FIG. 1

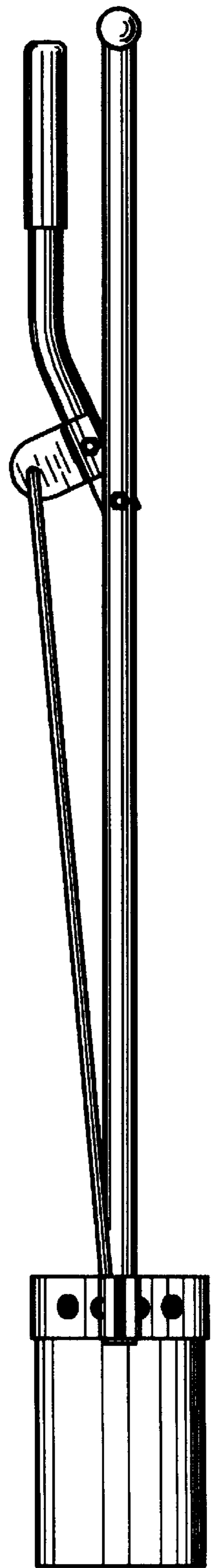


FIG. 2

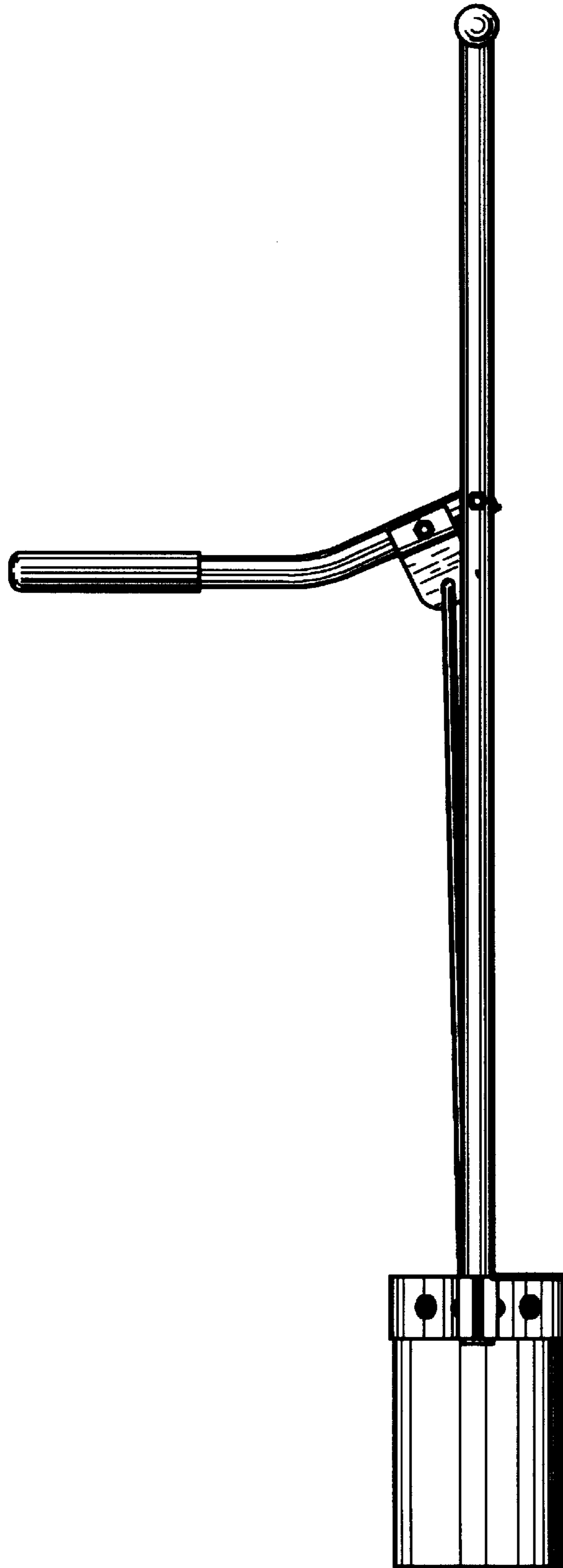


FIG. 3

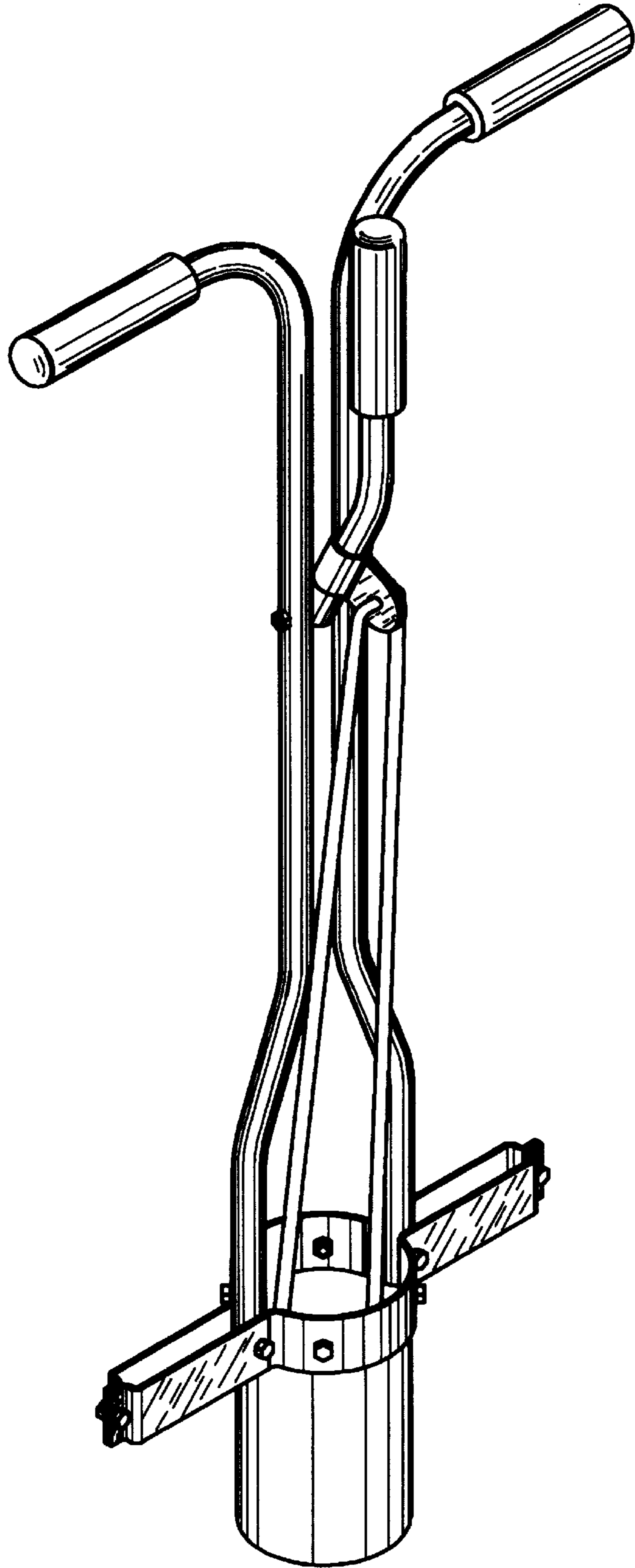


FIG. 4

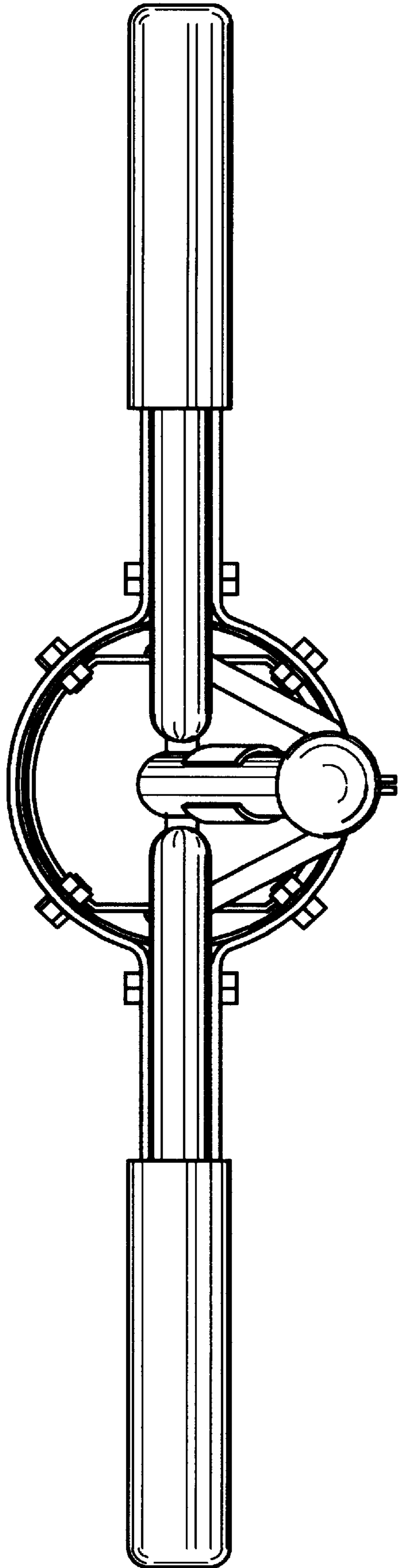


FIG. 5

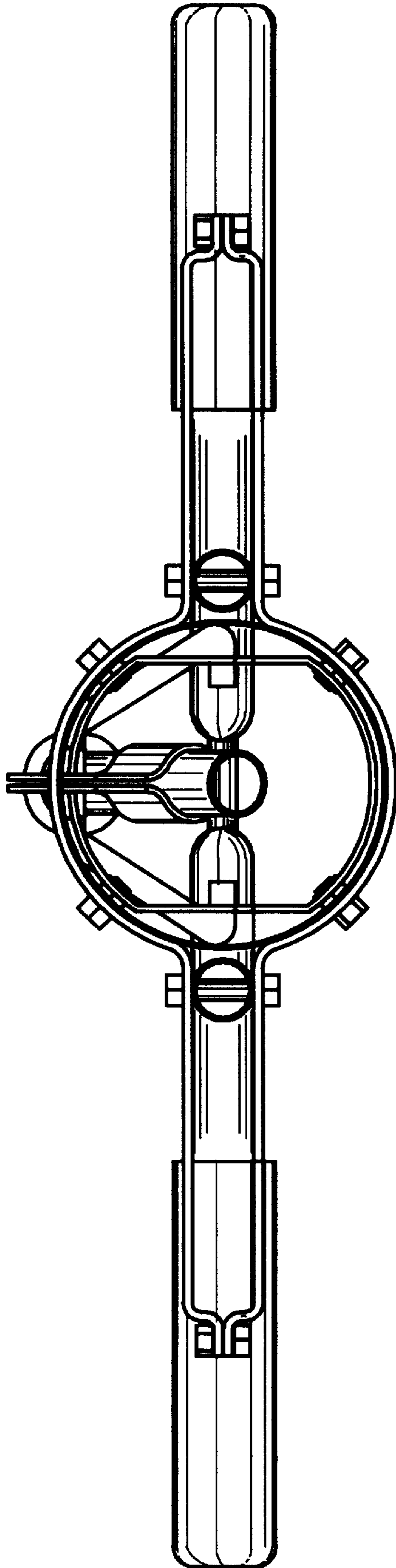


FIG. 6

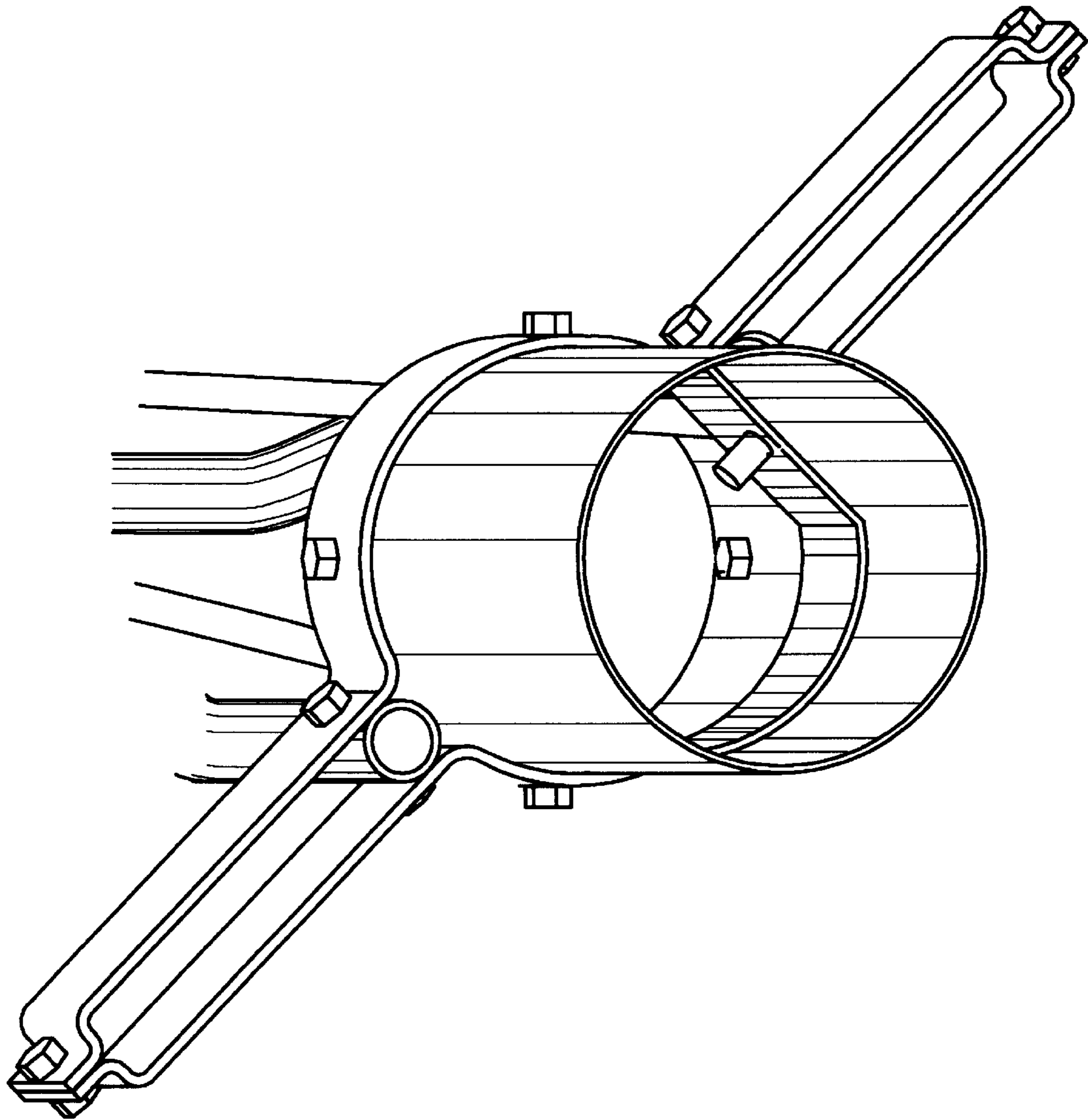


FIG. 7

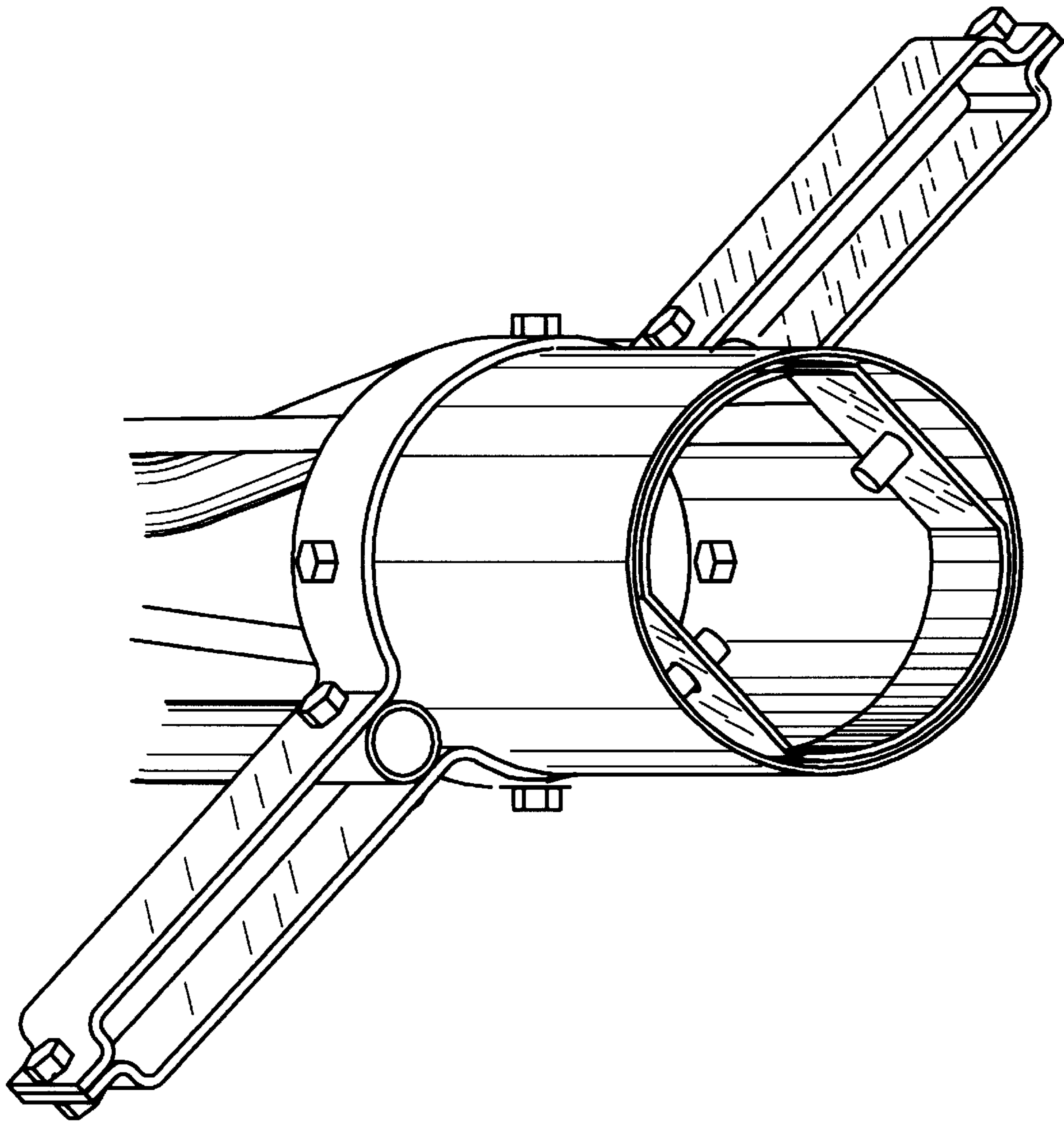


FIG. 8