



US00D411943S

United States Patent [19] Beaver

[11] Patent Number: Des. 411,943

[45] Date of Patent: ** Jul. 13, 1999

[54] LEAF PICK UP TOOL

[76] Inventor: Norman E. Beaver, 38 Spring Rd., Malvern, Pa. 19355

[**] Term: 14 Years

[21] Appl. No.: 29/093,389

[22] Filed: Sep. 10, 1998

[51] LOC (6) Cl. 08-01

[52] U.S. Cl. D8/1

[58] Field of Search D8/4, 10; 294/50.8, 294/118, 50.9, 54.5; 56/400.12

[56] **References Cited**

U.S. PATENT DOCUMENTS

1,762,486	6/1930	Roden	294/50.8
4,813,728	3/1989	Genser	294/50.8
4,953,347	9/1990	Siegfried	294/50.8
5,727,828	3/1998	Jones	294/50.8

Primary Examiner—Holly Baynham

[57] **CLAIM**

The ornamental design for a leaf pick up tool, as shown.

DESCRIPTION

FIG. 1 is a front elevational view of the leaf pick up tool of the present invention;

FIG. 2 is a back elevational view of the leaf pick up tool of FIG. 1;

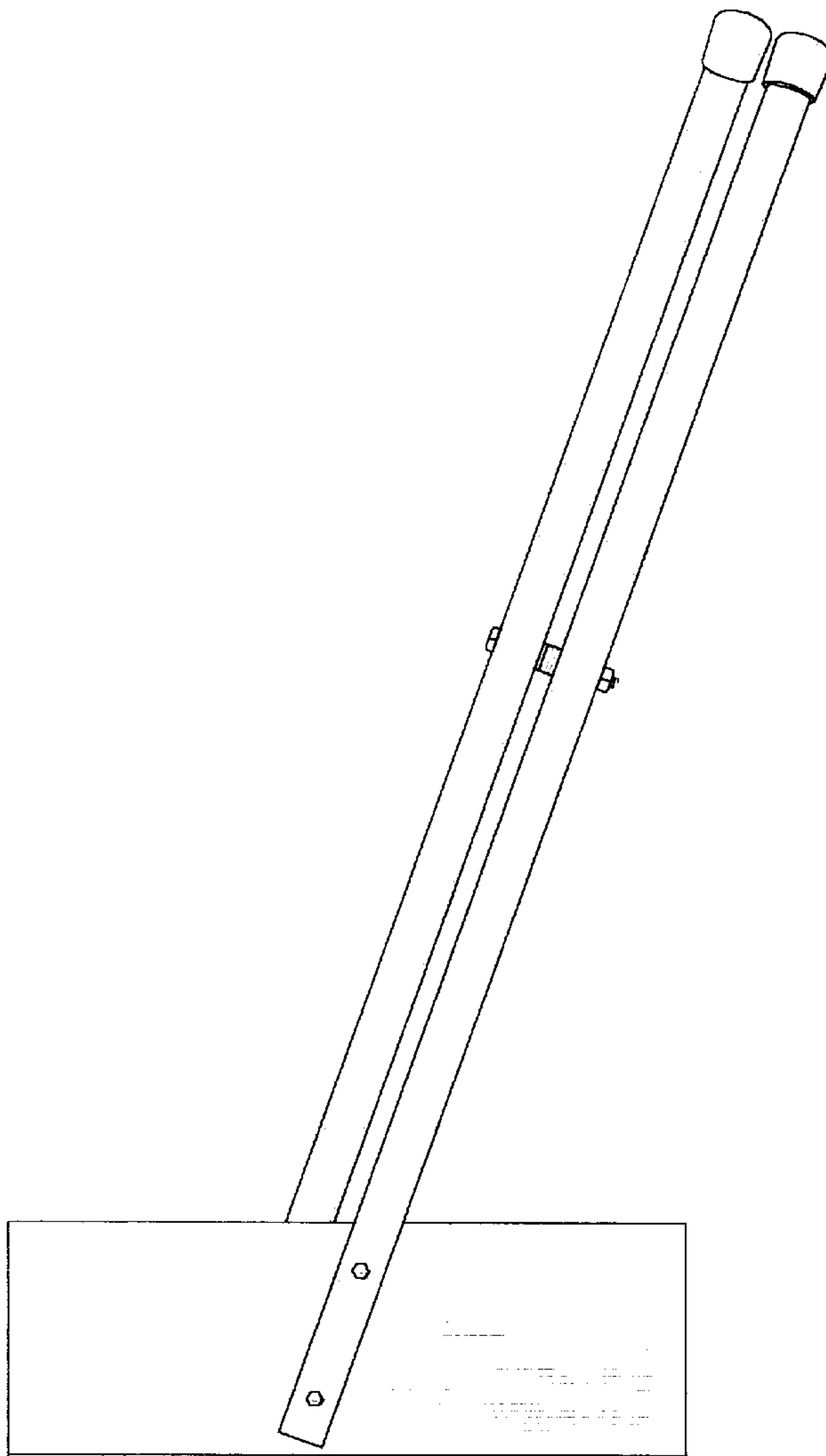
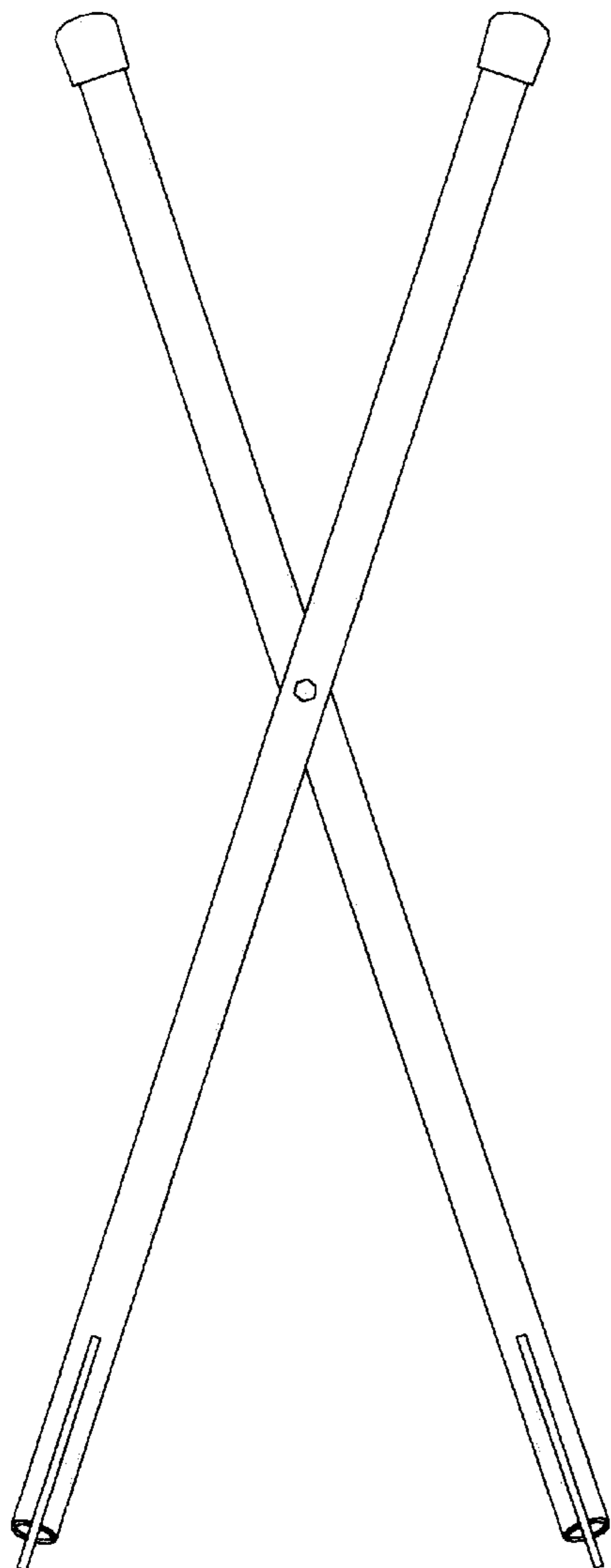
FIG. 3 is a left side elevational view of the leaf pick up tool of FIG. 1;

FIG. 4 is a right side elevational view of the leaf pick up tool of FIG. 1;

FIG. 5 is a top plan view of the leaf pick up tool of FIG. 1; and,

FIG. 6 is a bottom plan view of the leaf pick up tool of FIG. 1.

1 Claim, 3 Drawing Sheets



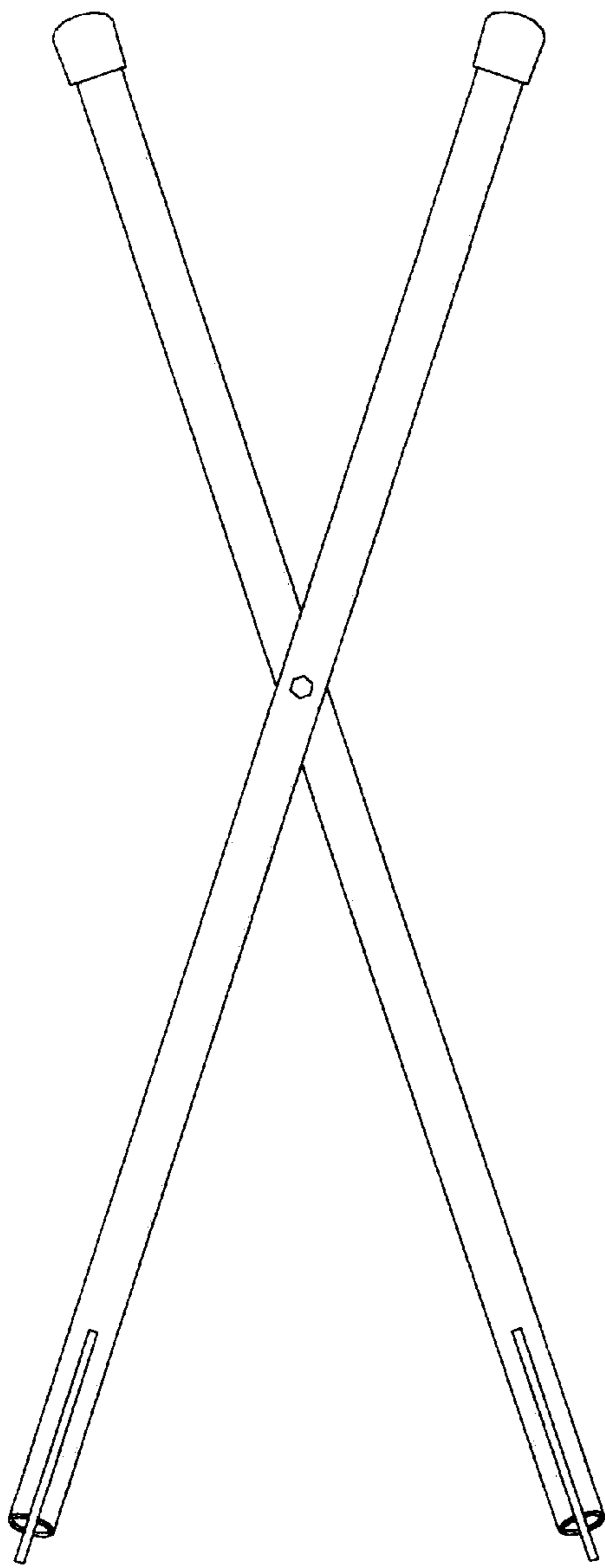


Fig. 1

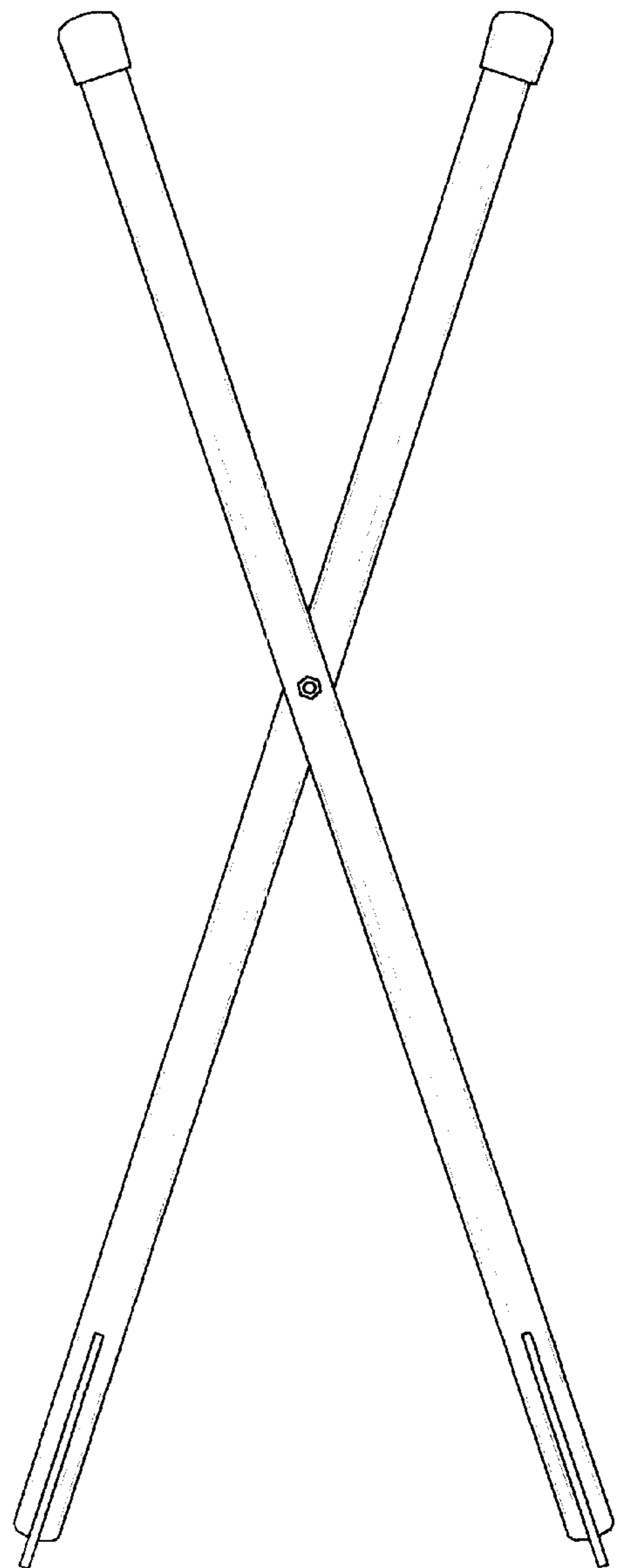


Fig. 2

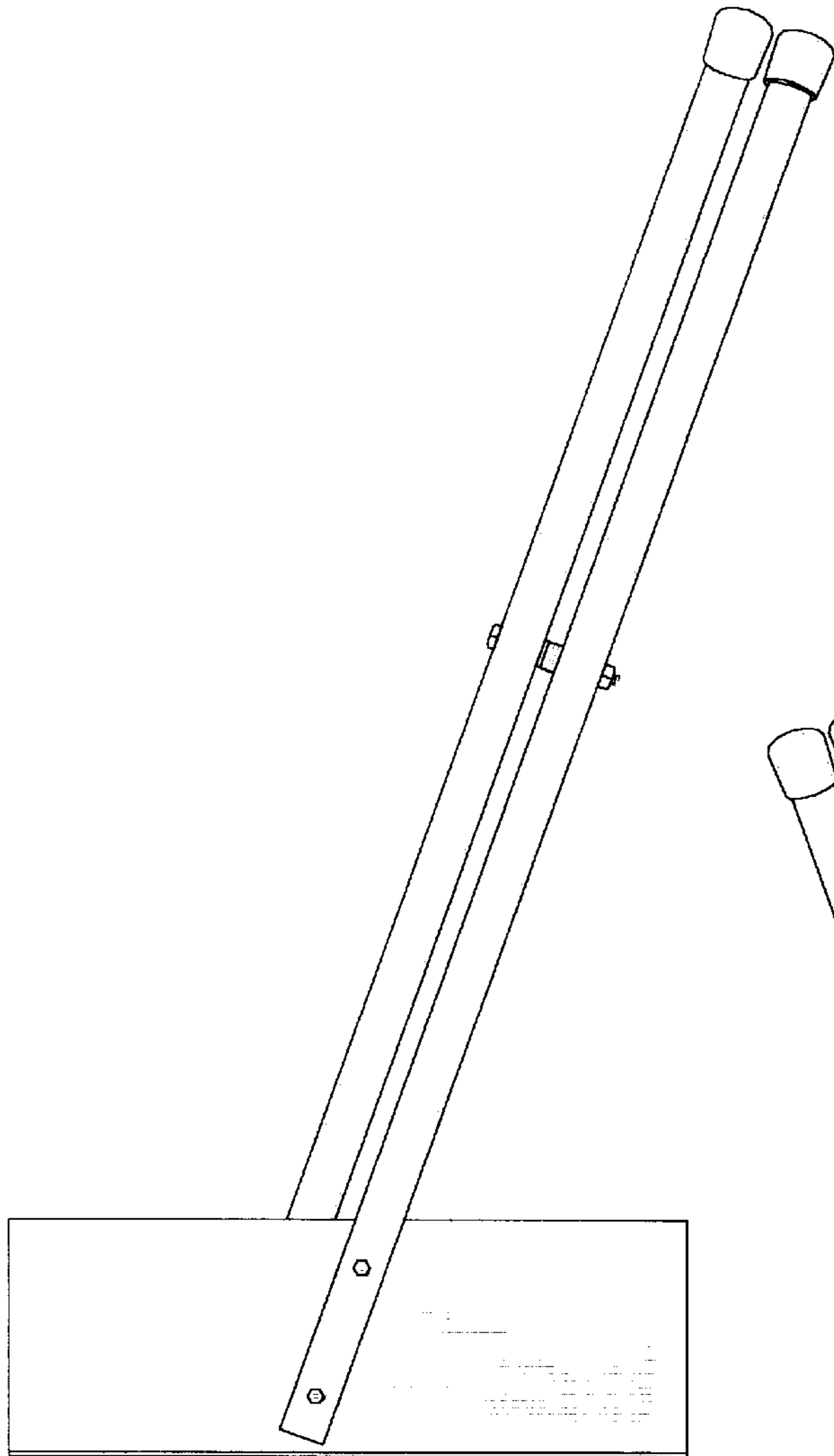


Fig. 3

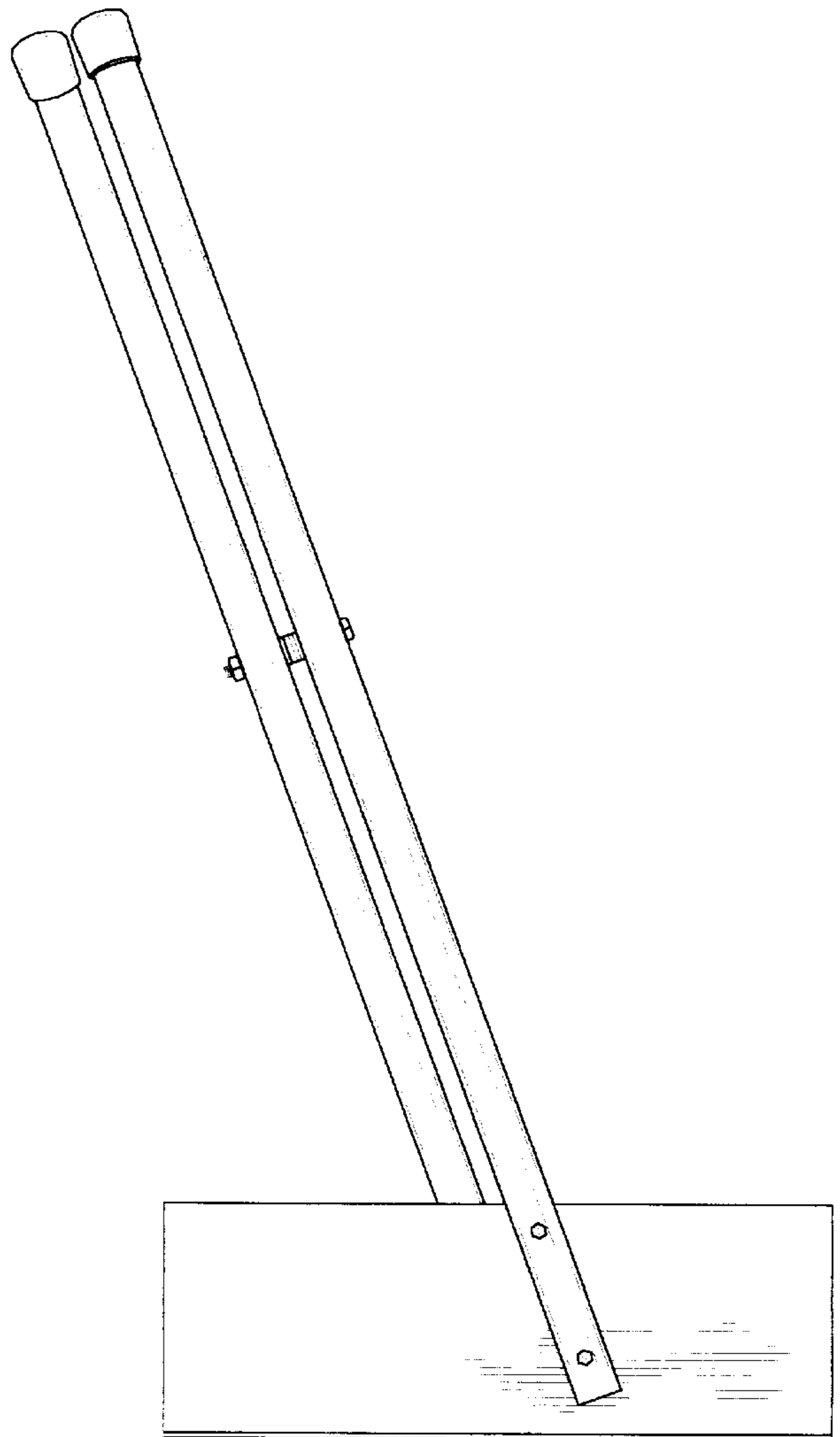


Fig. 4

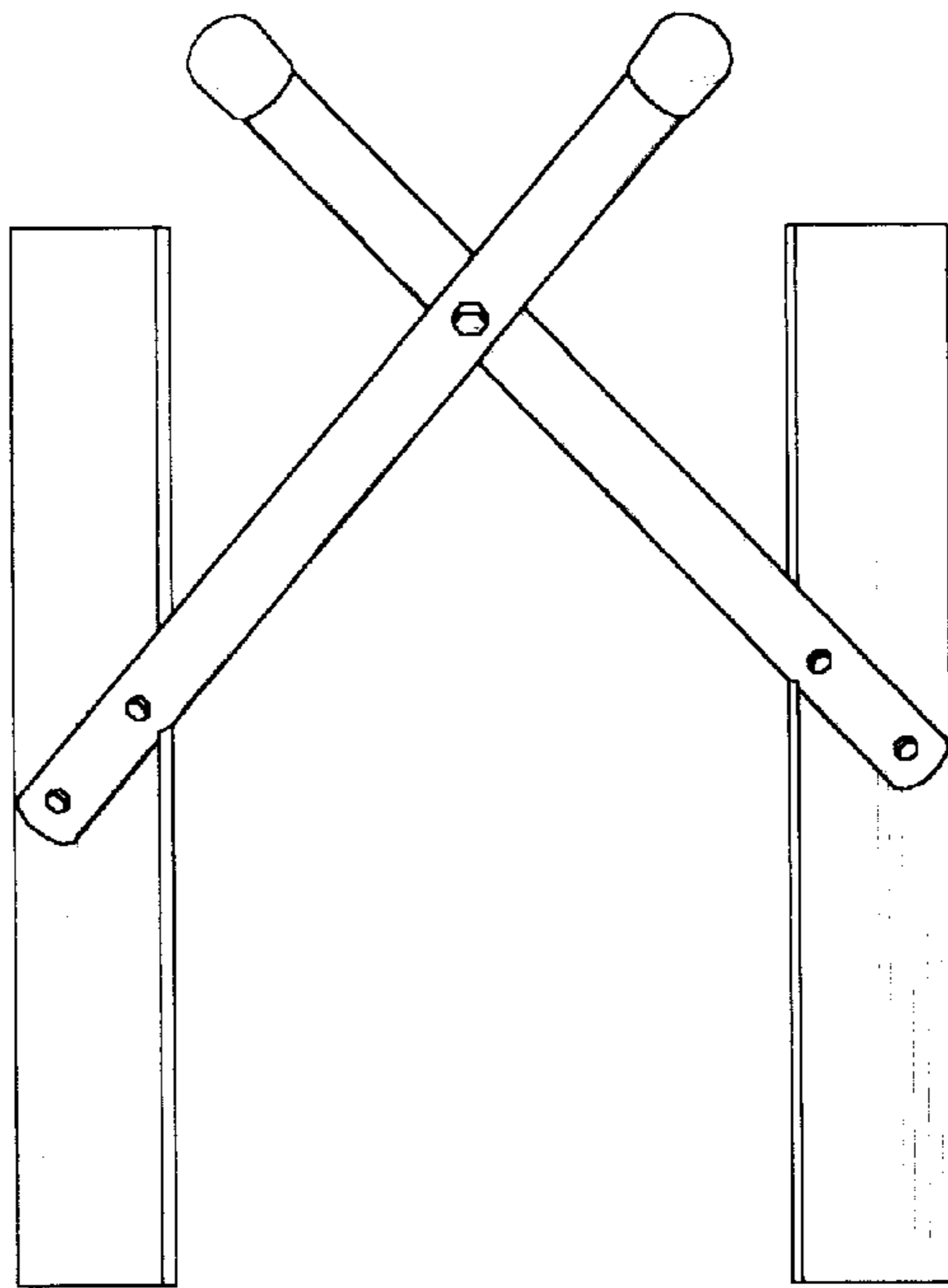


Fig. 5

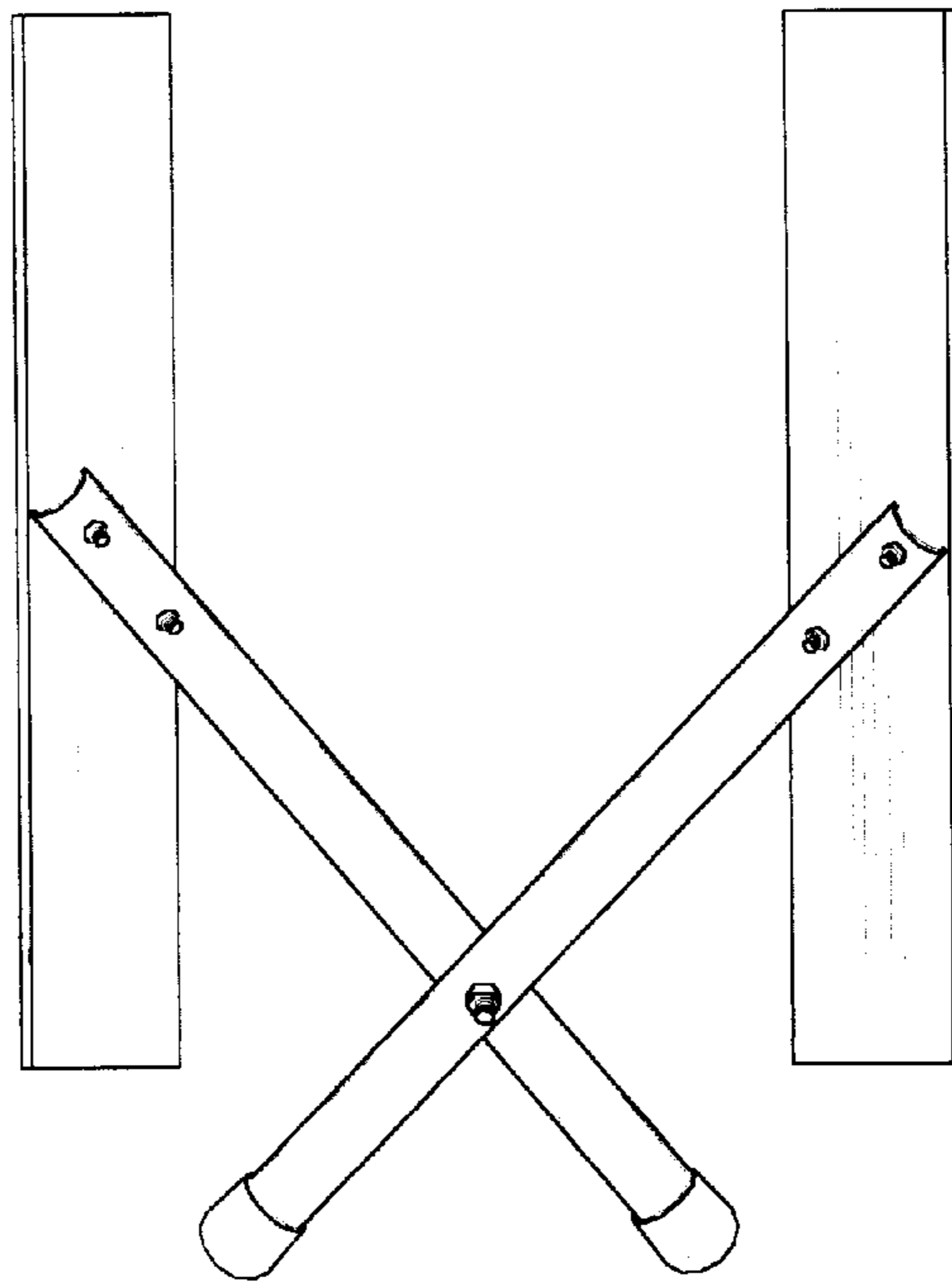


Fig. 6