



US00D411936S

United States Patent [19] Keffel

[11] Patent Number: Des. 411,936

[45] Date of Patent: ** Jul. 13, 1999

[54] ELECTRIC COFFEE MAKER

[75] Inventor: Guido Keffel, Bielefeld, Germany

[73] Assignee: Robert Krups GmbH & Co. KG,
Solingen, Germany

[**] Term: 14 Years

[21] Appl. No.: 29/073,192

[22] Filed: Jul. 3, 1997

[30] Foreign Application Priority Data

Jan. 3, 1997 [FR] France 970013

[51] LOC (6) Cl. 07-01

[52] U.S. Cl. D7/309; D7/310; D7/31

[58] Field of Search D7/300, 305, 309,
D7/310, 311, 307; 99/293, 295

[56] References Cited

U.S. PATENT DOCUMENTS

D. 336,000 6/1993 Barrault D7/309

D. 355,562 2/1995 De Felip D7/309

D. 371,037 6/1996 De Felip D7/309

D. 377,576 1/1997 Ameil D7/307

D. 386,038 11/1997 Delaey D7/309

D. 390,060 2/1998 Seiffert D7/309

Primary Examiner—M. N. Pandozzi
Attorney, Agent, or Firm—Darby & Darby

[57] CLAIM

The ornamental design for an electric coffee maker, as shown.

DESCRIPTION

FIG. 1 is a top, right side perspective view of an electric coffee maker showing my new design; FIG. 2 is a front elevational view thereof; FIG. 3 is a rear elevational view thereof; FIG. 4 is a right side elevational view thereof; FIG. 5 is a left side elevational view thereof; FIG. 6 is a top plan view thereof; and, FIG. 7 is a bottom plan view thereof.

The broken lines in FIGS. 1, 2, 3, 4, 5, and 7 are for illustrative purposes only and forms no part of the claimed design.

1 Claim, 6 Drawing Sheets

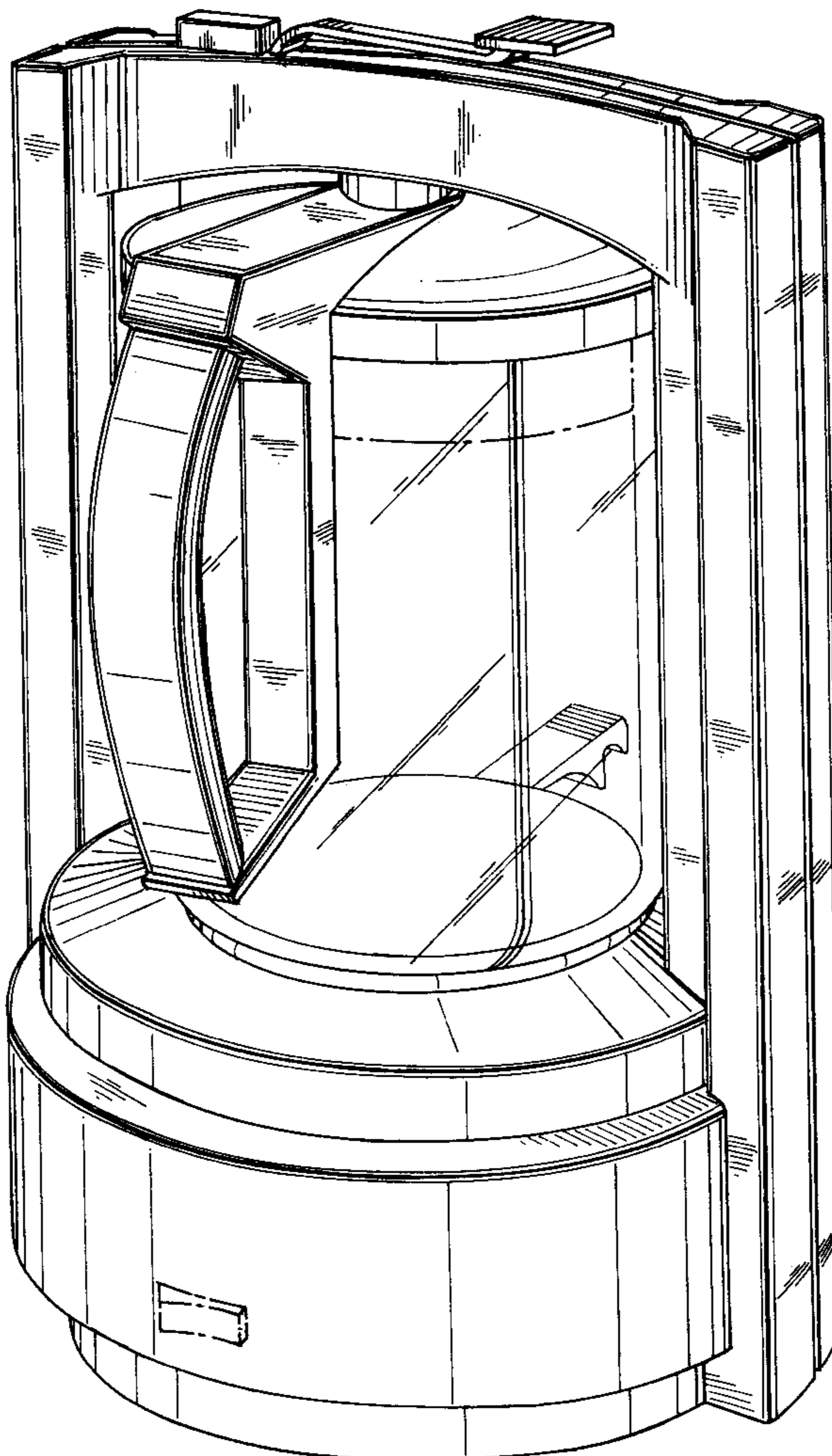


FIG. 1

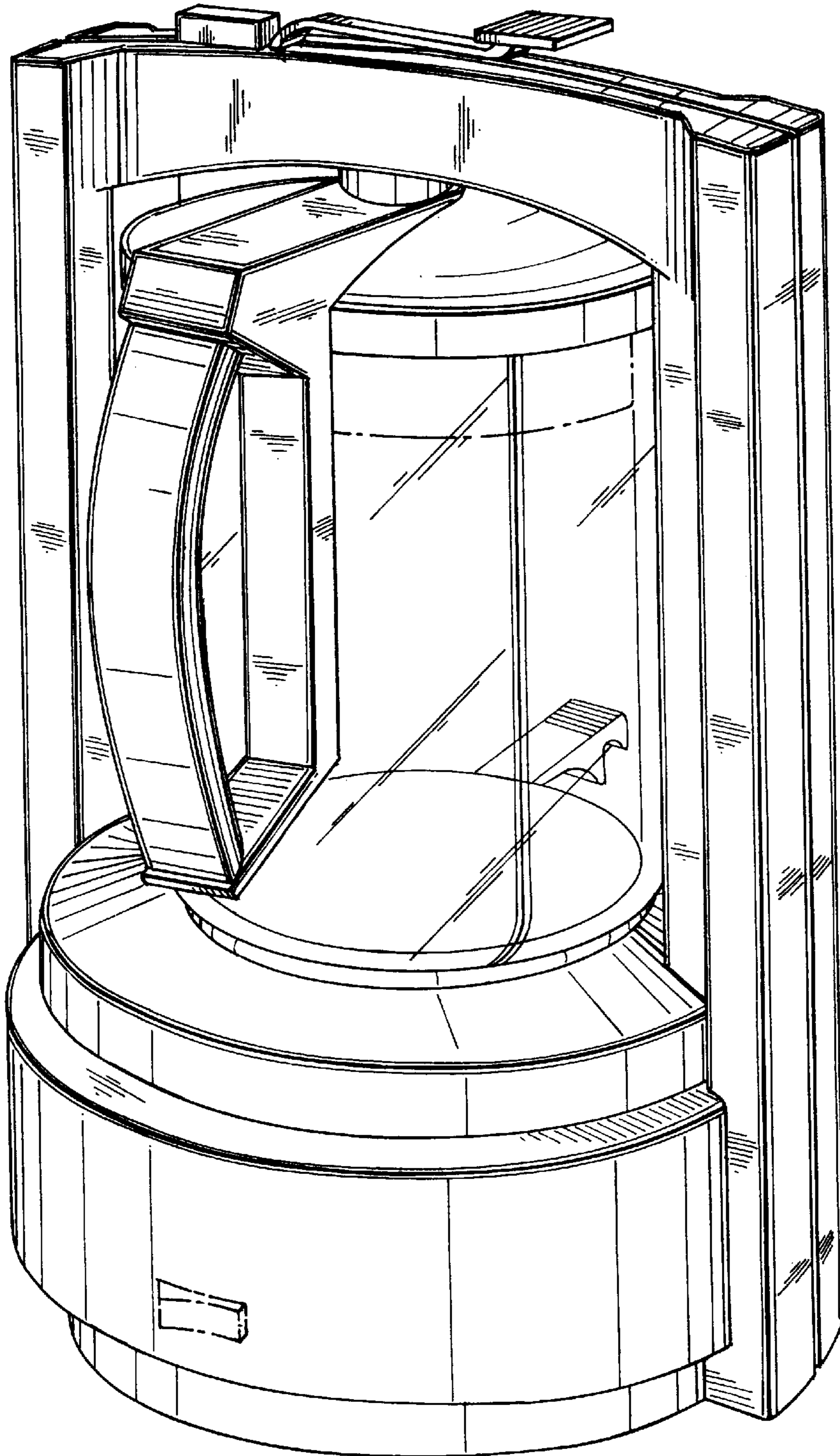


FIG. 2

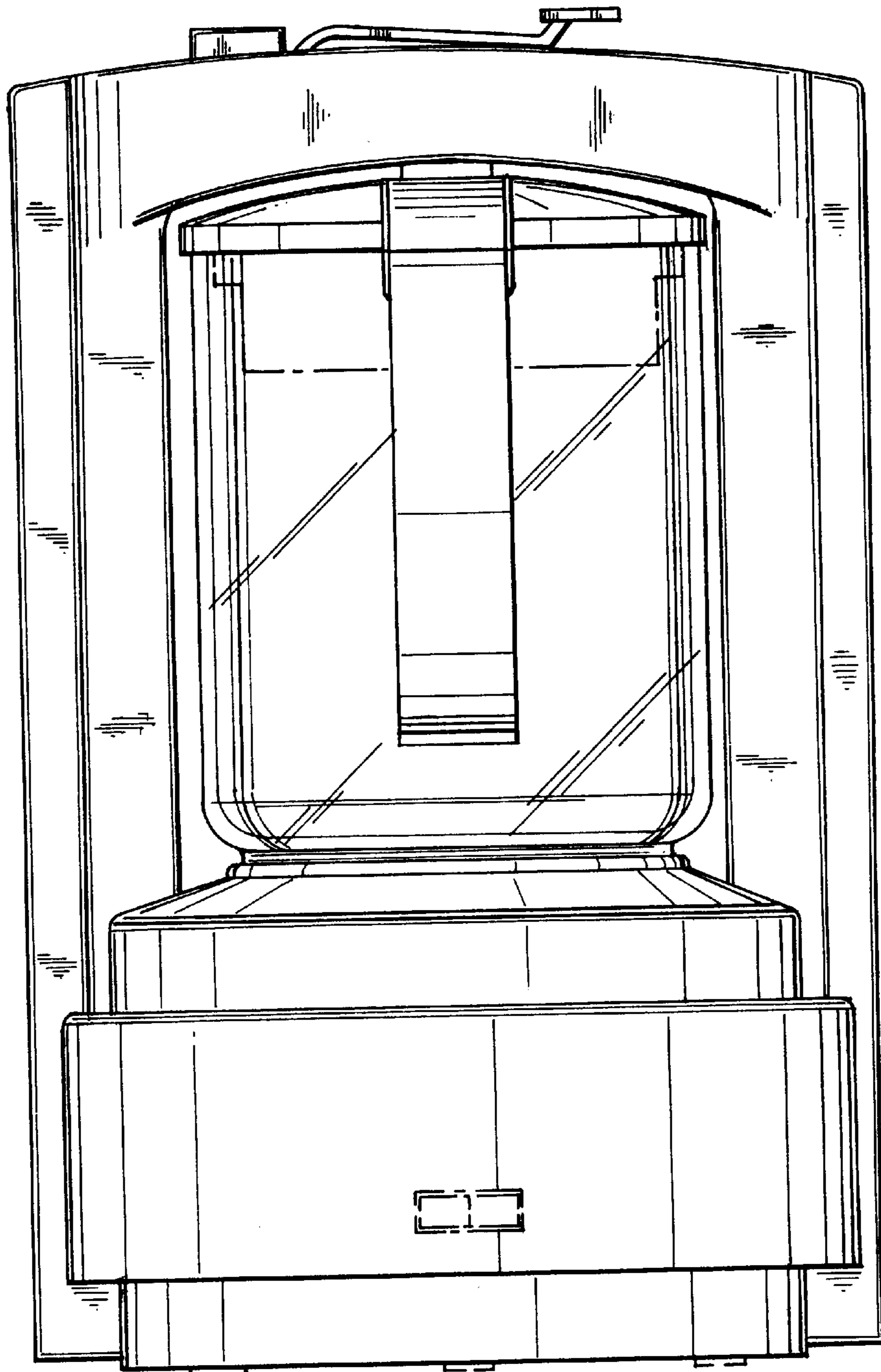


FIG. 3

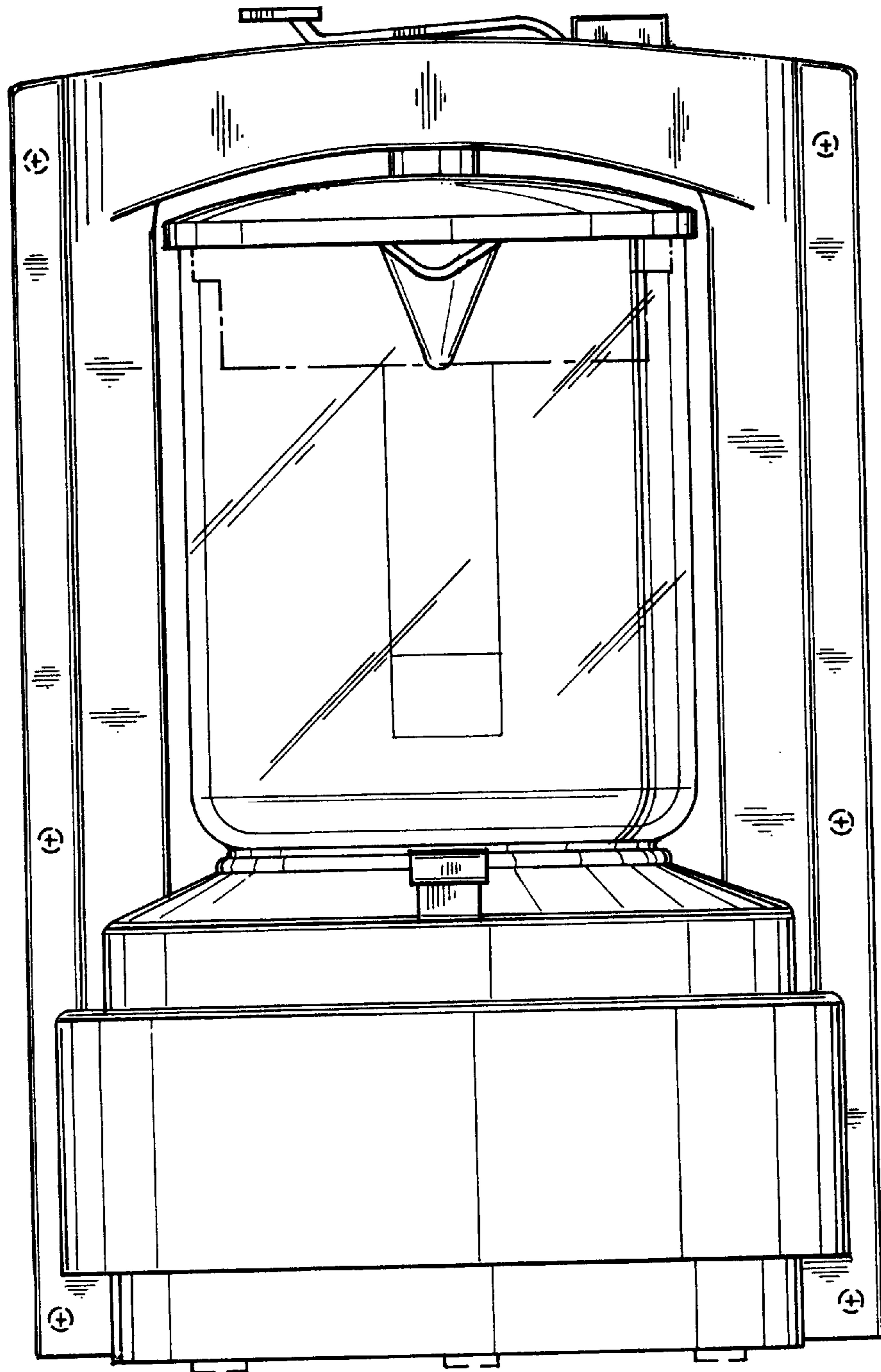


FIG. 4

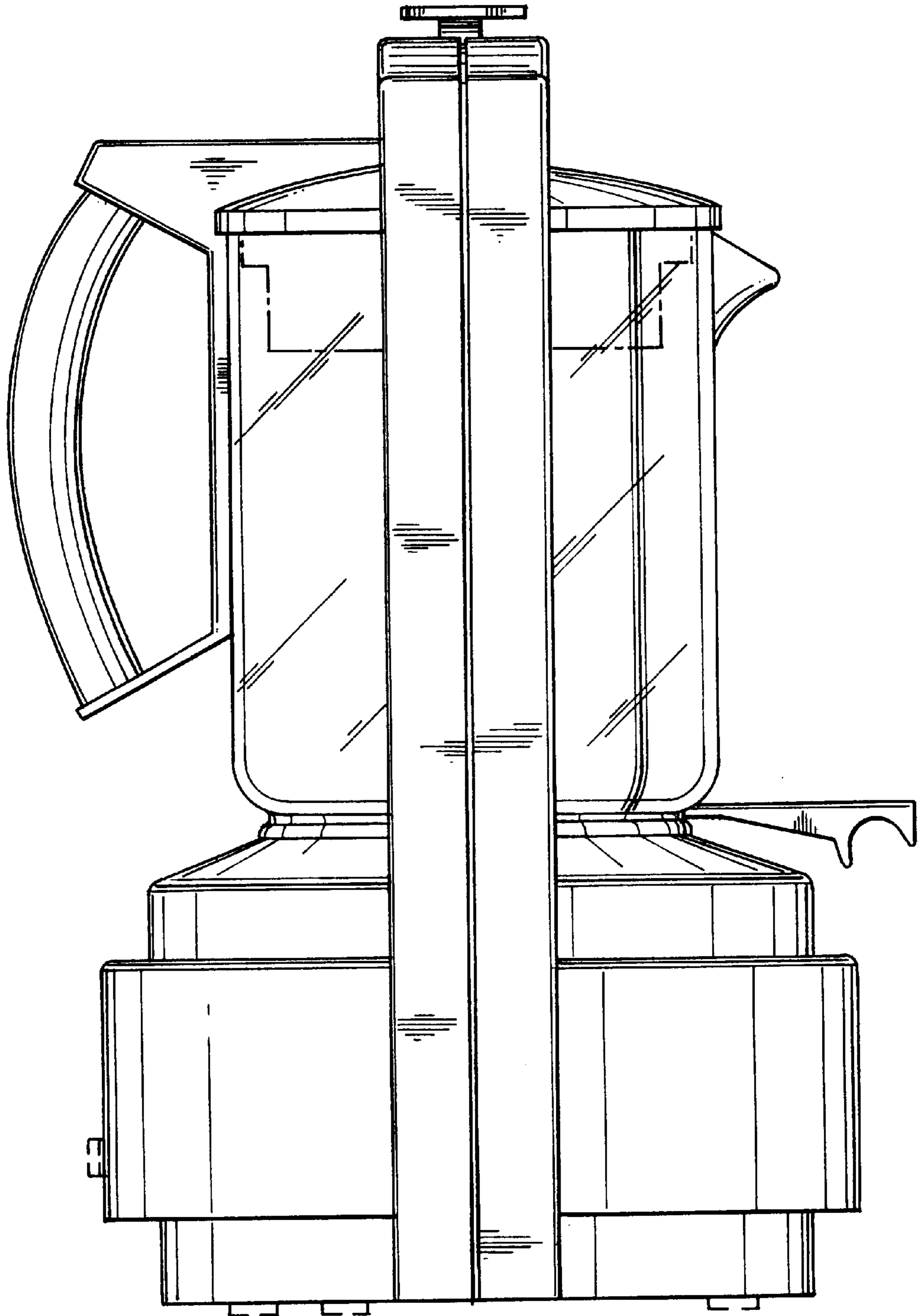


FIG. 5

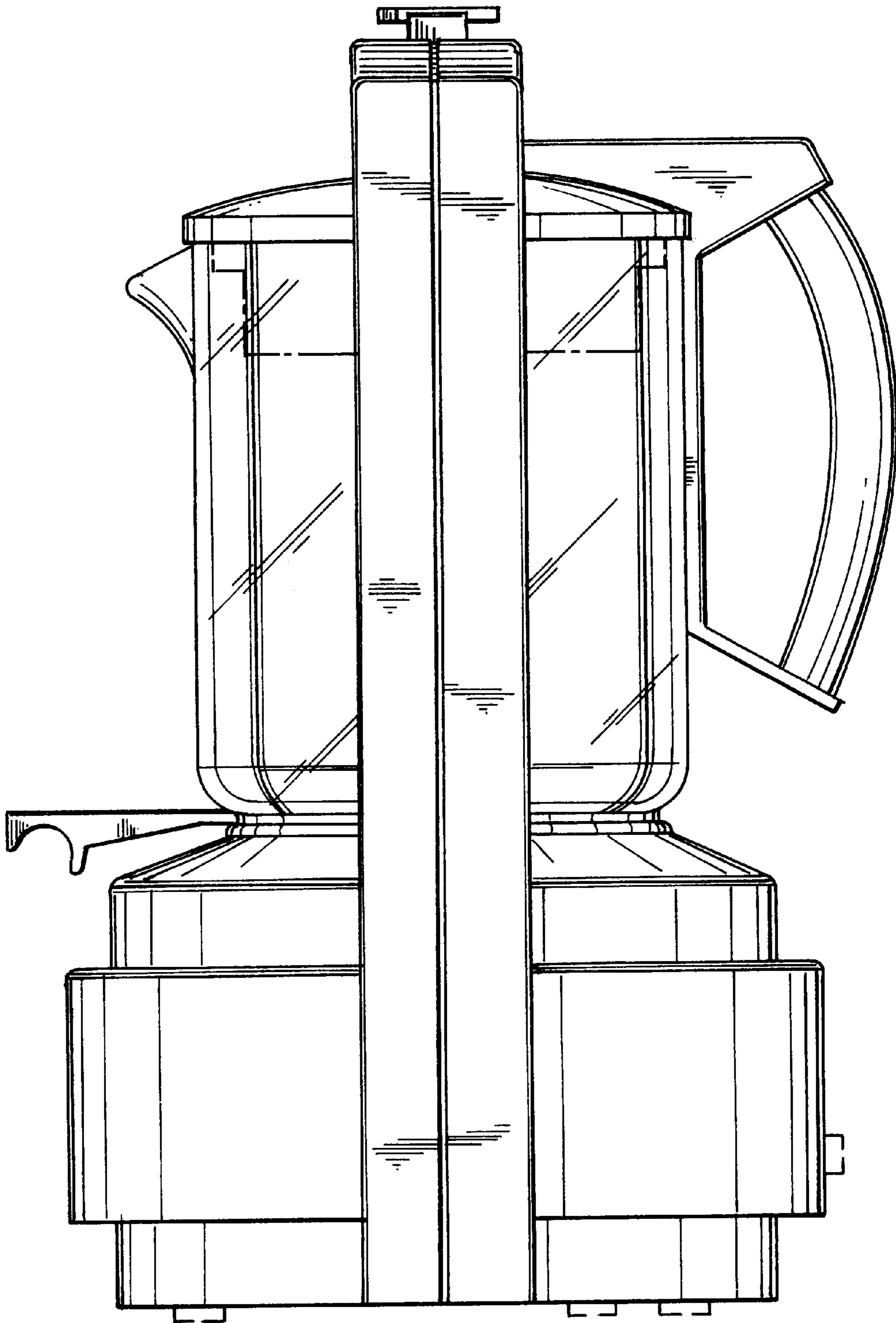


FIG. 6

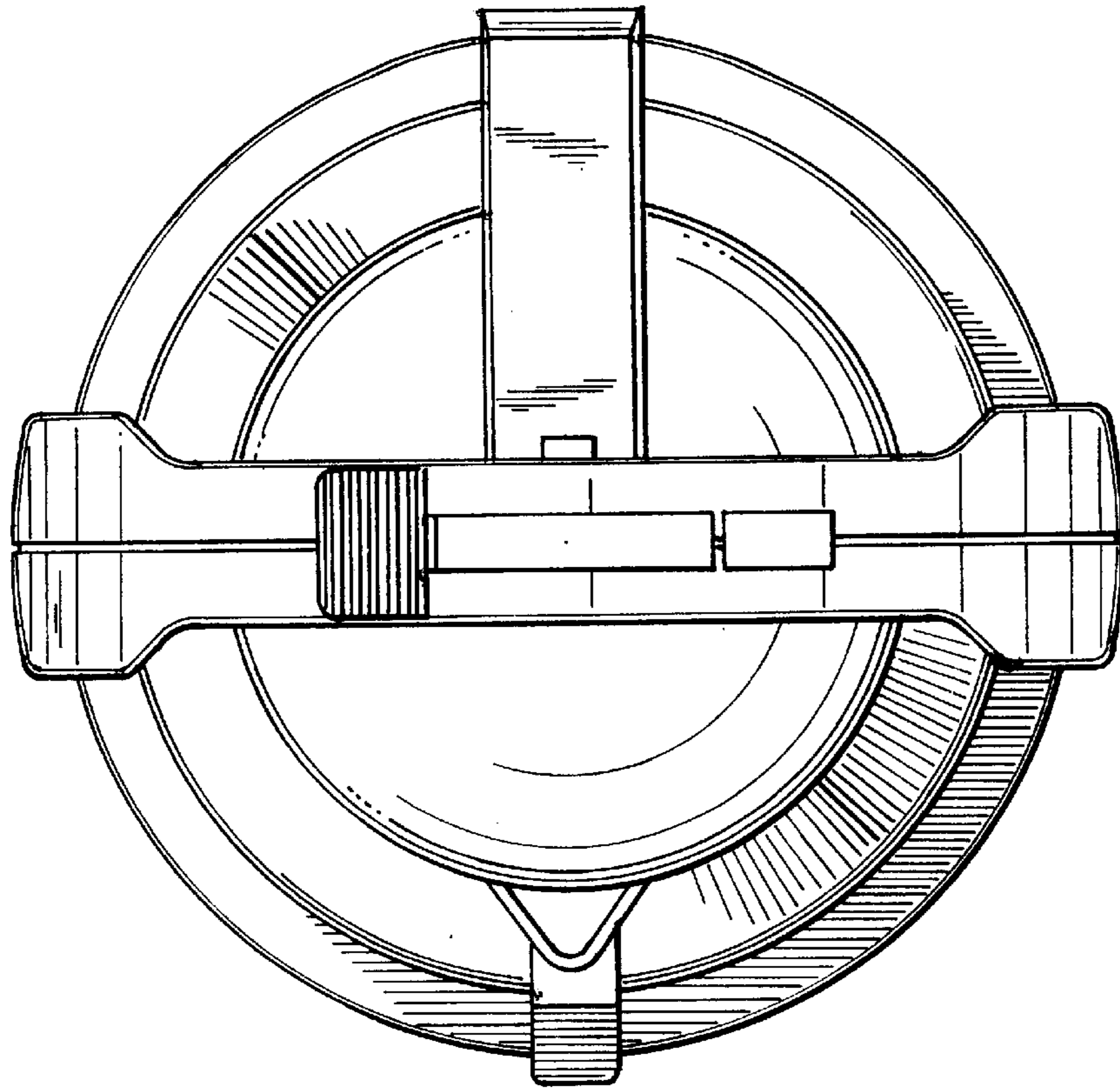


FIG. 7

