



US00D411935S

United States Patent [19]
Roundtree

[11] **Patent Number: Des. 411,935**
[45] **Date of Patent: ** Jul. 13, 1999**

[54] **FLUID DISPENSER TWIN TOWER**

[75] Inventor: **Stephan K. Roundtree**, Dunstable, Mass.

[73] Assignee: **Stainless Services LLC**, Meriden, Conn.

[**] Term: **14 Years**

[21] Appl. No.: **29/076,105**

[22] Filed: **Sep. 2, 1997**

Related U.S. Application Data

- [51] **LOC (6) Cl.** **07-01**
- [52] **U.S. Cl.** **D7/307; D7/308; D7/397**
- [58] **Field of Search** **D7/307, 308, 306, D7/300, 312, 397, 398, 302; 222/129.1, 129.2, 129.3**

[56] **References Cited**

U.S. PATENT DOCUMENTS

D. 199,955	1/1965	Cornelius et al.	D7/397
D. 301,193	5/1989	Schechter et al.	D7/308
D. 305,857	2/1990	Schechter et al.	D7/397
5,433,348	7/1995	Deering et al.	222/129.1

OTHER PUBLICATIONS

1996 Master Catalog, Rapids Wholesale Equipment Co., Cedar Rapids, IA Beer/Bar/Beverage, Tower Dispenser, 1996, pp. B3,B6,B8,B9,B32,6,7,8. Exhibit 1.
 Foxx Equipment Company, Kansas City, MI, Serving The Beverage Dispensing Ind., Tower Dispenser, 1996-97, pp. 67, 69, 103, 106, 107. Exhibit 2.

1996 Ajax USA, Inc., Denver, CO, The Coors Draught Equipment and Services Catalog Tower Dispenser, 1996, vol. 2, pp. 13, 34, 37. Exhibit 3.

Banner Equipment Company, Franklin Park, Illinois, Build A Better Bar, Tower Dispenser, pp. 1, 2, 3, 4, 5, 6, 7. Exhibit 4.

Banner Equipment Company, Franklin Park, IL, Banner's Exclusive Sports Dispensers, Tower Dispenser, pp. 1, 2, 3, 4, 5. Exhibit 5.

Banner Equipment Company, Franklin Park, IL, Banner Beverage Systems Company Tower Dispenser, pp. 1, 2, 3, 4, 5. Exhibit 6.

Multiplex Company, Inc., St. Louis, MO, The Standard of Excellence, Tower Dispenser, pp. 1, 2, 3, 4, 5, 6. Exhibit 7.

Multiplex Company, Inc., St. Louis, MO, BeerMaster by Multiplex, Tower Dispenser, pp. 1, 2, 3. Exhibit 8.

Perlick Corporation, Milwaukee, WI, Perlick Craft Brewers Catalog, Tower Dispenser, p. 14. Exhibit 9.

Primary Examiner—M. N. Pandozzi

Attorney, Agent, or Firm—Vernon C. Maine; Scot J. Asmus

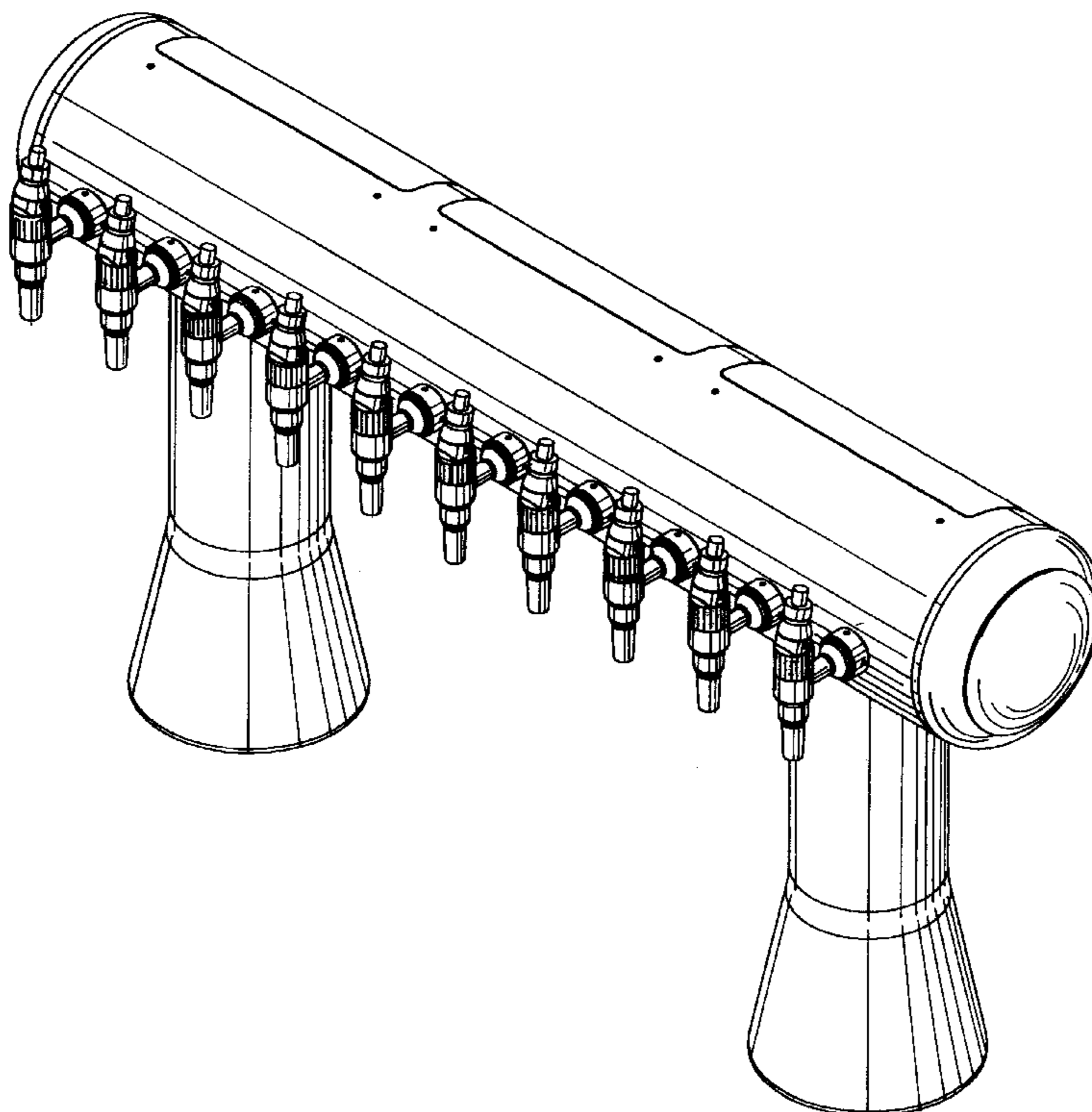
[57] **CLAIM**

The ornamental design for a fluid dispenser twin tower, as shown.

DESCRIPTION

FIG. 1 is an upper-end and angled perspective view of the design feature for a fluid dispenser twin tower;
 FIG. 2 is a right side perspective view thereof;
 FIG. 3 is a left side perspective view thereof;
 FIG. 4 is a front view perspective view thereof;
 FIG. 5 is a rear view perspective view thereof;
 FIG. 6 is a top view perspective view thereof; and,
 FIG. 7 is a bottom view perspective view thereof.

1 Claim, 6 Drawing Sheets



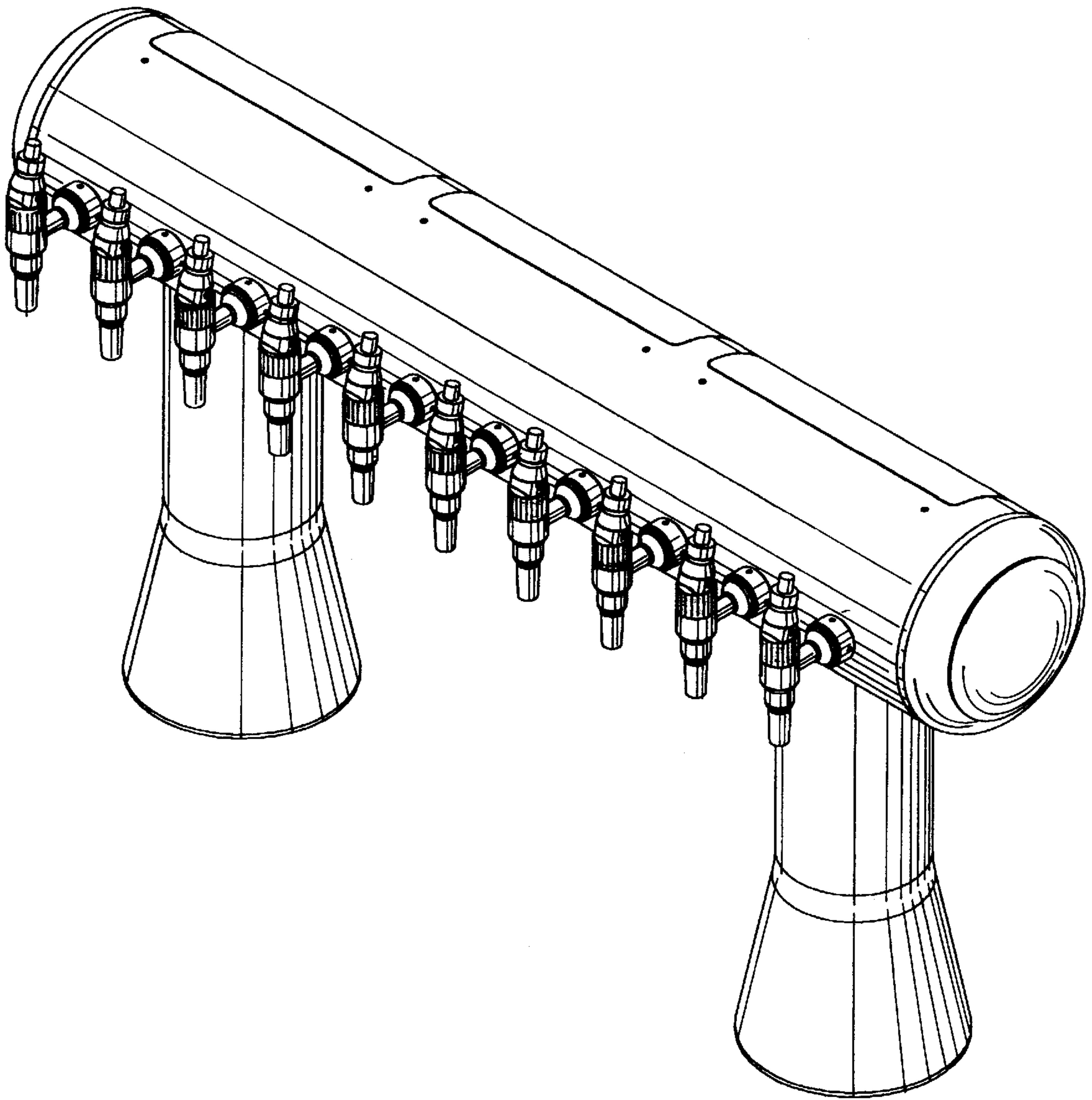


FIG. 1

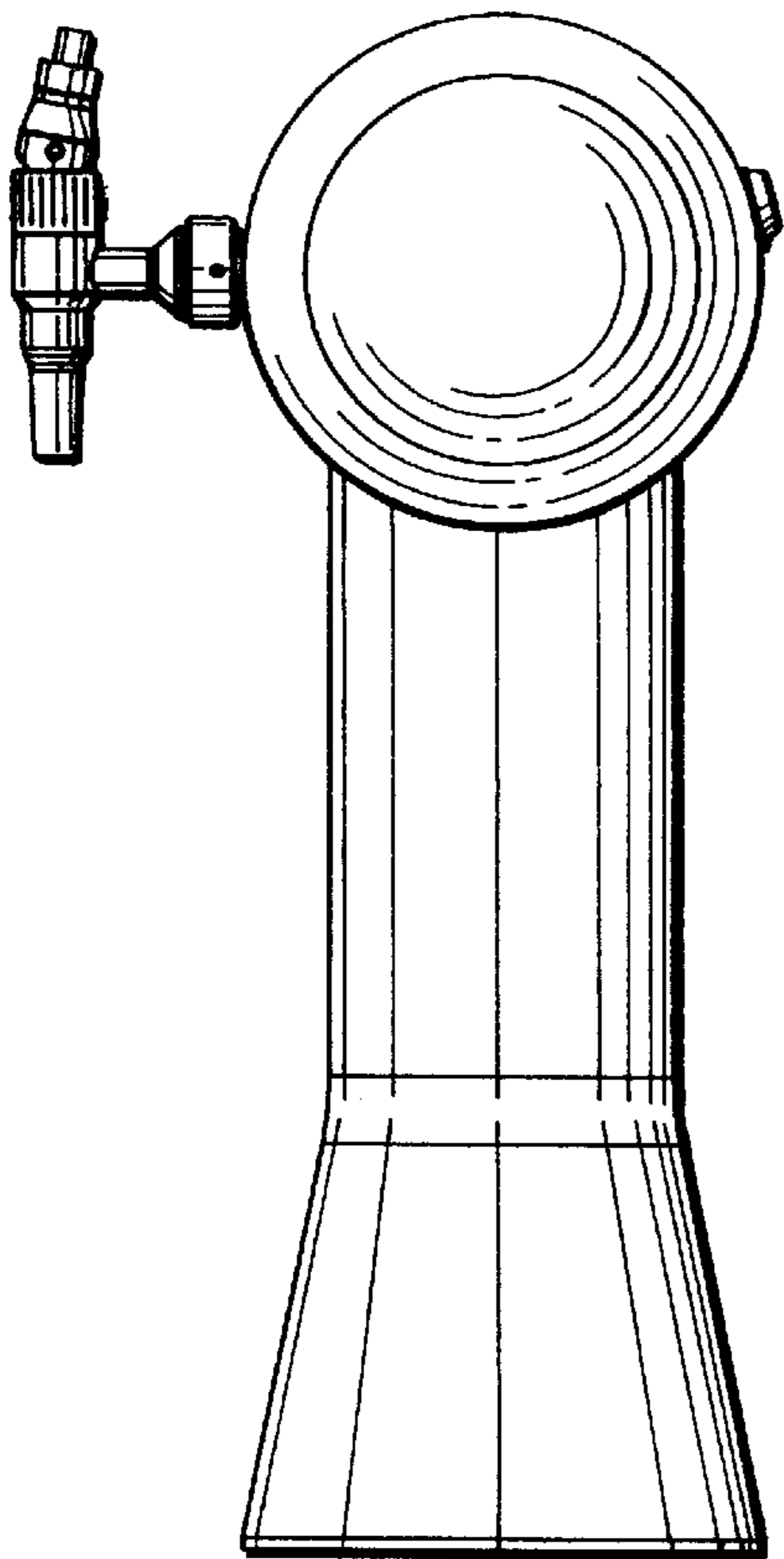


FIG. 2

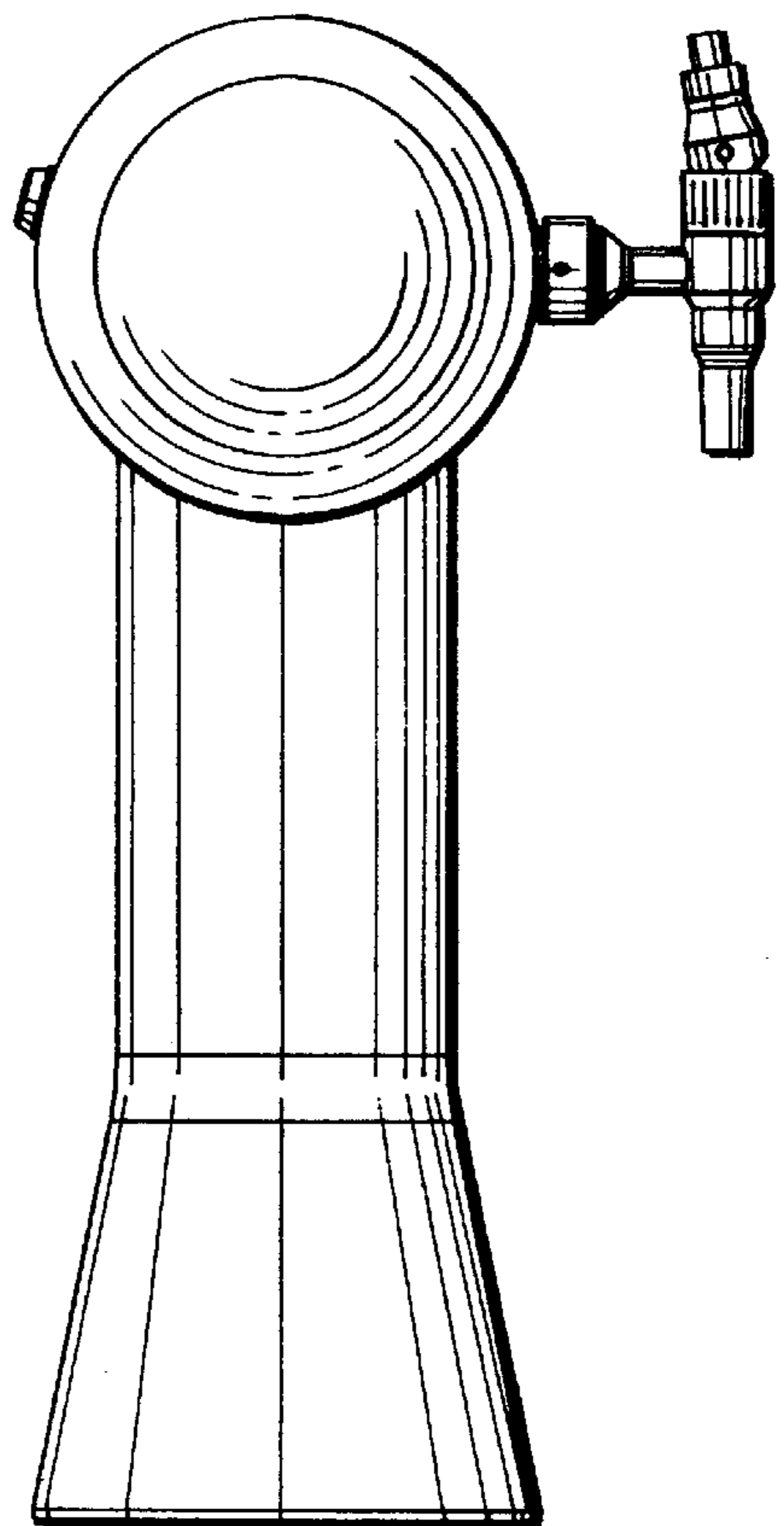


FIG. 3

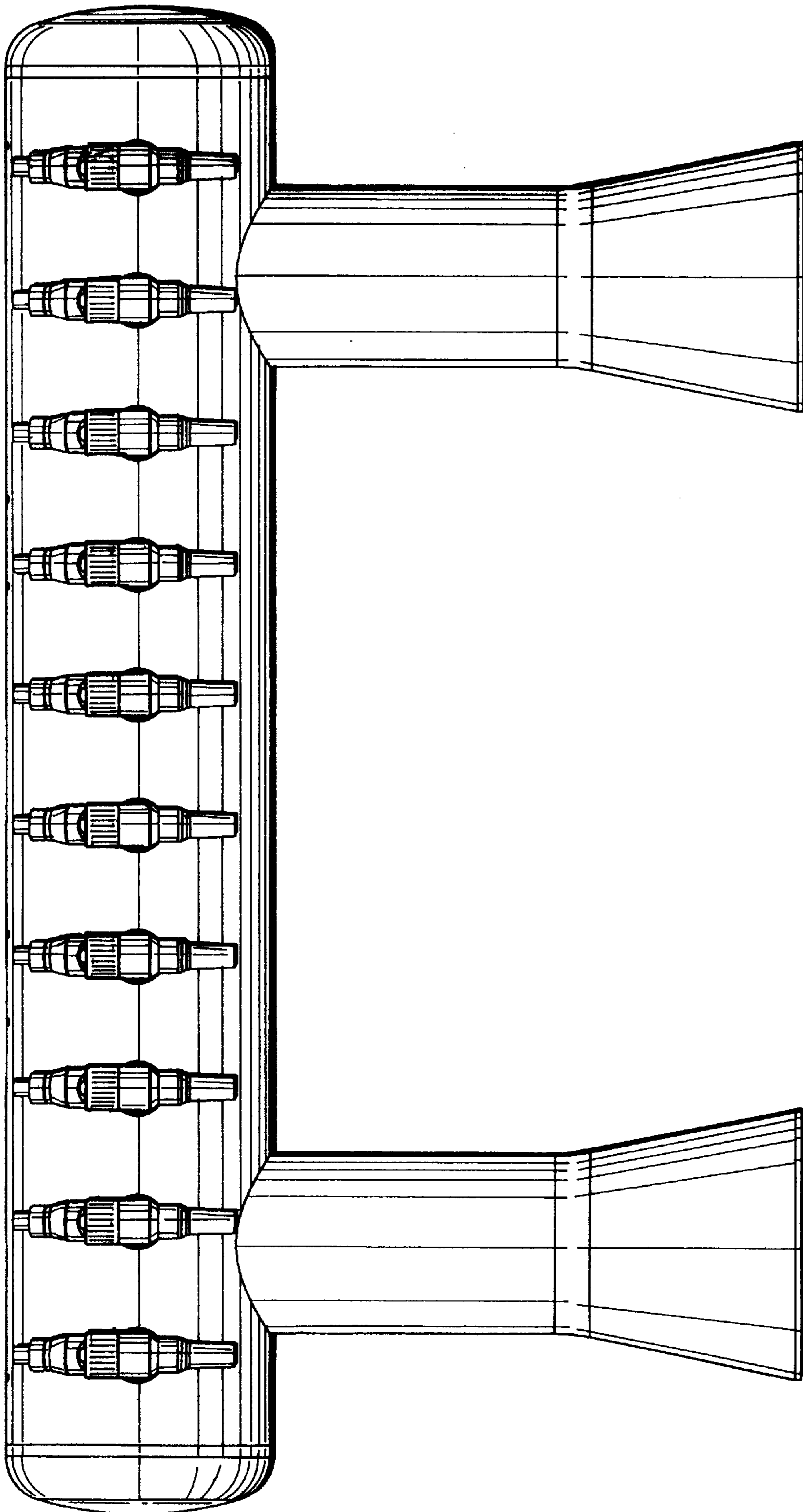


FIG. 4

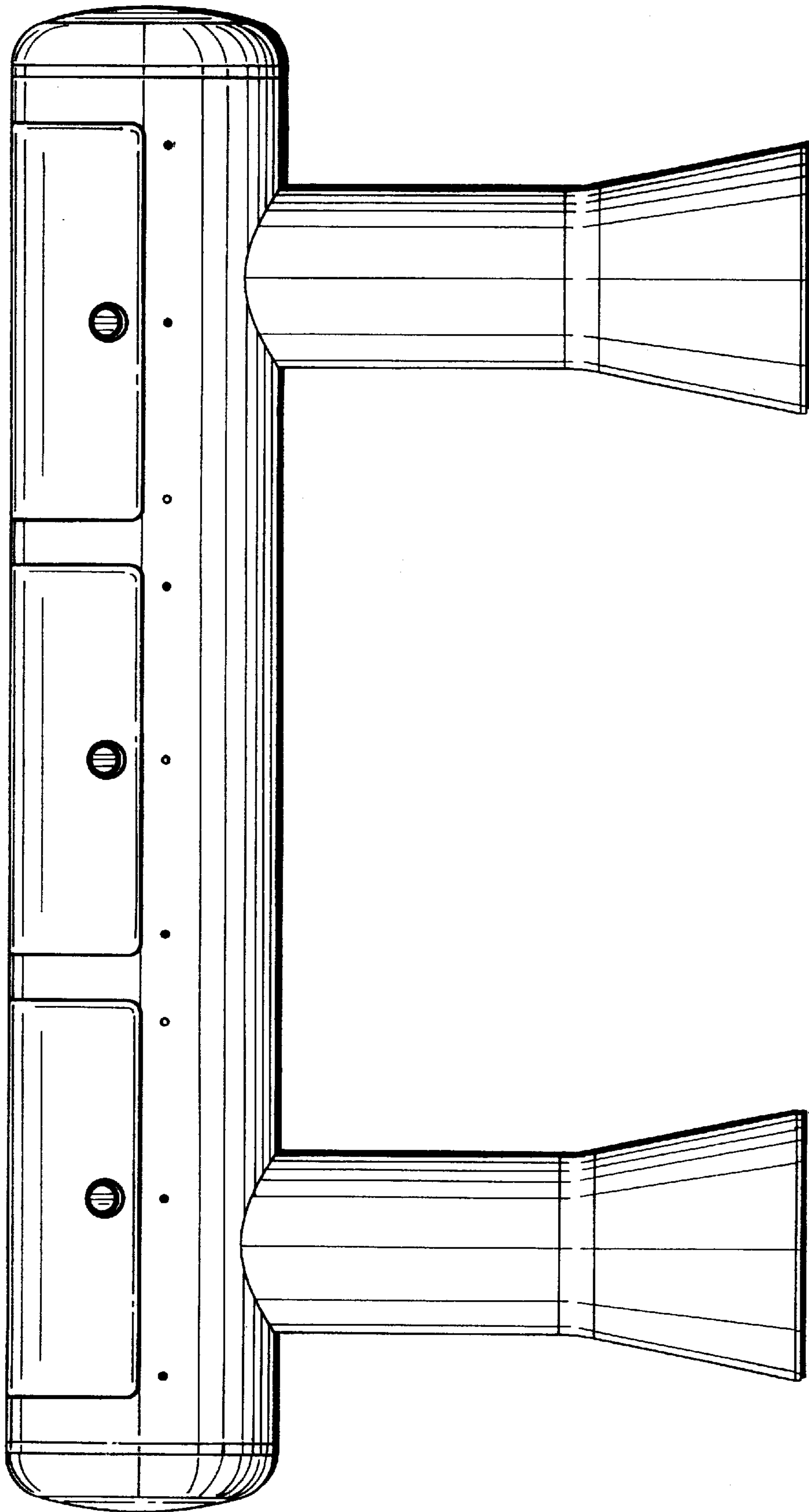


FIG. 5

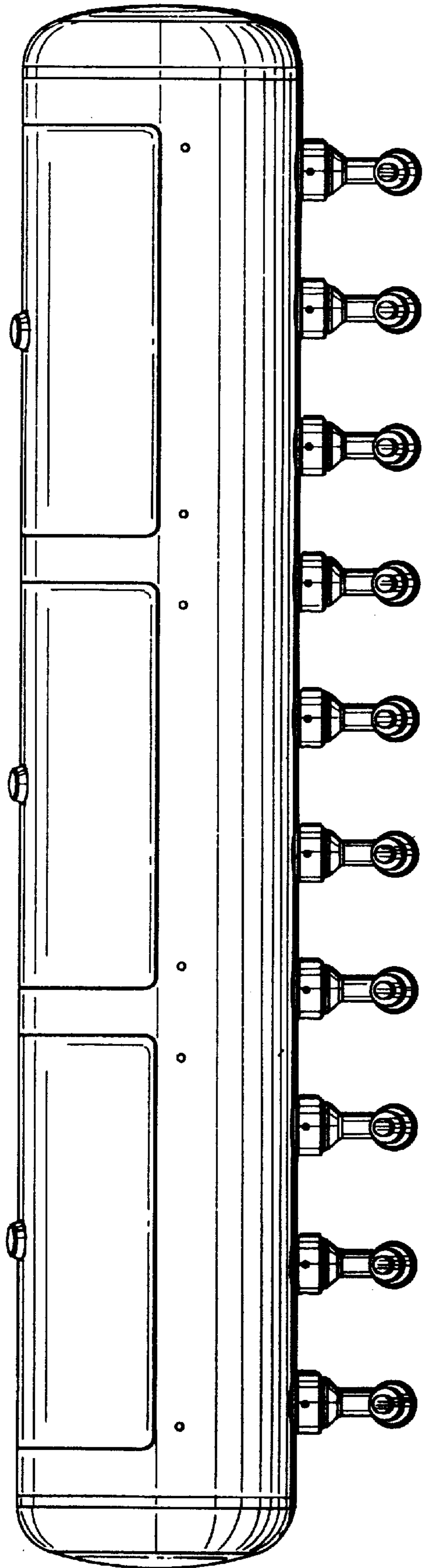


FIG. 6

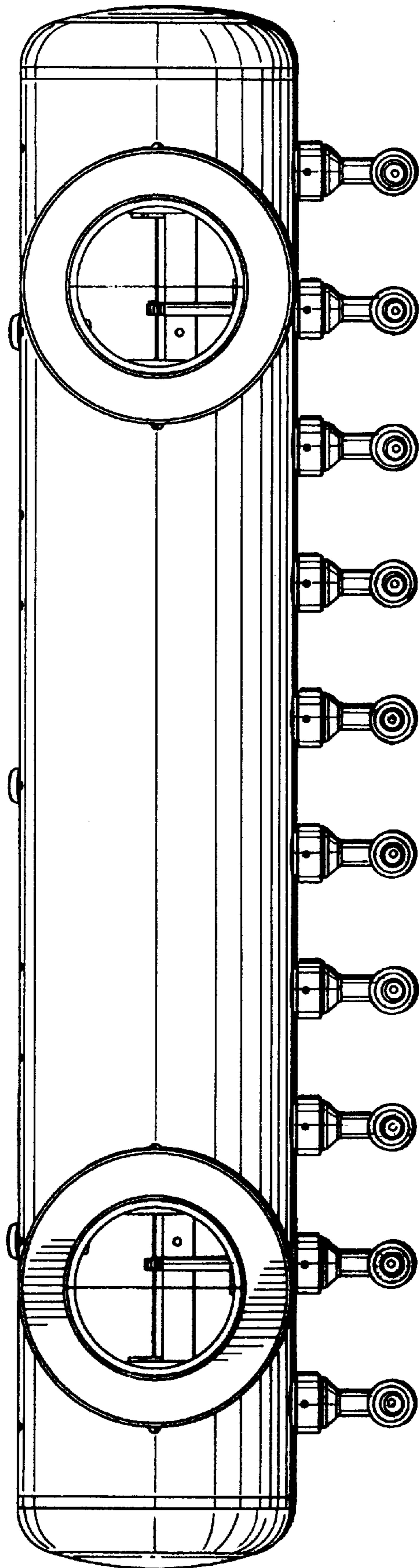


FIG. 7